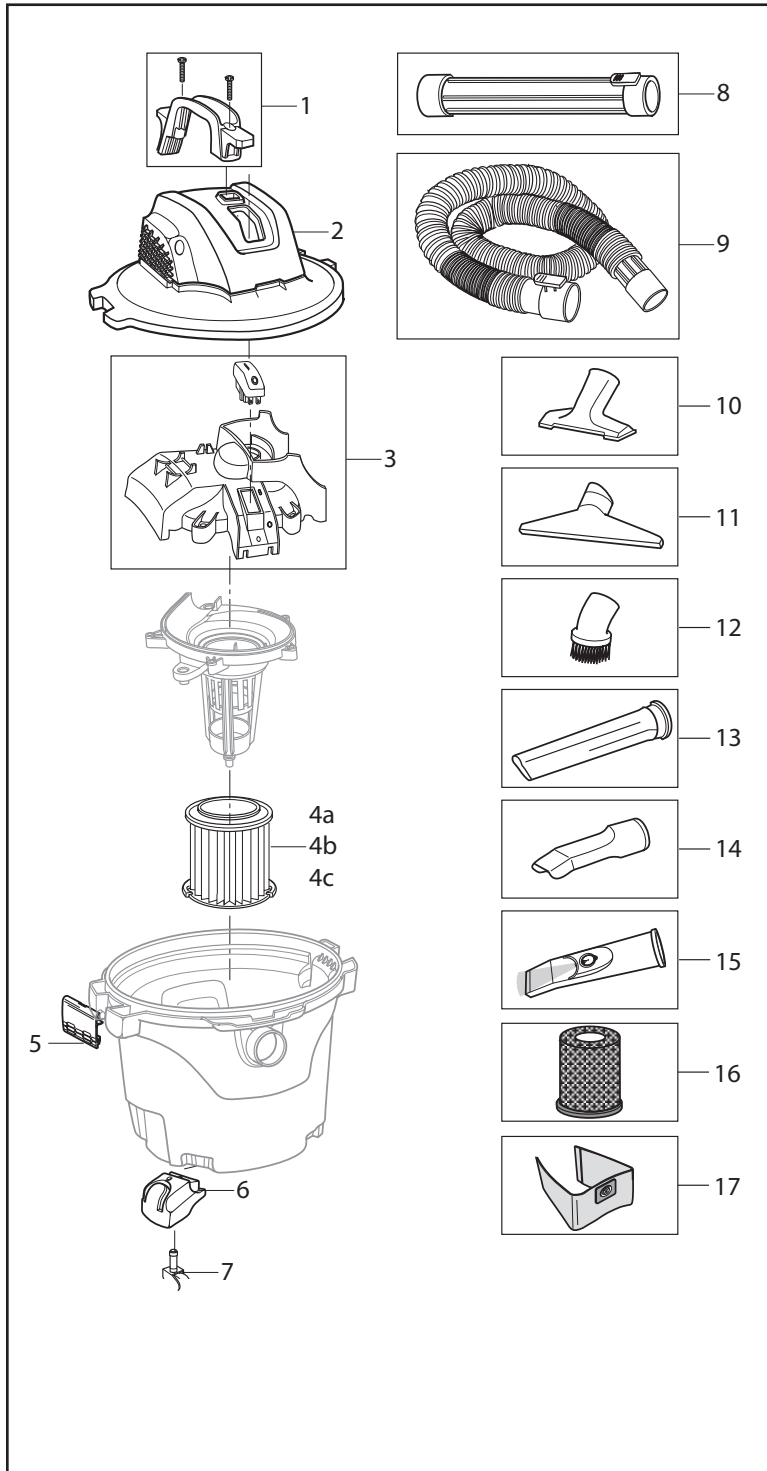


## Model Number HD09000 9 U.S. Gallon (34 Liter) Wet/Dry Vac

Always order by Part Number - Not by Key Number



Key Nos.	6 Gallon HD06000 Part Numbers	Description
1	510625	Carry Handle w/Hardware
2	510629	Powerhead Assembly
3	510630	Rocker Switch & Duct Assembly
4a	VF4000	† Qwik Lock™ Filter
4b	VF5000	† Qwik Lock™ Fine Dust Filter
4c	VF6000	† Qwik Lock™ HEPA Media Filter
5	841700	Drum Latch
6	841174	Caster Foot w/Storage
7	73137	Caster (2" Diameter)
8	VT1708	† Extension Wand
9	VT1720	† Tug-A-Long Positive Locking Hose w/Dual-Flex™
10	VT1709	† Utility Nozzle (1-7/8")
11	VT1710	† Wet Nozzle (1-7/8")
12	VT1701	† Dusting Brush (1-7/8")
13	VT1702	† Crevice Tool (1-7/8")
14	VT1781	† Car Nozzle (1-7/8")
15	VT1739	† LED Lighted Car Nozzle (1-7/8")
16	VF7000	† Wet Filter
17	VF3503	† Dust Collection Bag

† These replacement parts are also available where you purchased your Vac.