



**Pressure Washer
Manufacturing No. 090079409
Item No. PS142012
Replacement Parts List**

OWT INDUSTRIES, INC.

P.O. Box 1427
Anderson, SC 29622 USA
1-877-617-3501
www.powerstroketools.com

POWERSTROKE PRESSURE WASHER – ITEM NO. PS142012

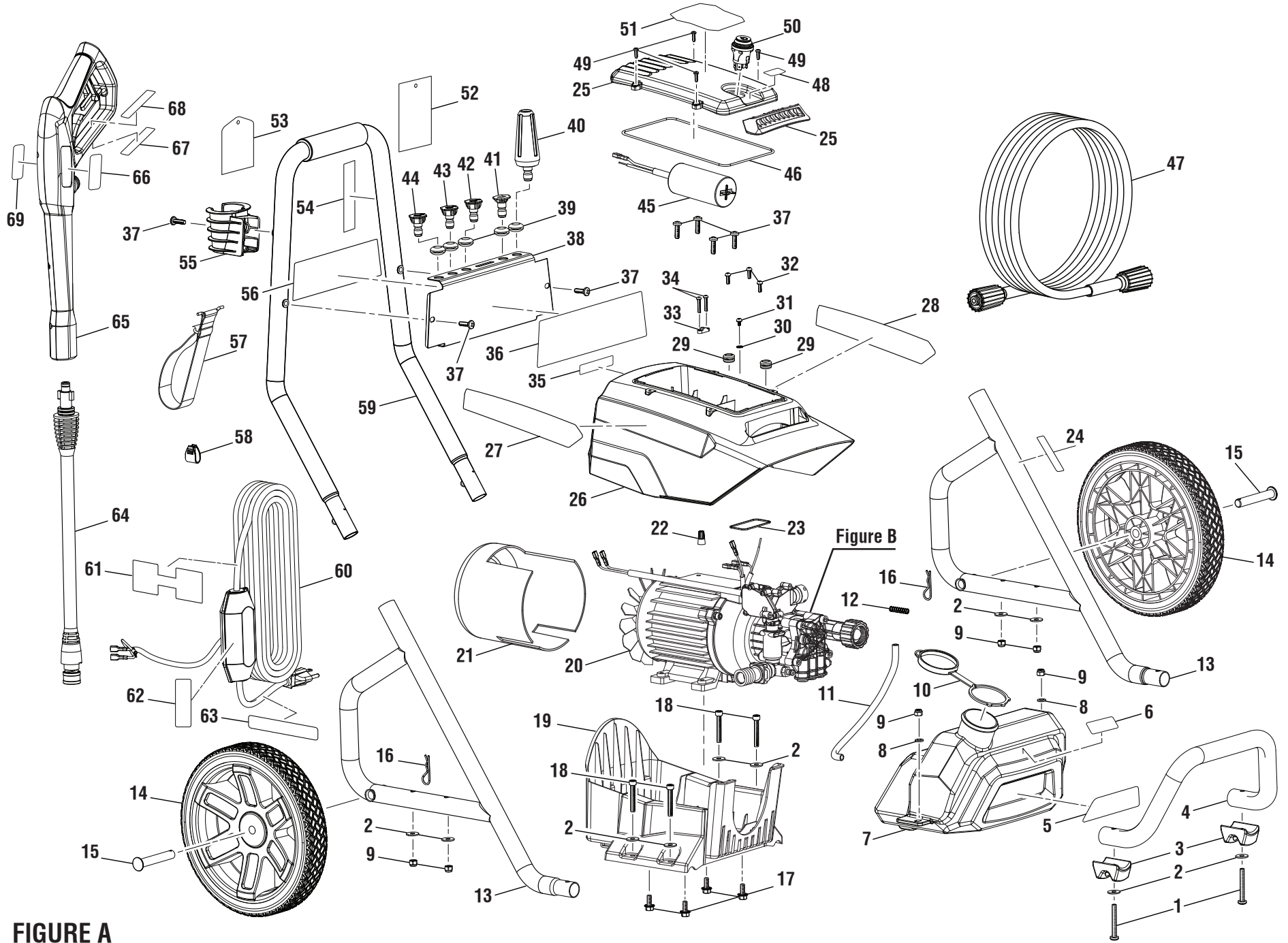


FIGURE A

POWERSTROKE PRESSURE WASHER – ITEM NO. PS142012

The model number will be found on a label attached to the engine. Always mention the model number in all correspondence regarding your **PRESSURE WASHER** or when ordering replacement parts.

KEY NO.	PART NUMBER	DESCRIPTION	QTY	KEY NO.	PART NUMBER	DESCRIPTION	QTY
1	661503015	Screw (M6 x 48 mm, T30 Torx Pan Hd.).....	2	38	638671020	Panel.....	1
2	638128018	Washer (M6).....	10	39	561383004	Rubber Nozzle Grommet.....	5
3	561307007	Rubber Foot.....	2	40	308311014	Turbo Nozzle.....	1
4	308659044	Front Frame.....	1	41	308706013	Soap Nozzle.....	1
5	940851363	Logo Label.....	1	42	308700033	40° Nozzle.....	1
6	941608005	Soap Tank Label.....	1	43	308699034	25° Nozzle.....	1
7	580875029	Soap Tank.....	1	44	308698028	15° Nozzle.....	1
8	678600010	Washer (M6).....	2	45	820270013	Capacitor.....	1
9	678460001	Lock Nut (M6).....	6	46	561383040	Rubber Gasket.....	1
10	522032050	Soap Tank Cap.....	1	47	308835065	Hose (25 ft.).....	1
11	561399009	Chemical Siphon Tube.....	1	48	940851373	On/Off Label.....	1
12	678857020	Compression Spring.....	1	49	661403016	Screw (M4.2 x 15 mm, Pan Hd.).....	4
13	310703029	Frame Assembly.....	2	50	760504018	Switch.....	1
14	308451074	Wheel (10 in.).....	2	51	940851362	Motor Cover Label.....	1
15	620599035	Wheel Axle.....	2	52	918016015	Nozzle Hangtag.....	1
16	678899006	Hitch Pin.....	2	53	940473008	Danger Hangtag (Spanish).....	1
17	661505020	Bolt (M6 x 16 mm, Flange Hex Hd.).....	4	54	940851374	Quick Start Label.....	1
18	660481015	Bolt (M6 x 40 mm, Socket Hex Hd.).....	4	55	519313024	Handle Holder.....	1
19	522038037	Lower Housing.....	1	56	940851367	Danger Label.....	1
20	Note A	Induction Motor/Pump Assembly.....	1	57	308350003	Hose Holder Strap.....	1
21	527405002	Motor Housing.....	1	58	528499001	Cord Clip.....	1
22	870601001	Wire Connector.....	1	59	308582076	Handle Assembly.....	1
23	570449004	Rubber Gasket.....	1	60	290426027	Power Cord Assembly.....	1
24	941486002	Inquires Label.....	1	61	940324032	Cordwrap Warning Label.....	1
25	308760069	Upper Housing Assembly.....	1	62	940603006	Plug Label.....	1
26	522032049	Motor Shroud.....	1	63	940654338	Outlet Cord Wrap Label.....	1
27	940851365	Side Label (Right).....	1	64	308494075	Spray Wand.....	1
28	940851366	Side Label (Left).....	1	65	308760059	Trigger Handle Assembly.....	1
29	561383028	Rubber Grommet.....	2	66	940324040	Trigger Handle Warning Label.....	1
30	638454005	Washer (M4).....	1	67	940904003	Trigger Handle Rating Label.....	1
31	660481028	Screw (M4 x 16 mm, Pan Hd.).....	1	68	940654228	Trigger Handle Warning Label (French/Spanish).....	1
32	660481027	Bolt (M4 x 12 mm, Pan Hd.).....	3	69	940786058	Trigger Handle Warning Logo Label.....	1
33	522051003	Cord Clamp.....	1				
34	661610008	Screw (M3.5 x 20 mm, Pan Hd.).....	2		Not Shown:		
35	940617192	Try Another Outlet Label.....	1		995000530	Operator's Manual	
36	940851364	Performance Label.....	1		995000531	Quick Start Guide	
37	660481019	Bolt (M6 x 20 mm, Pan Hd.).....	7				

NOTE A: Techtronic Industries Power Equipment, Inc. will not provide a complete motor/pump as a replacement part. Contact our service department for assistance.

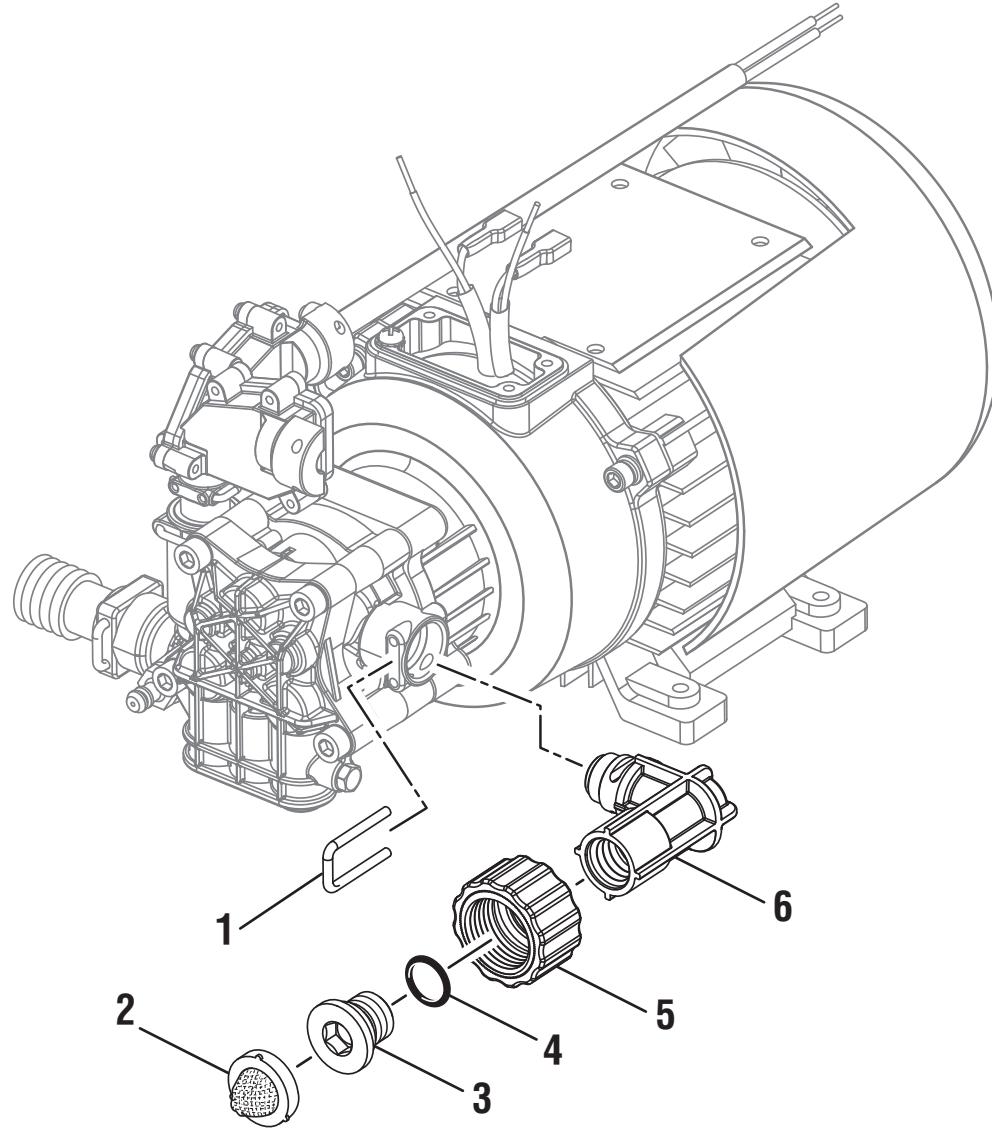


FIGURE B

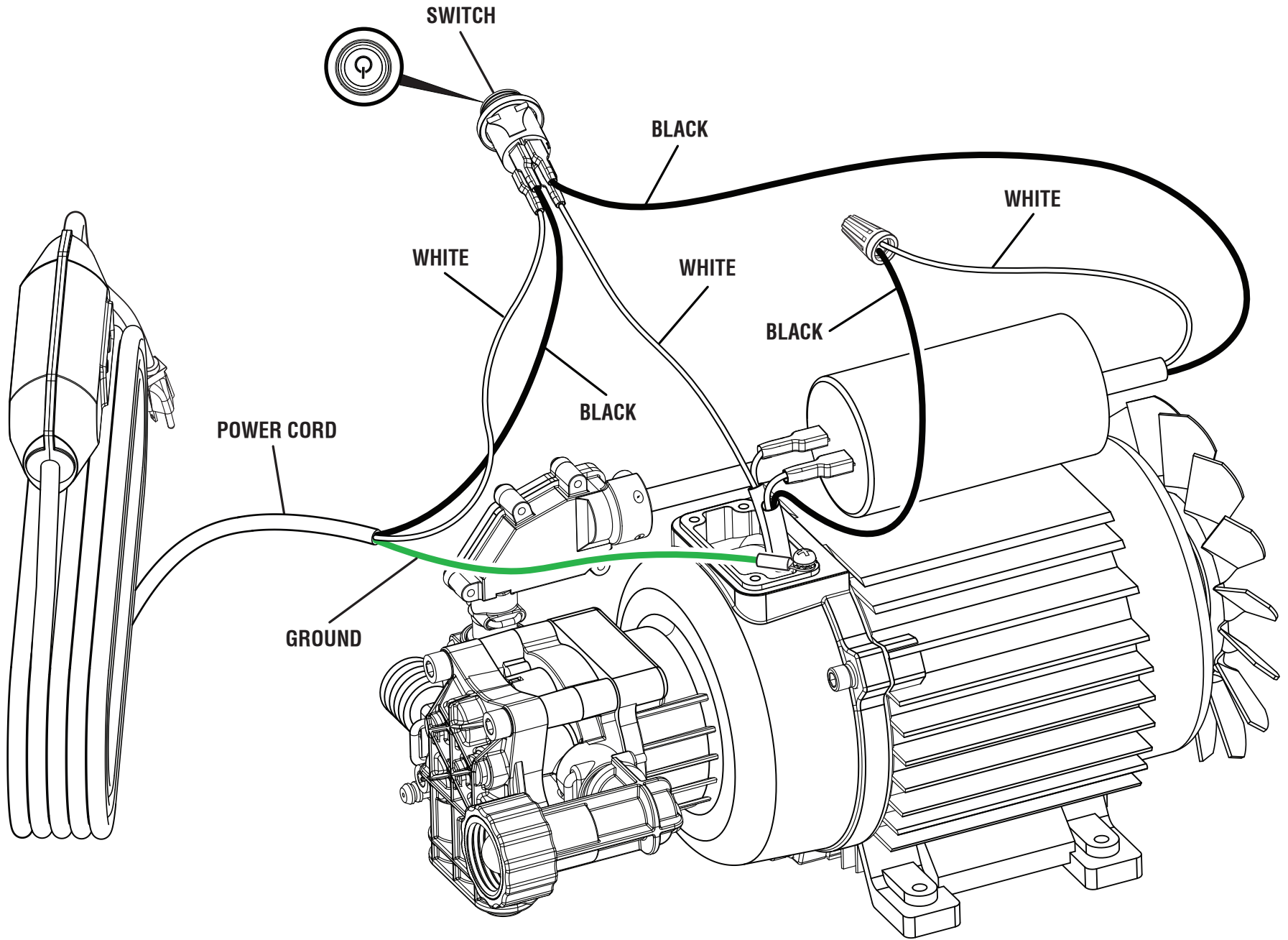
POWERSTROKE PRESSURE WASHER – ITEM NO. PS142012

The model number will be found on a plate attached to pump housing. Always mention the model number in all correspondence regarding your **PRESSURE WASHER** or when ordering replacement parts.

FIGURE B PARTS LIST

KEY NO.	PART NUMBER	DESCRIPTION	QTY
1	678799013	“U” Clip	1
2	308103009	Water Inlet Filter	1
3	310422002	Water Inlet Screw Nut	1
4	570768004	O-Ring.....	1
5	310423002	Water Inlet Connector	1
6	642650001	Inlet Tube.....	1

POWERSTROKE PRESSURE WASHER – ITEM NO. PS142012



WIRING DIAGRAM