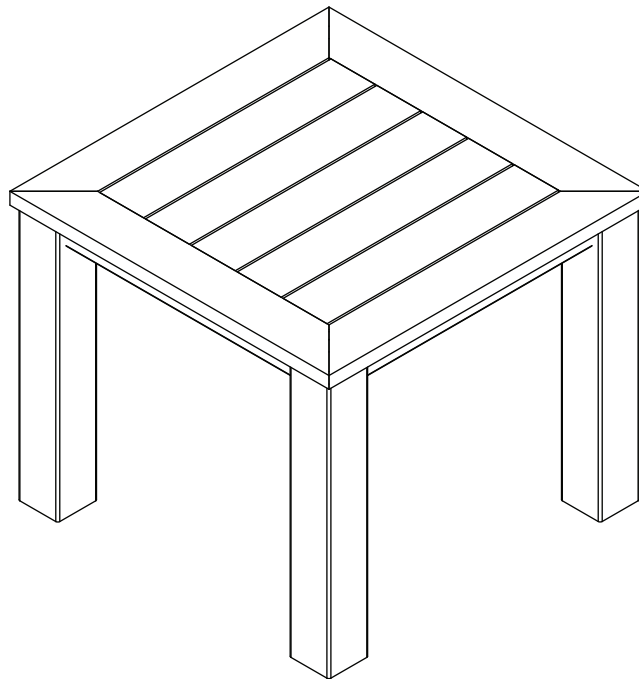




Item # 739 208
Model # FTA30283D

USE AND CARE GUIDE

TACANA 32 IN. TABLE



Questions, problems, missing parts? Before returning to the store
call Hampton Bay Customer Service.
8 a.m. - 7 p.m., EST, Monday - Friday, 9 a.m. - 6 p.m., EST, Saturday

1-855-HD-HAMPTON

HAMPTONBAY.COM

THANK YOU

We appreciate the trust and confidence you have placed in Hampton Bay through the purchase of this table. We strive to continually create quality products designed to enhance your home. Visit us online to see our full line of products available for your home improvement needs. Thank you for choosing Hampton Bay!

Table of Contents

Table of Contents	2	Planning Assembly	3
Safety Information	2	Hardware Included	3
Product Caution	2	Package Contents.....	4
Safety Warnings	2	Assembly.....	5
Warranty	2	Care and Cleaning.....	9
What is Covered	2		
What is Not Covered	2		
Pre-Assembly	3		

Safety Information

PRODUCT CAUTION

This table was made for the explicit purpose of providing outdoor functions and is not to be used as a toy. This product is intended for normal outdoor use; however, the manufacturer recommends storing and / or covering this table when any formidable / severe weather is approaching. Do not locate this product near open flames. Do not use this product as a support. Do not shake, lean or climb on the product. Children under the age of 10, near the product, should be supervised by a competent adult at all times. This product is NOT intended for commercial use and will void the warranty.

SAFETY WARNINGS



WARNING: Do not place heavy objects on the table top.



CAUTION: When not in use, secure the product in a cool and covered location.



WARNING: Please keep children out of the assembly area before assembly.

Warranty

2 YEAR FRAME

WHAT IS COVERED

We warrant the frames to be free of manufacturing defects to the original purchaser for two years.

WHAT IS NOT COVERED

It remains the customer's responsibility for freight and packaging charges to and from our service center. This warranty does not cover commercial use, hardware, acts of nature, fire, freezing and abusive use. In addition, purchased parts are not covered under this warranty. We reserve the right to make substitutions with similar merchandise, if the model in question is no longer in production.

Contact the Customer Service Team at 1-855-HD-HAMPTON or visit www.HamptonBay.com.

Pre-Assembly

PLANNING ASSEMBLY

Read all instructions before assembly.

To avoid damaging this product, assemble it on a soft, non-abrasive surface such as carpet or cardboard.



NOTE: More than one person may be required to assemble this product.

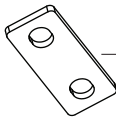
HARDWARE INCLUDED



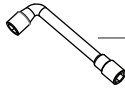
NOTE: Hardware not shown to actual size.



AA



BB



CC



DD

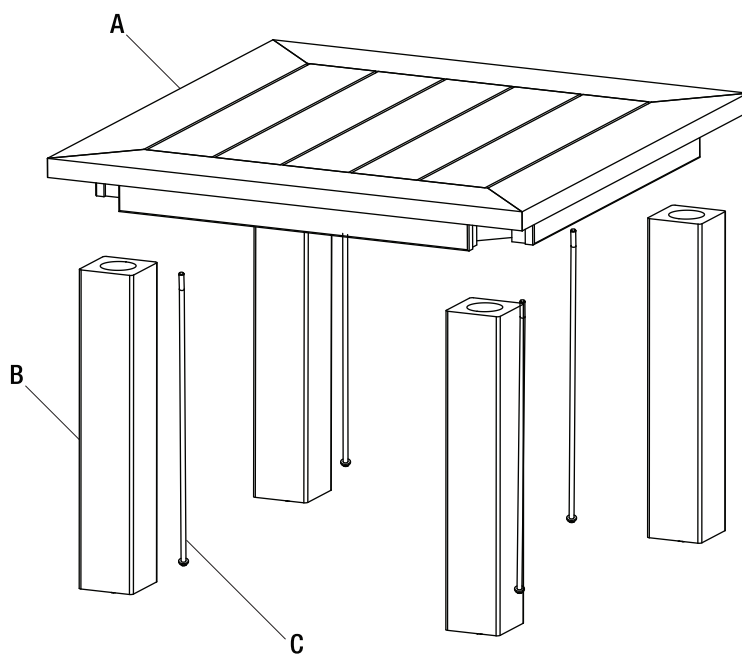


EE

Part	Description	Quantity
AA	M8x90 hex combination bolt and nut	8+1
BB	Metal sheet	4+1
CC	Wrench	1
DD	M8 washer	4+1
EE	Adjustable feet	4

Pre-Assembly (continued)

PACKAGE CONTENTS

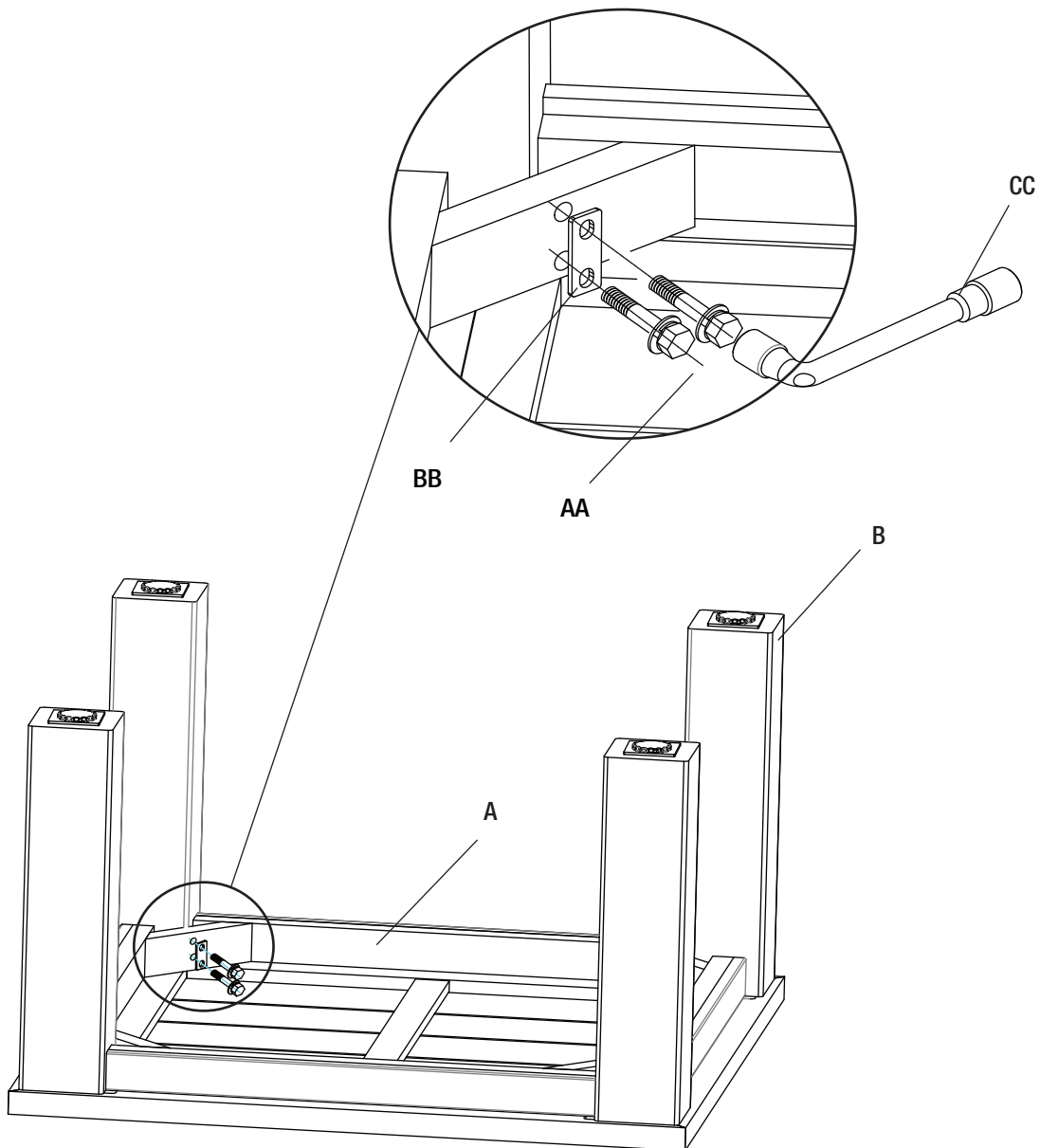


Part	Description	Quantity
A	Table top	1
B	Table leg	4
C	Long bolt	4

Assembly

1 Attaching the table legs to the table top

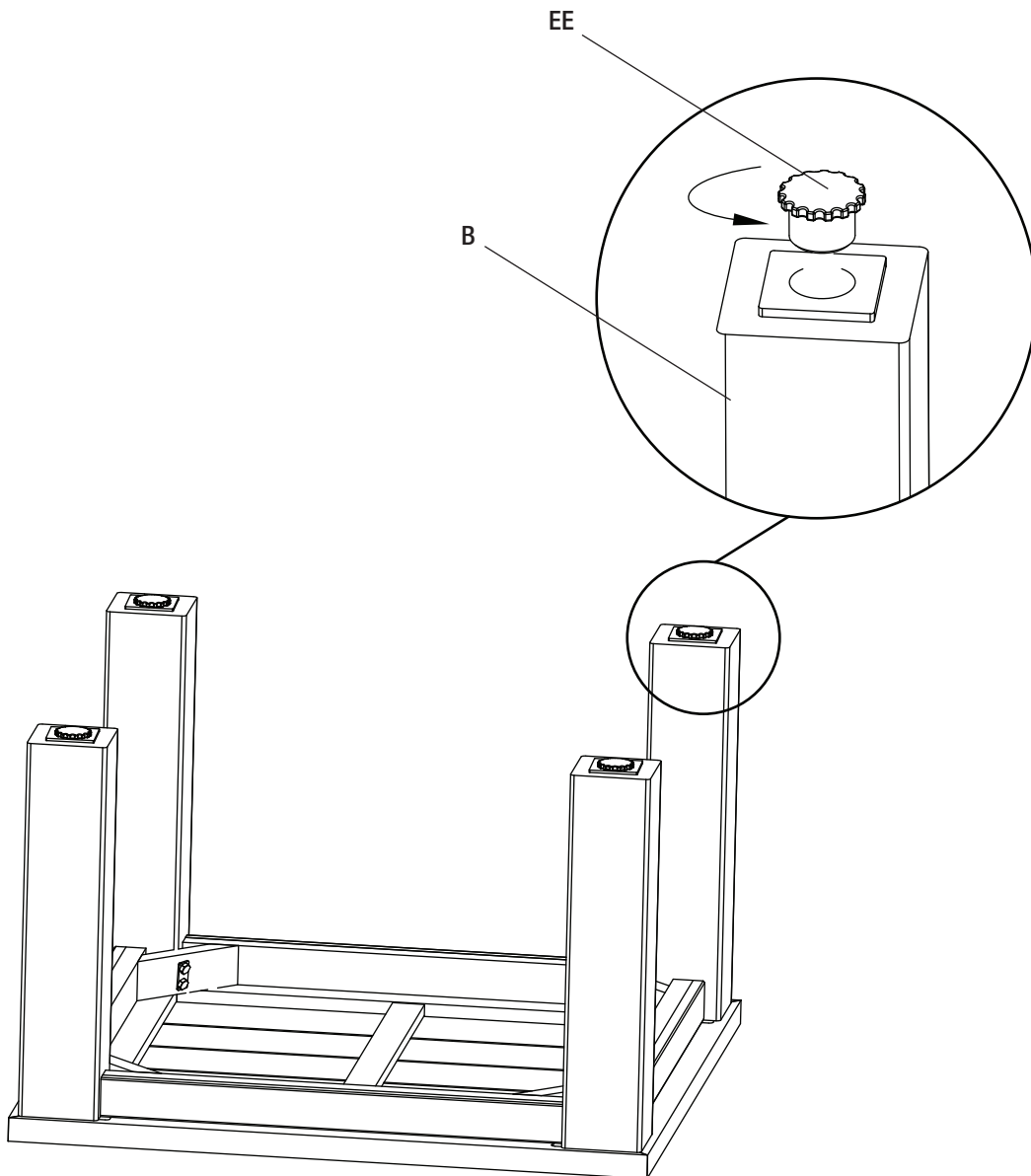
- Place the table top (A) upside down on a soft surface.
- Attach the table legs (B) to the table top (A) using M8x90 hex combination bolts (AA), the metal sheets (BB) and the wrench (CC).



Assembly (continued)

2 Removing the adjustable feet from the table legs

- Remove the adjustable feet (EE) from the table legs (B) by rotating in the counterclockwise direction.



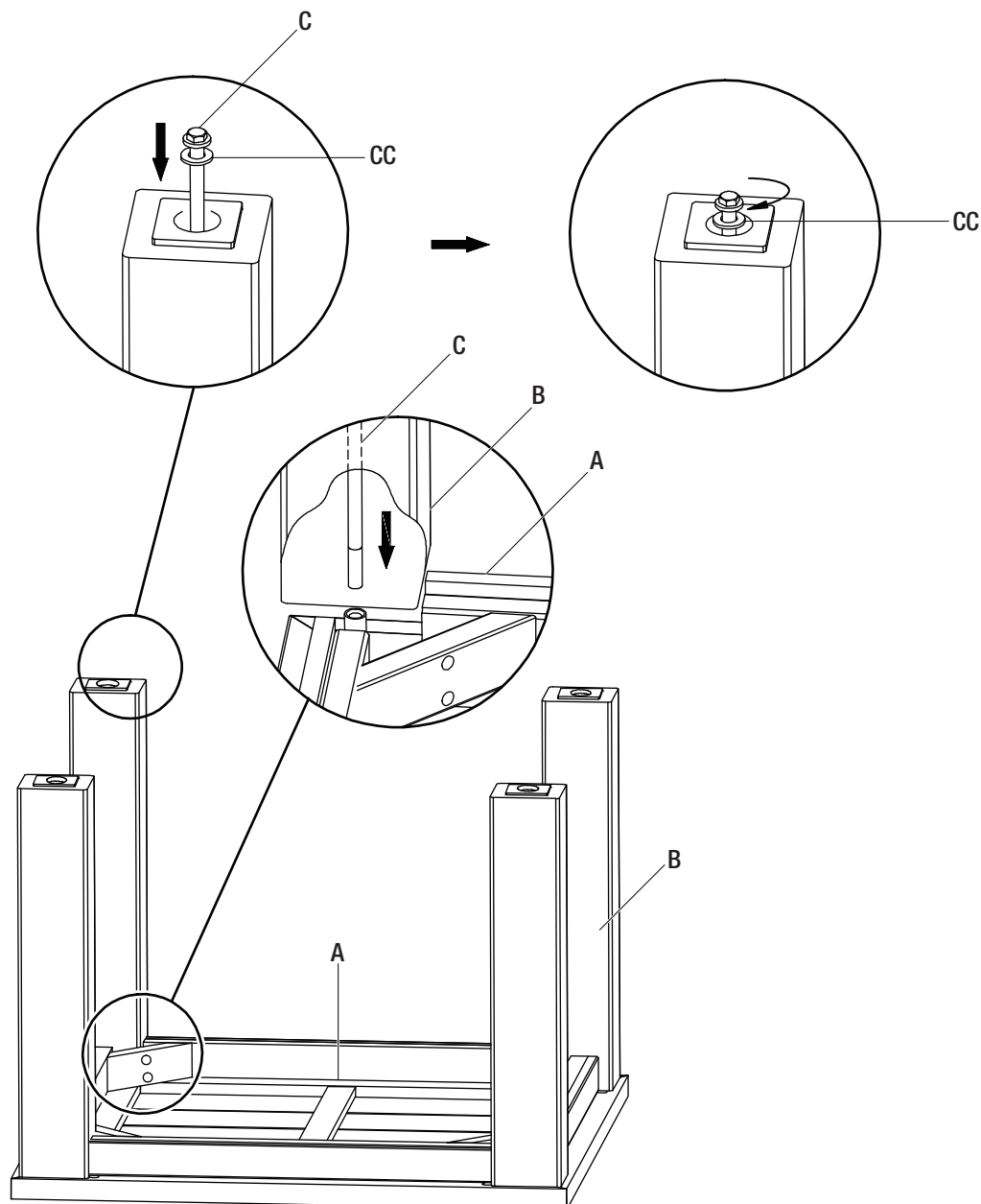
Assembly (continued)

3 Inserting the long bolts into the table legs and the table top

- Ensure the table legs (B) are correctly aligned with the corners of the table top (A).
- Insert the long bolts (C) through the M8 washers (DD) and into the table legs (B).
- Attach the long bolts (C) to the table top (A) using the wrench (CC).



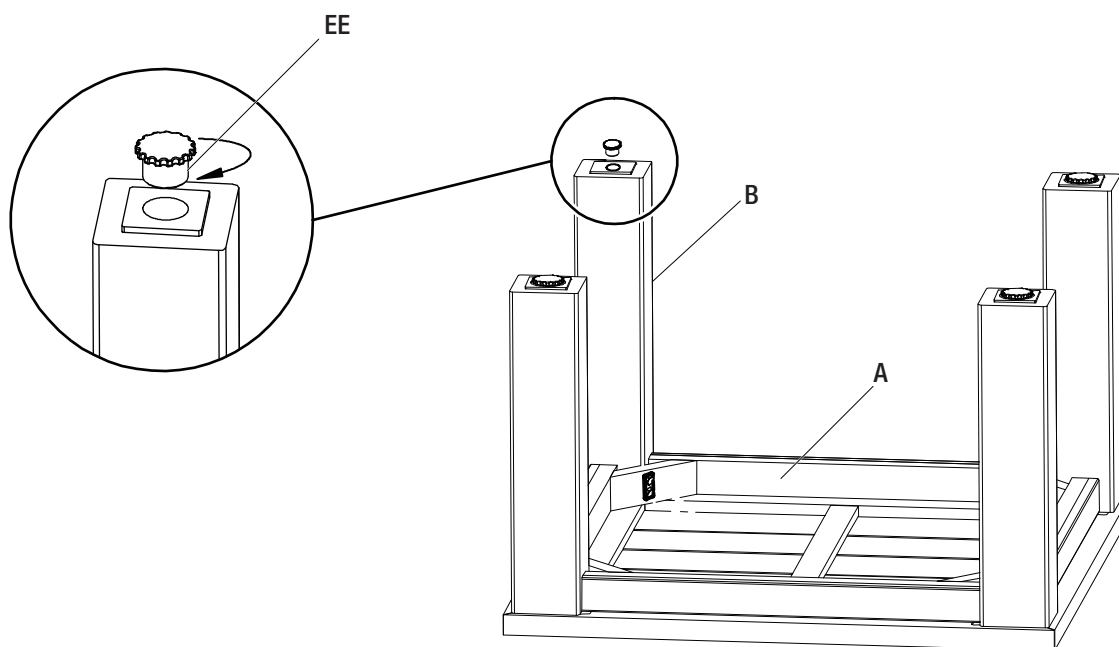
NOTE: Loosely tighten all the bolts using the wrench (CC).



Assembly (continued)

4 Tightening the bolts and attaching the adjustable feet to the table legs

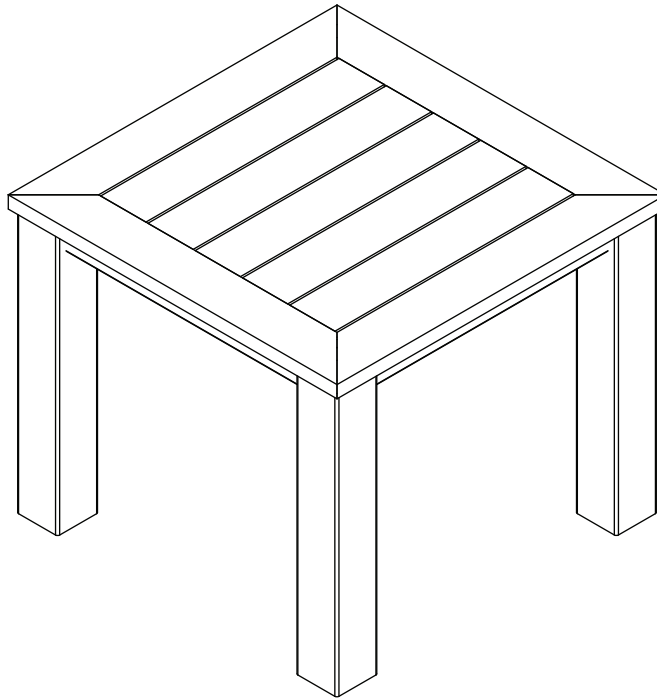
- Once all of the bolts are in place, fully tighten the bolts.
- Attach the adjustable feet (EE) to the table legs (B) by rotating in the clockwise direction.



Assembly (continued)

5 Checking the table

- Turn the table right side up.
- Ensure all connections are secure before use.



Care and Cleaning

- For best results, clean the frame and dry thoroughly. This will help prevent mildew by removing dirt particles that may accumulate.
- Do not clean with abrasive materials, bleach, or solvents.
- Store the table in a dry, sheltered place when not in use.
- Keep the table away from fire, extreme heat, freezing conditions, and inclement weather such as rain, hail, sleet, snow, or wind.



Questions, problems, missing parts? Before returning to the store,
call Hampton Bay Customer Service.
8 a.m. - 7 p.m., EST, Monday - Friday, 9 a.m. - 6 p.m., EST, Saturday

1-855-HD-HAMPTON

HAMPTONBAY.COM

Retain this manual for future use.