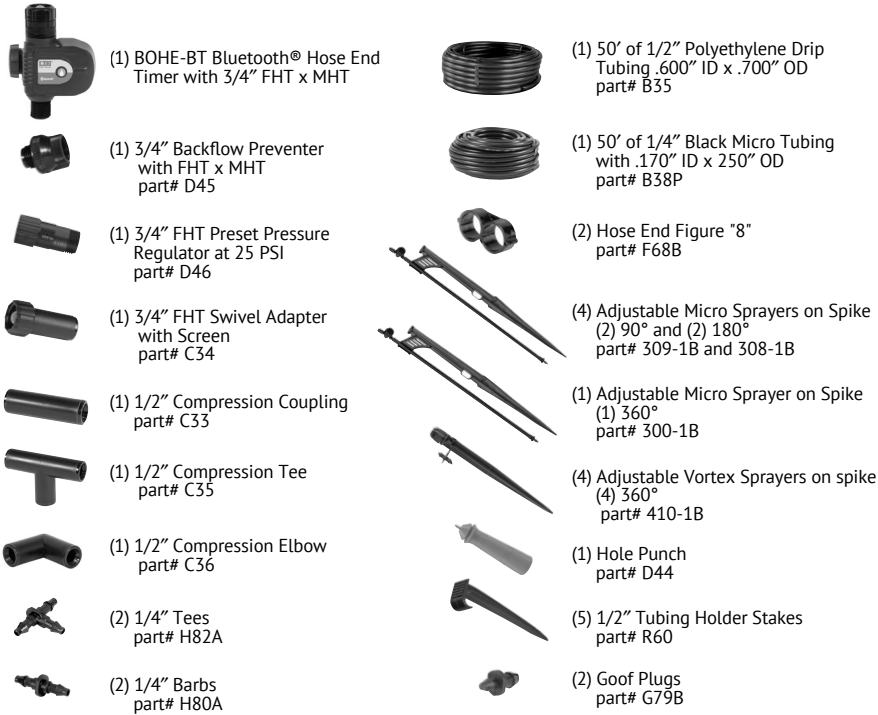


## CONTENTS



## DIG CORPORATION THREE-YEAR WARRANTY

DIG CORPORATION warrants these products to be free from defects in material and workmanship for a period of three years from date of purchase. This warranty does not cover damage resulting from accident, misuse, neglect, modification, improper installation or subject to line pressure in excess of 50 lbs. per square inch. This warranty shall extend only to the original purchaser of the product for use by the purchaser. This warranty shall not cover batteries or any malfunction of the product due to battery failure. The obligation of DIG CORPORATION under this warranty is limited to repairing or replacing at its factory this product which shall be returned to the factory within three years after the original purchase and which on examination is found to contain defects in material and workmanship.

DIG CORPORATION SHALL IN NO EVENT BE LIABLE FOR ANY INCIDENTAL OR CONSEQUENTIAL DAMAGES OF ANY KIND; THE SOLE OBLIGATION OF DIG IS LIMITED TO REPAIR OR REPLACEMENT OF DEFECTIVE PRODUCTS. SOME STATES DO NOT ALLOW THE EXCLUSION OR LIMITATION OF INCIDENTAL OR CONSEQUENTIAL DAMAGES, SO THE ABOVE LIMITATION OR EXCLUSION MAY NOT APPLY TO YOU.

Unattended use for prolonged periods without inspection to verify proper operation is beyond the intended use of this product, and any damage resulting from such use shall not be the responsibility of DIG CORPORATION. There are no warranties which extend beyond the description on the face hereof. In the case of purchase of the product for use other than, for irrigation purposes, DIG CORPORATION hereby disclaims any implied warranties including any warranties of merchantability and fitness for a particular purpose. In the case of the purchase of the product for personal, family or household purposes, DIG CORPORATION disclaims any such warranties to the extent permitted by law. To the extent that any such disclaimer or implied warranties shall be ineffectual, then any implied warranties shall be limited in duration to a period of one year from the date of the original purchase for use by the purchaser. Some states do not allow limitation on how long an implied warranty lasts, so the above limitation may not apply to you. In order to obtain performance under this warranty, the unit must be returned to the factory, along with proof of purchase indicating original date of purchase, shipping prepaid, addressed as follows:

DIG CORPORATION, 1210 Activity Drive, Vista, CA 92081. Repaired or replaced units will be shipped prepaid to the name and address supplied with the unit returned under warranty. Allow four weeks for repairs and shipping time. Repair of damaged units not otherwise within warranty may be refused or done at a reasonable cost or charge at the option of DIG CORPORATION. This warranty gives you specific legal rights, and you may also have other rights which vary from state to state.

1.800.322.9146 | FAX: 760.727.0282



1210 Activity Drive  
Vista, CA 92081-8510

www.digcorp.com  
dig@digcorp.com



Printed in the USA. We at DIG strongly believe in conservation. Please recycle whenever possible. 102919 REVA 26-042



## INSTALLATION INSTRUCTIONS

### Automatic Micro Sprayer Watering Kit with Bluetooth® Timer

### Model MST550

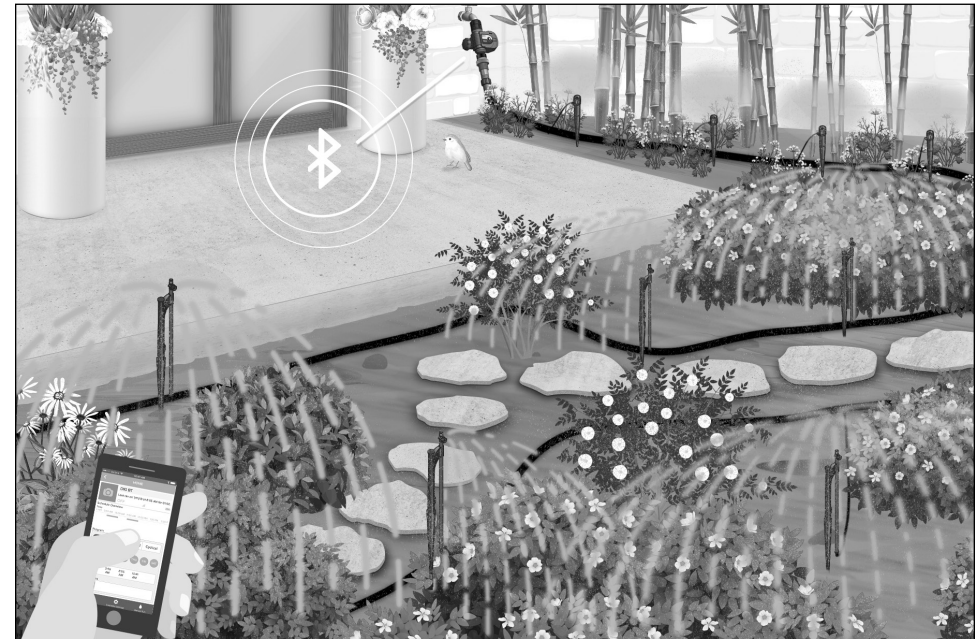
#### INTRODUCTION

Thank you for purchasing the DIG Model MST550 Automatic Micro Sprayer Watering Kit with Bluetooth Timer. Please take the time to read through the enclosed instructions and follow them step by step. If you have any questions, please call our customer service line at 1.800.344.2281.

#### ABOUT YOUR MST550 KIT

Let your landscape thrive with this complete drip watering kit that connects to any outdoor faucet. The MST550 starter kit includes DIG's micro sprayers and contains all the parts needed to irrigate up to 550 square feet. Use these guidelines to design and install an efficient low-volume irrigation system that conserves water and promotes a healthy environment.

#### INSTALLATION



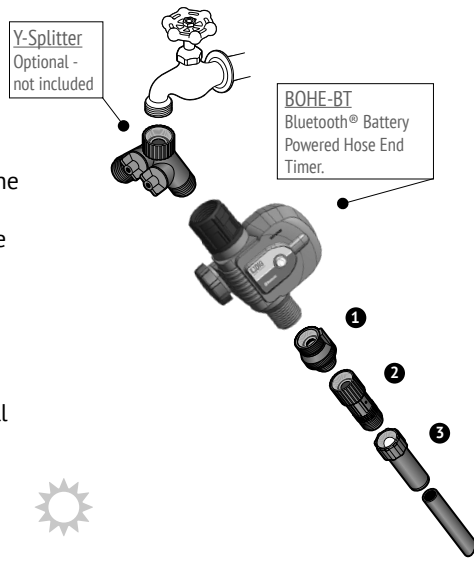
To start the installation, install two new AA alkaline batteries into the BOHE-BT timer and download the free DIG BTT app to your smart phone or other smart device.



The timer can be programmed through the app before or after the system is installed. To program the timer, please follow the timer programming instructions included with the kit.

## Faucet connection and Head Assembly

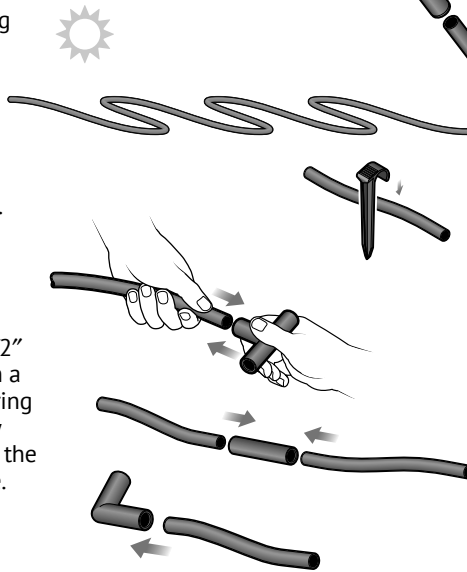
Begin by connecting the timer to the outdoor faucet by turning the female inlet of the timer clockwise until it is "hand tight". Then attach the backflow preventer ① to the hose end timer, and attach the 25-PSI preset pressure regulator ② to the backflow preventer. Connect the poly tubing to the 3/4" swivel adapter ③ and attach it to the pressure regulator by turning clockwise until "hand tight". Do not overtighten.



## Drip tubing layout

Before installing the 1/2" poly tubing, uncoil the roll and lay it out in direct sunlight (if possible) for 30 to 40 minutes. This will make it more pliable and easier to work into the compression fittings during installation.

Lay out the 1/2" poly tubing and run it next to as many plants as possible. Secure the tubing to the soil with the 1/2" drip tubing stakes. Install the poly tubing in a gentle S curve to allow for contraction at low to high temperatures.



## Connect the 1/2" drip fittings

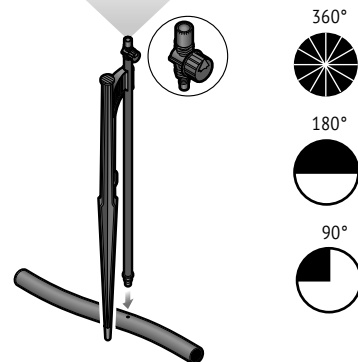
Use 1/2" tees (part #C35) and elbows (part #C36) throughout the layout as needed. To install the 1/2" compression drip fittings, cut the poly tubing with a hand pruner, being careful to keep dirt from entering the line. Hold the fitting in one hand and the poly tubing in the other and force the poly tubing into the compression fitting by moving it from side to side.

**Note:** Open the faucet and flush out the poly tubing through the ends before installing the drip emitters.

## Adjustable micro sprayer on spike installation

1. Set the micro sprayers in the desired locations. Place the 360° micro sprayers in the center of the planted areas, and the 180° micro sprayers on the perimeter. The 90° sprayers should be installed in any corner spots if necessary. For full coverage, space the adjustable micro sprayers 8" to 12" apart.

2. Punch a hole in the poly tubing with the punch tool and push the barb of the micro sprayer assembly into the hole. Push the spike into the soil, 3" to 4" deep at the desired location and raise to adjust the poly riser.



## Adjustable 360-degree vortex micro sprayer installation

1. Set the 360-degree vortex micro sprayers in the desired locations with individual or small groups of plants. Place the 360° vortex micro sprayers in the center of the planted areas or about a foot from an individual plant.

2. Uncoil the 1/4" micro tubing and lay it out from the 1/2" poly tubing to the vortex micro sprayer and cut it to the desired length.

3. Insert a 1/4" barb into the end of the 1/4" micro tubing, punch a hole in the poly tubing with the punch tool, and push the barb into the hole.

4. Connect the barb on the vortex micro sprayer to the end of the micro tubing and push the stake into the soil at the desired location, 2" to 3" deep.

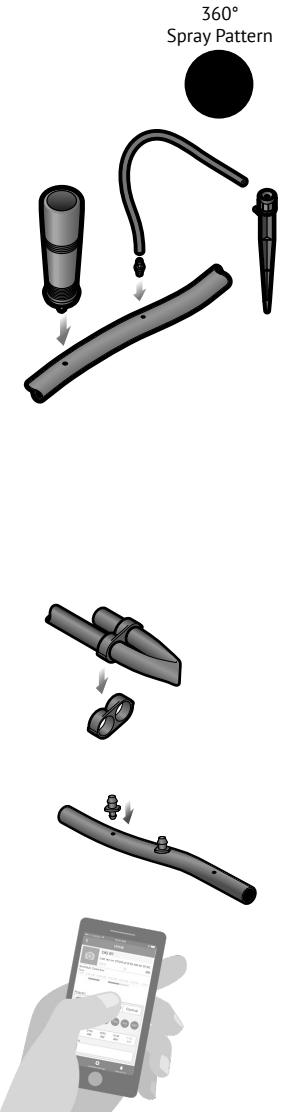
Secure the poly tubing to the soil by installing the 1/2" stakes every 8 to 10 feet.

## Initial system start-up

Turn the water on and flush the line(s); this will flush out any dirt or debris that may accumulate in the line(s) during the installation. Close the end of the poly tubing with the figure "8" hose end (part #F68B).

Test and inspect the system to identify if there are any leaks in the poly tubing laterals. If there are any leaks from the barbed fittings or micro sprayers, remove the fittings or micro sprayers and insert goof plugs (part #G79B) to close the holes. Reinsert the barb fittings or micro sprayers nearby. The final step is to check and adjust the sprayers to cover the desired area.

Test the system via the app using the manual run and see that the Bluetooth timer opens and closes via the App. Program the timer.



## WATERING SCHEDULE

Open the faucet for 45 minutes to 1 hour every 2 to 3 days, depending on your location, weather and soil type. Faster draining, lighter soils will need to be irrigated more frequently than heavy, soils with high clay content. After a few days, check the soil and the health of the plants, and adjust the watering schedule as needed.

## SPECIFICATION

- Operating pressure: 10 to 45 PSI
- Recommended operating pressure: 25 PSI (use with model D46 25-PSI pressure regulator)
- Recommended spacing: 8-12" apart
- Micro tubing length and size: 50' x 1/4"
- Maximum recommended flow rate: 220 GPH (3.7 GPM)
- Poly tubing length and size: 50' x 1/2" with .600" ID x .700" OD
- Total flow rate for this kit: 197 GPH (3.2 GPM)