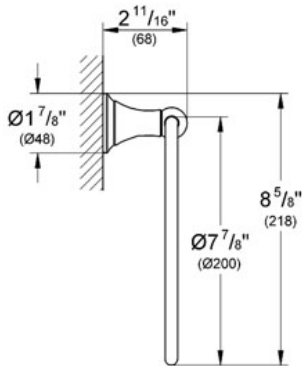


SEABURY
Towel Ring
MODEL # 40158

Pure Freude an Wasser



GROHE America, Inc | 200 North Gary Avenue, Suite G, Roselle, IL 60172
Phone: +1 (800) 444-7643 | Fax: +1 (800) 225-2778 | us-customerservice@grohe.com



Product Description:
Towel Ring

- Standard Specification:**
- GROHE StarLight® finish

- Applicable Codes & Standards:**
- Energy Policy Act of 1992
 - ASME A112.18.1/CSA B125.1

Color:

- 40158 000 chrome
- 40158 BE0 Sterling inf
- 40158 EN0 Brushed Nickel
- 40158 ZB0 Oil Rubbed Bronze