

# STEELCORE

## 3.5 AMP ELECTRICAL JIG SAW TOOL

33186



### WARNING

This product can expose you to chemicals including LEAD/CADMIUM/DEHP, which is known to the State of California to cause cancer and birth defects or other reproductive harm. For more information go to [www.P65Warnings.ca.gov](http://www.P65Warnings.ca.gov).

*\*Actual product may vary slightly*

Please carefully read and save these instructions before attempting to assemble, maintain, install, or operate this product. Observe all safety information to protect yourself and others. Failure to observe the instructions may result in property damage and/or personal injury. Please keep instructions for future reference.

For warranty purchases, please keep your dated proof of purchase. File or attach to the manual for safe keeping.

---

## SPECIFICATIONS

Rated Voltage	120V
Rated Frequency	60HZ
Input Current	3.5A
No-Load Speed	500-3,000 SPM
Stroke Length	3/4 IN.
Cutting Capacities	Wood max. : 2 IN. Steel max. : 1/8 IN.
Cutting Angles	45 degrees left, 45 degrees right (90 degrees)

## GENERAL SAFETY RULES

### WORK AREA

**Keep your work area clean and well lit.** Cluttered benches and dark area invite accidents

**Do not operate power tools in explosive atmospheres, such as in the presence of flammable liquids, gases, or dust.** Power tools create sparks that may ignite the dust or fumes.

**Keep bystanders, children and visitors away while operating a power tool.** Distractions can cause the loss of control.

### ELECTRICAL SAFETY

**Double insulated tools are equipped with a polarized plug (one blade is wider than the other.)** This plug will fit in a polarized outlet only one way. If the plug does not fit fully in the outlet, reverse the plug. If it still does not fit, contact a qualified electrician to install a polarized outlet. Do not change the plug in any way. Double insulation eliminates the need for the three wire grounded power cord and grounded power supply system.

---

**Avoid body contact with grounded surfaces such as pipes,** radiators, ranges and refrigerators. There is an increased risk of electric shock if your body is grounded.

**Do not expose power tools to rain or wet conditions.** Water entering a power tools will increase the risk of electric shock.

**Do not abuse the cord.** Never use the cord to carry the tools or pull the plug from an outlet. Keep cord away from heat, oil, sharp edges or moving parts. Replace damaged cords immediately. Damaged cords increase the risk of electric shock. When operating a power tool outside, use an outdoor extension cord marked with "W-A" or "W". These cords are rated for outdoor use and reduce the risk of electric shock.

## **PERSONAL SAFETY**

**Stay alert, watch what you are doing and use common sense when operating a power tool.** Do not use the tool while you are tired or under the influence of drugs, alcohol, or medication. A moment of inattention while operating power tools may result in serious personal injury.

**Dress properly.** Do not wear loose clothes or jewelry. Contain long hair. Keep your hair, clothes, and gloves away from moving parts. Loose clothes, jewelry, or long hair can be caught in moving parts.

**Avoid accidental starting.** Be sure that the switch is off before plugging in. Carrying tools with your finger on the switch or plugging tools that have the switch on invites accidents.

**Remove adjusting wrenches or switches before turning the tool on.** A wrench or a key that is left attached to a rotating part of the tool may result in personal injury.

**Do not overreach.** Keep proper footing and balance at all times. Proper footing and balance enables better control of the tool in unexpected situations.

**Use safety equipment.** Always wear eye protection. Dust mask, non-skid safety shoes, hardhat, or hearing protection must be used for appropriate condition.

---

## TOOL USE AND CARE

**Use clamps or other practical way to secure and support the workpiece to a stable platform.** Holding the work by hand or against your body is unstable and may lead to loss of control.

**Do not force the tool.** Use the correct tool for your application. The correct tool will do the job better and safer at the rate for which it is designed.

**Do not use the tool if its switch does not turn it on or off.** Any tool that cannot be controlled with the switch is dangerous and must be repaired.

**Disconnect the plug from the power source before making any adjustments, changing accessories, or storing the tool.** Such preventive safety measures reduce the risk of starting the tool accidentally.

**Store idle tools out of the reach of children and other untrained persons.** Tools are dangerous in the hands of untrained users.

**Maintain tools with care.** Keep cutting tools sharp and clean. Properly maintained tools with sharp cutting edges are less likely to bind and are easier to control.

**Check for misalignment or binding of moving parts, breakage of parts, and any other condition that may affect the tools operation.** If damaged, have the tool serviced before using. Poorly maintained tools cause many accidents.

**Use only accessories that are recommended by the manufacture for your model.** Accessories that may be suitable for one tool may become hazardous when used on another tool.

---

## SERVICE

**Tool service must be performed only by qualified personnel.** Service or maintenance performed by unqualified personnel could result in a risk of injury.

**When servicing a tool, use only identical replacement parts.**

Follow instructions in the Maintenance section of this manual. Use of unauthorized parts or failure to follow maintenance instructions may create a risk of electric shock or injury.

## SPECIFIC SAFETY RULES

- **Hold the tool by insulated gripping surfaces when performing an operation where the cutting tools may contact hidden wiring or its own cord.** Contact with a "live" wire will make exposed metal parts of the tool "live" and shock the operator.
- **Wear ear protectors when using the tool for extended periods.** Prolonged exposure to high intensity noise can cause hearing loss.
- **Avoid cutting nails.** Pull all nails out of the working material before starting cutting
- **Do not cut hollow pipe with this saw.**
- **Before cutting, make sure space below material to be cut is deeper than saw blade.**
- **Be sure that the blade is running before touching the material to be cut.** Do not remove saw blade from material until blade stops moving.
- **Never touch any moving parts with your hand.**
- **Do not touch the metal parts of saw while cutting in blind areas.** Blind spots like walls and floors may contain live electric wires.
- **Do not touch the metal parts of the saw or the blade immediately after use.** It's HOT!

# FUNCTIONAL DESCRIPTION AND ASSEMBLY

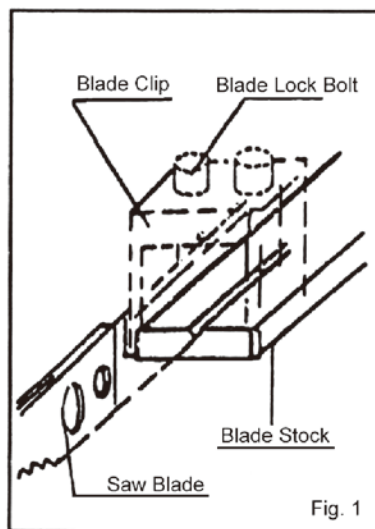


1. Speed Dial Switch
2. On/Off Switch
3. Locking Button
4. Transparent Blade Guard
5. Heavy-Duty Cord
6. Hex Wrench
7. Base Plate

## BLADE INSTALLATION

**Warning:** Before installing or changing a blade, be sure that the saw is unplugged from the power supply.

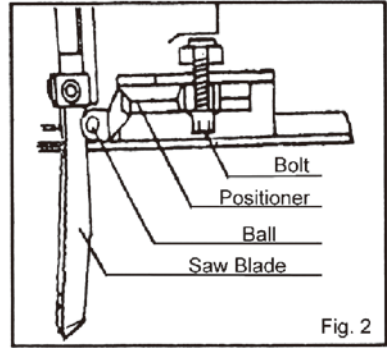
1. Loosen the two blade lock bolts (use hex key supplied) enough for a blade to be removed or inserted (Fig. 1).
2. Insert the blade in slot with teeth facing forward. The blade's top should be inserted far enough to touch the blade clip.
3. While the blade is in fitted slot and touching the blade clip top, tighten the blade lock bolts securely.



---

## Use Of The Ball

Turn the bolts on the base plate counterclockwise to loosen the positioner with the hex wrench. Slide the positioner forward until the ball touches the saw blade. However when using a saw blade with crooked back, the positioner should be moved back to keep the ball from touching the blade.



**Note: When cutting iron plate or synthetic plate etc, please use lube or cutting oil between the saw blade and the ball.**

**With vent designed at the back of the Jig Saw, this tool can also be connected to a vacuum cleaner.**

## OPERATION

**Caution!** Before starting the saw make sure that the working area is clean. The voltage specifications on the rating plate must correspond with the voltage of the power supply.

### Operation

Start the tool and wait until the blade achieves a maximum speed. Then put the bottom base on the workpiece and move forward slowly along the cutting line drawn in advance. When cut in curve lines, please push the tool very slowly.

### Variable speed control

The variable speed control is a 6-position speed dial switch located on the top front of the handle. By rotating the switch from 1 to 6, the blade speed can be set from 500 to 3,000 SPM. Stroke rate should be set for specific material being cut.

## Continuous rotation

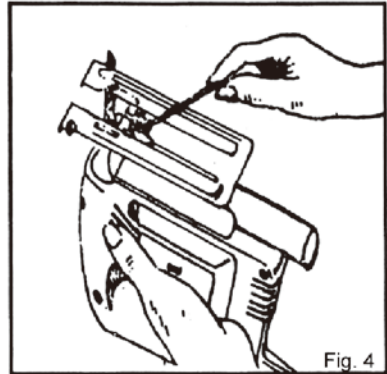
When pressing the on/off switch, use the locking button to enable the tool to be operated continuously. Press the on/off switch again and the lock button will be unlocked at once.

## Bevel cutting

**Warning! Before adjusting the cutting angles, be sure that the saw is unplugged from the power supply.**

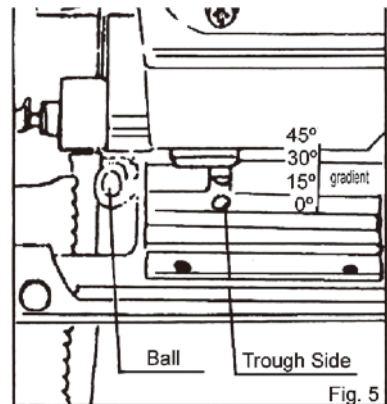
The base plate can be tilted to cut any angle between 0 and 45 degrees right and left. Loosen the base plate adjustment screw (**Fig. 4**) and then rotate the base plate left or right to the desired angle that is shown on the trough side(**Fig 5**). Tighten the base plate adjustment screw.

**Note:** The base plate has a scale for setting between 0 to 45 degrees. Use a protractor to set for different angles.



## Orbital cutting

The cutting mode selector can be adjusted to select the straight cutting mode or orbital cutting mode. This saw has 4 position settings. The setting marked 0 is for straight cutting and the settings marked with I, II and III are for orbital cutting.





## Plug-in cutting

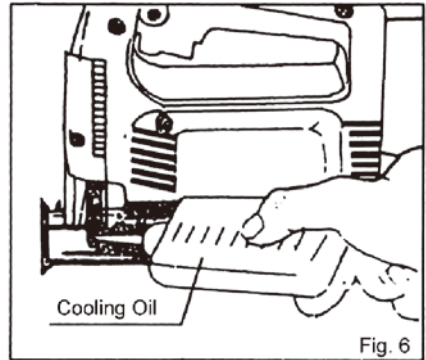
If the cutting is not started from the side of the workpiece or no holes has been drilled before hand, plug-in cutting is then needed.

First start the tool and locate the back side of the bottom plate slowly. Lower the front part with the running saw blade to touch the workpiece slightly. Cut through the workpiece gradually until the bottom plate lies on the workpiece. The jig saw is now for normal use.

If a pilot hole is to be drilled before hand, the diameter should be greater than 12mm (1/2 in.) to accommodate the saw blade.

## Metal cutting

When cutting metal, suitable cooling agent (cooling oil) must be used to prevent the saw blade from wearing.



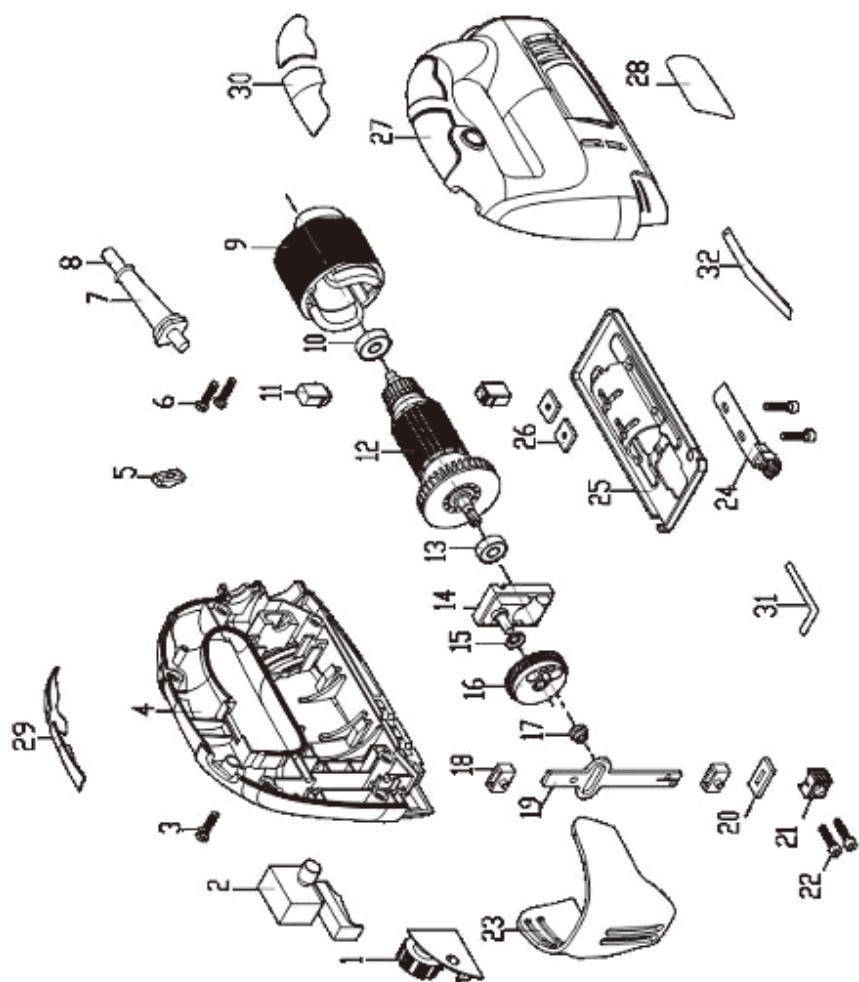
## MAINTENANCE

1. Keep the cooling vents on the motor housing clean and unobstructed at all times. Blow out any dust and dirt at regular intervals.
2. Worn carbon brushes are to be replaced only by a specialist workshop.
3. Never use any caustic agents to clean the plastic parts.

## ACCESSORIES

- 1PC Wood cutting saw blade
- 1PC Metal cutting saw blade
- 1PC Hex Wrench

# ASSEMBLY



---

## PART LIST

Part No.	Description	Part No.	Description
1	Speed control PCB	18	Slid mass
2	Switch	19	Slid rod
3	Screw ST4.2 x 19	20	Felt
4	Right half housing	21	Blade clamp
5	Cord clip	22	Screw ST4 x 15
6	Screw ST4.2 x 13	23	Guard
7	Cord guard	24	Roller guide
8	Power cord	25	Bottom board
9	Stator	26	Square nut
10	Bearing	27	Left half housing
11	Carbon brush	28	Nameplate
12	Rotor	29	Right half handle skin
13	Bearing	30	Left half handle skin
14	Center support	31	Spanner
15	Washer board	32	Saw blade
16	Gear		
17	Guide case		