

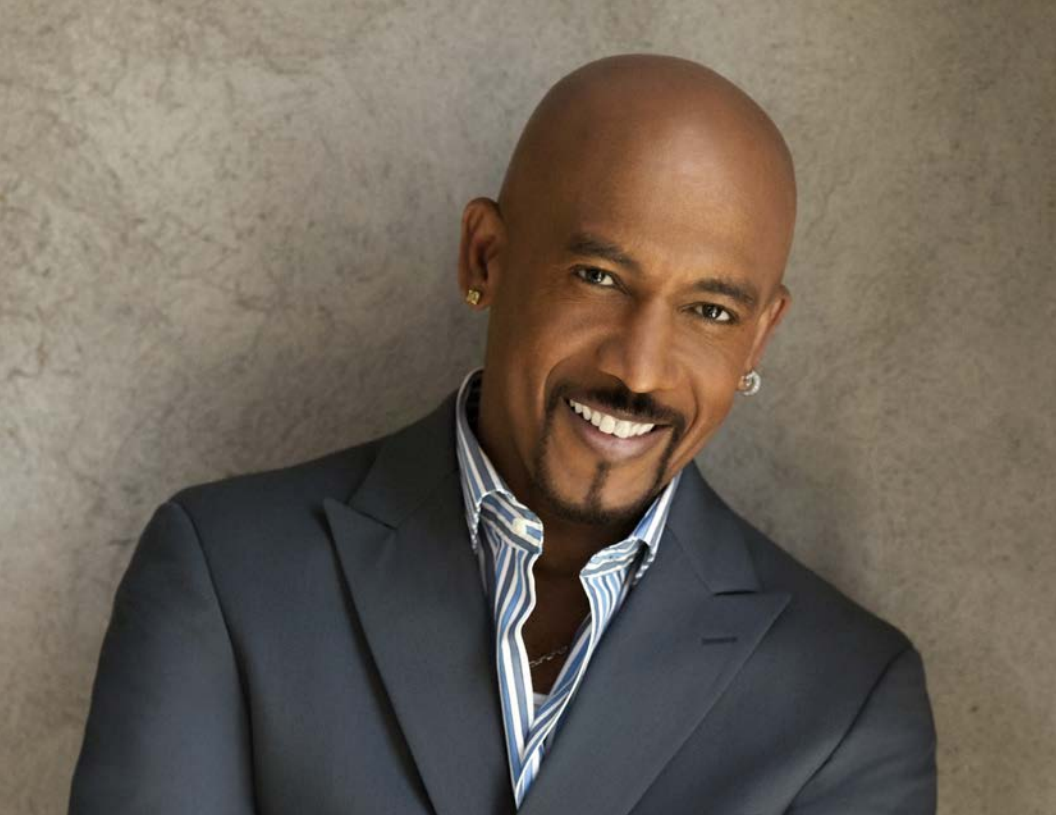


PORTABLE OUTDOOR GRILL

## Instruction Manual



PLEASE READ THIS INSTRUCTION MANUAL CAREFULLY.  
MAKE SURE THAT YOU ARE FAMILIAR WITH THE OPERATION OF  
THE PRODUCT BEFORE USING IT.



# **MONTEL WILLIAMS**

Living Well Products, LLC promotes Montel Williams' message of living well physically, emotionally, and spiritually. Our goal is to make healthy living simple, convenient, and accessible to everyone by offering quality products at a great value. We strive to make "Living Well" a simple, easy, and affordable daily choice for our family of consumers.

# PRODUCT SPECIFICATIONS

ITEM	Living Well with Montel™ Portable Outdoor Grill
POWER SUPPLY	4x AA batteries (not included)
ACCESSORIES	Carry Case, Stainless Steel Plate, Stainless Steel Rack, Charcoal Bowl, Charcoal Base, Tool, Recipe Guide
PRODUCT MATERIAL	ABS, SGCC, STEEL, ALUMINUM, SUS304



1. Stainless Steel Plate

2. Stainless Steel Rack

3. Stainless Steel Drip Tray

4. Charcoal Bowl

5. Charcoal Base

6. Base

## **Introduction**

Congratulations on taking the first step to easy grilling anywhere you go. The Portable Outdoor Grill is sleek and lightweight but large enough to cook for up to five people at once!

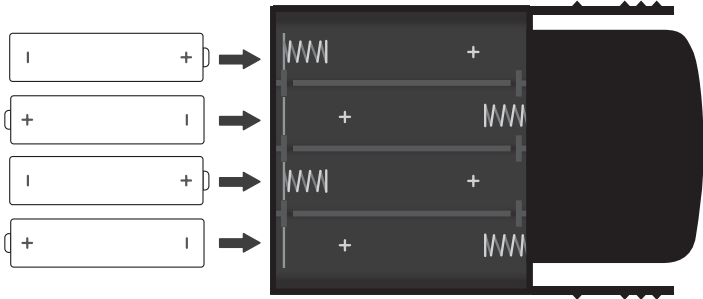
## **Safety Attention and Warnings**

- Keep Grill out of reach of children at all times.
- Ensure Grill is on a flat, stable surface and in a well ventilated area before you begin grilling.
- Stainless Steel Rack and Plate will reach high temperatures for grilling. Do not touch Stainless Steel Rack or Plate during or after grilling without proper hand protection. Wait until Stainless Steel Rack and Plate are completely cooled before removing for cleaning.
- If Grill begins to malfunction, turn off the Grill immediately using the on/off switch.
- Do not move Grill when in use.
- Do not cover the Grill when in use.
- Do not disassemble or reconstruct Grill.
- Do not keep Grill heat on without food being cooked for extended period of time. This may cause discoloration.
- Do not soak Grill in water. Please see Cleaning Method Instructions for cleaning guidelines.
- Do not expose the Grill to rain.
- Not for use on flammable surfaces or surfaces that can easily melt.
- Do not operate in a small, enclosed place.
- Keep away from other high heat appliances and high heat and moisture areas.
- Do not use objects that will scratch the Stainless Steel Rack and Plate.

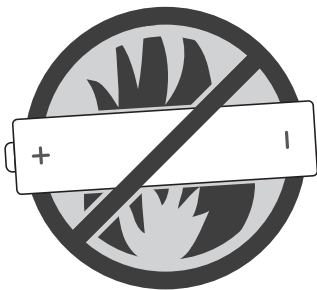
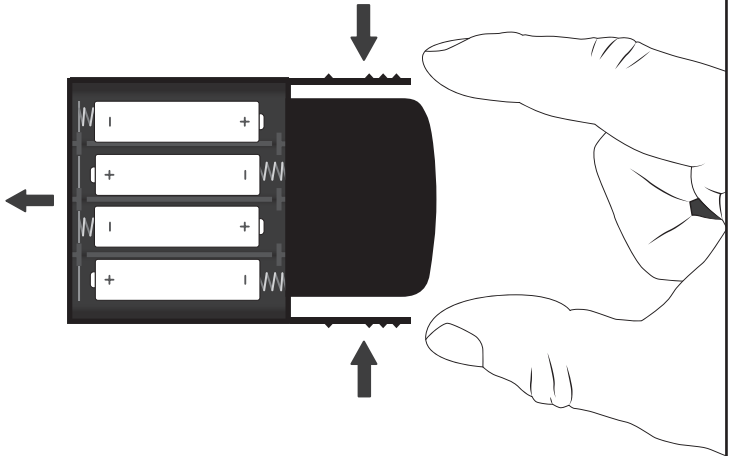
## **Battery Warnings**

- Only use 4 AA batteries. Place batteries in designated battery slot according to the markings.
- Remove batteries if Grill is not being used for an extended period of time.
- Dispose of batteries per your local disposal requirements.
- Do not throw batteries into fire or expose to high temperatures.
- It is recommended to use all new batteries of the same brand.
- If battery leakage occurs, do not touch leakage. Use gloves to dispose of the batteries per your local disposal requirements.

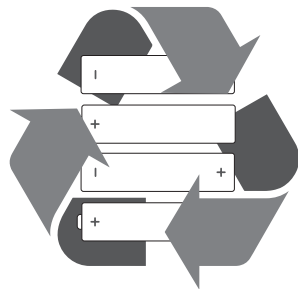
**PLACE BATTERIES INTO BATTERY BOX ACCORDING TO POSITIVE SIGNS**



**PINCH TOGETHER TO PLACE INSIDE GRILL**



**DO NOT THROW BATTERIES IN FIRE**



**RECYCLE USED BATTERIES PER LOCAL REQUIREMENTS**

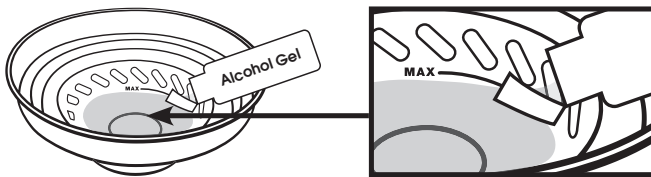
## How to use your Portable Outdoor Grill

After reading the Manual in full, including Safety Warnings, you will be ready to start grilling!

- **Step 1:** Remove Grill from packaging and remove all packing material. Read through entire Instruction Manual and warnings prior to operating the Grill.
- **Step 2:** Install 4 AA batteries in the Battery Box. Firmly press together each side and the Battery Box can be pulled out. Once batteries are installed properly, push Battery Box back in and ensure it is secure. (Refer to **Battery Warnings**)
- **Step 3:** Place Grill on stable, nonflammable surface.
- **Step 4:** Turn the Grill to Max.
- **Step 5:** Remove Charcoal Bowl from Grill unit. Put charcoal into Charcoal Bowl. Do not let the charcoal exceed the top rim of the Charcoal Bowl. This may cause the food to burn. Set aside.
- **Step 6:** Add fire accelerator product of your choice:

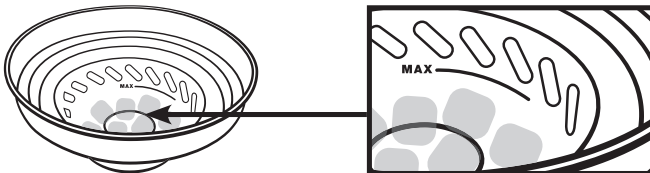
### How to Add Alcohol Gel:

- Apply Gel (approximately 25-30g) to the concave center of the Charcoal Base.



### How to Add Solid Alcohol Blocks

- Use 15g-20g. Either small pieces or one large block.
- Place blocks on the concave center of the Charcoal Base.



o **WARNING:** Do not use both Alcohol Gel and Solid Alcohol Blocks. If you cannot measure accurately the amount you are using, do not let it exceed the "MAX" line.

- **Step 7:** Ignite the Alcohol Gel or Solid Alcohol Blocks using lighter.
- **Step 8:** Using the provided Tool, lower the Charcoal Bowl (filled with charcoal) down into the Charcoal Base. (Refer to **How To Use Tools**)
  - o The first 3-5 minutes the Grill will smoke more than normal.

- **Step 9:** Put the Stainless Steel Drip Tray, Rack and Plate (in this order) securely on the Grill.
- **Step 10:** Start grilling your favorite foods or check out Montel's Secret Recipes!

### **Cleaning your Grill**

- Turn off Grill.
- Let cool completely.
- Remove the Stainless Steel Rack, Plate and Drip Tray.
- Dispose of excess oil found in the Drip Tray appropriately.
- Hand clean with a mild soap and soft sponge. Dry with soft towel. Do not use harsh chemicals or scrub brushes. This can damage the unit.
- Clean the Grill's body with a soft, slightly damp cloth.
- Do not put in the dishwasher.
- Do not submerge entire unit in water.

### **Storing your Grill**

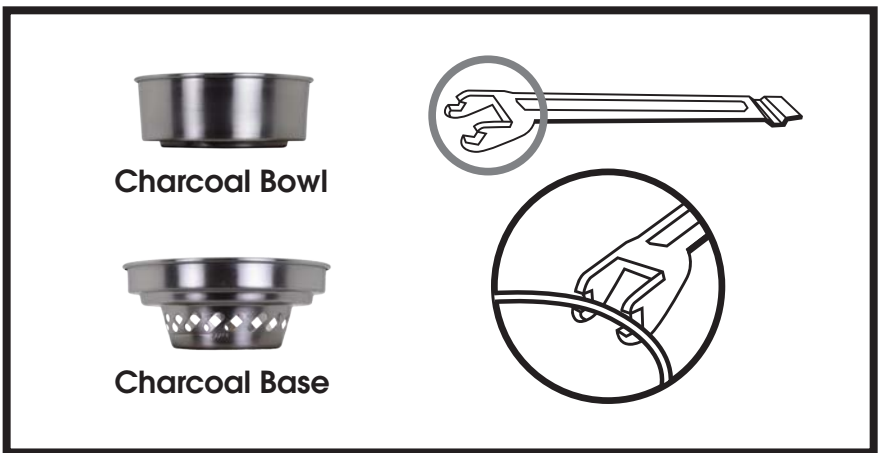
- Ensure Grill is cooled and cleaned per the cleaning instructions above.
- Remove batteries if next usage is in extended period of time.
- Store in a dry location that is not exposed to excessive heat, direct sunlight, or rain/snow.

## How to use the tool:

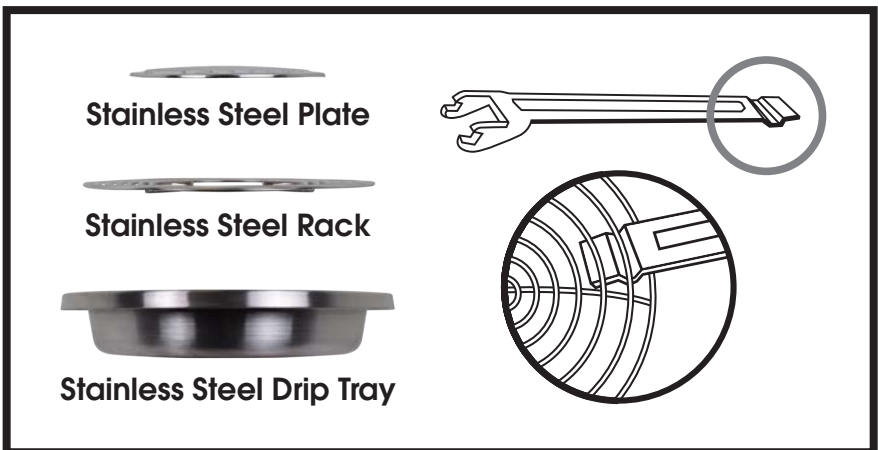
Your Portable Outdoor Grill comes with a handy Tool to ensure you and your Grill are safe during usage! It is two-sided, each side has its own specific use.

- 1. Hook End
  - Use this end to transfer the Charcoal Base and Charcoal Bowl in and out of the grill.
- 2. Flat End
  - Use this end to transfer the Barbecue Rack and Plate.

## 1. The Hook End



## 2. The Flat End





## Troubleshooting:

<b>PROBLEM</b>	<b>SUGGESTED SOLUTIONS</b>
Indicator light is not turning on	<ol style="list-style-type: none"><li>1. Check the batteries are installed correctly</li><li>2. Change to new batteries</li><li>3. Ensure switch is turned to "on" function</li></ol>
Food is overcooked	<ol style="list-style-type: none"><li>1. Adjust temperature</li><li>2. Ensure Stainless Steel Plate and Tray are clean</li></ol>
Food is undercooked	<ol style="list-style-type: none"><li>1. Adjust temperature</li><li>2. Ensure Stainless Steel Plate and Tray are clean</li><li>3. Make certain charcoal is ignited completely</li></ol>

# NOTES

# NOTES



## PORTABLE OUTDOOR GRILL

Living Well Products, LLC warrants this product to be free of manufacturing defects. Should any such defect develop or become evident within one year from the date of purchase, Living Well Products, LLC will replace the entire product or, at its option, repair or replace the defective part(s) without charge.

Contact Living Well Products, LLC customer service at 888.784.2835 to determine whether it is necessary to return the unit. To return, securely pack the entire unit. Be sure carton clearly identifies sender by name and address. Attach a letter or card describing defect and original sales receipt, along with your contact information. Mail prepaid to the address shown below.

Returns: **LIVING WELL PRODUCTS, LLC, ATTN: RETURNS DEPT., 6011 Century Oaks Dr. Chattanooga, TN 37416**

This warranty is void if damage or malfunction is due to abuse or failure to operate product in accordance with instructions and on recommended electrical current.

This warranty gives you specific legal rights and you may also have other rights which vary from state to state.

If you have any questions, or would like to learn more about Living Well Products, LLC, please contact us at 888.784.2835 or visit [livingwellwithmontel.com](http://livingwellwithmontel.com)

Model No. MWPG01

REV- 071116

PATENT PENDING

For customer service call 888.784.2835 (+1.423.402.9010 for outside the United States) or visit us online at [livingwellwithmontel.com](http://livingwellwithmontel.com)

Pour le service à la clientèle appelez le 888.784.2835 (+1.423.402.9010 à l'extérieur des États-Unis) ou visitez [livingwellwithmontel.com](http://livingwellwithmontel.com)

Para servicio al consumidor llame al 888.784.2835 (fuera de Estados Unidos marque +1.423.402.9010) o visite [livingwellwithmontel.com](http://livingwellwithmontel.com)



**Read Instructions  
Before Operating**

**MADE IN  
CHINA**



**DO NOT DISPOSE OF BATTERIES IN FIRE. ALWAYS DISPOSE OF BATTERIES PER LOCAL & FEDERAL GUIDELINES**

© 2016 LIVING WELL PRODUCTS, LLC. All specifications are subject to change without notice. All rights reserved.

LIVING WELL PRODUCTS, LLC. 6011 Century Oaks Dr. Chattanooga, TN 37416