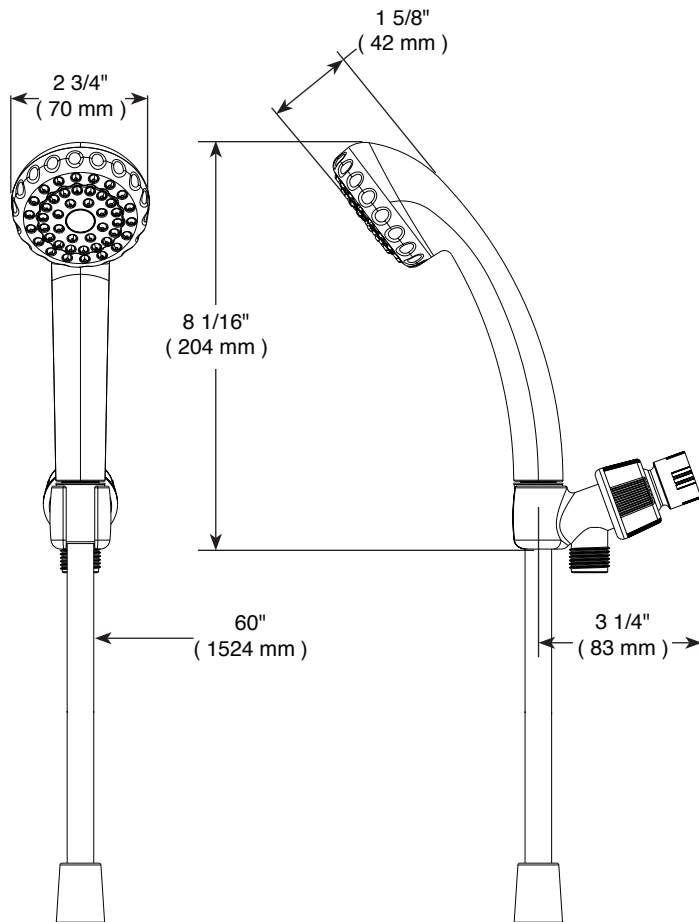
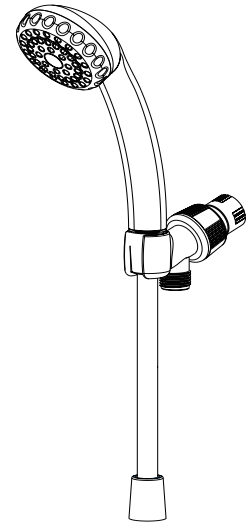


# PEERLESS®

76147WH



Full Spray



2.0 GPM

## HAND SHOWER

- 3-Spray Setting Hand Shower
- Touch-Clean® Nozzles

### STANDARD SPECIFICATIONS:

- Maximum flow rate 2.0 gpm @ 80 PSI, 7.6L/min @ 552kPa.
- Adjustable shower arm mounting for hands-free showering.
- Model includes shower arm mount.
- Hand held shower with a single spray setting - not a positive shut-off.
- 60" reinforced vinyl hose.

### WARRANTY

- Lifetime limited warranty on parts (other than electronic parts and batteries) and finishes; or for commercial users, for 5 years from the date of purchase.
- 5 year limited warranty on electronic parts (other than batteries); or for commercial users, for 1 year from the date of purchase. No warranty is provided on batteries.



### COMPLIES WITH

- ASME A112.18.1/CSA B125.1
- EPA WaterSense®