

# ASSEMBLY INSTRUCTIONS



**JUNIOR VICTORIAN**

## **Product Information**

---

Dear customer,

Thank you for buying a high-quality Junior Victorian aluminium greenhouse.

### Remarks

In the drawings you will find the assembly instructions for all standard models. However this manual includes instructions for optional accessories and should provide sufficient guidance for all special-case greenhouses. The aluminium profiles may show black stains, these stains are not a production error. They can be easily removed with a aluminium cleaner available at every good drugstore. The rubber profiles have been treated with oil on the interior to facilitate the assembly. The ground must be frost-free in order to place a concrete foundation. During winter the roof has to be cleared of snow or supported in a suitable way. The greenhouse should be built in a location protected from strong winds. Protective gear (such as protective gloves) should be used during construction in order to avoid injuries. We recommend consulting your local building code to determine the requirements in your area.

**PLEASE NOTE:** ALL MEASUREMENTS ARE IN MILLIMETERS, WE RECOMMEND WORKING WITH A METRIC TAPE MEASURE. We understand that you may be more familiar and comfortable with measurements in inches and feet. However this greenhouse has been manufactured in Belgium using metric measurements. Keeping the original metric measurements allows for greater accuracy and reduces error. You should be able to find a metric or combination tape measure at your local hardware store. Also, in Europe a period is used in place of a comma (i.e. 2.000 mm is 2000 mm).

### Assembly order





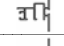
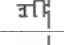
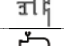
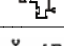



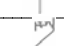
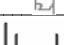
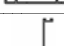


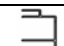
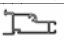
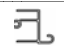

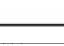
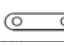
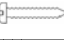
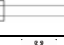




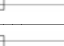
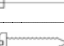
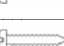
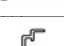










The assembly procedure is the same for all JUNIOR greenhouses.

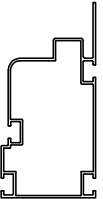
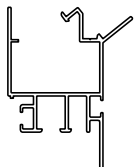
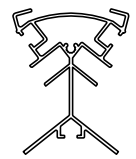
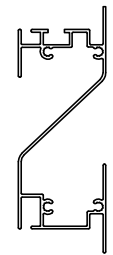
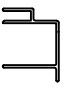
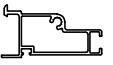

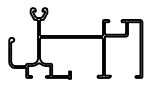

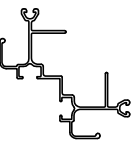

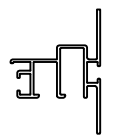



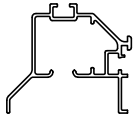

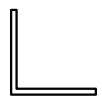

- Sorting of the profiles according to the style - Assemble the aluminum framing
- Level the framed greenhouse using a water-level.
- Install glass.

### Required tools

Metric tape measure  
10mm Socket Wrench  
10mm Spanner Wrench  
Water-level  
Phillips screwdriver  
Powered Drill + 4.2mm or 11/64ths Drill  
Bit  
Scissors (to cut the rubber).

We reserve the right to change the construction without prior notice!

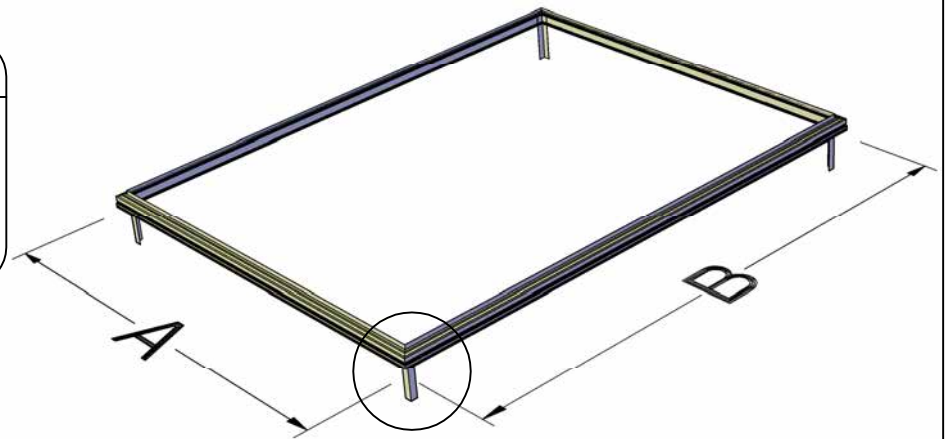
						JVIC 23 - 2340 x 3080		JVIC 24 - 234 x 381	
PROFILE	Article	Drawing	Description		Used on page	Piece	Length	Piece	Length
PRO 7605	7605-XX		FOUNDATION PROFILE		J1	2	3.074 mm	2	3.812 mm
PRO 7605	7605-XX		FOUNDATION PROFILE		J1	2	2.336 mm	2	2.336 mm
PRO 7606	7606-XX		GUTTER PROFILE		J4	2	3.074 mm	2	3.812 mm
PRO 7607	7607-XX		RIDGE PROFILE		J7	1	3.074 mm	1	3.812 mm
PRO 7620	7620-223		HORIZONTAL GABLE PROFILE		J3	1	2.236 mm	1	2.236 mm
PRO 7620	7620-77LR		HORIZONTAL GABLE PROFILE		J5	2	764 mm	2	764 mm
PRO 7620	7620-77		HORIZONTAL GABLE PROFILE		J5	1	768 mm	1	768 mm
PRO 6999	7618-143		CORNER PROFILE		J2	4	1.430 mm	4	1.430 mm
PRO 7616	7616-143		GABLE ROOF PROFILE		J7	4	1.430 mm	4	1.430 mm
PRO 7619	7619-143		VERTICAL GLAZING PROFILE		J5, J6, J8	16	1.430 mm	20	1.430 mm
PRO 7876	7876-181		TOP DOOR GUIDE		J14-1	1	1.850 mm	1	1.850 mm
PRO 39796	39796-750		BOTTOM DOOR GUIDE		J14-1	1	750 mm	1	750 mm
PRO 7608	7608-71		HORIZONTAL DOOR PROFILE		J15	3	709 mm	3	709 mm
PRO 7617	7617-192		VERTICAL DOOR PROFILE		J15	2	1.914 mm	2	1.914 mm
PRO 7624	7624-193		DOOR FRAME SUPPORT POST		J5	2	1.930 mm	2	1.930 mm
L20x10x2	L20x10x2-1611		WALL WIND BRACING		J9	8	1.611 mm	8	1.611 mm
L20x10x2	L20x10x2-2051		ROOF WIND BRACING		J9	4	2.051 mm	4	2.051 mm
PRO 7609	7609-82		VERTICAL WINDOW PROFILE		J12	4	821 mm	4	821 mm
PRO 7610	7610-77		BOTTOM WINDOW PROFILE		J12	2	765 mm	2	765 mm
PRO 7615	7615-77		TOP WINDOW PROFILE		J12	2	765 mm	2	765 mm
PRO 7619	7619-71		GLAZING PROFILE FOR UNDER ROOF WINDOW		J8	2	708 mm	2	708 mm
OPDRUK			MANUAL WINDOW OPENER		J13-1	2	-	2	-
PLAT 60x20x5			CONNECTION BRACKET		J8	4	60 mm	4	60 mm
PHILLIPS	4,8x19		PHILLIPS HEAD SCREW 4,8x19			8	-	8	-
SABOUT	M6x12		M6X12 BOLTS AND NUTS			4	-	4	-
PRO 7619	7619-63L		GLAZING BAR GABLE L		J5,J6	2	627 mm	2	627 mm
PRO 7619	7619-63R		GLAZING BAR GABLE R		J5,J6	2	627 mm	2	627 mm
PRO 210	40x40x2-290		FOUNDATION ANCHOR		J1	4	300 mm	4	300 mm
L30x30x2	L30x30x2-26		CONNECTION L-BRACKET		J4,J7,J14-2	11	26 mm	11	26 mm
SABOUTM8	M8x16		Bolt and nut for sliding door			2	-	2	-
SABOUT	M6x12		M6X12 BOLTS AND NUTS			136	-	144	-
PHILLIPS	4,8x32		PHILLIPS HEAD SCREW 4,8x32			24	-	24	-
PHILLIPS	4,8x19		PHILLIPS HEAD SCREW 4,8x19			15	-	15	-
PRO 7621	7621-60		GLASS SECURING PROFILE		J11	14	60 mm	16	60 mm
-	STOPDEUR		DOOR STOP		J14-2	2	-	2	-
-	WIELTJEDEUR		WHEELS FOR TOP OF DOOR		J16	2	-	2	-
-	NOKSTOPJUNIOR		RIDGE PROFILE COVER		J10	2	-	2	-
-	GOOTSTOP32		GUTTER END		J10	2	-	2	-
-	GOOT32		GUTTER DOWNSPOUT		J10	2	-	2	-
-	BUIS32		PVC DOWNSPOUT PIPE		J10	2	-	2	-
-	BOCHT-32		DOWNSPOUT ELBOW		J10	2	-	2	-
PRO 1748	1748		RUBBER GASKET		J11	1	44.018 mm	1	49.738 mm

<p><b>PR07605</b> Foundation Profile</p> 	<p><b>PR07606</b> Gutter Profile</p> 	<p><b>PR07607</b> Ridge Profile</p> 	<p><b>PR07608</b> Horizontal Door Profile</p> 
<p><b>PR07609</b> Vertical Window Profile</p> 	<p><b>PR07610</b> Bottom Window Profile</p> 	<p><b>PR07615</b> Top Window Profile</p> 	<p><b>PR07616</b> Gable Roof Profile</p> 
<p><b>PR07617</b> Vertical Door Profile</p> 	<p><b>PR07618</b> Corner Profile</p> 	<p><b>PR07619</b> Verical Glazing Profile</p> 	<p><b>PR07620</b> Horizontal Gable Profile</p> 
<p><b>PR07621</b> Roof Glass Holder</p> 	<p><b>PRO39796</b> Bottom Door Guide</p> 		<p><b>PR07624</b> Door Frame Support Post</p> 
<p><b>PR07876</b> Top Door Guide</p> 	<p><b>PR01748</b> Rubber Glazing Gasket</p> 	<p><b>PRO 210</b> Foundation Anchor</p> 	<p><b>L30x30x2</b> Connection L- Bracket</p> 

# " JUNIOR "

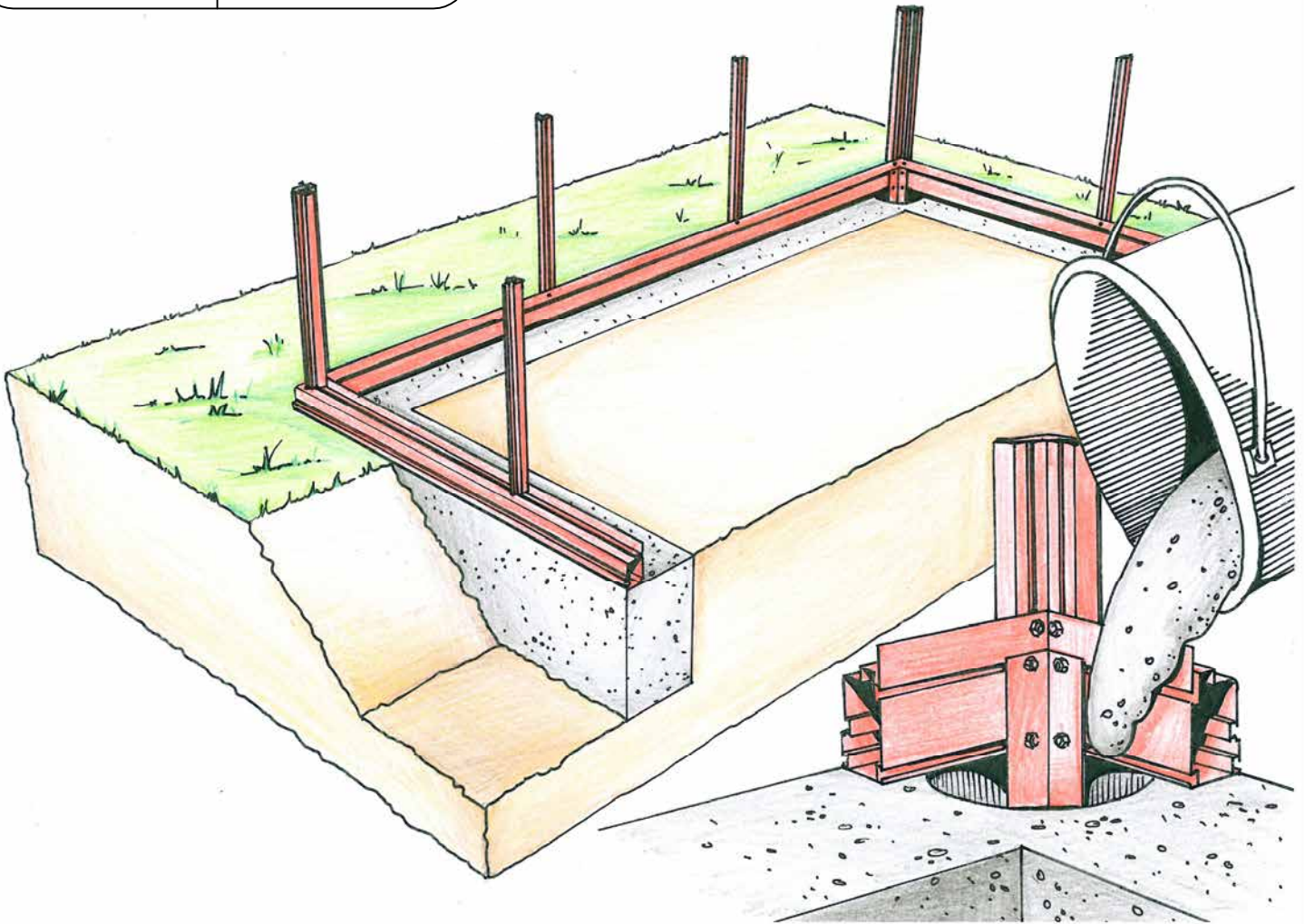
## JVIC 23

A	X	B
2340 mm		3080 mm
92 1/8"		121 1/4"
7' 8 1/8"		10' 1 1/4"

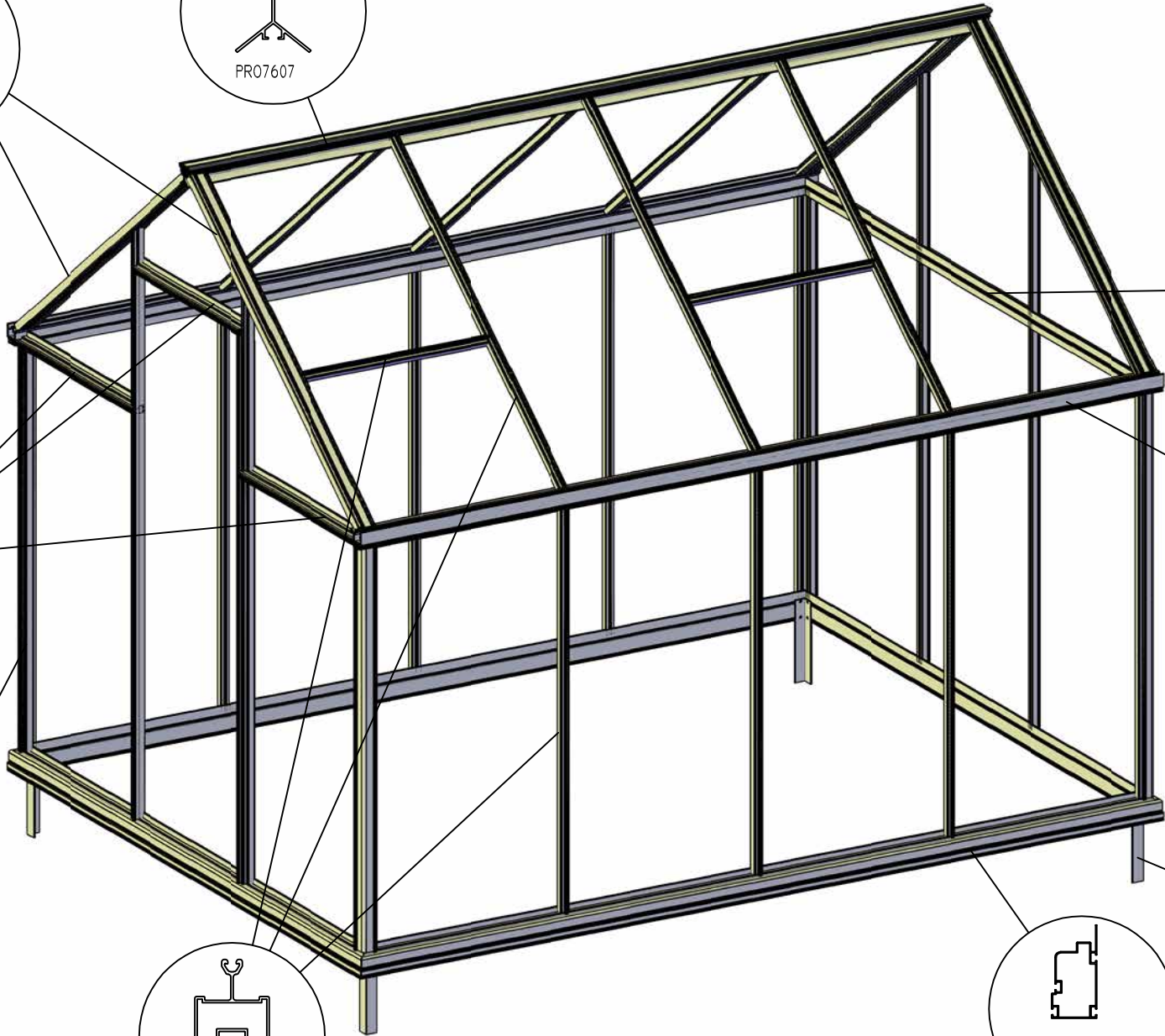
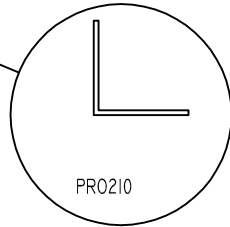
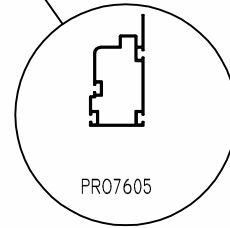
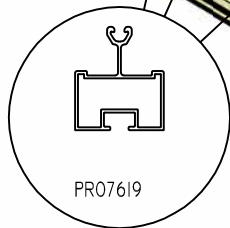
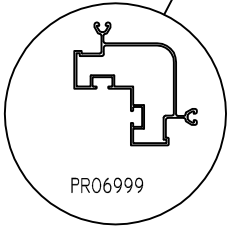
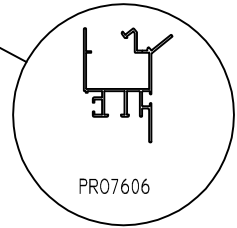
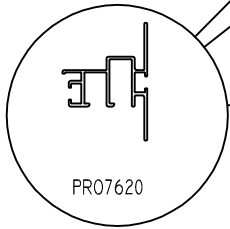
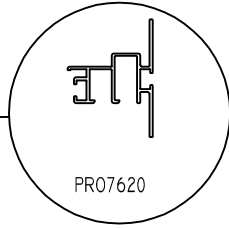
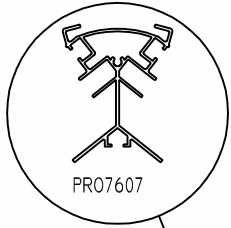
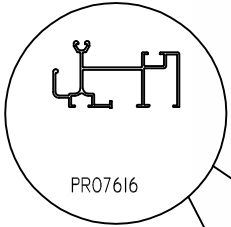


## JVIC 24

A	X	B
2340 mm		3810 mm
92 1/8"		150"
7' 8 1/8"		12' 6"

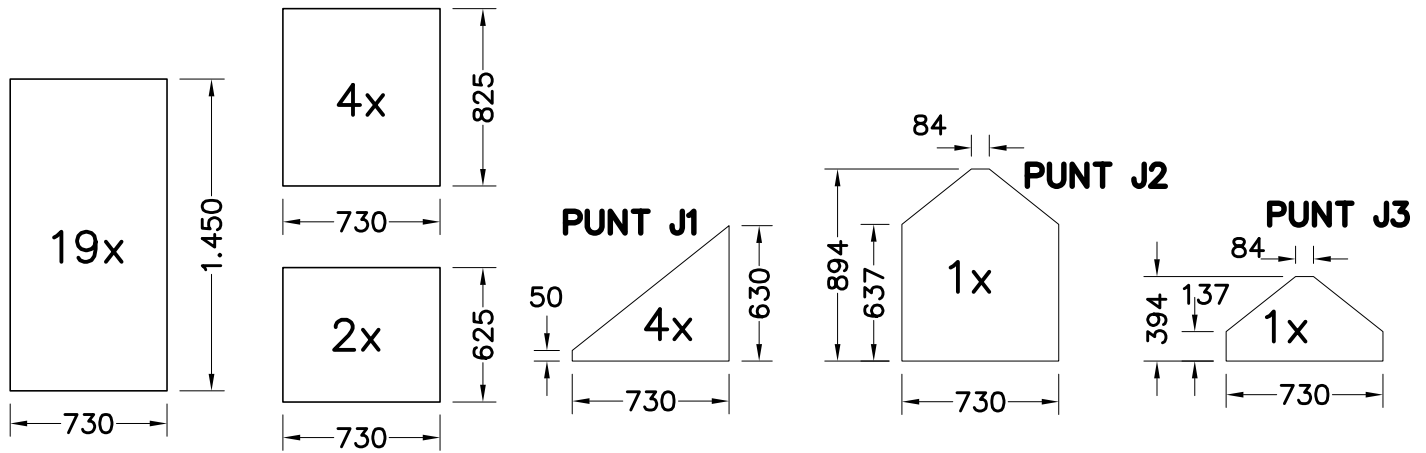


**Note:** Do not set concrete in the corners until the entire greenhouse frame is complete.  
You may need some play to install the uprights.



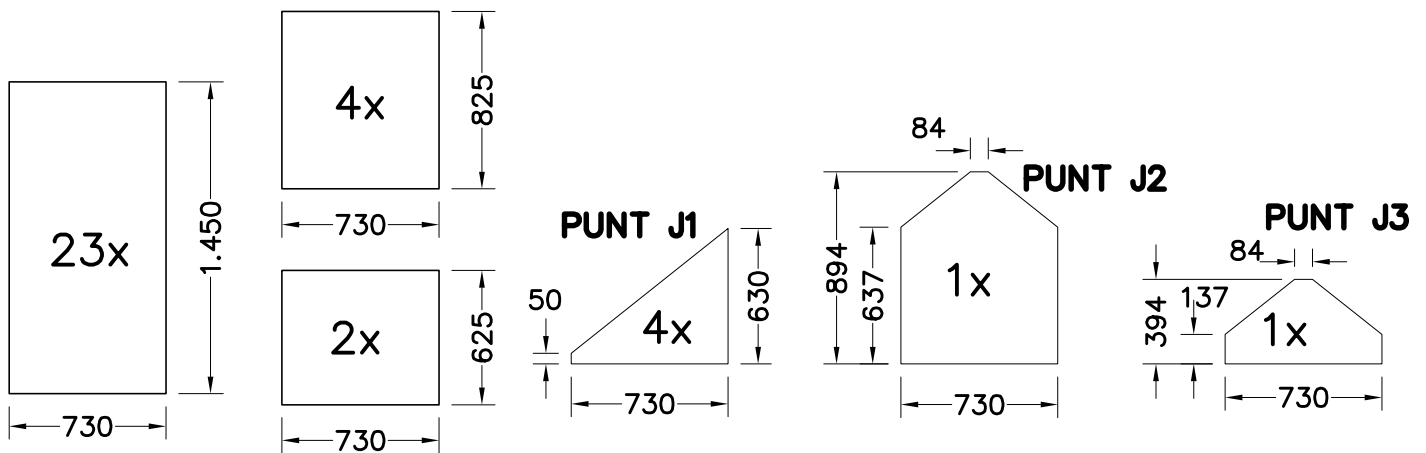
## JVIC 23 7'8" x 10'2"

GLASS-SIZES JUNIOR 234x308

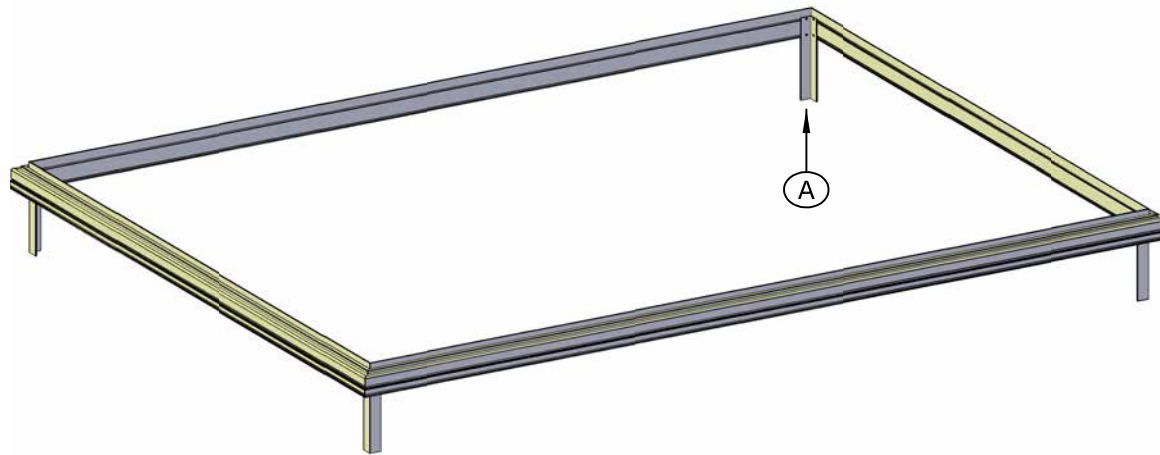



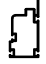

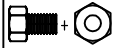
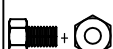
## JVIC 24 7'8" x 12'6"

GLASS-SIZES JUNIOR 234x381

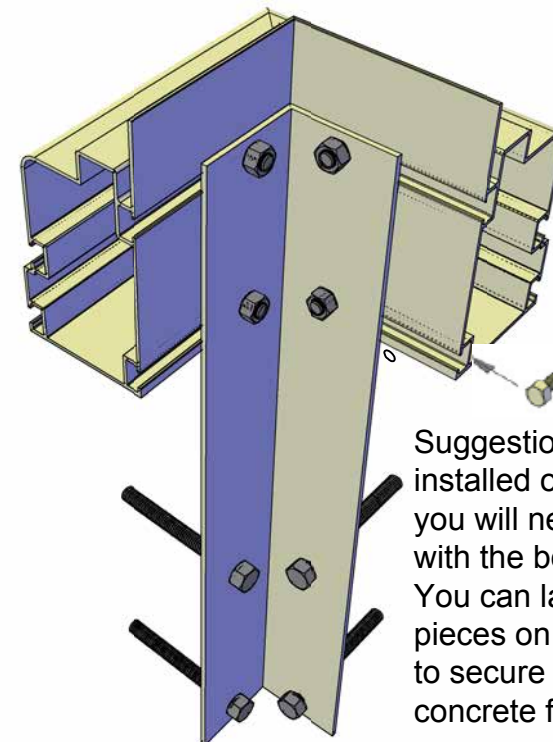
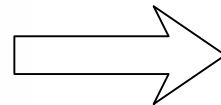
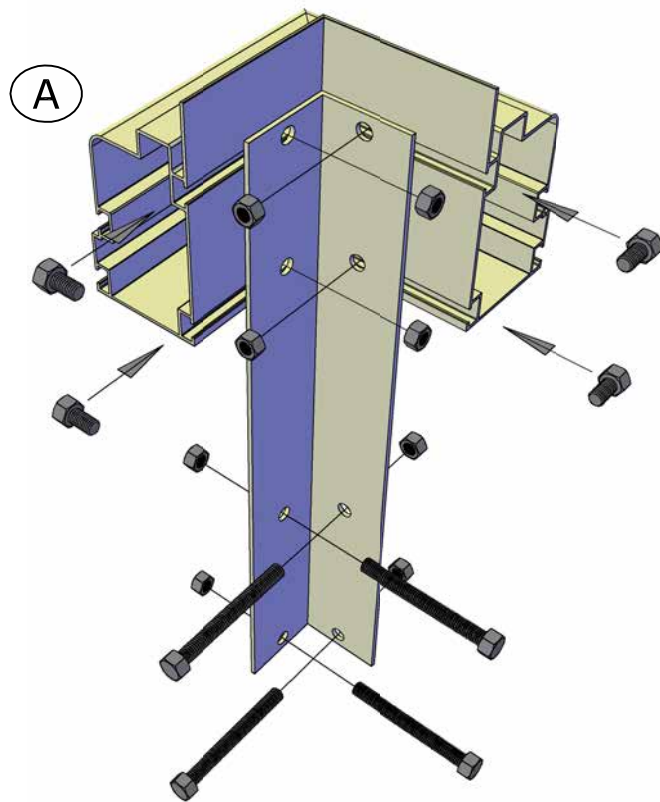


Note: When assembling the foundation in this step only hand-tighten the nuts. The corners may need to be slightly loose to attach the corner uprights



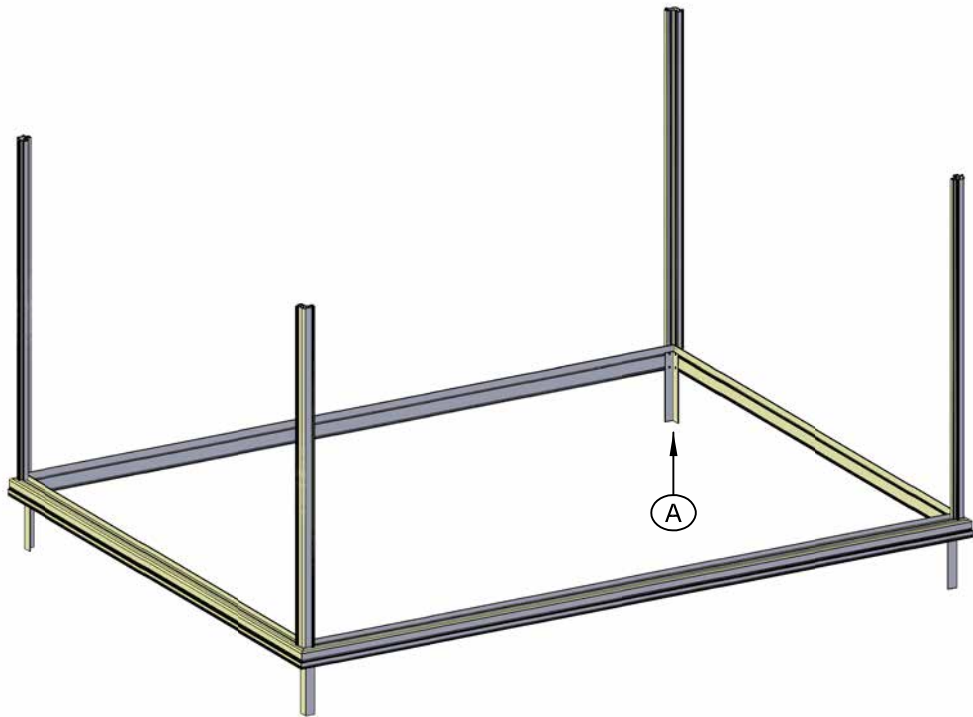
ITEM	PC.	J22	J23	J24
 PR07605	2 pc.	2.336 MM	3.074 MM	3.812 MM
 PR07605	2 pc.	2.336 MM	2.336 MM	2.336 MM
 PR0210	4 pc.	300 MM	300 MM	300 MM
 M6X15	16 pc.			
 M6X60	16 pc.			

Note: Before assembling the foundation insert 3 M6x15 bolts as shown for the sliding door guide. See page J14-1.



Suggestion: If the unit is to be installed on a concrete foundation you will need to cut PRO210 flush with the bottom of PRO6120. You can lay the cut off PRO210 pieces on their side and use them to secure the PRO6120 to the concrete foundation.





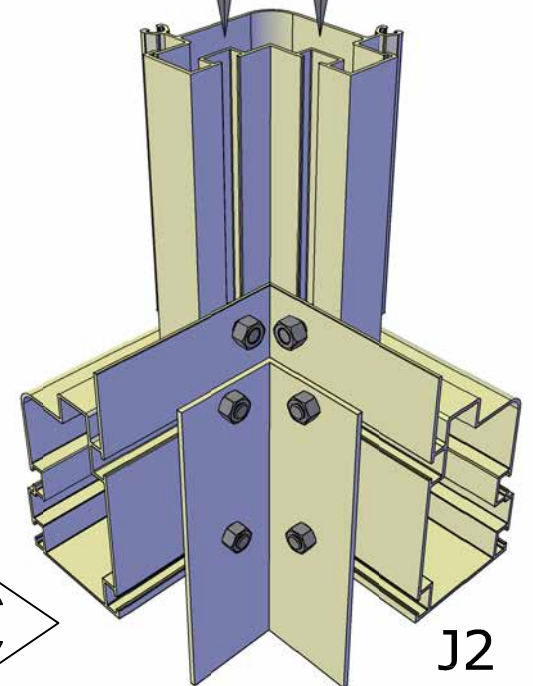
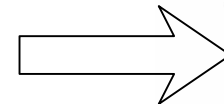
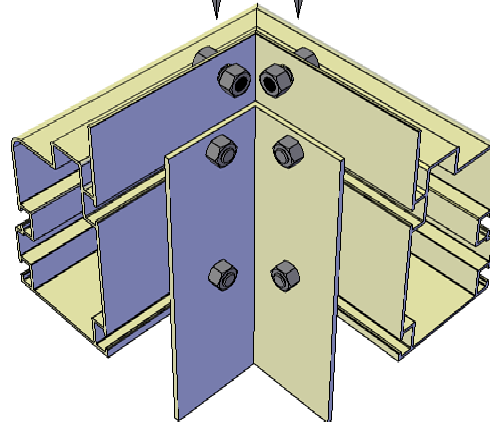
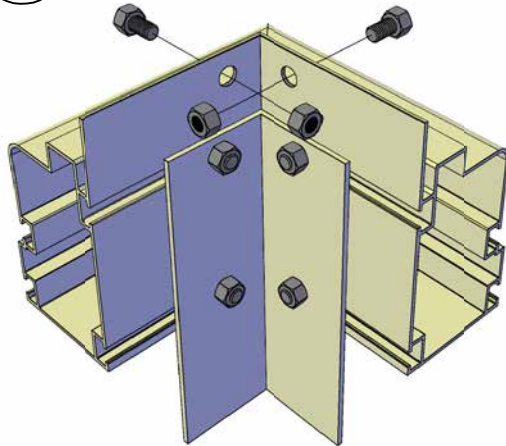
ITEM	PC.	J22	J23	J24
PR06999	4 PC.	1.430 MM	1.430 MM	1.430 MM
M6X15	8 PC. (+2 PC.) (+2 PC.)			

Insert  
a bolt in corner of front  
and back wall for Seed Tray  
(optional accessory). See page ZB2.

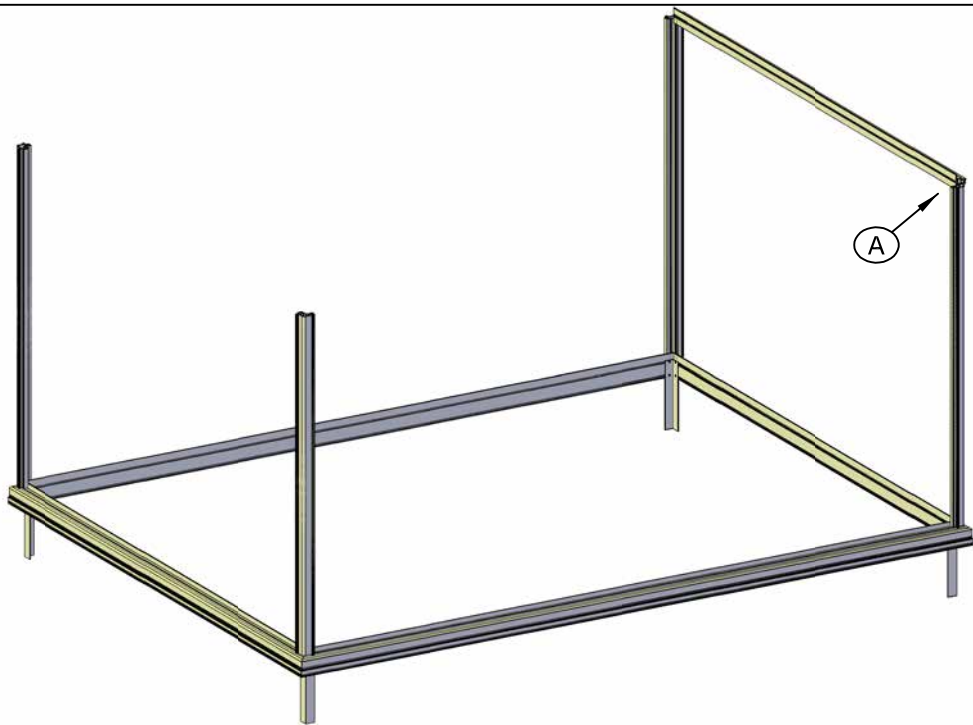


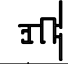
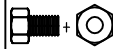
=ZB1--> 1x

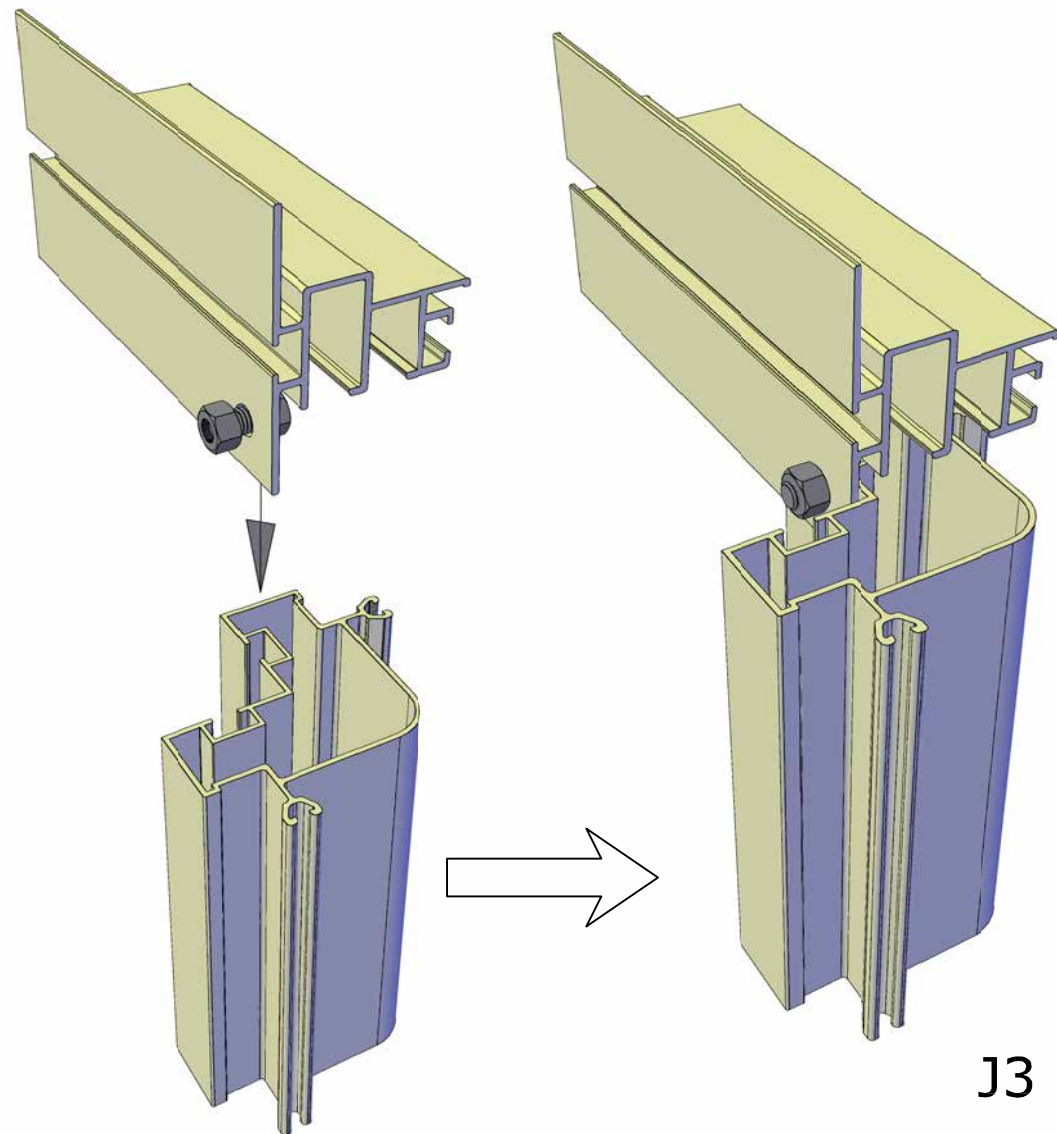
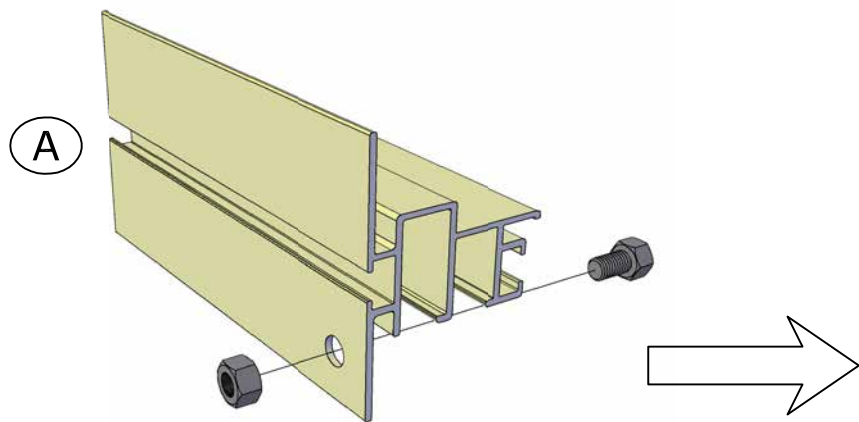
A



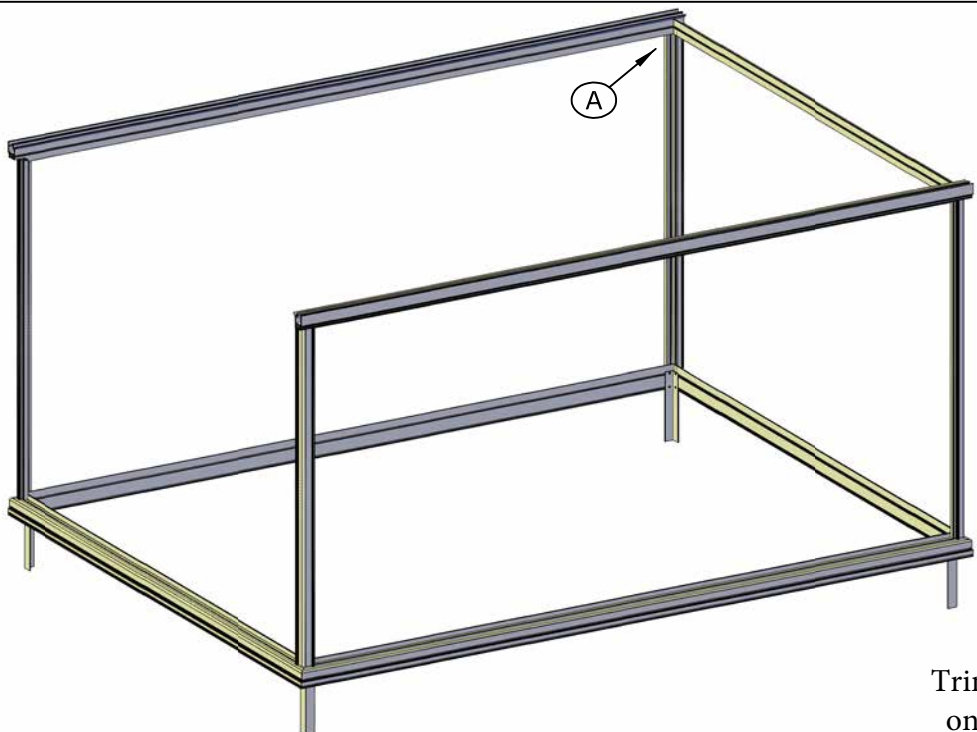
J2




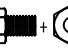

ITEM	PC.	J22	J23	J24
 PR07620	1 pc.	2.336 MM	2.336 MM	2.336 MM
 M6X15	2 pc.			

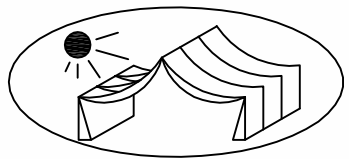


J3



Note: If you have purchased shade curtains, insert the slider loops into the gutter profile before this assembly step. This is shown below.

ITEM	PC.	J22	J23	J24
	1 pc.	2.336 MM	3.074 MM	3.812 MM
	12 pc.			
	2 pc.			

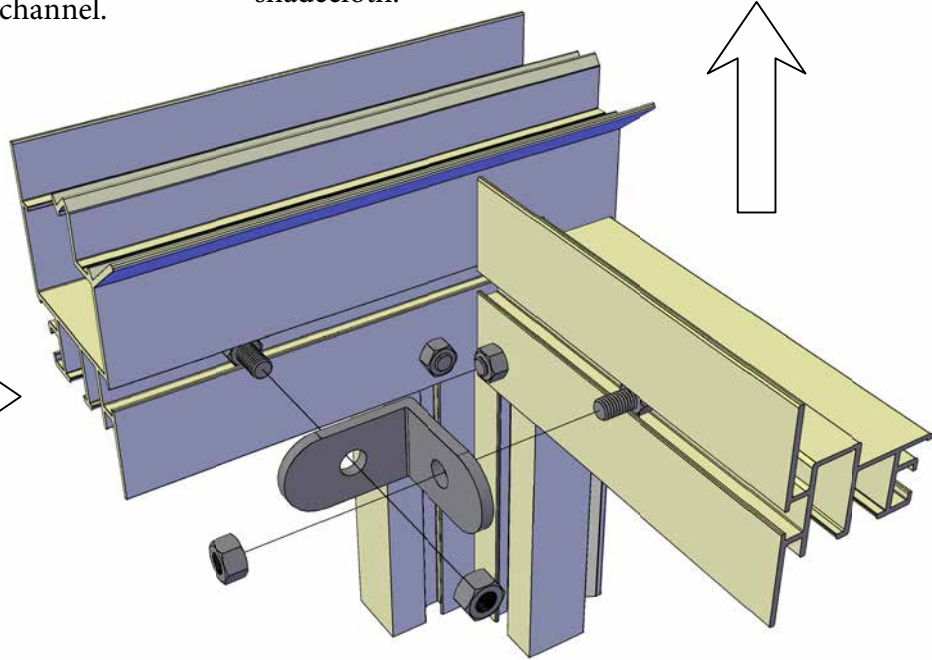
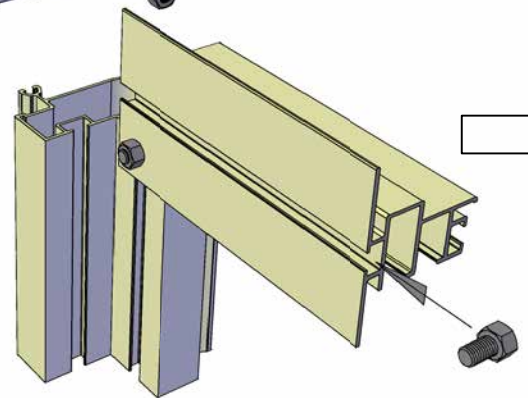
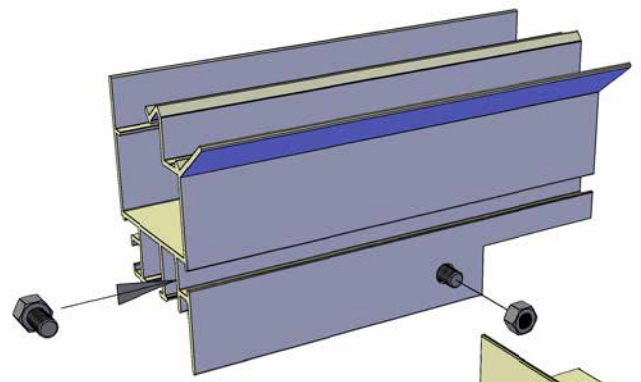
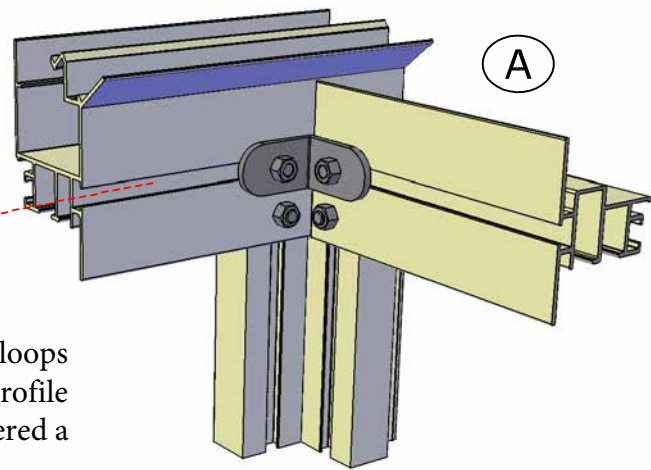


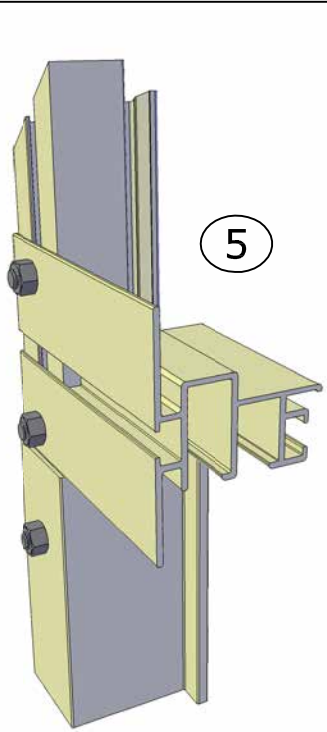
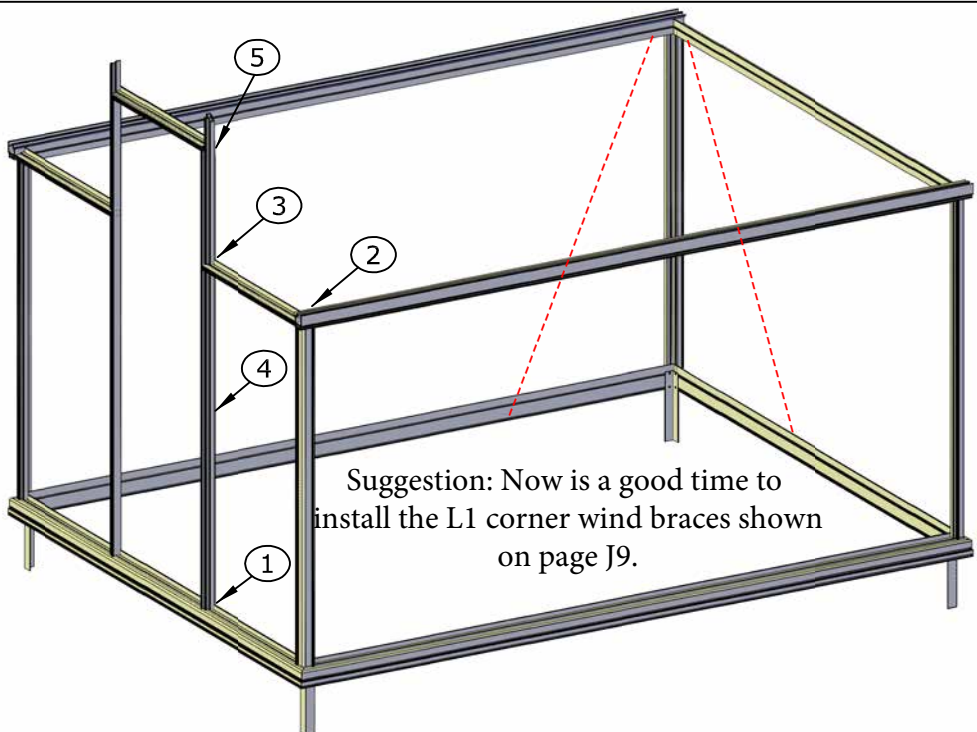
1-Twist lock per end



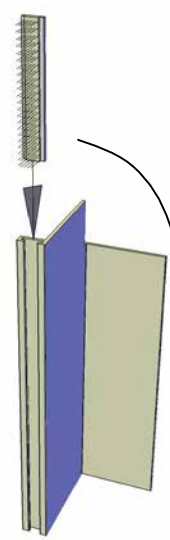
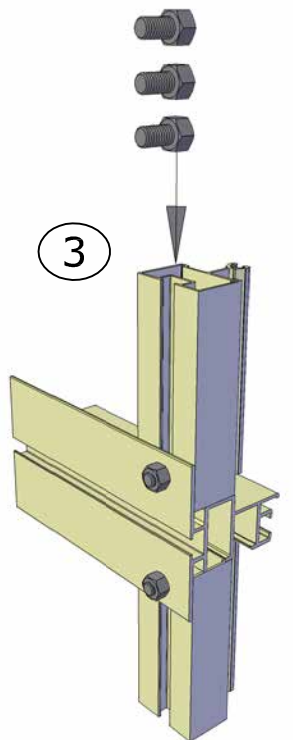
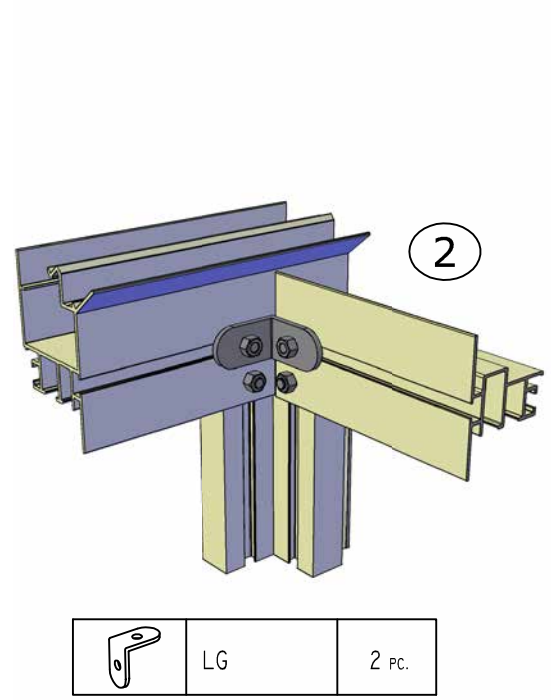
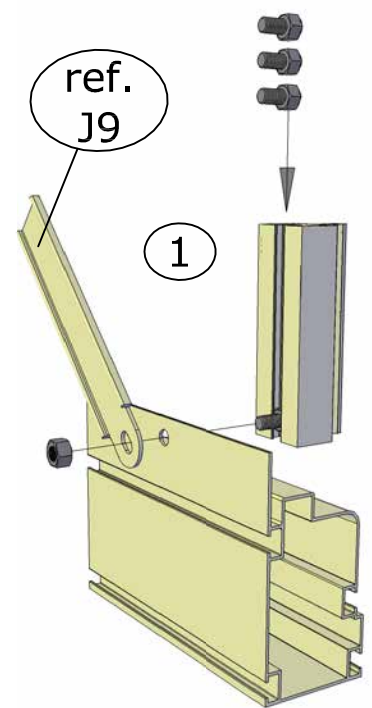
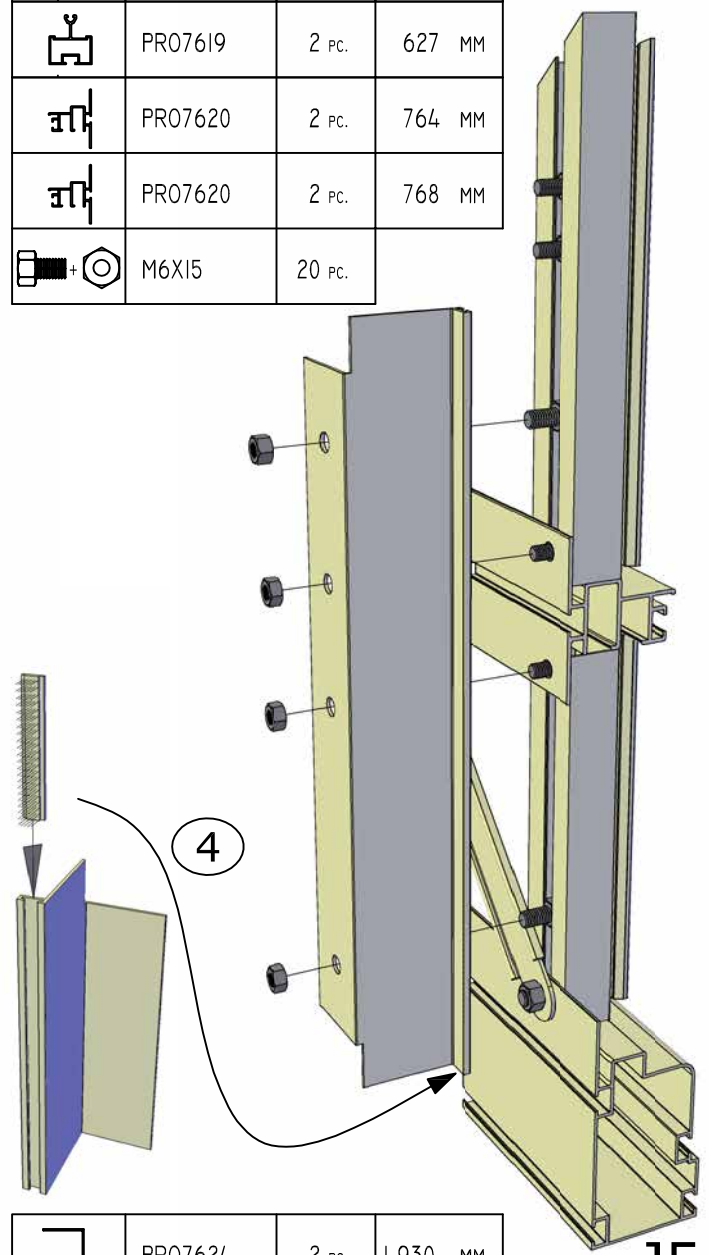
Trim the square plate on the round-hook (which screws down) to be able to insert it in the channel.

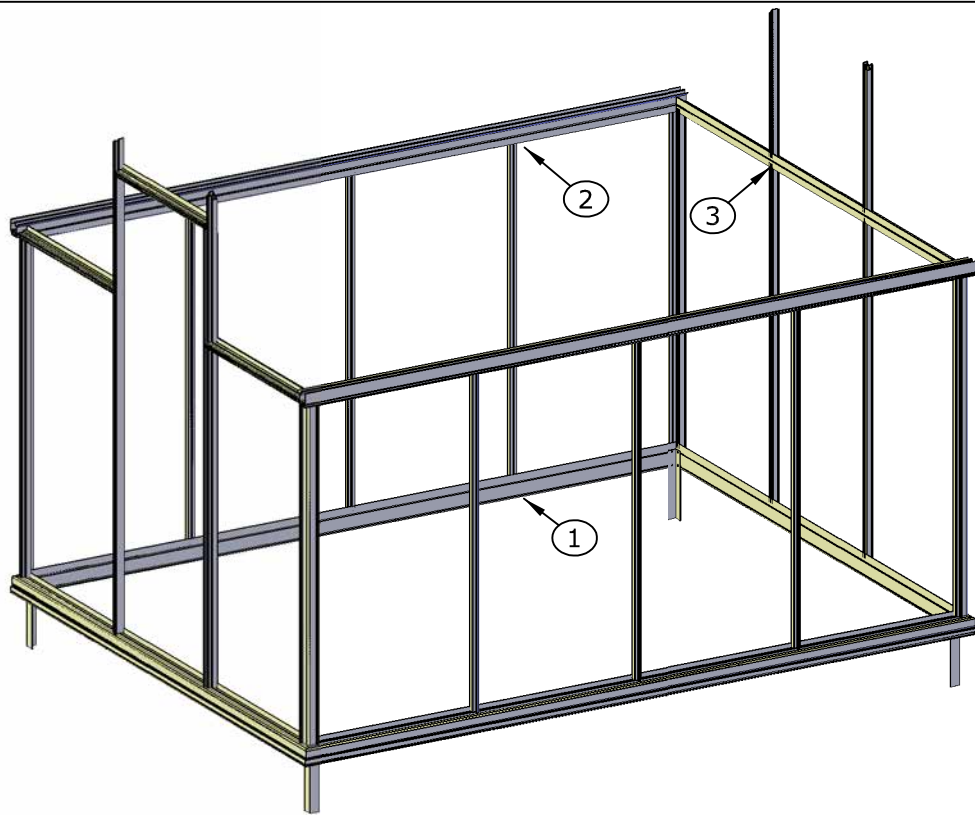
Insert 28 slider loops in each gutter profile if you have ordered a shadecloth.



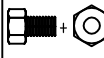


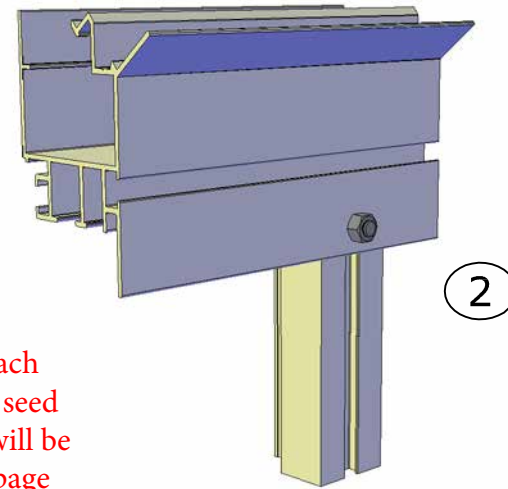


ITEM	PC.	J22/23/24
PR07619	2 pc.	1.430 MM
PR07619	2 pc.	627 MM
PR07620	2 pc.	764 MM
PR07620	2 pc.	768 MM
M6X15	20 pc.	

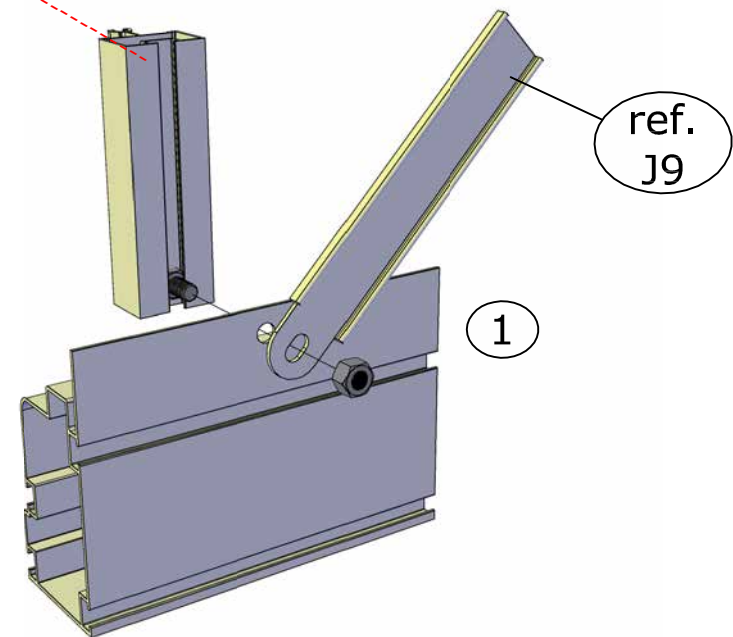
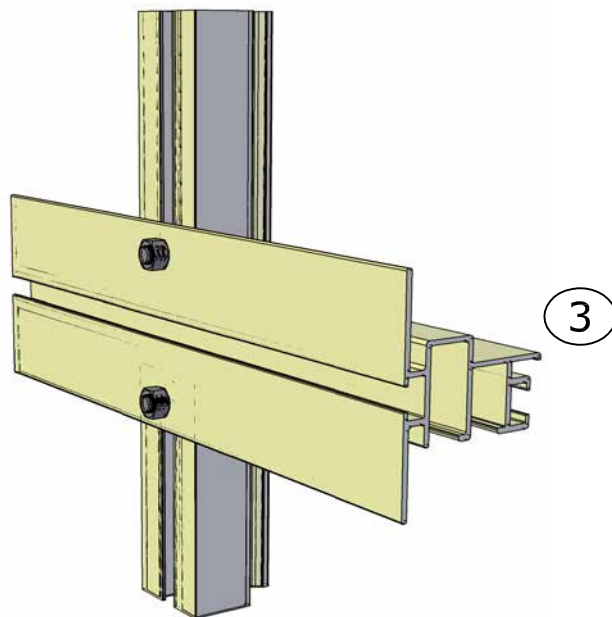


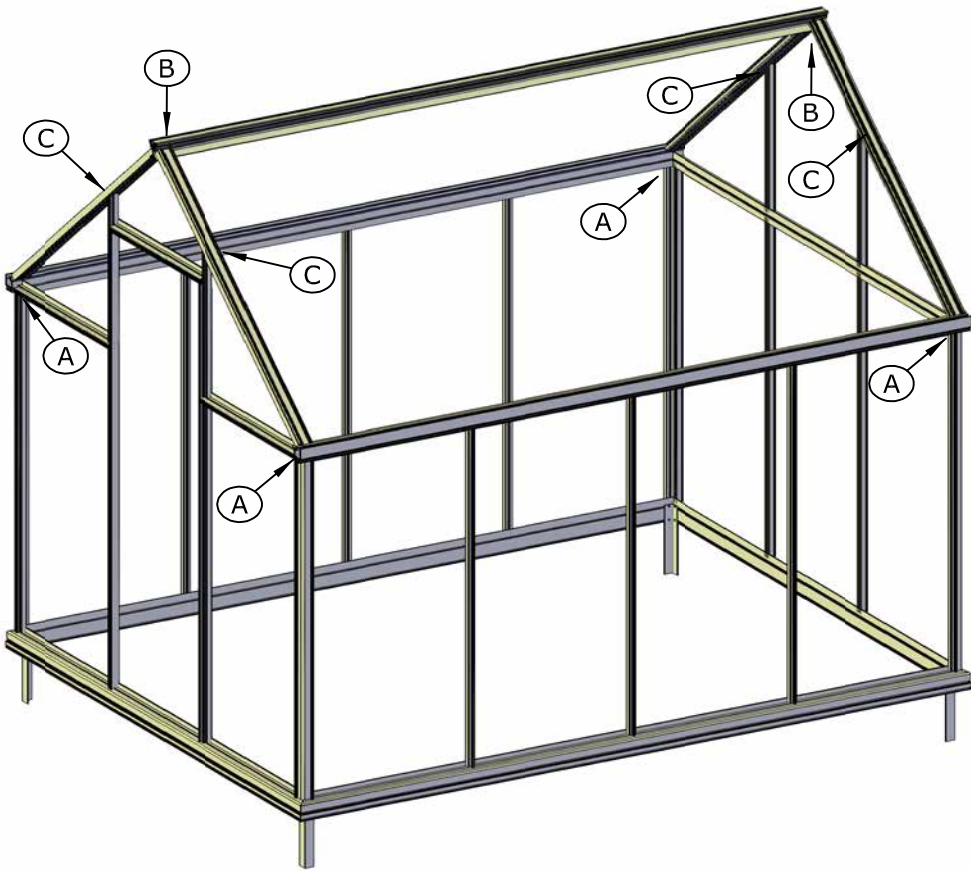



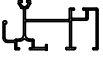
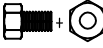

	ITEM	MM	J22	J23	J24
	PR07619	1.430 MM	6 PC.	8 PC.	10 PC.
	PR07619	627 MM	2 PC.	2 PC.	2 PC.
	M6X15		14 PC.	18 PC.	22 PC.

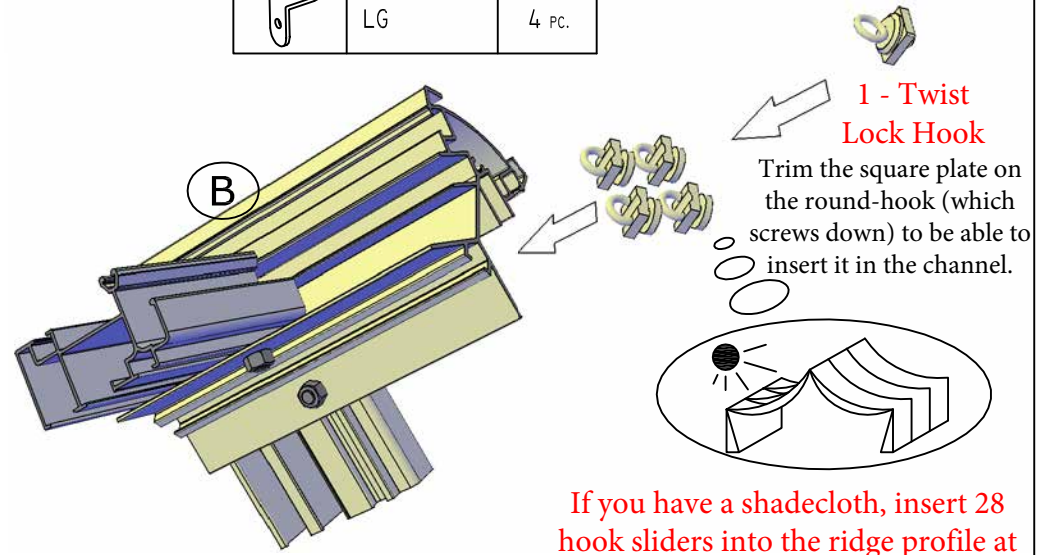


Insert a bolt in each upright where the seed tray shelf support will be located Refer to page ZB2

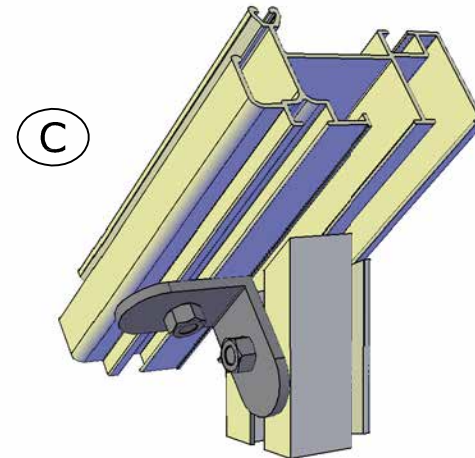
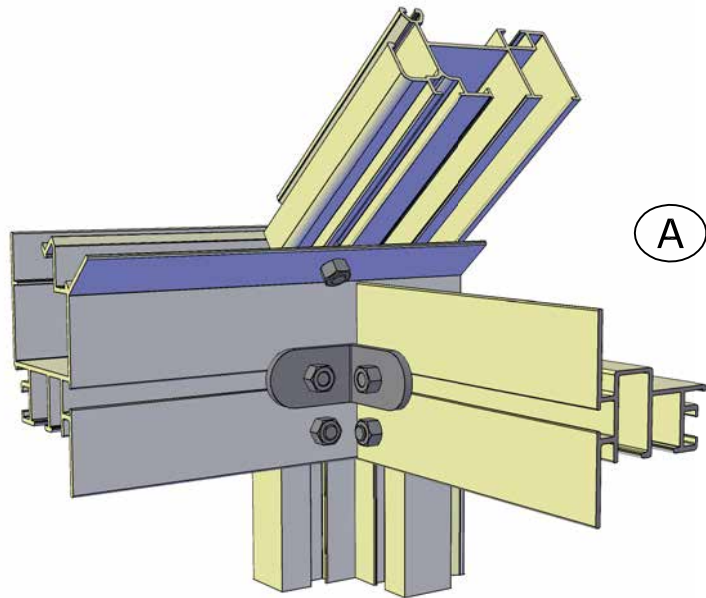




ITEM	PC.	J22	J23	J24
 PR07607	1 pc.	2.336 MM	3.074 MM	3.812 MM
 PR07616	4 pc.	1.430 MM	1.430 MM	1.430 MM
 M6X15	12 pc.			
 LG	4 pc.			



If you have a shadecloth, insert 28 hook sliders into the ridge profile at this time.  
See page JSD

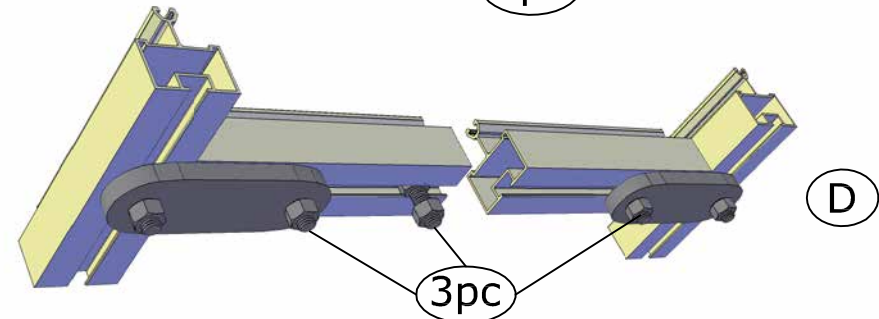
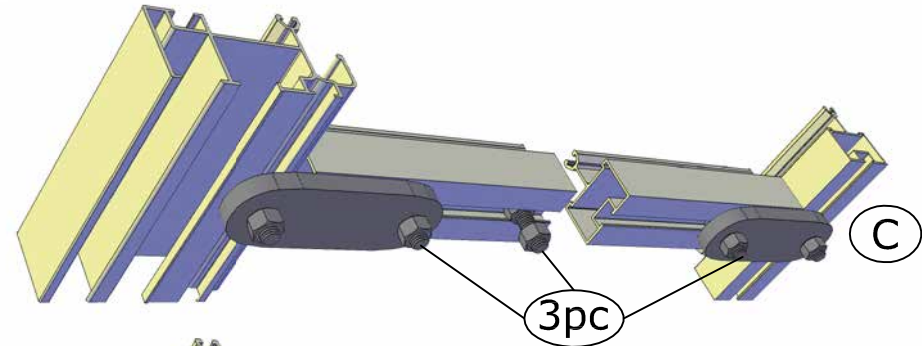
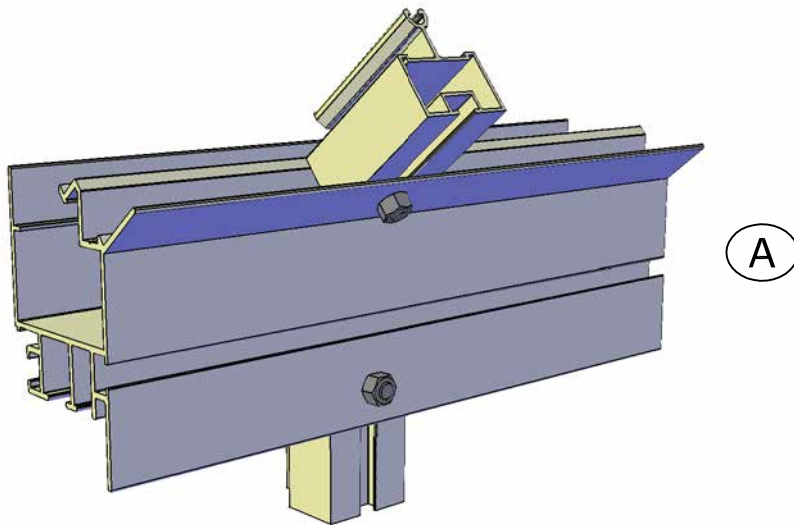
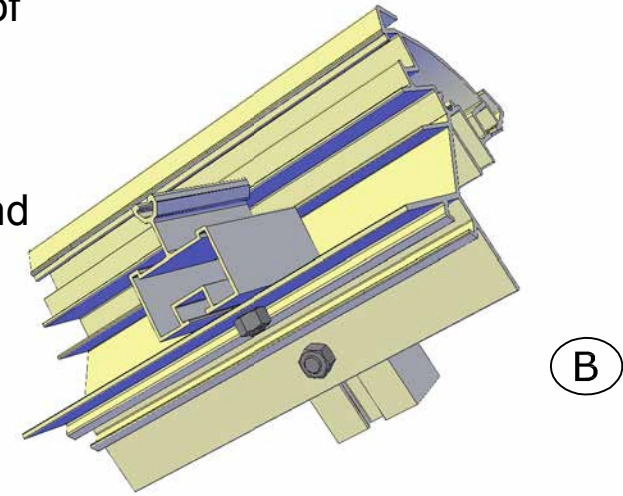




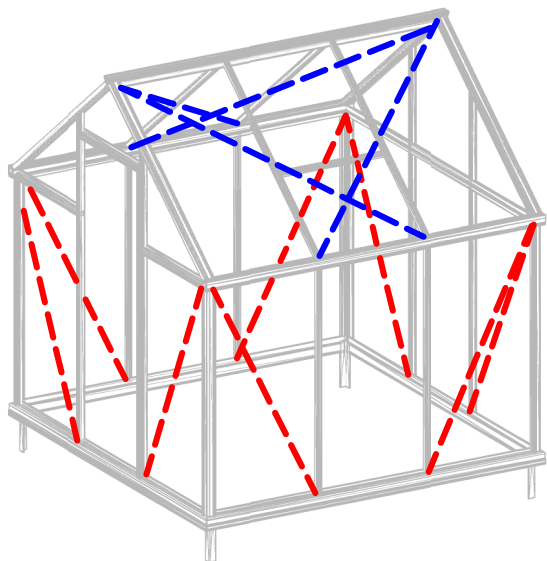
Note: Roof windows can be installed in any bay.

Note: When installing the roof profiles, make note of which bays will have roof windows and insert a bolt for the connection plate.

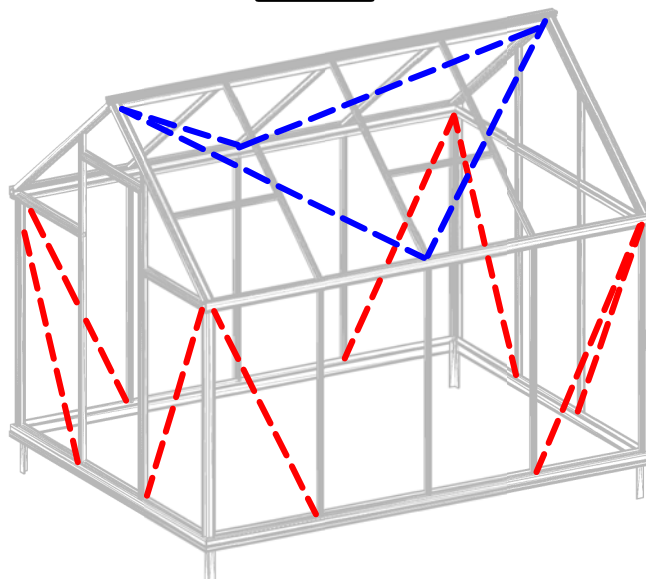
	ITEM	MM	J22	J23	J24
	PR07619	1.430 MM	4 pc.	6 pc.	8 pc.
	PR07619	708 MM	1 pc.	2 pc.	2 pc.
	M6X15		13 pc.	22 pc.	26 pc.



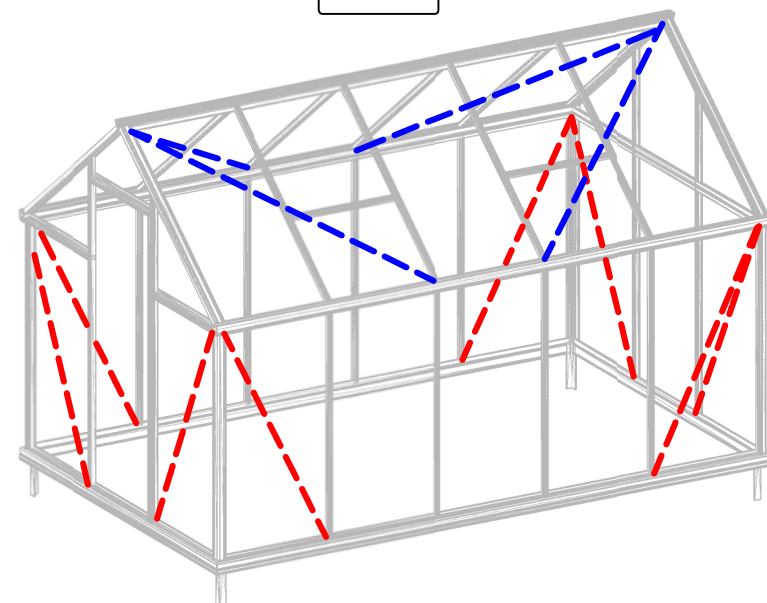
J22



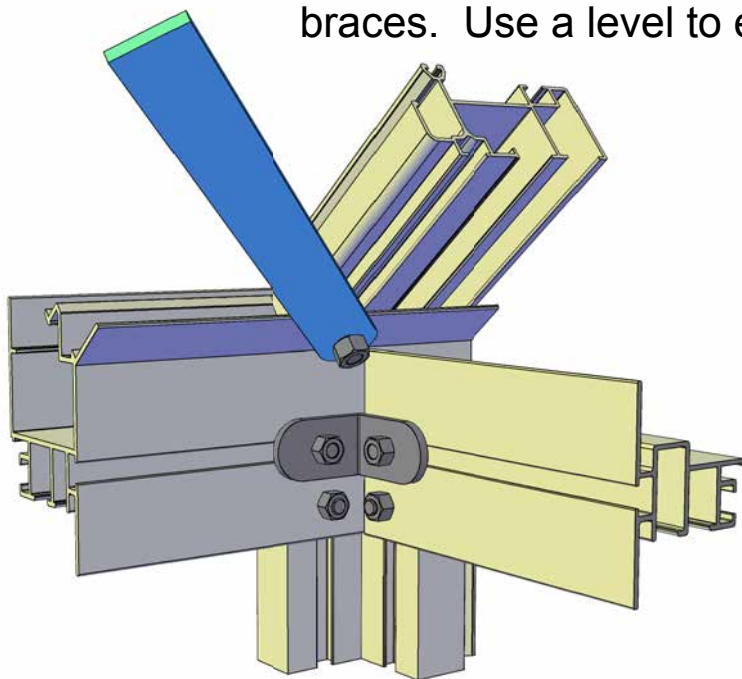
J23





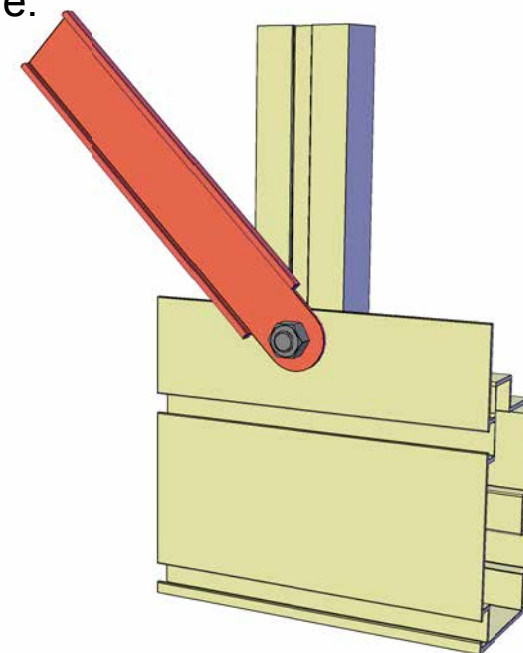
J24



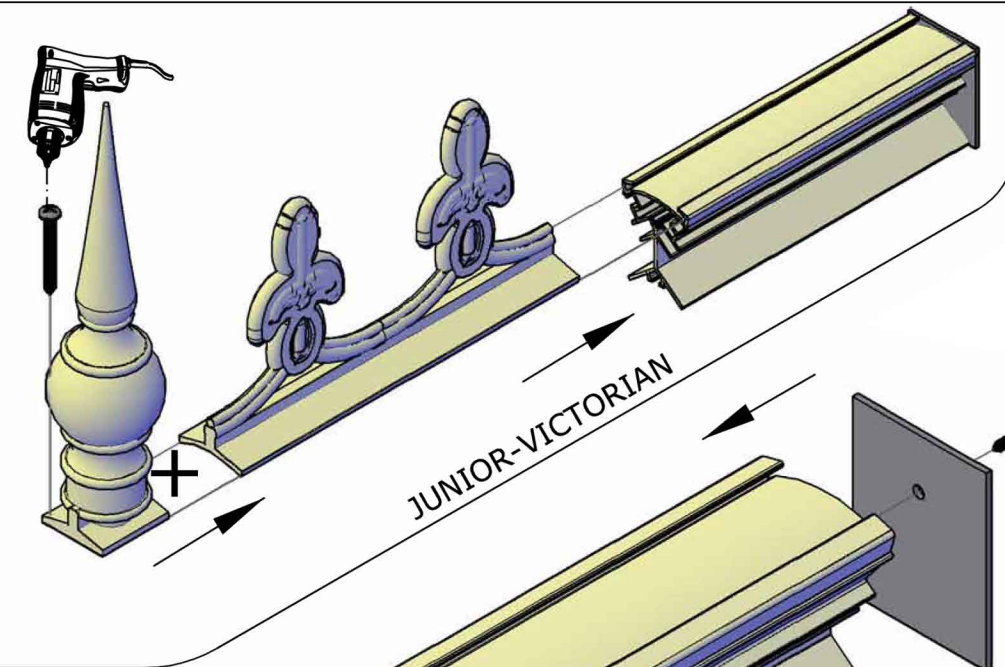
Note: Wait until assembly is complete before attaching the roof braces. Use a level to ensure greenhouse is square.



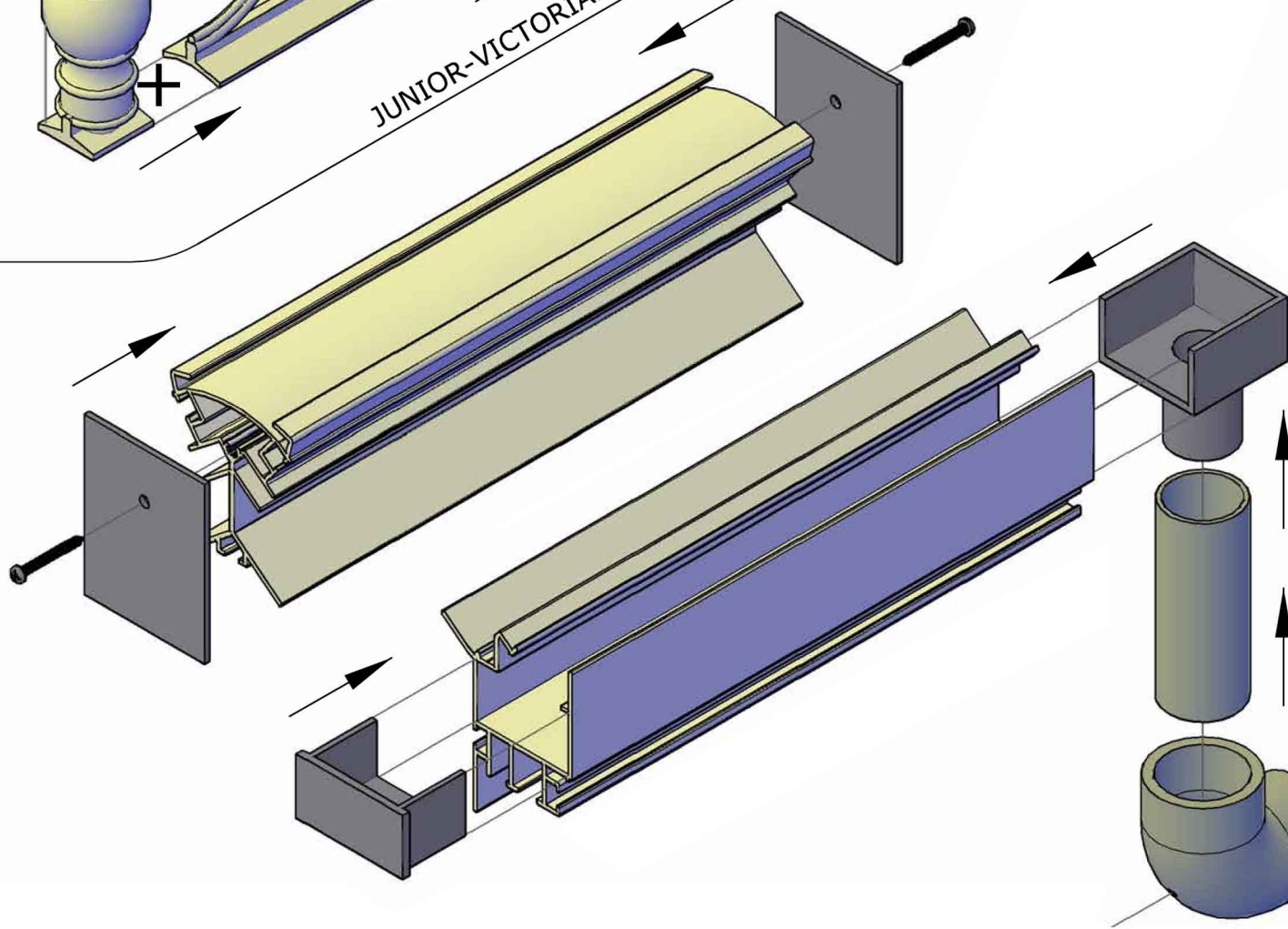
	ITEM	PC.	J22/23/24
	PLAT	4 pc.	2.051 MM
	TRE	8 pc.	1.611 MM



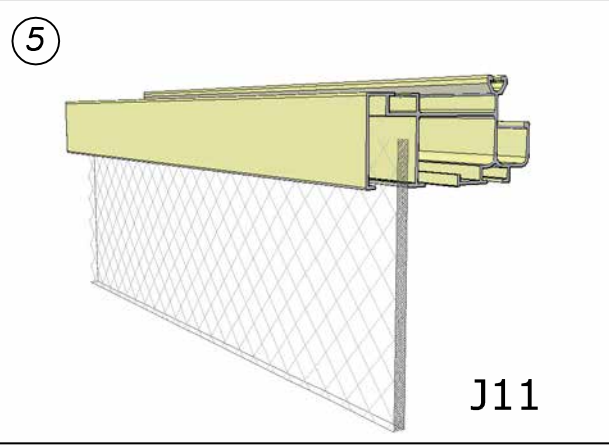
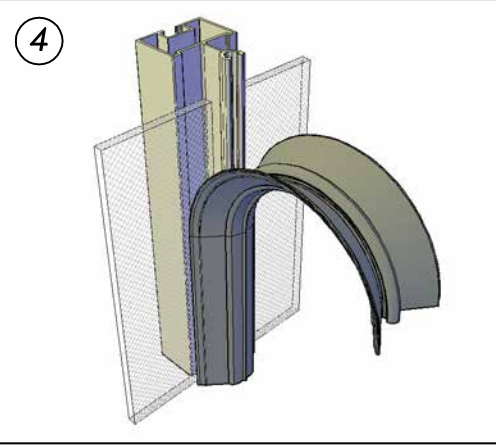
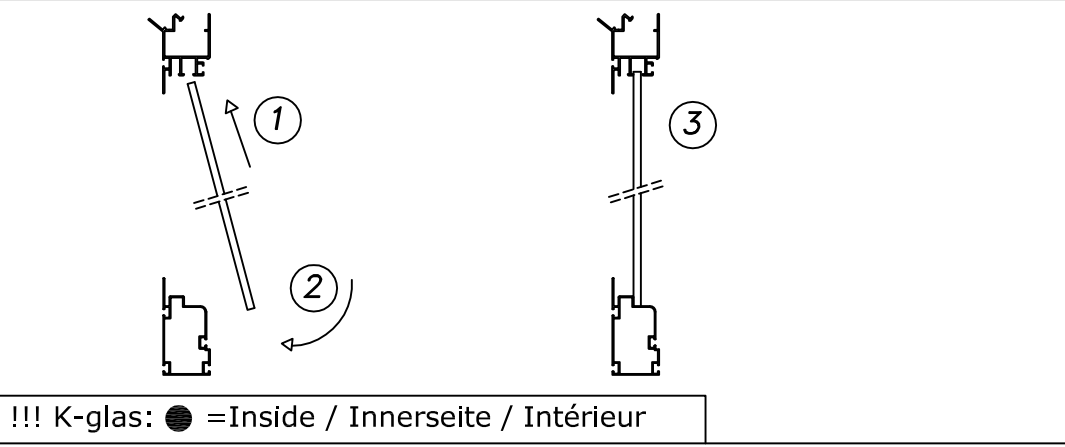
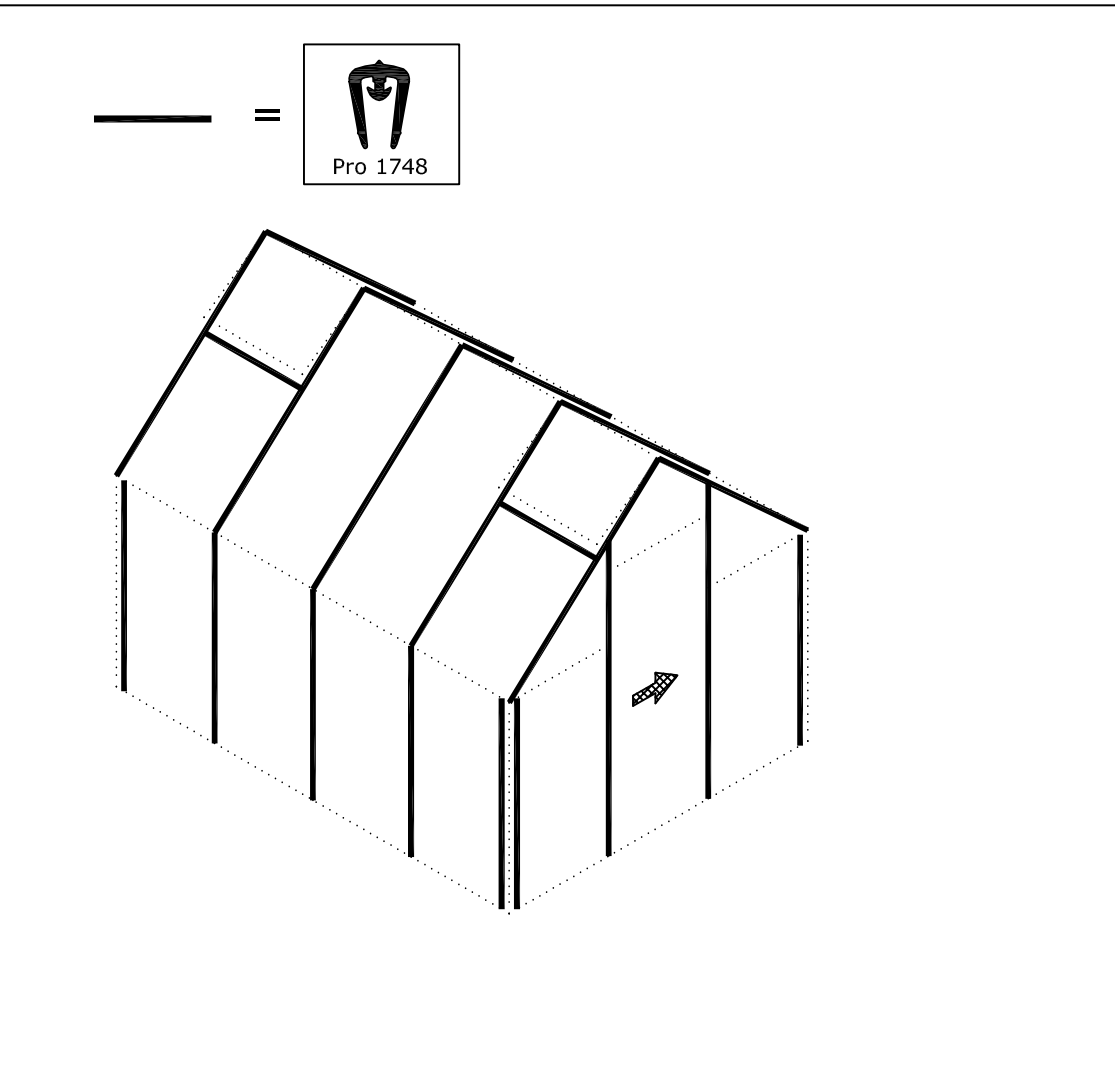
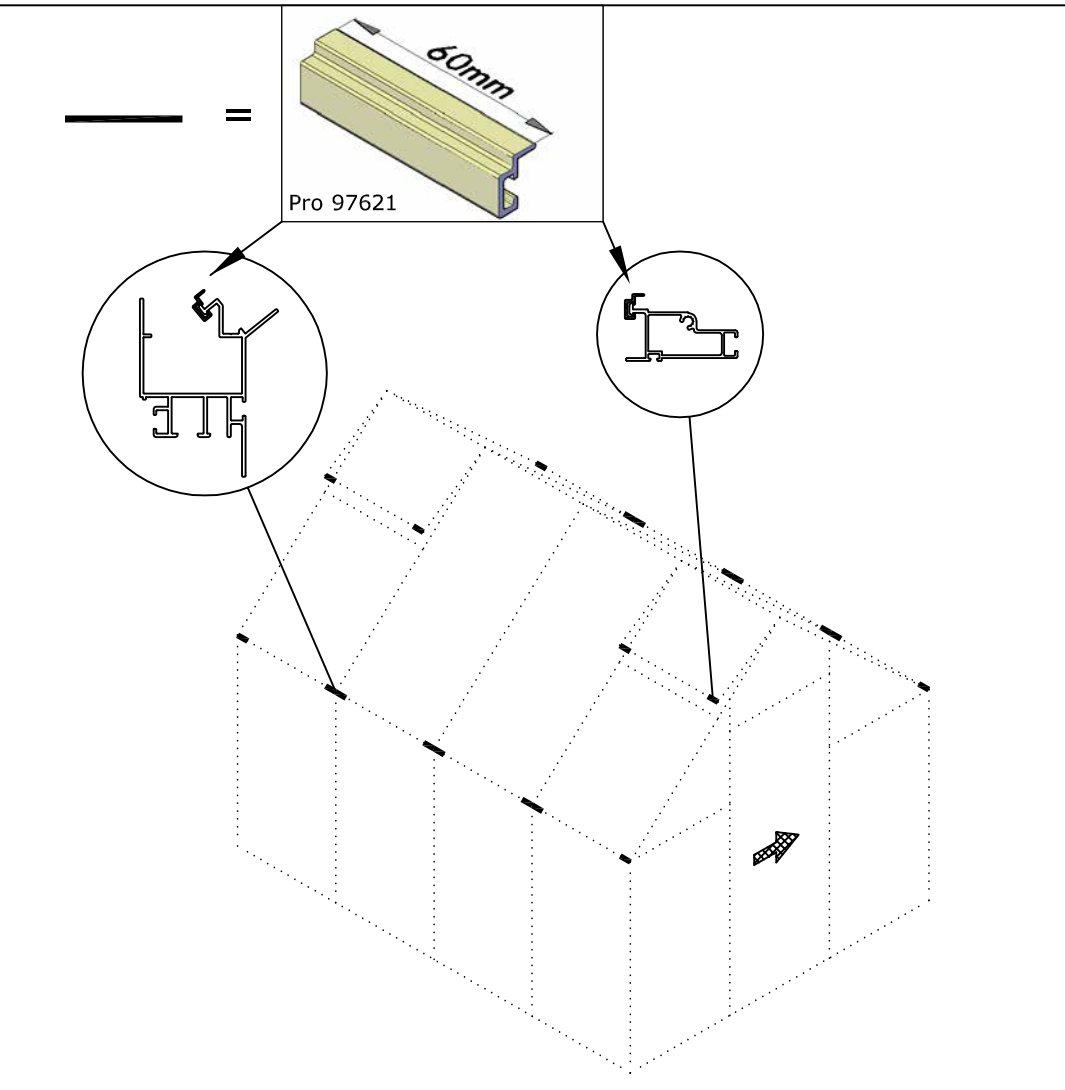




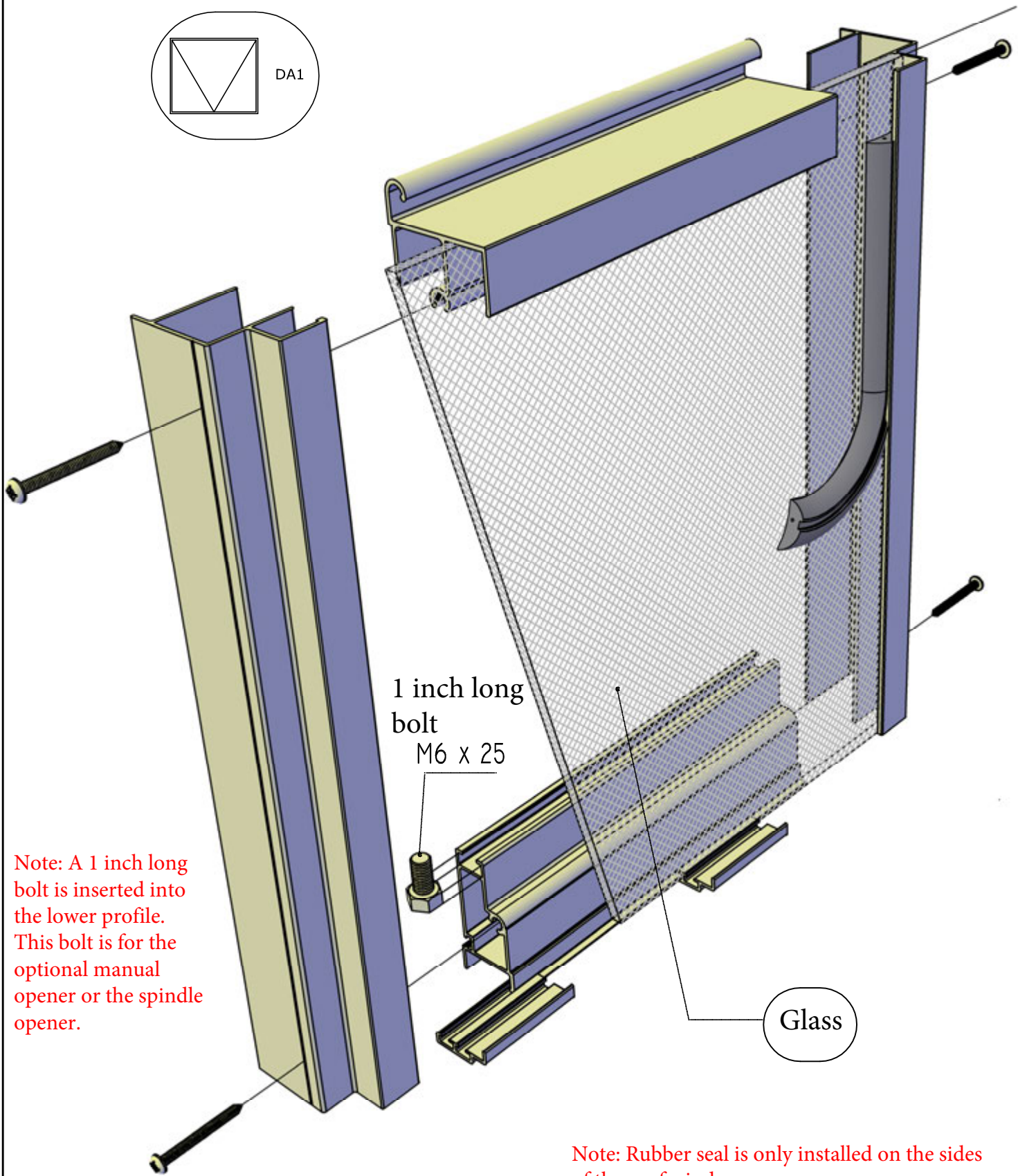
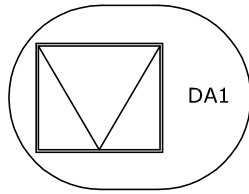
Notes on attaching the gutter downspout:  
Use a small self-tapping screw to attach the plastic gutter down spout to the gutter profile and also the down pipe to the plastic downspout (Shown below)



Note: The gutter down pipe is attached to the base of the greenhouse with a screw that goes through the back of the elbow. First, drill a small hole in the back of the elbow and then a small hole in the frame of the greenhouse for the screw to thread into. Run the screw through the hole on the inside of the elbow and into the greenhouse base.



# Roof Window



Note: A 1 inch long bolt is inserted into the lower profile. This bolt is for the optional manual opener or the spindle opener.

1 inch long bolt  
M6 x 25

Glass

Note: Rubber seal is only installed on the sides of the roof window.



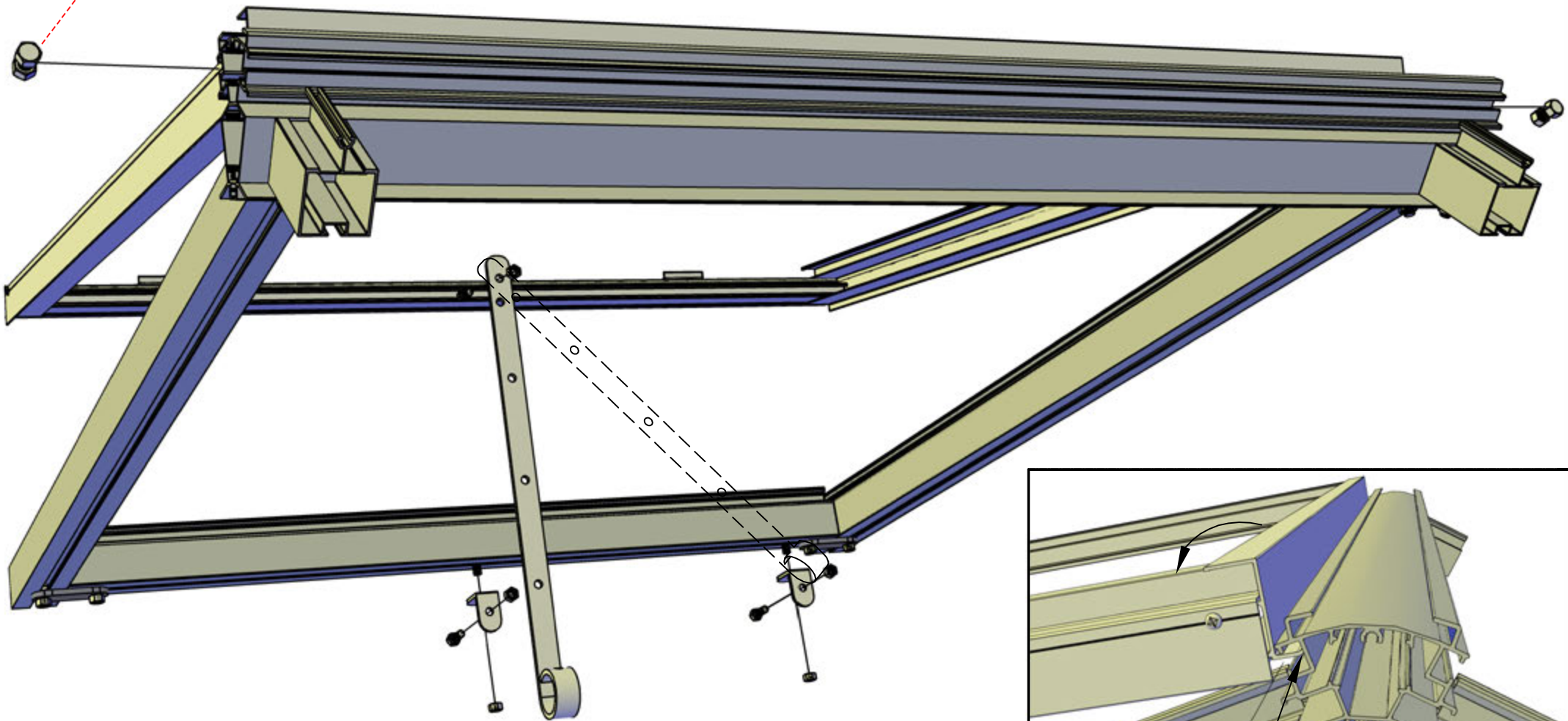
RUBBER E400330

DA1

# Roof Window Installation

Slide roof window into the roof beam from either end of the greenhouse. The hook part on the top of the roof window will slide into a groove in the roof beam. (shown below)

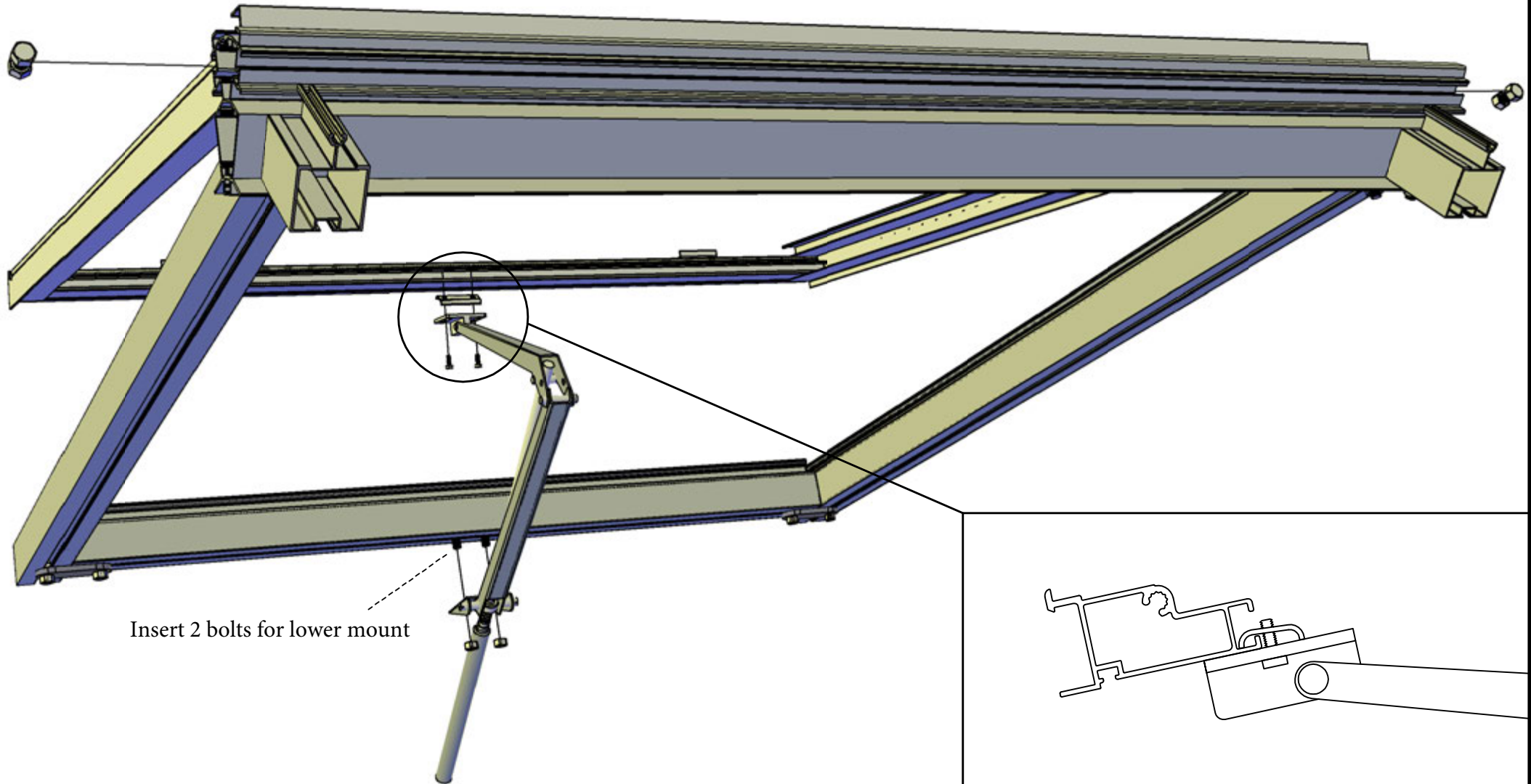
Note: Inserting a bolt on either side of the roof window will prevent it from moving side to side.



Manual Opener is shown above. This can be used in the winter when you want to secure the windows in the closed position.

# Automatic Opener

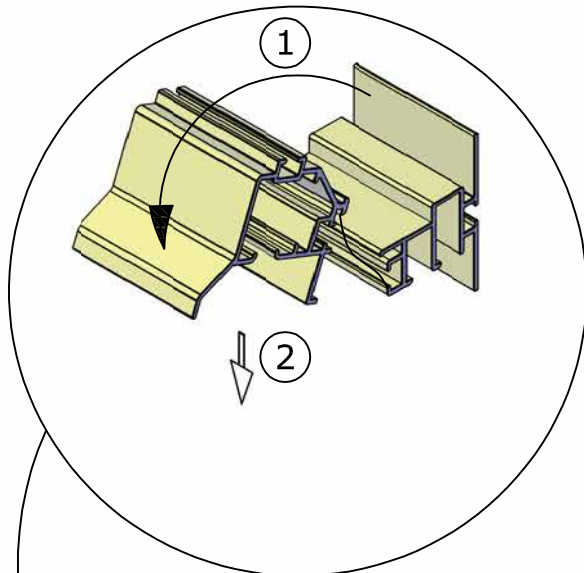
Installing the automatic opener requires 2 bolts to be inserted into the roof crossbar for the lower mount. The upper mount will clamp onto the lower roof window framing profile. (As shown in the diagram below)  
The automatic opener comes with its own instructions and care guide. These are located in the box with the opener.



# SLIDING DOOR (GUIDES)

STOP

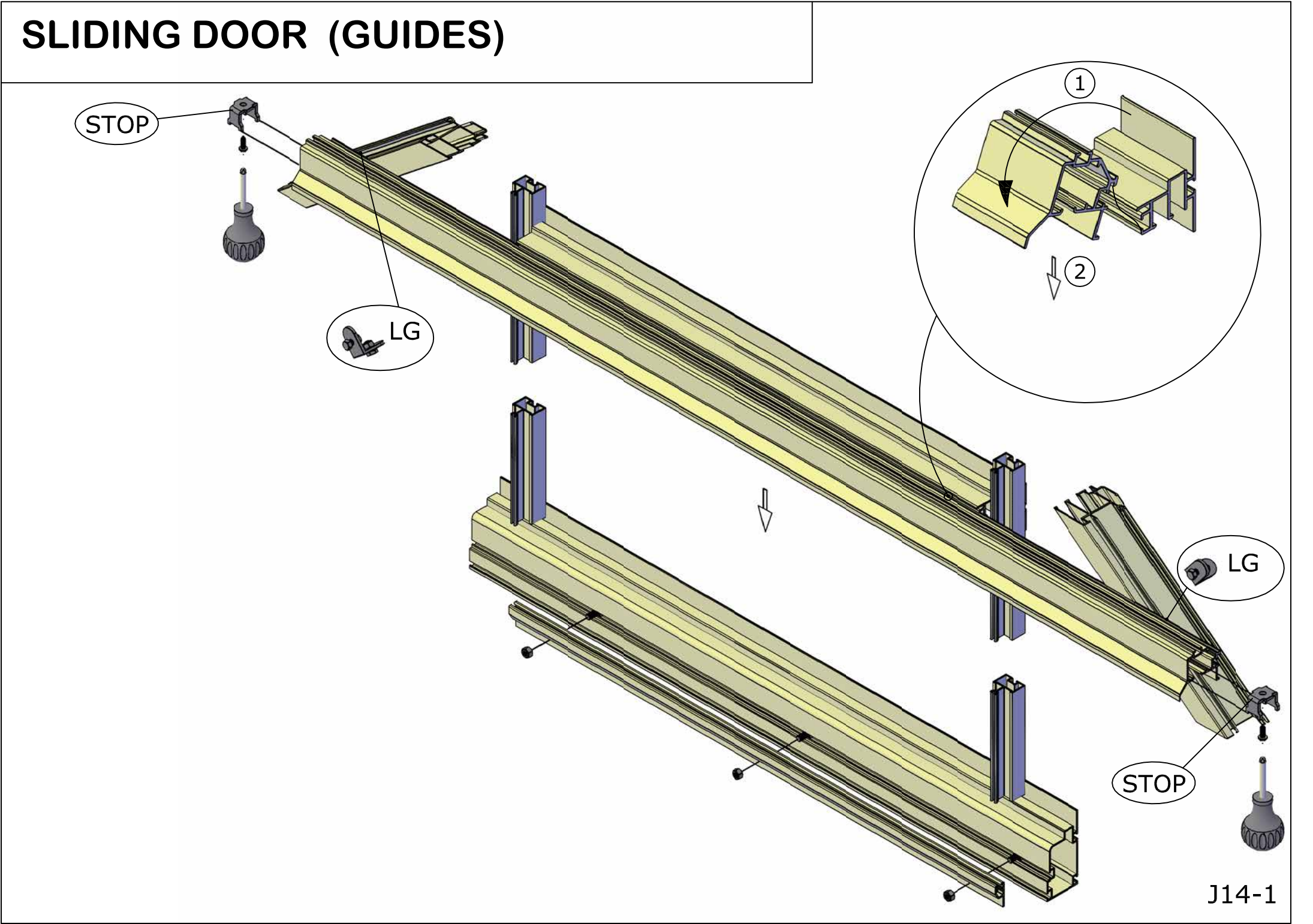
LG

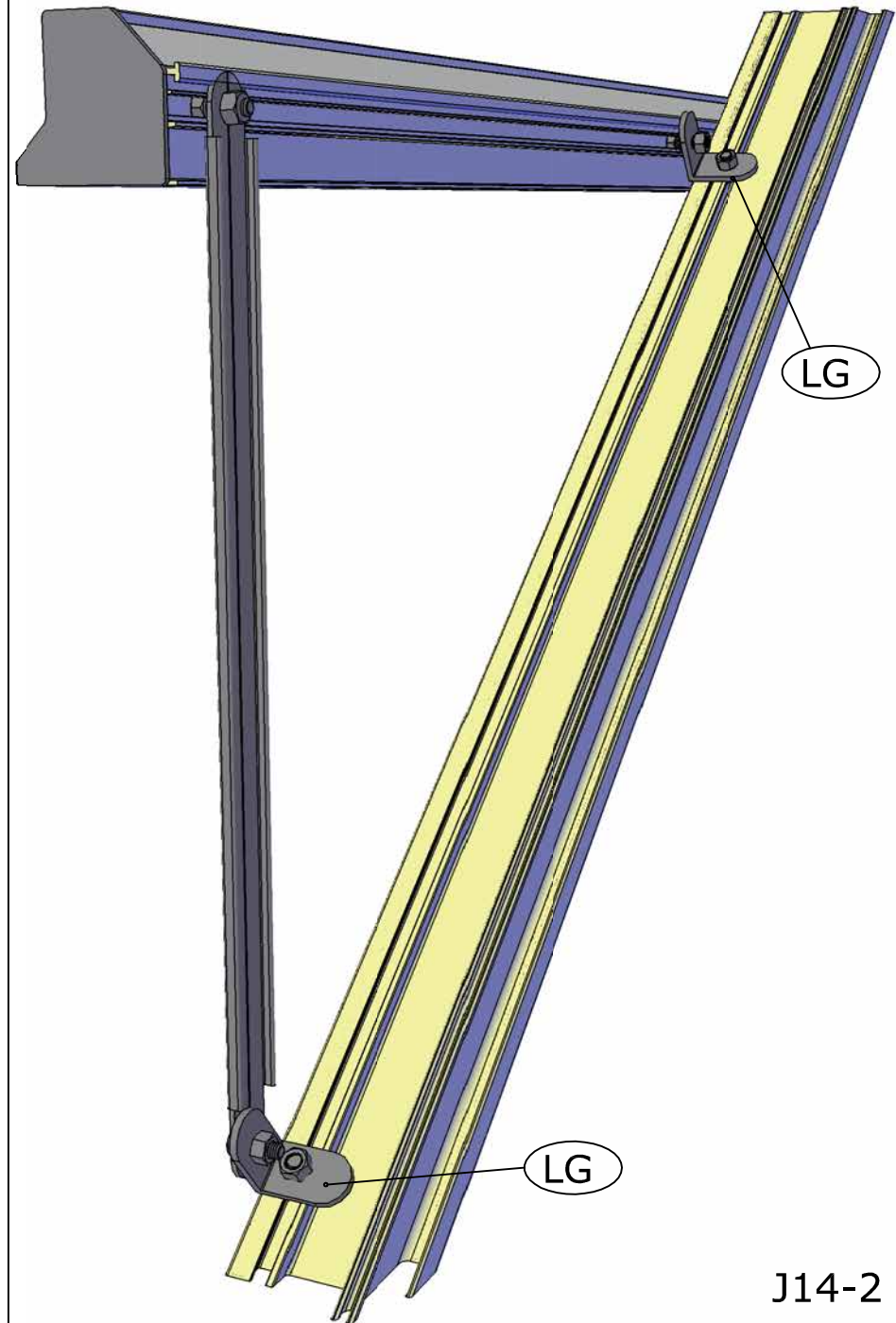
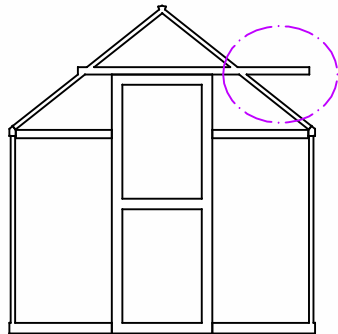
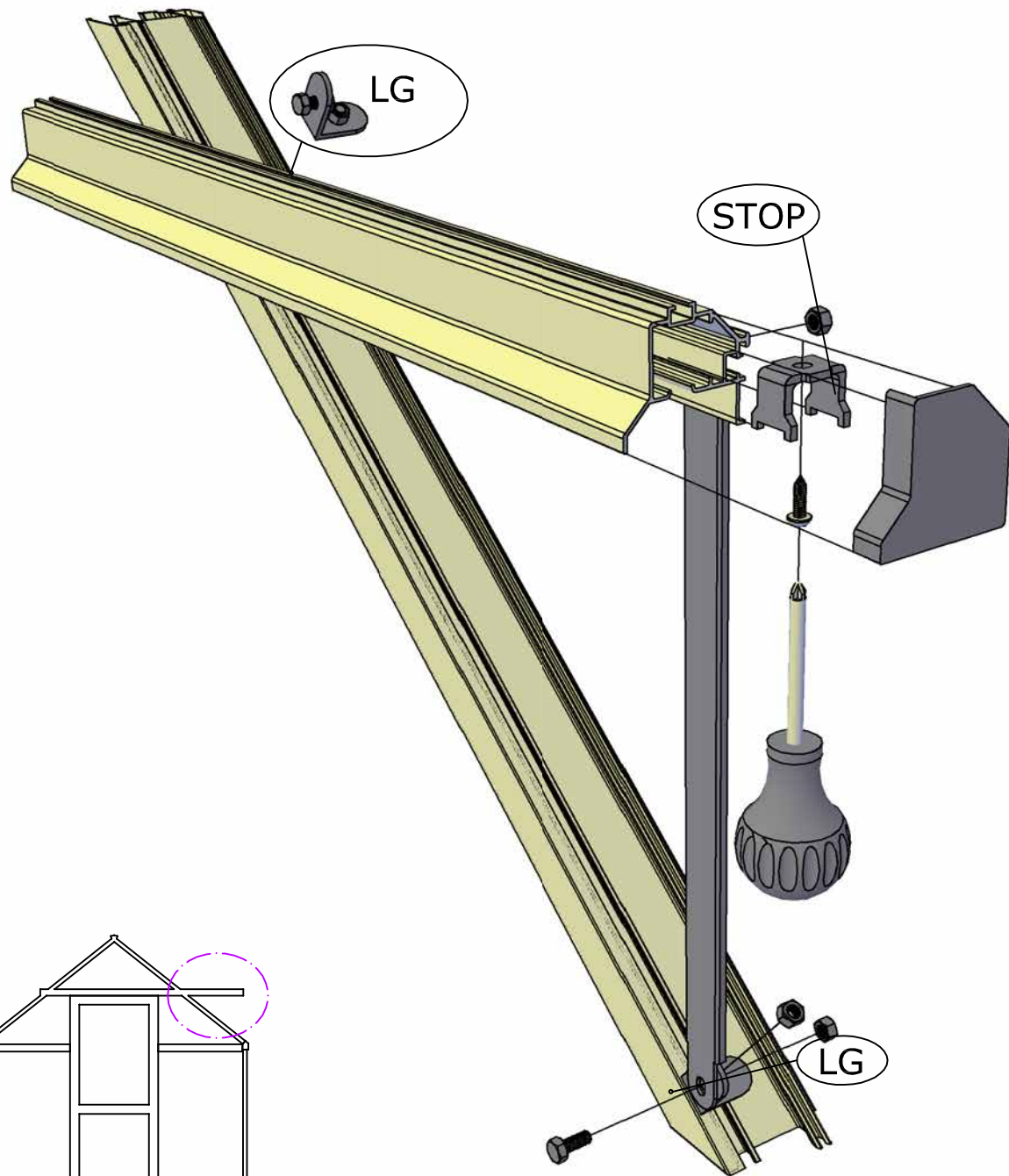


LG

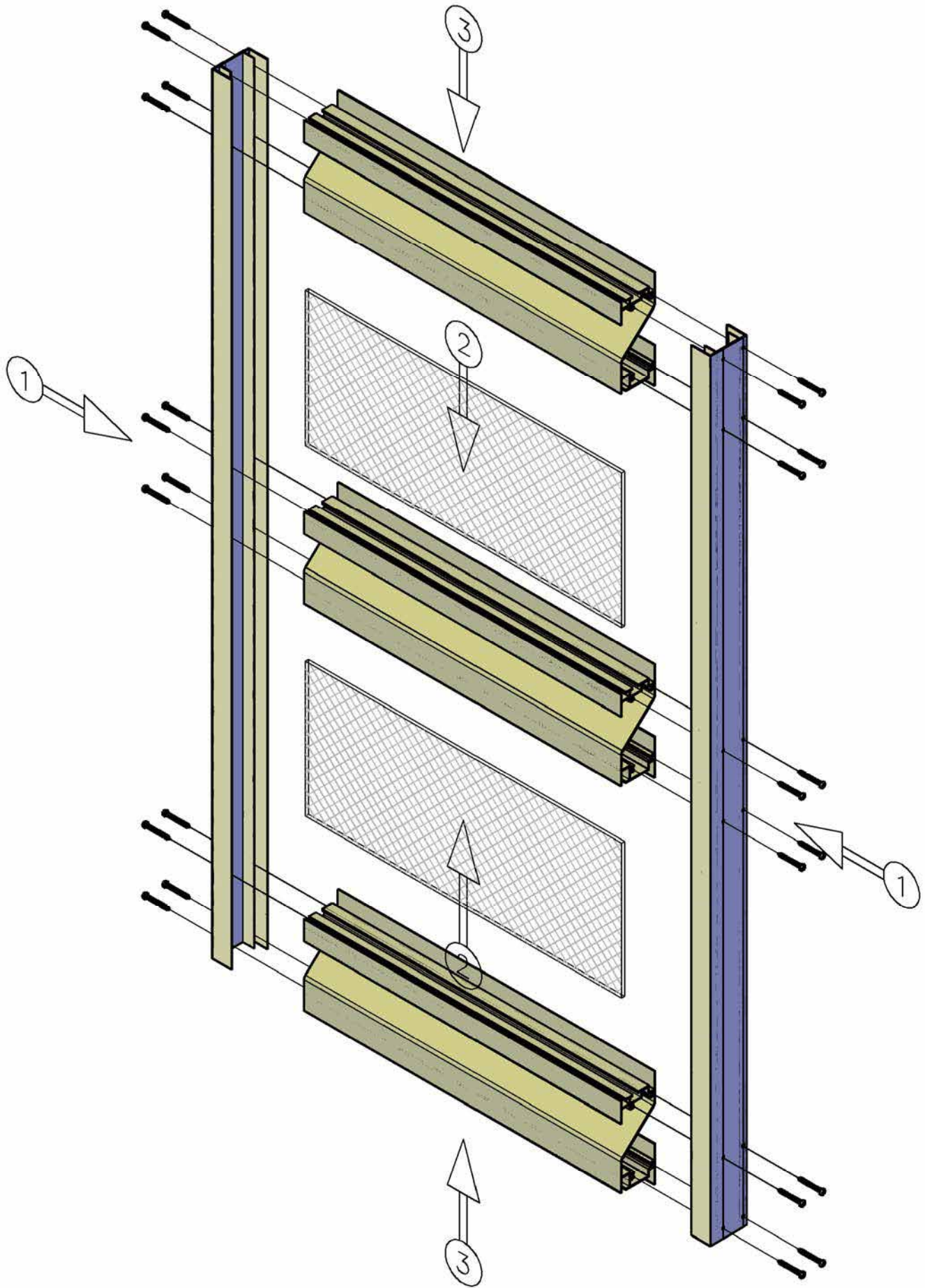
STOP

J14-1

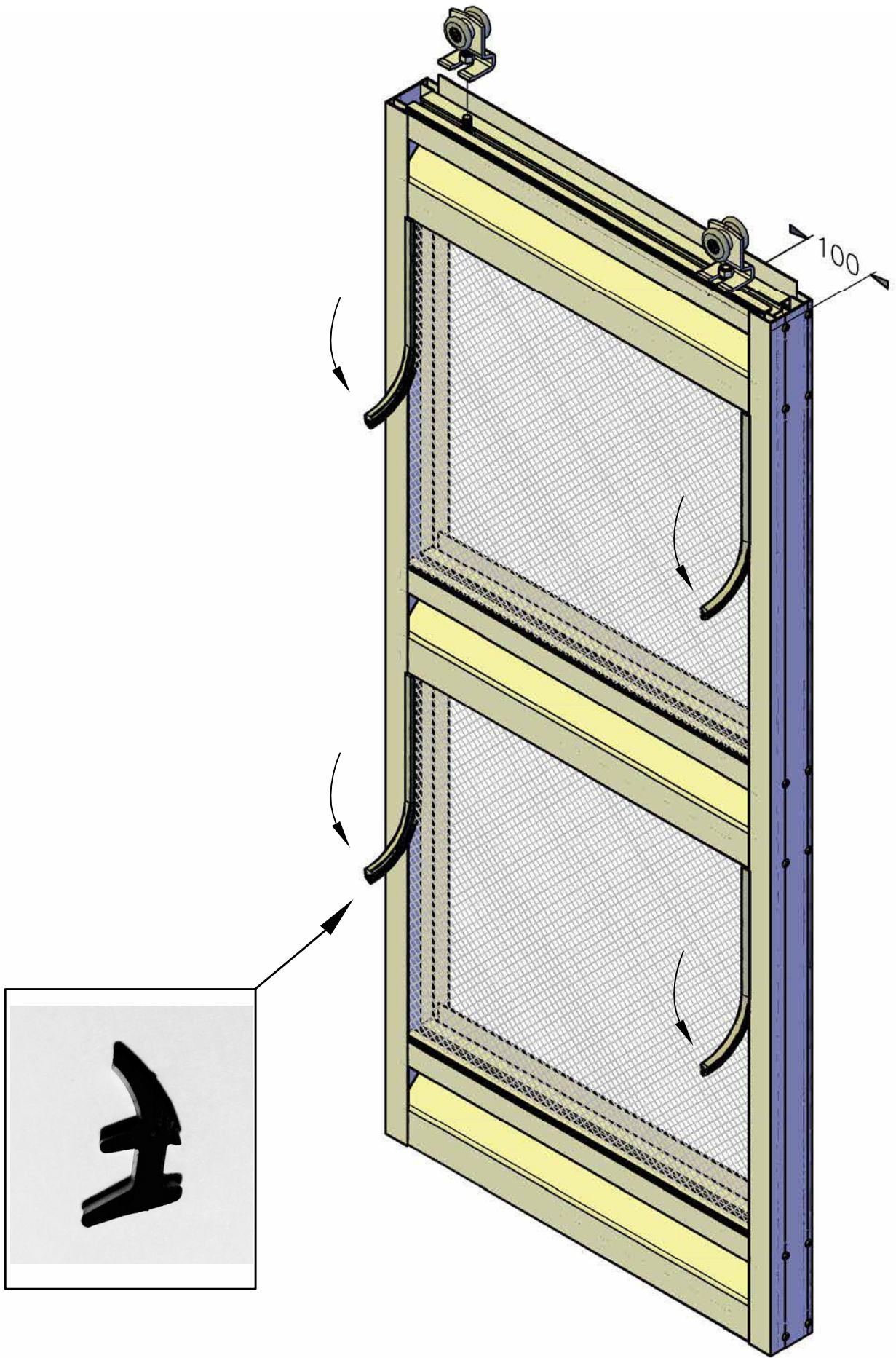




# SLIDING DOOR

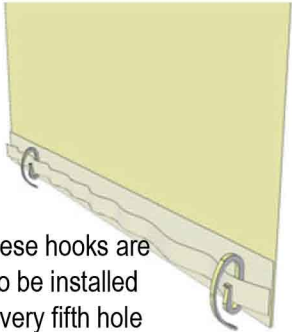




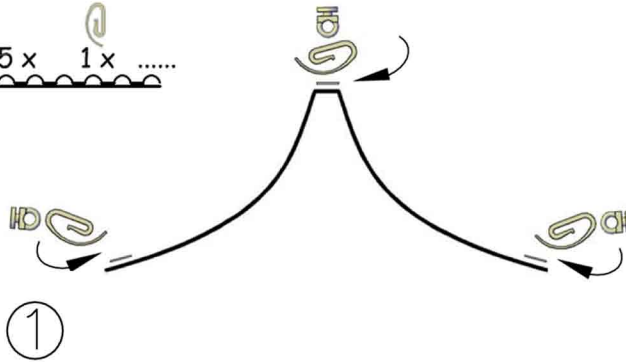


# SHADE CURTAIN (optional accessory)

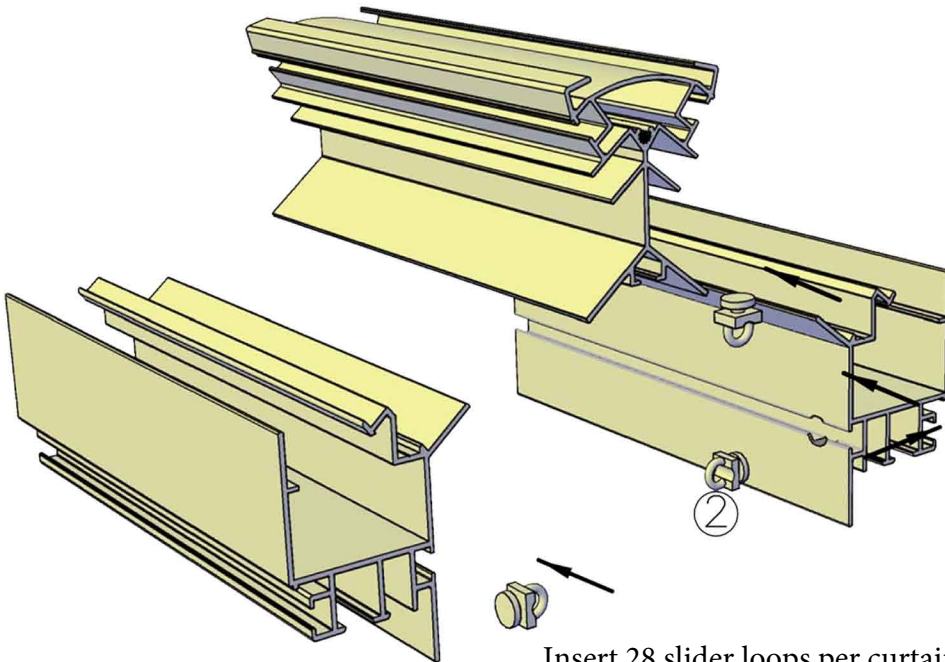
1 x 5 x 1 x 5 x 1 x .....



These hooks are to be installed every fifth hole



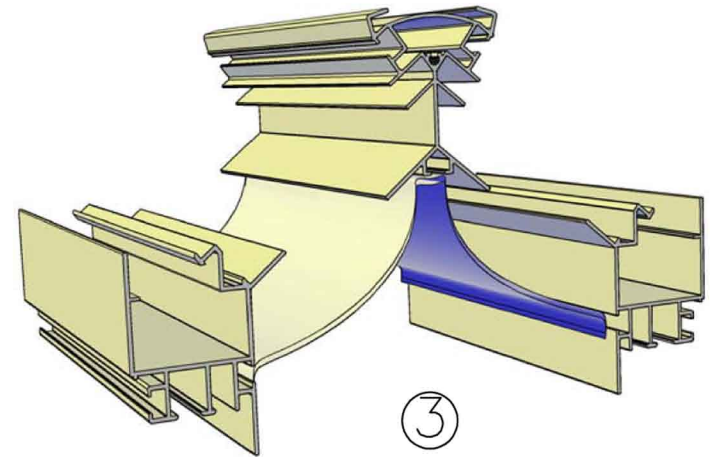
①



②

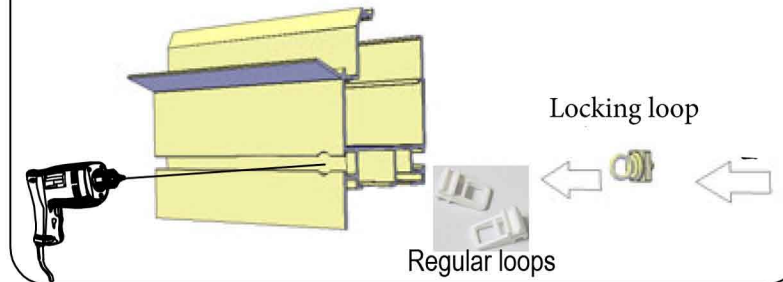
Insert 28 slider loops per curtain plus 1 twist-lock loop at the end

Note: 4 round locking loops are provided. They are installed in the ends of the curtain rails. This prevents the curtain ends from moving when you pull on them.



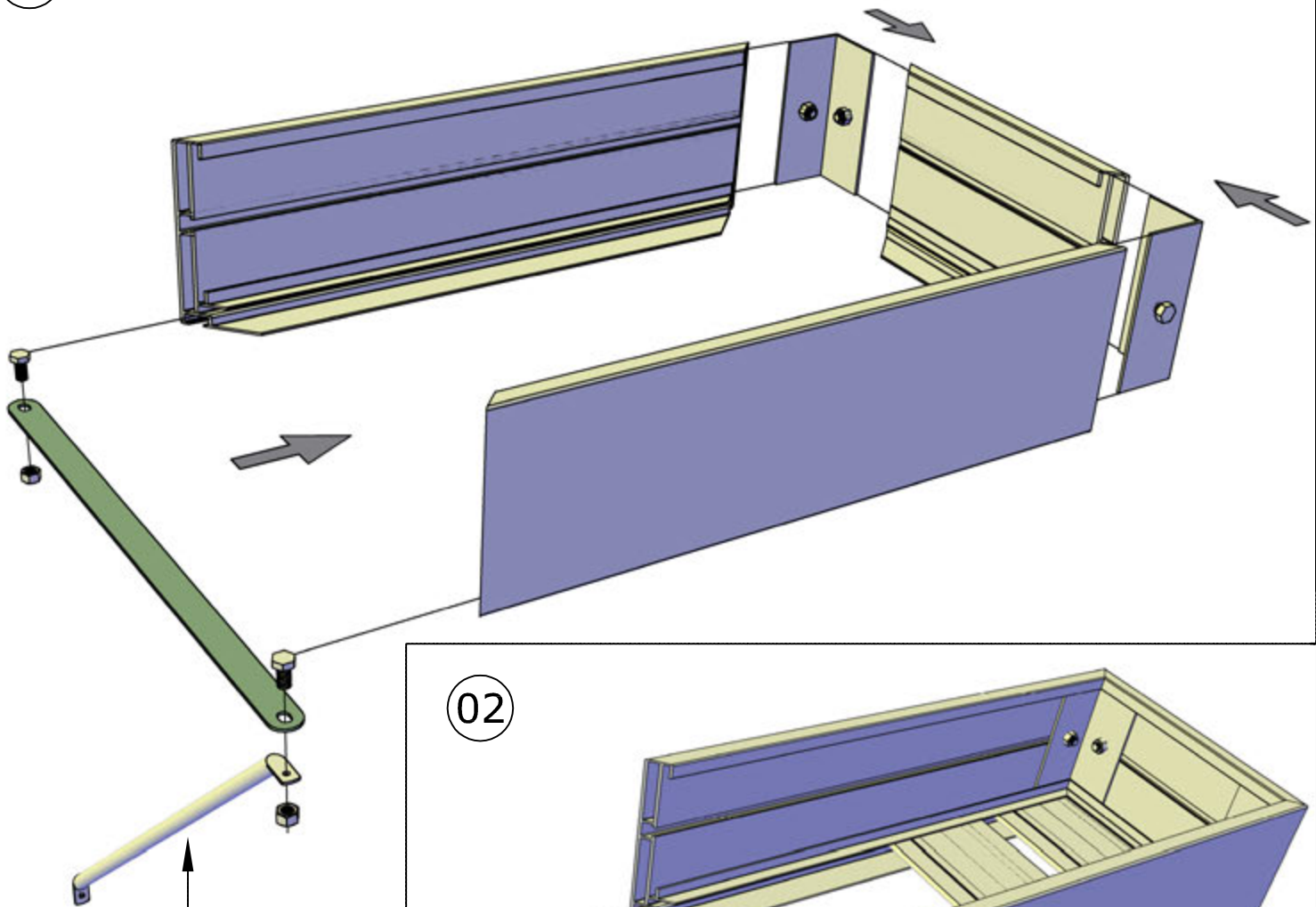
③

Suggestion: If you forgot to insert the curtain loops you can drill a hole as shown and slide them in.



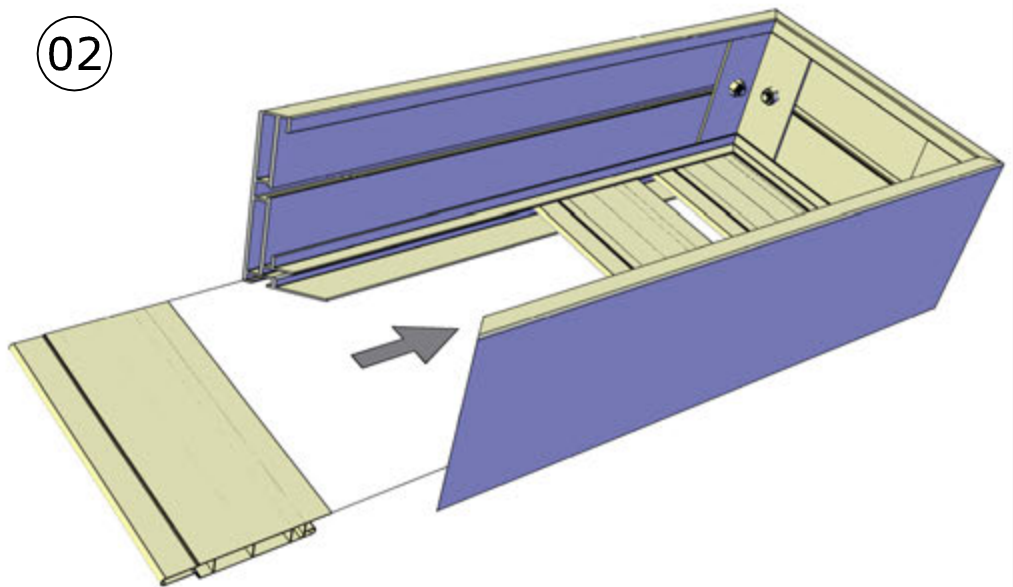
# Seed Tray (Optional Accessory)

01

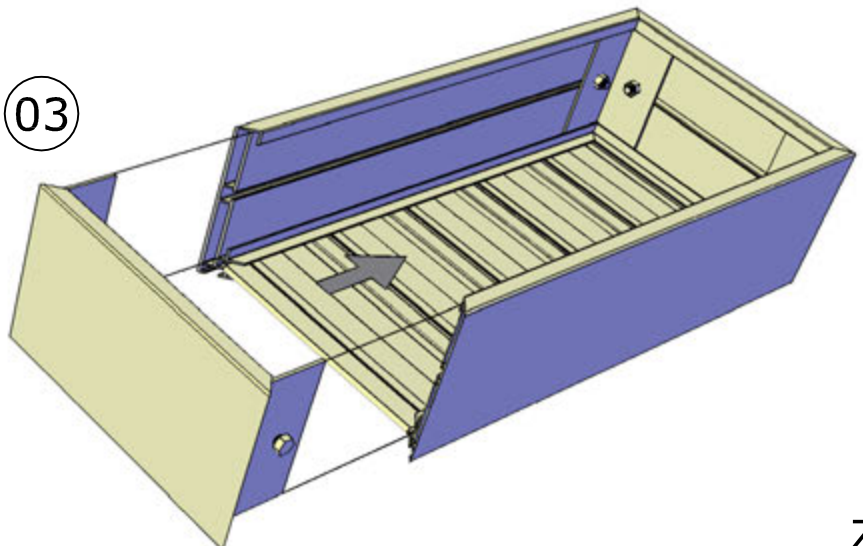


1 Support for every 10 foot section

02



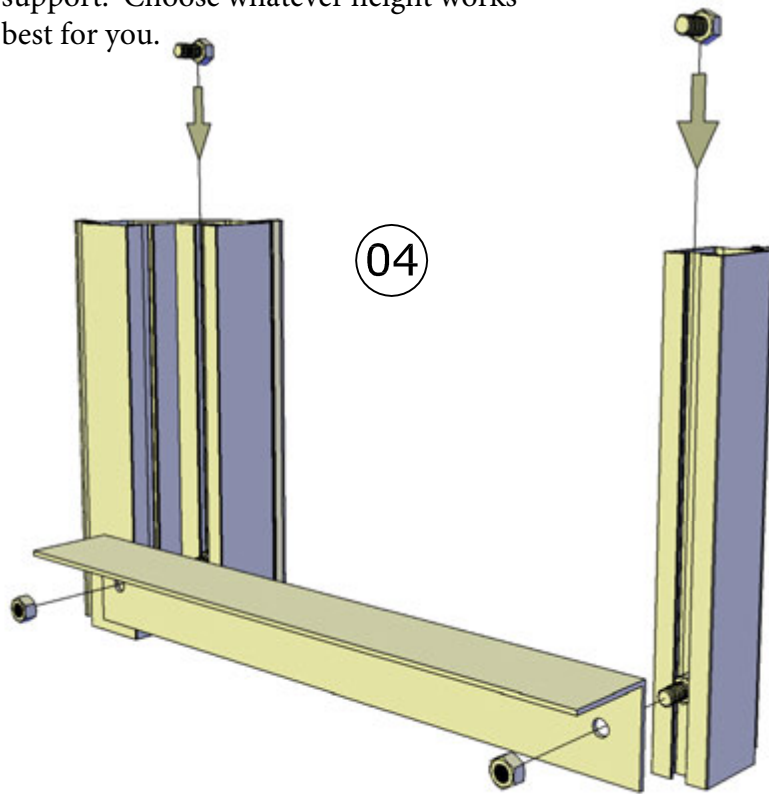
03



1. Assemble three sides of the seed tray.  
Note: Make sure to slide 1 bolt into the bottom of the front and back seed tray profiles.(2 for a Vi34)
2. Slide the shelving inserts in from the open end.  
You will need approximately:  
11 3/4 for a Vi23  
18 1/2 for a Vi34  
Note: The last shelving insert will need to be trimmed to fit.
3. Install the 4th side.

# Seed Tray (Optional Accessory)

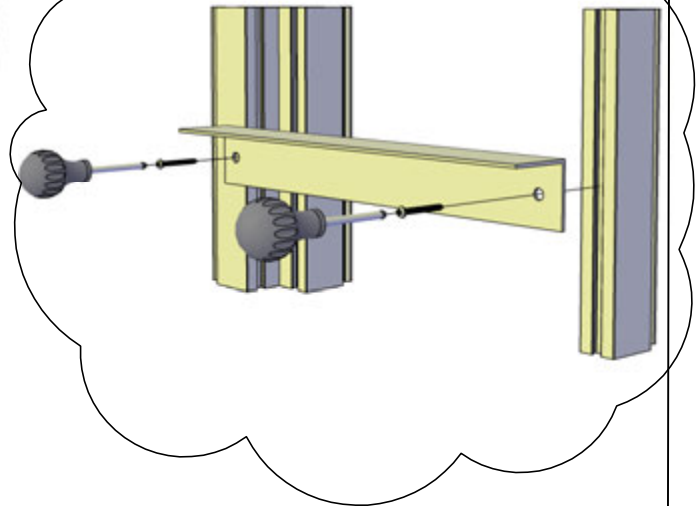
4. Use the bolts that you previously inserted into the uprights to mount the shelf end support. Choose whatever height works best for you.



04

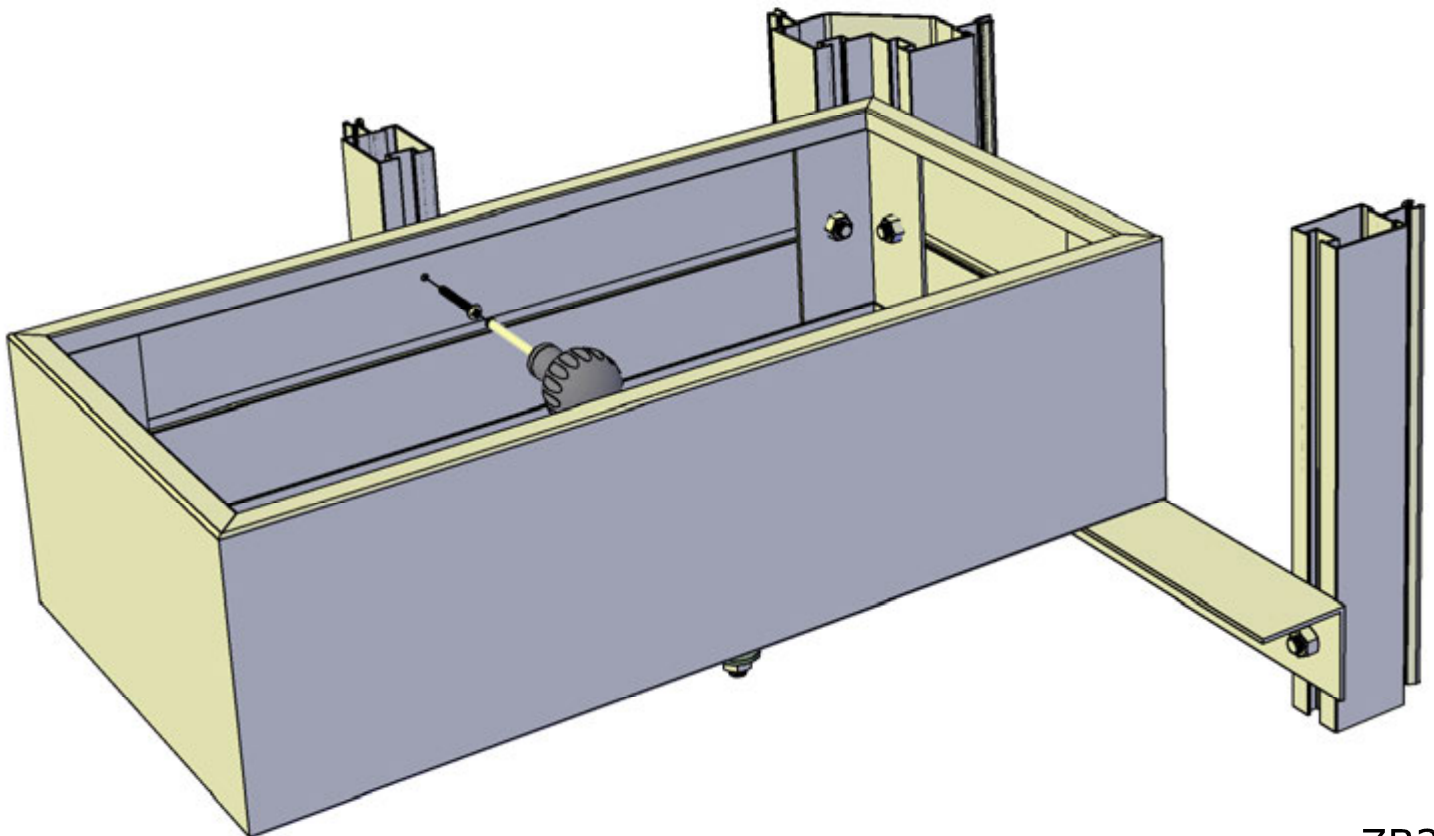
Note: If you have forgotten to insert the bolts you can use screws. Make sure to use a screw with a shaft size of at least 1/8th inch in diameter

04 alternative



5. Attach the seed tray to the uprights with self tapping screws. If you do not have self tapping screws drill a small pilot hole and use regular screws.

05



## Customer Service or Assembly Questions?

Give us a call  
Toll free: 1-877-760-8500  
customerservice@exaco.com  
Exaco Trading  
www.EXACO.com