

SPEAKMAN® VS-3411

Chelsea™ Hand Shower Combination

FEATURES:

- Hotel-inspired traditional design
- VS-3011 Anystream Chelsea™ hand shower, 60 in. hose with built-in vacuum breaker & arm bracket.
- VS-153-ADA slide/grab bar
- For use with standard U.S. plumbing connections
- Arm & flange not included.

FINISH:



PC BN

OPTIONS:

Add suffix to model #

- 2.0 gpm (7.6 L/min) flow rate -E2

COMPLIANCE:

- ASME A112.18.1/CSA B125.1 compliant
- WaterSense certified (E2) (VS-3011)

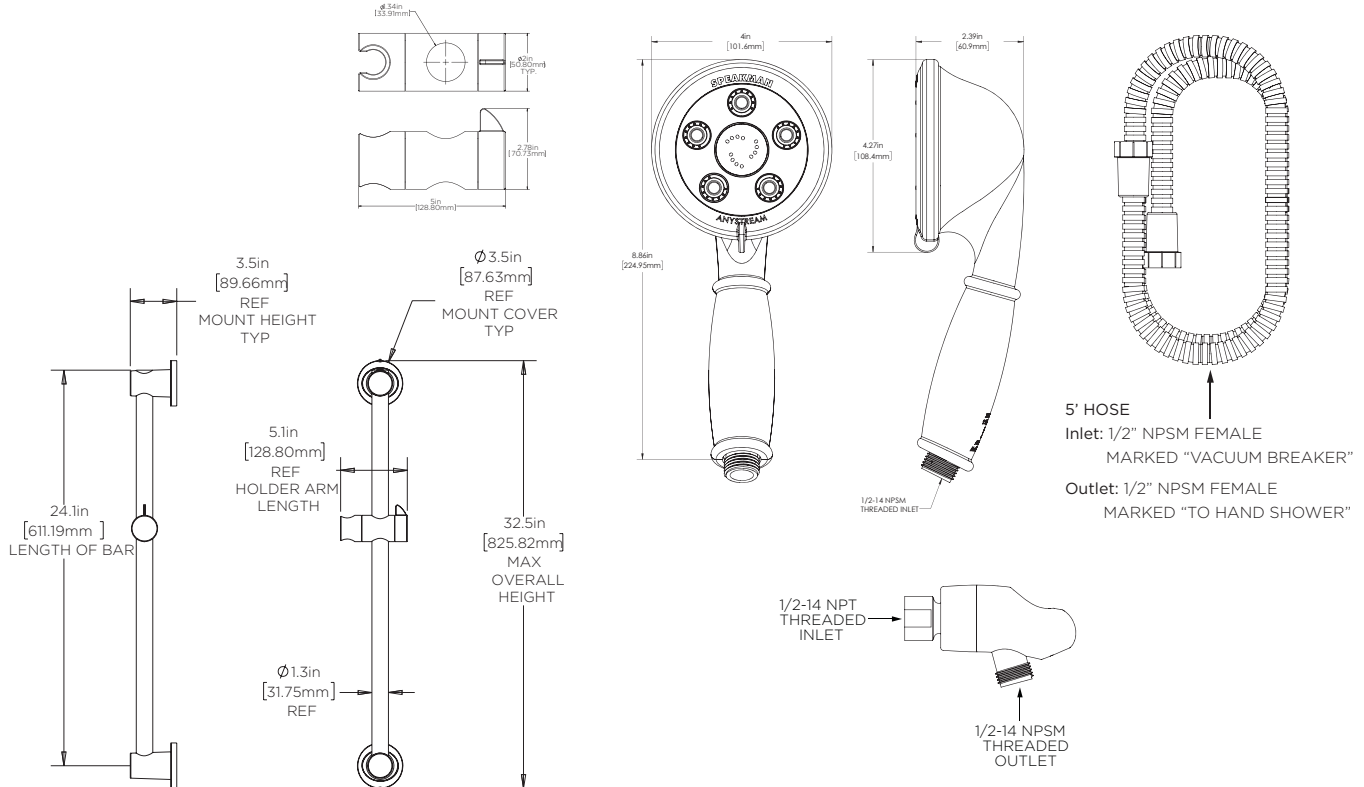
WARRANTY:

- 1 year limited



DIMENSIONS:

NOTE: 1. All dimensions are in inches (millimeters) unless otherwise specified and are subject to change without notice. 2. Meets the ANSI standard 250 lbs. pull-test for grab bars and ADA lever handle for adjusting slide bar. 3. The VS-153-ADA Slide Bar meets ADA pull force requirements only. It is not intended to replace an ADA Grab Bar.



Architect/Engineer Approval Space:

SPEAKMAN
400 ANCHOR MILL ROAD
NEW CASTLE, DE 19720

P: 800-537-2107
F: 800-977-2747
W: WWW.SPEAKMAN.COM
R: AUGUST 2017