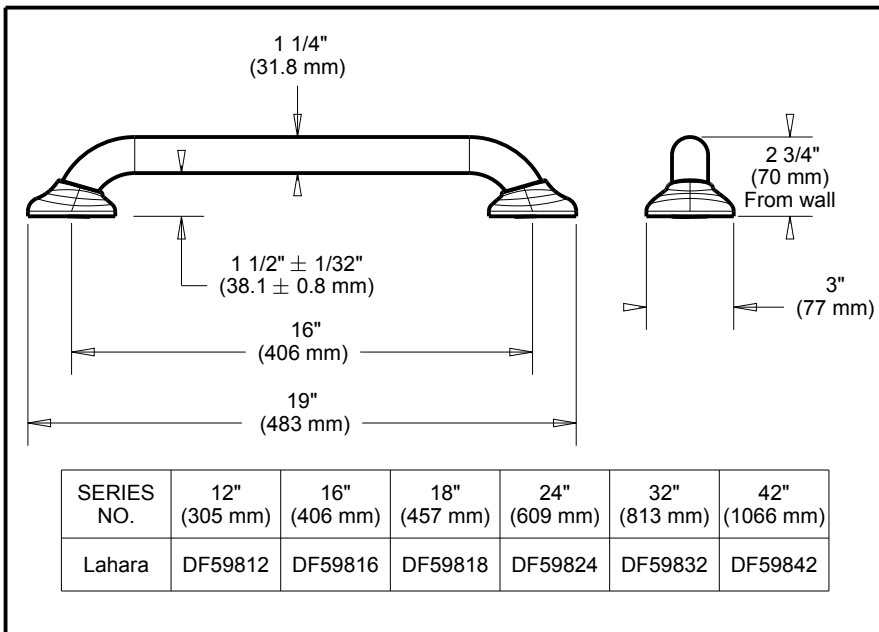


ACCESSORIES

- Lahara™ Bath Safety Collection
- Meets ADA Standards
- 12" Grab Bar
- 16" Grab Bar
- 18" Grab Bar
- 24" Grab Bar
- 32" Grab Bar
- 42" Grab Bar

Submitted Model No.: _____

Specific Features: _____



STANDARD SPECIFICATIONS:

- Wood blocking is preferable behind all wall surfaces. If wood blocking is not available, the supplied fasteners are recommended.
- Mounting hardware and mounting template included with product.
- Decorative ADA compliant grab bar when installed per accessibility guidelines of the act.

WARRANTY

- Lifetime Faucet and Finish Limited Warranty to the original consumer purchaser to be free from defects in material and workmanship.
- 5 Year Limited Warranty for usage in all industrial, commercial and business applications.

