

CALL US FIRST

Do not return to the store. For assistance with your installation, or for additional product information, call our customer service department at **1-866-635-4968**, or visit www.odl.com.

INSTALLATION INSTRUCTIONS

Transform Your Door. It's Simple.

A beautifully designed entry sets the stage for the rest of your home.

It's a wise investment that improves the look and value of your home and adds beauty to everyday living.

ODL® Doorglass is simple to install. No mess. No caulking. No delays in ordering.

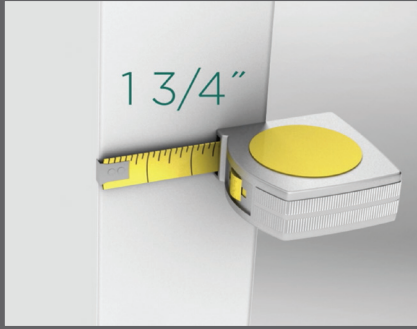
NOTE: These instructions reference a 22x36 inch doorglass unit. Your doorglass may be a different size and style. Regardless, the process will be the same referenced with these instructions.

HAVE A HELPER SUPPORT THE GLASS



INSTALLATION INSTRUCTIONS

FOR 1-3/4" THICK DOORS



STATEMENT OF INTENDED USE

ODL® Doorglass panels are for use in 1-3/4" thick residential steel and fiberglass doors.

THEY ARE NOT DESIGNED FOR USE IN WOOD DOORS, doors that do not have rigid steel frames, or as windows in a wall.

ANY MISUSE OR INSTALLATION OTHER THAN STATED WILL VOID THE WARRANTY.

CAUTION

**SAFETY
FIRST!**

When working with glass and frames, care should be taken. ODL Doorglass is made of tempered safety glass but **should be carefully supported at all times.**

The smaller sized glass can be installed vertically, but we recommend that the 22" x 64" glass be installed with the door off the hinges and lying down.

Because the frames and glass are heavy and of an awkward size, **two installers may be required** to remove the old glass from the opening and lift the ODL Doorglass.

TOOLS YOU WILL NEED

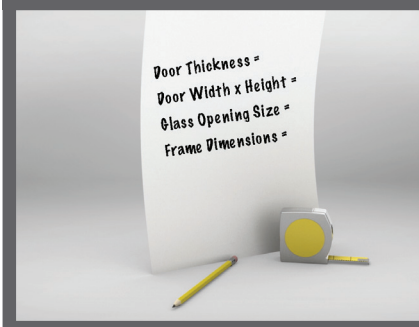


TOOLS

FIND A HELPER

- Safety Gloves
- Safety Glasses
- Dry Wall Screw (size optional)
- Power Screw Driver with Phillips Head Bit
- Putty Knife
- Window Cleaner
- Tape Measure
- Pencil
- Painter's Tape
- Drop Cloth

MEASURE TWICE FOR ACCURACY



DOORGLASS CONSTRUCTION

ODL Doorglass is made up of three different sections:

NOTE: These instructions reference a 22x36 inch doorglass unit. Your doorglass may be a different size and style. Regardless, the process will be the same referenced with these instructions.

OUTSIDE FRAME & DOORGLASS

OUTSIDE FRAME AND GLASS



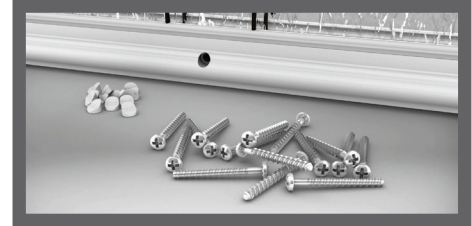
INSIDE FRAME

The inside frame section with holes for the attachment screws.

INSIDE FRAME WITH SCREWS



SCREWS & SCREW PLUGS



The attachment screws are placed into the doorglass from the inside of the home for added security.

REPLACEMENT GLASS INSTALLATION INSTRUCTIONS

1 MEASURE THE EXISTING OPENING

ODL Doorglass is intended to be used as a replacement product. Existing doorglass must be removed prior to installing this product.

Removal may make the existing doorglass or sidelight unusable. If you have questions or concerns, consult with an ODL Customer Service Representative at 800.253.3900 for help.

MEASURE THE THICKNESS of the existing door. ODL Doorglass is designed to **FIT DOORS THAT ARE 1-3/4" ± 1/16" THICK.**

MEASURE THE WIDTH AND HEIGHT of the existing doorglass. If the measurements correspond to the chart, ODL Doorglass will fit your door.

Doorglass Size*	Maximum width of existing frame	Maximum height of existing frame
22x36	24"	38"
20x36	22"	38"
22x64	24"	66"
20x64	22"	66"
22x48	24"	50"
8x36	10"	38"
8x64	10"	66"
7x64	9"	66"
8x48	10"	50"

FOR 1-3/4" THICK DOORS



WIDTH AND HEIGHT



REPLACEMENT GLASS INSTALLATION INSTRUCTIONS

2 REMOVE FRAME & GLASS

A. LOCATE SCREWS AND REMOVE THEM

Old paint, putty, or caulk may need to be removed from the screw plugs first. **REMOVE ALL SCREW PLUGS AND ALL ATTACHMENT SCREWS.**

WE RECOMMEND THAT THE 22"X 64" GLASS BE INSTALLED WITH THE DOOR OFF THE HINGES AND LYING DOWN

USE DRYWALL SCREW TO REMOVE SCREW HOLE PLUGS



HAVE A HELPER SUPPORT THE GLASS



B. REMOVE INNER FRAME

Once the screws are removed, have a helper stand on the outside of the door and hold the frame. **REMOVE THE INNER FRAME.**

CAREFULLY PRY FRAME LOOSE



C. LOOSEN OUTER FRAME

Apply painter's tape to protect the outside surface. **INSERT THE PUTTY KNIFE** between the outer frame and the door to break the old caulk seal.

TIP: Spray window cleaner around outer frame's edge to help release caulk.



REMOVE EXISTING DOORGLASS



D. REMOVE EXISTING DOORGLASS

While wearing safety glasses and gloves, **GENTLY REMOVE THE EXISTING GLASS.**

REMOVE EXCESS CAULK & DIRT



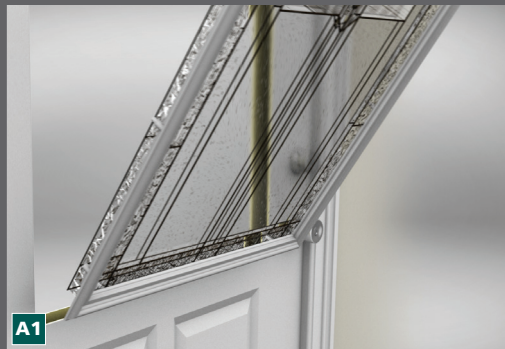
E. CLEAN & PREPARE DOOR SURFACE

After the doorglass has been safely removed, **CAREFULLY SCRAPE** any old or excess caulk and dirt from the inside and outside openings.

REPLACEMENT GLASS INSTALLATION INSTRUCTIONS

3 INSTALLING NEW DOORGLASS

LIFT NEW EXTERIOR FRAME/GLASS INTO POSITION



LIFT NEW EXTERIOR FRAME/GLASS INTO POSITION



A1. Have a helper lift the new exterior doorglass frame and glass into position from the outside.



- The new doorglass should be installed with the temper stamp at the bottom of the door and facing inside home.
- The screw hole side of your frame should be installed on the inside of the door.

INSERT BOTTOM OF NEW INTERIOR FRAME



A2. At the same time from the inside insert the bottom of the new interior doorglass frame.

SET AND BALANCE DOORGLASS



B1. From the exterior have a helper rest and balance the doorglass along the bottom of the exterior and interior frame to ensure that the weight of the glass is distributed evenly.

INSERT BOTTOM SCREW



B2. From the inside insert a screw into each screw hole at the bottom of the frames only. Tighten screws about halfway. (Screws will be tightened further in step 3-D)

REPLACEMENT GLASS INSTALLATION INSTRUCTIONS

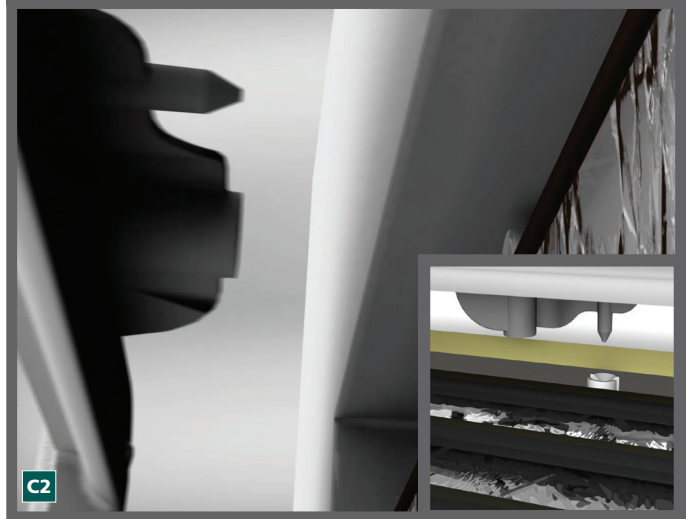
3 INSTALLING NEW DOORGLASS CONTINUED

FRAME AND DOODGLASS SNUG AGAINST DOOR



C1. From the outside have a helper tilt the top of exterior frame and glass into position against the door. With the edge of the exterior frame and doorglass snug against the door.

ALIGN WITH SCREW HOLE GUIDES



C2. Align the frames by matching the screw hole guides

INSERT SCREWS



D. Insert each screw working from side to side. Tighten firmly so that the frame fits snugly against the door and the seal is compressed. Remember to tighten the bottom screws. **AVOID OVERTIGHTENING THE SCREWS** to allow the window to expand and contract.

E. Align the screw plugs with the frame profile. Insert and tap each one into place.

PLACE DOOR BACK ON HINGES



F. If you removed your door from its hinges, place the door back on its hinges. Use standard window cleaner to make your new doorglass shine.

FINISHING THE FRAME

CONSIDER PAINTING OR STAINING THE DOORGLASS FRAME TO COORDINATE WITH YOUR DOOR FINISH.

The Evolve Frame is constructed of UV resistant material which will not discolor. It can be left unpainted, painted, or stained to match your home's decor. Contact ODL Customer Service if you need assistance.

WARRANTY INFORMATION

ODL Doorglass Warranty Information

ODL Doorglass is covered by a limited 20 year warranty. Labor is not included in the warranty. The warranty does not apply to damage from shipping, handling, installation, storage, environmental conditions, or unusual service conditions or usage.

For warranty information contact:

ODL Customer Service, 215 East Roosevelt Ave., Zeeland, MI 49464.

www.odl.com

1.800.253.3900



215 East Roosevelt Ave., Zeeland, MI 49464
800.253.3900 www.odl.com

214037 • (04/20)