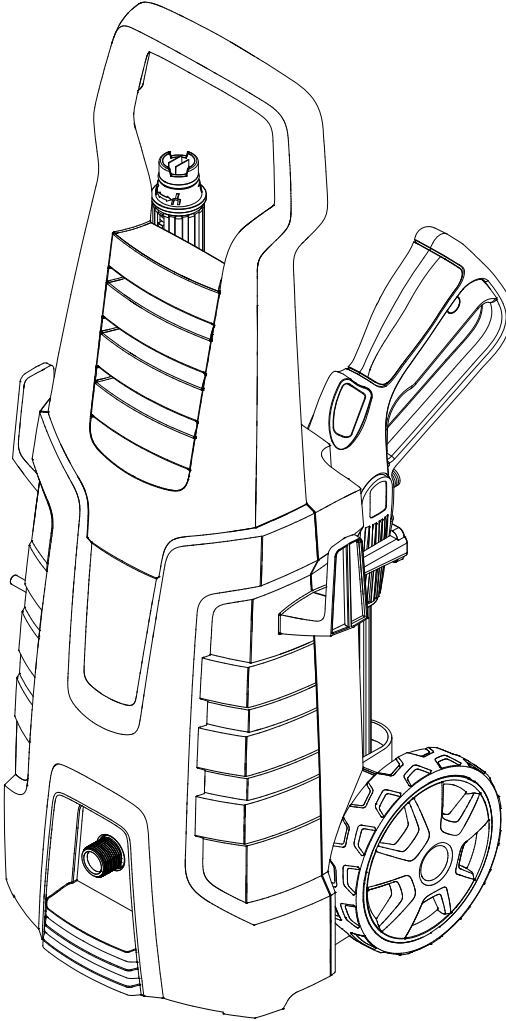


Armor All 1600 Series



English4
Español 20
Français 36

AA1600
1.106-132.0

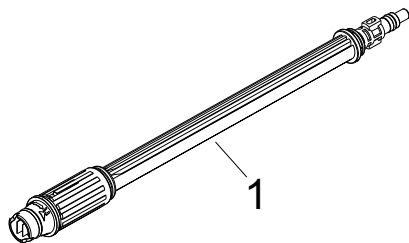
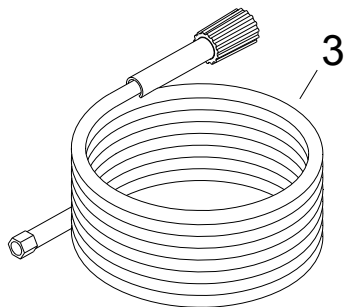
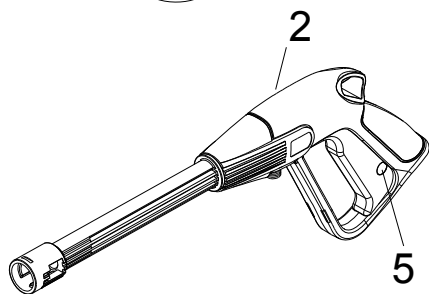
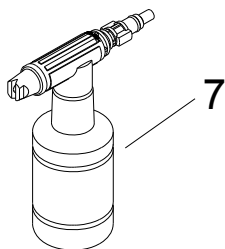
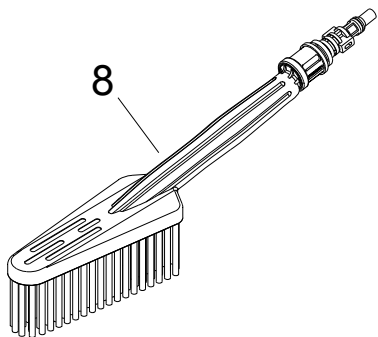
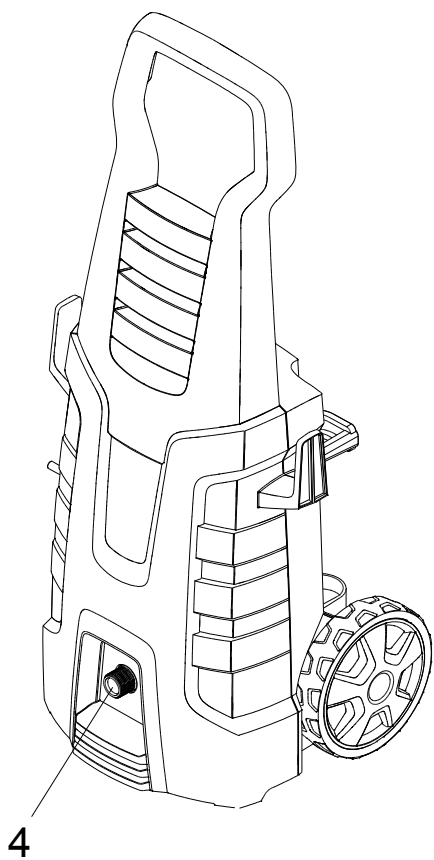
AA1601
1.106-133.0

AA1602
1.106-134.0



Armor All 1600 Series

1. Handgun Wand Assembly
(Regulate Pressure)
2. Trigger Spray Gun
3. High Pressure Hose
4. High Pressure Water Outlet
(Connect to High Pressure Hose)
5. Trigger Gun Safety Lock
6. Hose Connector
7. Detergent Foamer
8. Soft Bristle Wash Brush
(AA1601 and AA1602 Only)



Armor All 1600 Pressure Washer



Please read and comply with these original instructions prior

to the initial operation of your appliance and store them for later use or subsequent owners.

Contents

Safety Instructions	4
Assembly Instructions	7
Operating Instructions	8
Using the Accessories	9
Working with Detergents	10
Taking a Break.	11
Shutting Down & Cleaning Up	11
Winterizing & Long Term Storage . . .	13
Maintenance Instructions	13
Cleaning Tips	13
Optional Accessories	15
Troubleshooting	16

Specifications

Armor All 1600 Series

Operating Pressure	1600psi
Max Water Volume	1.3GPM
Amp Draw	13 Amps
Voltage	120V
Model Number	1.106-132.0 1.106-133.0 1.106-134.0

Serial Number _____

Hazard Levels

DANGER

Indicates “an imminently hazardous situation which, if not avoided, will result in death or serious injury.”

WARNING

Indicates “a potentially hazardous situation which, if not avoided, could result in death or injury.”

CAUTION

Indicates “a potentially hazardous situation which, if not avoided, may result in minor or moderate injury or in property damage incidents.”

Safety Instructions

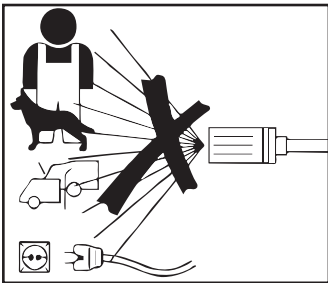
WARNING

When using this product basic precautions should always be followed, including the following:

- Read all the instructions before using the product.
- To reduce the risk of injury, close supervision is necessary when a product is used near children.
- Know how to stop the product and bleed pressures quickly. Be thoroughly familiar with the controls.
- Stay alert - watch what you are doing.

- Do not operate the product when fatigued or under the influence of alcohol or drugs.
- Keep operating area clear of all persons.
- This machine should not be used by children or untrained personal.
- This machine is not to be used in the rain.
- Turn off power when not in use.
- Do not overreach or stand on unstable support. Keep good footing and balance at all times.
- Follow the maintenance instructions specified in the manual.
- This product is provided with a Ground Fault Circuit Interrupter built into the power cord plug. If replacement of the plug or cord is needed, use only identical replacement parts.

 **WARNING**



Risk of Injection or Injury – Do Not Direct Discharge Stream At Persons or Animals.

- High-pressure jets can be dangerous if misused. The jet must not be directed at persons, animals, electrical devices, or the unit itself.
- Wear safety goggles and ear protection.

- Do not direct the spray against yourself or anyone else in order to clean clothes and footwear.
- When the water pressure is high enough, the safety valve will open automatically.
- Never jam the gun trigger into the open position.

 **WARNING**

Risk Of Fire/Explosion – Do not spray flammable liquids.

- Do not use acids, alkaline, solvents, or any flammable material in this product. These products can cause physical injuries to the operator and irreversible damage to the machine.

 **WARNING**

Risk of Electrocutation

- Inspect cord before using - Do not use if cord is damaged.
- Keep all connections dry and off the ground.
- Do not touch plug with wet hands.
- Do not use extension cord with this product.
- Connect to individual branch circuit only.
- This cleaner is designed to operate on an 120/1/60 15 amp circuit. Do not operate on other voltage.
- Keep the power cord away from heat sources and sharp edges to avoid damage.

 **WARNING**

Risk of Eye Injury

- Spray can splash back or propel objects. Always wear properly rated eye protection such as goggles or

face shield while spraying. (Safety Glasses do not provide full protection)

 **CAUTION**

This unit has been designed for use with cleaning detergents recommended by the manufacturer. The use of other cleaning detergents may affect the operation of the machine and void the warranty.

 **CAUTION**

Gun kicks back – Hold with both hands.

- The trigger gun safety lock prevents the trigger from accidentally being engaged. This safety feature must be engaged when replacing nozzles or not in use.
- This safety feature DOES NOT lock spray in the ON position.

 **WARNING**

- Do not spray electrical connections, electrical outlets or fixtures.
- Do not use with flammable liquids and toxic chemicals.
- High-pressure. Keep clear of nozzle.
- Injection hazard: Equipment can cause serious injury if the spray penetrates the skin. Do not point the gun at anyone or any part of the body. In case of penetration seek medical aid immediately.
- This system is capable of producing 1600 psi. To avoid rupture and injury, do not operate this pump with components rated less than 1600 psi working pressure (including but not

limited to spray guns, hose and hose connections).

- Before servicing, cleaning or removing any parts, shut off power and relieve pressure.
- Use only manufacturer approved spare parts.
- Do not use the machine if the power cord or important parts of the machine are damaged, e.g. safety devices, high-pressure hoses, trigger gun.
- If the power cord is damaged, it must be replaced by the manufacturer or a authorized service agent.
- A damaged high pressure hose must be replaced immediately.
- Only use manufacturer recommended hoses and connections.
- If connection is made to a potable water system, the system shall be protected against back flow.

Water Supply (Cold Water Only)



When connecting the water inlet to the water supply mains, local regulations of your water company must be observed. In some areas the unit must not be connected directly to the public drinking water supply. This is to ensure that there is no feedback of chemicals into the water supply. Direct connection via a receiver tank or back flow

preventer, for example, is permitted.

Use a water filter to avoid potential damage from dirt in the water supply.

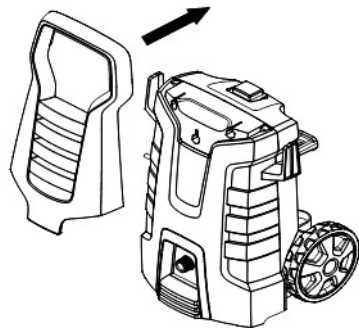
- Garden hose must be at least 5/8 inch (16 mm) in diameter.
- Flow rate of water supply must not fall below 2 GPM/gallons per minute (7.6 L/min).
- Flow rate can be determined by running the water for one minute into an empty 5-gallon (18.9 liter) container.
- The water supply temperature must not exceed 104°F/40°C.
- Never use the pressure washer to draw in water contaminated with solvents, e.g. paint thinners, gasoline, oil, etc.
- Always prevent debris from being drawn into the unit by using a clean water source.

Ground Fault Circuit Interrupter Protection

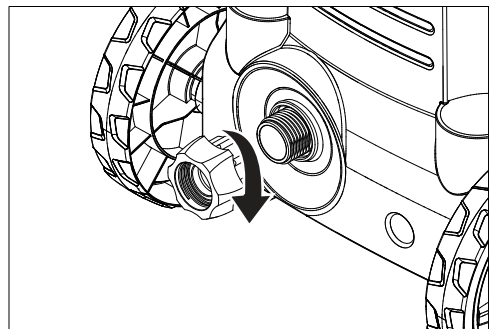
This pressure washer is provided with a ground-fault circuit-interrupter (GFCI) built into the plug of the power-supply cord. This device provides additional protection from the risk of electric shock. Should replacement of the plug or cord become necessary, use only identical replacement parts that include GFCI protection.

Assembly Instructions

1. If on unpacking the unit, you discover damage has been caused during transportation, contact your distributor.
2. Check to make sure that all contents of the package are correct and retain all documentation.
3. Attach the handle into the unit by snapping the three buttons into place.



4. Install the hose connector to the water inlet.



5. The inlet filter must always be fitted inside the water inlet to filter out

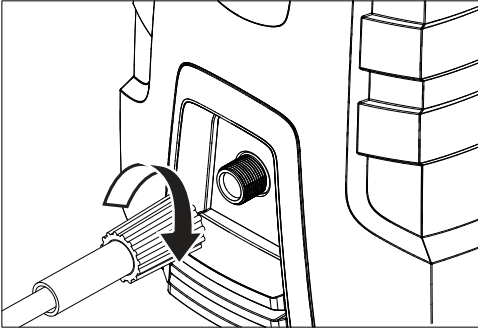
sand, limestone and other impurities as they will damage the pump valves.

⚠ CAUTION

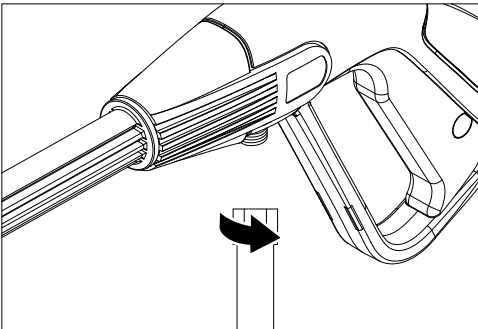
Failure to fit the filter will void the warranty.

Operating Instructions

1. Connect the High Pressure Hose to the Outlet Port on front.

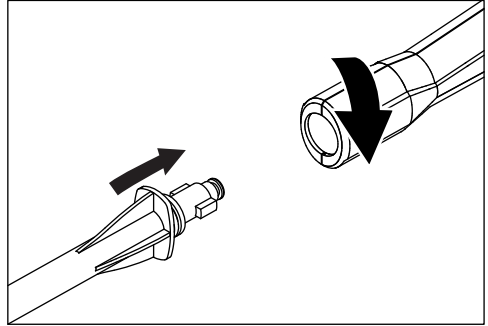


2. Thread the other end of the high pressure hose onto the spray gun inlet.

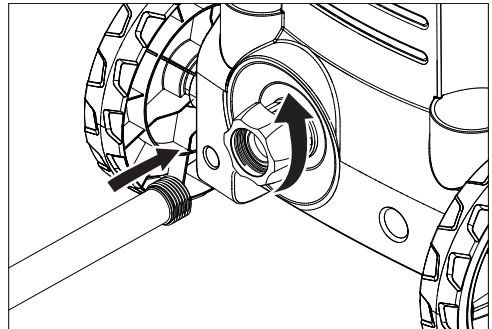


3. Insert the spray wand into the spray gun. Press it against the spring

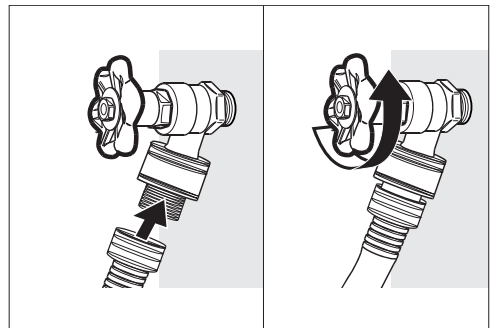
tension and twist into the locked position.



4. Connect the water supply hose to the inlet connector on back.

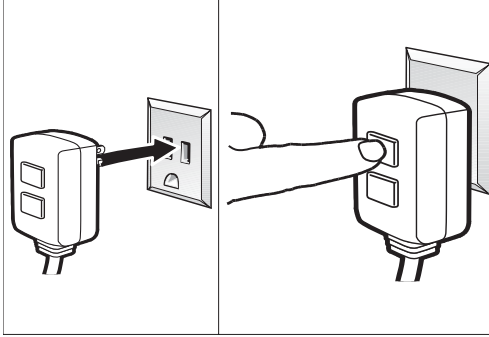


5. Connect the garden hose to the cold water source and turn the water completely on.



6. Plug the Ground Fault Circuit Interrupter (GFCI) into a working

outlet. We recommend that you test the GFCI as part of the start up procedure each time you use the machine. To learn how to perform this test, visit Karcher-help.com/ and search for GFCI.

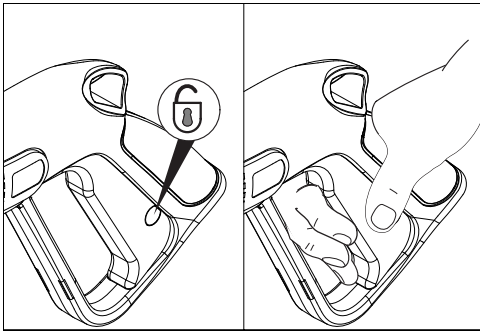


! WARNING

Do not use if GFCI fails test.

NOTE: The actual appearance of the GFCI may be different from this illustration.

7. Unlock the Spray Gun safety lock. Trigger the gun to eliminate trapped air. Wait for a steady flow of water to emerge from the spray nozzle.



8. Turn on the Machine by pressing the button on the top of the machine.

Using the Accessories

! WARNING

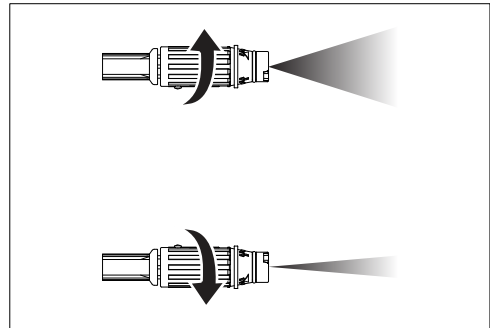
To avoid serious injury, never point spray nozzle at yourself, other persons or animals.

! CAUTION

Always test an inconspicuous area before cleaning with high pressure.

Handgun Wand

The lance has an adjustable nozzle to allow you to vary the width of the spray. To adjust the width of the spray, turn the nozzle as shown.

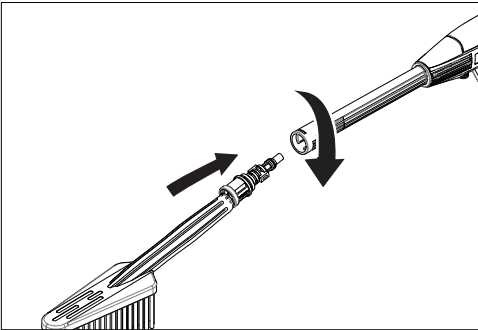


- Position the tip of the wand 11.8in (30cm) away from the surface.
- Hold pressure washer gun firmly with both hands during cleaning.
- Pressure washer gun trigger safety is intended to prevent unintentional operation. Make sure that the trigger safety is engaged when the gun is not in use.

Soft Bristle Wash Brush

The Soft Bristle Wash Brush is used for gentle cleaning on paint, outdoor furniture, siding and automobiles.

1. Wet the entire surface with the high pressure wand before using the brush.
2. Wash brush with wand before using on surface.
3. Install brush and scrub surface.

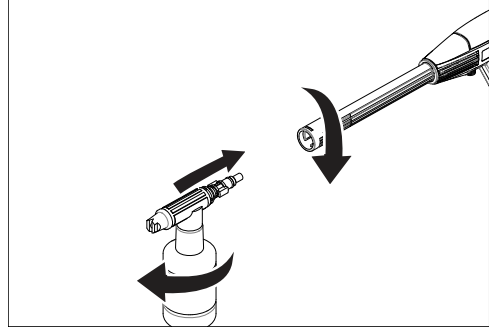


4. Reinstall wand to rinse surface off.

Detergent Foamer

The Detergent Foamer is used for applying detergent with the Armor All Pressure Washer.

1. Remove the bottle from the nozzle and fill with Kärcher Brand Detergent.
2. Reinstall the bottle to the nozzle.



3. Attach the nozzle to the spray gun to apply detergent to surfaces.
4. Reinstall wand to rinse surface off.

Working with Detergents

For best results see Cleaning Tips for specific information on how to clean different surfaces.

Always Use Kärcher Detergent for Best Results. Kärcher biodegradable detergents are specially formulated to protect the environment and your pressure washer. The special formula will not clog the suction tube and will protect the internal parts of the pressure washer for a longer life.

For Kärcher detergents, check your retailer or visit our website:
www.Karcher.com/us

CAUTION

Never Use:

- Bleach, chlorine products and other corrosive chemicals
- Liquids containing solvents (i.e., paint thinners, gasoline, oils)
- Tri-sodium phosphate products
- Ammonia products
- Acid-based products

These chemicals will harm the unit and will damage the surface being cleaned.

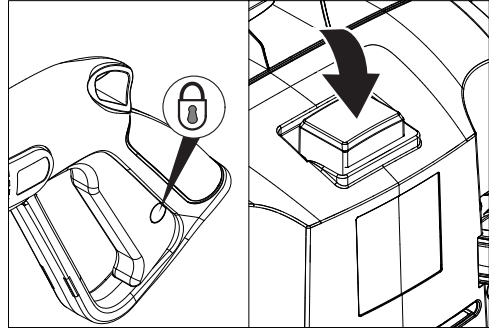
Use of these items will void the warranty.

Detergents can only be applied at low pressure.

Use detergents in accordance with the manufacturer's instructions.

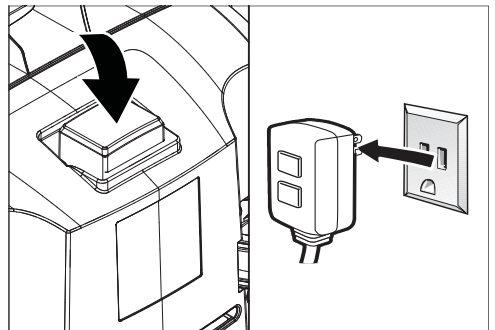
Taking a Break five minutes or more

1. Release trigger and engage gun safety lock.
2. Turn pressure washer off by pressing button on top of machine.



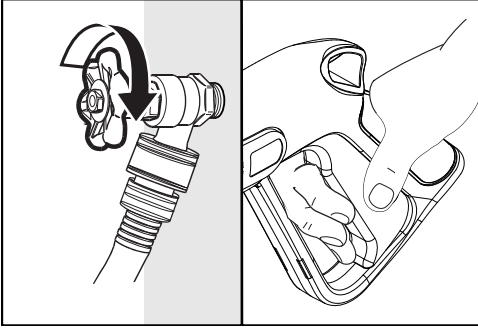
Shutting Down & Cleaning Up

1. Turn the machine off by pressing the button on the top of the machine and unplug the cord from the outlet.

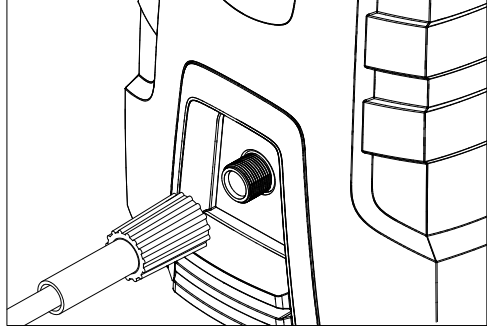


2. Turn off the water source.

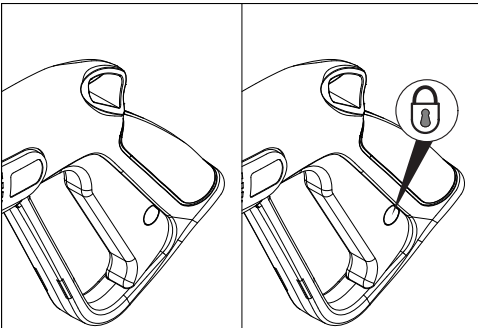
3. Press trigger to release water pressure.



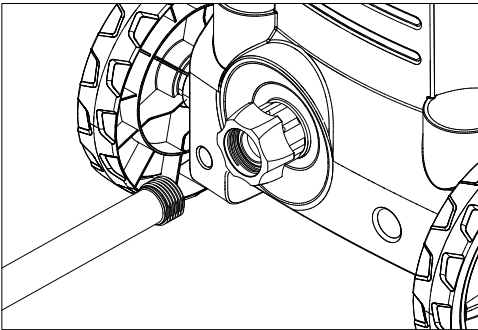
6. Unthread and disconnect the high pressure hose from the machine.



4. Release trigger and engage the gun safety lock.



5. Disconnect the garden hose from the water inlet on the machine.



Winterizing & Long Term Storage

1. Disconnect all water connections.
2. Turn on the machine for a few seconds, until the water which had remained in the pump exits, turn off immediately.
3. Do not allow high-pressure hose to become kinked.
4. Store the machine and accessories in a room which does not reach freezing temperatures. DO NOT store near furnace or other sources of heat as it may dry out the pump seals.



CAUTION

Failure to follow the above directions will result in damage to the pump assembly and accessories and will void the warranty.

Kärcher also recommends the regular practice of using a pump protector like “Kärcher Pump Guard” to prevent cold weather damage during storage in the winter months.

Maintenance Instructions

Cleaning the Water Inlet Filter

1. Disconnect the connector from the water inlet.
2. Rinse out the water inlet filter in warm water.
3. Thread the connector into the water inlet.

Maintenance

This unit is maintenance free

Cleaning Tips



CAUTION

- Before cleaning any surface an inconspicuous area should be cleaned to test spray pattern and distance for maximum cleaning results.
- If painted surfaces are peeling or chipping, use extreme caution as pressure washer may remove the loose paint from the surface.
- When using on surfaces which might come in contact with food, flush surfaces with plenty of drinking water.
- For additional cleaning tips, visit our website:

www.Karcher.com/us/

Deck Cleaning

(With or without detergent).

Pre-rinse deck and surrounding area with fresh water. If using detergent, apply to surface at low pressure. For best results, limit your work area to smaller sections of approximately 25 sq. ft. (2.3 m²). Allow detergent to remain on surface 1-3 minutes. Do not allow detergent to dry on surface. Rinse at high-pressure in a long sweeping motion keeping the spray nozzle approximately 3-6 in. (7.5-15 cm) from the cleaning surface. Always clean from top to bottom and from left to right. When moving on to a new section of the cleaning surface, be sure to overlap the previous section to eliminate stop marks and ensure a more even cleaning result.

House Siding

(With or without detergent).

Pre-rinse cleaning surface with fresh water. If using detergent, apply to surface at low pressure. For best results, limit your work area to smaller sections of approximately 6sq. ft. (1.8 m). Always apply detergent from bottom to top. Allow detergent to remain on surface 1-3 minutes. Do not allow detergent to dry on surface, if surface appears to be drying, simply wet down surface with fresh water. If needed, use special wash brush attachment (not included) to remove stubborn dirt. Rinse at high-pressure from top to bottom in an even sweeping motion keeping the spray

nozzle approximately 6 ft. (1.8 m) from the cleaning surface.

Cement Patios, Brick and Stone

(With or without detergent).

Pre-rinse cleaning surface with fresh water. If using detergent or degreaser, apply to surface at low pressure. For best results, limit your work area to smaller sections of approximately 25 sq. ft. (2.3 m²). Allow detergent or degreaser to remain on surface 1-3 minutes. Do not allow detergent to dry on surface. Rinse at high pressure in a sweeping motion keeping the spray nozzle approximately 3-6 in. (7.5-15 cm) from the cleaning surface. For best results clean from top to bottom and from left to right.

Cars, Boats and Motorcycles

(With or without detergent).

Pre-rinse vehicle with fresh water. If using detergent, apply to surface at low pressure. For best results, clean one side of vehicle at a time and always apply detergent from bottom to top, do not allow detergent to dry on surface. If needed, use special wash brush attachment (not included) to remove stubborn dirt. Rinse at high-pressure in a sweeping motion keeping the spray nozzle approximately 6-8 in. (15-20 cm) from the cleaning surface (distance should increase when rinsing pin-striping or other sensitive surfaces). For best results clean from top to bottom and

from left to right. For best results, wipe surface dry with a chamois or soft dry cloth.

Barbecue Grills, Outdoor Power Equipment and Gardening Tools

(With or without detergent).

Pre-rinse cleaning surface with fresh water. If using detergent or Degreaser, apply detergent at low pressure. Allow detergent to remain on surface 1-3 minutes. Do not allow detergent to dry on surface. Rinse at high-pressure keeping the spray nozzle approximately 3-6 in. (7.5-15 cm) from the cleaning surface. For removing extremely stubborn dirt, it may be necessary to move the spray nozzle even closer to the surface for greater dirt cutting action.

Patio and Lawn Furniture

(With or without detergent).

Pre-rinse furniture and surrounding area with fresh water. If using detergent, apply to surface at low pressure. Allow detergent to remain on surface 1-3 minutes. Do not allow detergent to dry on surface. If needed use special Wash Brush Attachment (not included) to remove stubborn dirt. Rinse at high-pressure in a sweeping motion keeping the spray nozzle approximately 3-6 in. (7.5-15 cm) from the cleaning surface. For best results, clean from top to bottom and from left to right.

Optional Accessories

Optional accessories are available to further enhance your cleaning capabilities. These accessories are accurate as of the printing date of this manual. Please check our website for pricing and up-to-date information.

Pump Guard

Specially formulated to protect your pressure washer from freezing, corrosion and premature wear. The Pump Guard also adds lubrication to valves and seals to prevent sticking. Highly recommended for all Kärcher pressure washers!

Part Number 9.558-998.0

Troubleshooting



WARNING

Disconnect the unit from the power source before making any repairs.

Symptom	Cause	Solution
Motor will not start	Power Cord not plugged in.	Plug in Power Cord.
	Electrical Outlet does not supply adequate power.	Try a different outlet.
	Tripped GFCI plug.	Press “Reset” button on GFCI plug.
	Tripped Circuit Breaker.	Reset circuit breaker.
	The power cord is damaged.	Replace the power cord.
Unit does not reach high pressure	Diameter of garden hose is too small.	Replace with a 5/8 inch (16mm) or larger garden hose.
	Water supply is restricted.	Check garden hose for kinks, leaks and blockage.
	Not enough inlet water supply.	Open water source full force.
	Water inlet filter is clogged.	Remove garden hose adapter and rinse out in warm water.
	The nozzle is worn out.	Replace the nozzle.
	Pump is sucking air.	Check that hoses and fittings are air tight. Turn off machine and purge pump by squeezing trigger gun until a steady flow of water emerges through the nozzle.
	Dirt exists in water source.	Change water source.

Symptom	Cause	Solution
Unit does not reach high pressure	The inlet hose leaks or is blocked.	Clean or change the inlet hose.
	Pump seat leaks.	Replace the pump seat.
Output pressure varies high and low	Not enough inlet water supply.	Open water source full force. Check garden hose for kinks, leaks and blockage.
	Pump is sucking in air.	Check that hoses and fittings are air tight. Turn off machine and purge pump by squeezing trigger gun until a steady flow of water emerges through the nozzle.
	Water inlet filter is clogged.	Remove garden hose adapter and rinse out in warm water.
	Spray Nozzle is obstructed.	Blow out or remove debris with a fine needle.
No Detergent	Detergent is too thick	Dilute detergent. For best results, use Kärcher detergent.
	Spray Nozzle is obstructed.	Blow out or remove debris with a fine needle.
Garden hose connection leaks	Loose fittings.	Tighten fittings.
	Missing/worn rubber washer.	Insert new washer.
Spray wand leaks	Spray wand not properly attached.	Insert the spray wand into the trigger gun. Carefully press in against the spring tension and twist into the locked position.
	Broken o-ring or plastic insert.	Visit www.karcher-help.com or locate a service center.
No water flows or flow rate is too low	The pump doesn't take in water.	Check that hoses and fittings are air tight. Turn off machine and purge pump by squeezing trigger gun until a steady flow of water emerges through the nozzle.

If the symptom you are experiencing is not listed above, or if the provided solutions do not solve your issue, please visit our extensive online troubleshooting database at:

USA/Canada:

www.karcher-help.com

Mexico:

www.karcher.com.mx

Or Call:

1-800-537-4129

Armor All 1600 Pressure Washer



Por favor, lea y cumpla con estas instrucciones originales antes del uso inicial del aparato y guarde las mismas para que puedan ser utilizadas posteriormente o para los propietarios subsiguientes

Contenidos

Instrucciones Importantes De Seguridad	21
Instrucciones De Montaje	24
Instrucciones De Operación	24
Utilización De Los Accesorios	26
Trabajar Con Detergentes	27
Tomarse Un Descanso	28
Apagado Y Limpieza	28
Protección En El Invierno Y Almacenaje Prolongado	29
Instrucciones De Mantenimiento	30
Consejos De Limpieza	30
Accesorios opcionales	32
Localización Y Reparación De Averías	33

Especificaciones

Armor All 1600 Serie

Presión de funcionamiento	1600psi
---------------------------	---------

Volumen de agua máximo	1.3GPM
Amperios	13 Amps
Tensión	120V
Número de modelo	1.106-132.0 1.106-133.0 1.106-134.0
Número de serie	

Símbolos de aviso de seguridad

PELIGRO

Indica "una situación de peligro inminente que, si no se evita, puede causar lesiones graves e incluso la muerte".

ADVERTENCIA

Indica "una situación de peligro potencial que, si no se evita, puede causar lesiones e incluso la muerte"

PRECAUCIÓN

Indica "una situación de peligro potencial que, si no se evita, puede causar lesiones de poca importancia o leves", o daños materiales.

Instrucciones Importantes De Seguridad

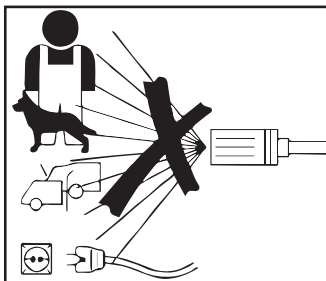
ADVERTENCIA

Al utilizar este producto, tome siempre las precauciones básicas, incluidas las siguientes:

- Lea todas las instrucciones antes de usar el producto.
- Para reducir el riesgo de lesiones, es preciso vigilar atentamente si se usa el producto cerca de niños.
- Es necesario saber cómo parar rápidamente el producto y parar hemorragias. Estar familiarizado con los mandos.
- Estar atento, prestar atención a lo que se está haciendo.
- No ponga en funcionamiento el producto si está cansado o está bajo la influencia de alcohol o drogas.
- Mantenga la zona de trabajo libre de personas.
- No se debe permitir que niños o personal sin capacitación usen esta máquina.
- No debe usar esta máquina bajo la lluvia.
- Si no la usa, desconecte la alimentación eléctrica.
- No sobrecargar o colocar sobre un soporte inestable. Mantener el equilibrio en todo momento.
- Seguir las instrucciones de mantenimiento especificadas en el manual.
- Este producto está equipado con un interruptor de circuito por falla de conexión a tierra incorporado en el

enchufe del cable de alimentación. Si es necesario reemplazar el enchufe o el cable, use solamente piezas de repuesto originales.

ADVERTENCIA



Riesgo de inyección o lesiones - No pulverice directamente a personas o animales.

- Los chorros de alta presión pueden resultar peligrosos si se usan de forma incorrecta. No se debe dirigir el chorro a personas, animales, dispositivos eléctricos o al equipo mismo.
- Utilizar gafas de seguridad y protección de oídos.
- No dirija el atomizador hacia usted o hacia cualquier otra persona para limpiar vestimenta o calzado.
- Cuando la presión del agua sea suficientemente elevada, la válvula de seguridad se abrirá automáticamente.
- Nunca bloquee el disparador de la pistola en la posición abierta.

ADVERTENCIA

Riesgo de incendio/explosión - No rocíe líquidos inflamables.

No usar ácidos, solventes, o cualquier material inflamable o alcalino en este

producto. Estos productos pueden causar heridas físicas al operario y daños irreparables a la máquina.

ADVERTENCIA

Riesgo de electrocución

- Inspeccione el cable antes de usarlo. No utilice el producto si el cable está dañado.
- Mantenga todas las conexiones secas y alejadas del suelo.
- No utilice un cable de extensión con este producto.
- Conecte el aparato solamente a un circuito derivado individual.
- El diseño de este dispositivo de limpieza permite su operación en un circuito 120/1/60 de 15 amperios. No lo use con un voltaje diferente.
- Mantenga el cable de alimentación lejos de fuentes de calor y bordes afilados para evitar daños.

ADVERTENCIA

Riesgo de lesión ocular

- El aerosol puede salpicar o impulsar objetos. Al pulverizar, utilice siempre protección ocular adecuadamente clasificada, como gafas o máscaras faciales. (Las gafas de seguridad no proporcionan protección total)

PRECAUCIÓN

Esta unidad ha sido diseñada para ser utilizada con detergentes limpiadores recomendados por el fabricante. El uso de otros detergentes limpiadores puede afectar el funcionamiento de la máquina e invalidar la garantía.

PRECAUCIÓN

La pistola rebota hacia atrás - sujetar con las dos manos.

- El seguro del gatillo de la pistola evita que el gatillo salte de forma involuntaria. El dispositivo de seguridad deberá ser ganchado cuando se estén reemplazando las boquillas o cuando no se este usando.
- Esta función de seguridad NO bloquea el rociado en la posición ON (encendido).

ADVERTENCIA

- No pulverizar sobre conexiones eléctricas, enchufes o aparatos.
- No utilice este producto con líquidos inflamables y productos químicos tóxicos.
- Alta presión. Manténgase alejado de la boquilla.
- Riesgo de inyección: El equipo puede producir lesiones serias si el producto rociado penetra en la piel. No apunte con la pistola a nadie, ni a ninguna parte de su cuerpo. En caso de que el líquido rociado le penetre la piel, busque ayuda médica inmediatamente.
- Este sistema es capaz de producir 1600 psi. Para evitar rupturas y lesiones; no haga funcionar esta bomba con componentes cuya presión de funcionamiento nominal sea inferior a 1600 psi (incluidas, entre otras, las pistolas rociadoras, la manguera y las conexiones de la manguera).
- Antes de reparar, limpiar o retirar alguna pieza, desconecte la unidad de la energía y alivie la presión.

- Use solo piezas de repuesto aprobadas por el fabricante.
- No use la máquina si se observan daños en el cable de alimentación o piezas importantes de la máquina, por ej., dispositivos de seguridad, mangueras de alta presión, pistola de disparo.
- Si el cable de alimentación está dañado, solicite al fabricante o a un agente de servicio autorizado que lo reemplace.
- Se debe reemplazar de inmediato una manguera de alta presión dañada.
- Use solo mangueras y conexiones recomendadas por el fabricante.
- Si la conexión fuera con un sistema portátil de agua, el sistema debe contar con protección contra reflujos.

Suministro De Agua (Sólo Agua Fría)



PRECAUCIÓN



Cuando conecte al suministro de agua principal, respete las normativas locales de la compañía municipal de agua. En algunas zonas de conexión directa al suministro público de agua potable puede requerir un dispositivo de prevención de fl ujo. Esto para asegurar que no entran productos químicos al suministro de agua. Por ejemplo, se permite la conexión directa mediante un tanque receptor o una válvula antirretorno.

Utilice un filtro de agua para evitar un daño potencial de la suciedad en el suministro de agua.

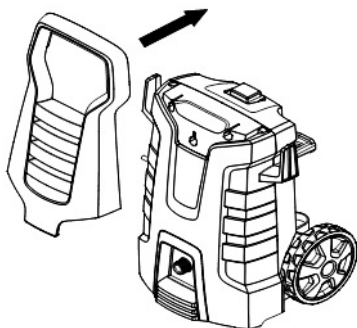
- La manguera del jardín debe tener al menos un diámetro de 5/8 pulgadas.
- El índice de fl ujo de agua no deben ser inferior a 7.6 L/Min (litros por minuto) (2 GPM - galones por minuto).
- El índice de fl ujo se puede determinar si se deja correr el agua durante un minuto en un contenedor vacío de 18.9 litros (5 galones).
- La temperatura de agua no debe exceder los 104°F/40°C.
- No usar la limpiadora de alta presión para agua contaminada con disolventes, por ejemplo para diluir pintura, gasolina, aceite etc.
- Evitar que entren escombros en la unidad, para ello use una fuente de agua limpia.

Protección del interruptor de circuito por falla de conexión a tierra

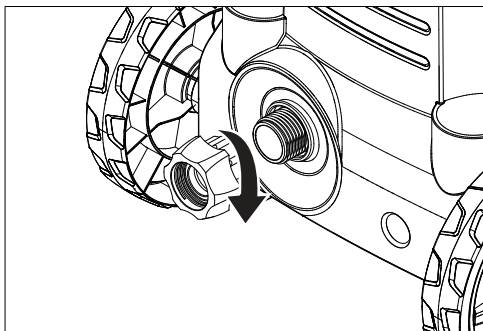
Esta hidrolavadora de alta presión está equipada con un interruptor de circuito por falla de conexión a tierra (GFCI) incorporado en el enchufe del cable de alimentación. Este dispositivo proporciona protección adicional contra el riesgo de descargas eléctricas. En caso de que fuera necesario reemplazar el enchufe o el cable, use solamente piezas de repuesto idénticas que incluyan protección contra GFCI.

Instrucciones De Montaje

1. Si, al desembalar la unidad, descubre que se han provocado daños durante el transporte, comuníquese con su distribuidor.
2. Asegúrese de que todo el contenido del paquete sea el indicado y conserve toda la documentación.
3. Coloque la manija dentro de la unidad ajustando a presión los tres botones en su lugar..



4. Instale el conector de la manguera en la entrada de agua.



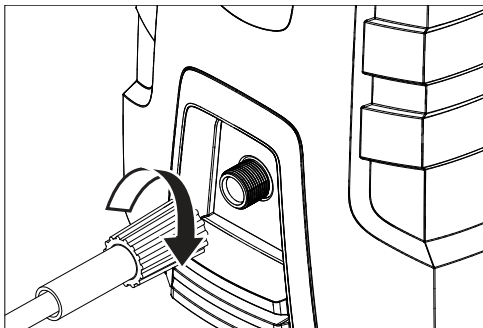
5. El filtro de admisión siempre debe adaptarse en el interior de la entrada de agua para filtrar arena, piedra caliza y otras impurezas ya que estas dañarán las válvulas de la bomba.

 **PRECAUCIÓN**

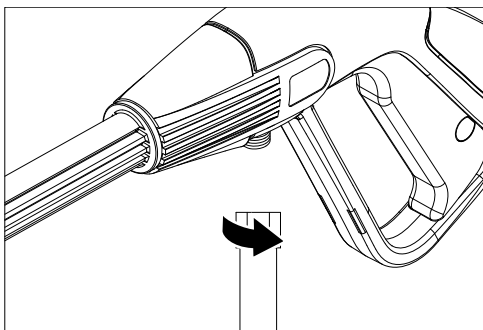
La ausencia del filtro anulará la garantía.

Instrucciones De Operación

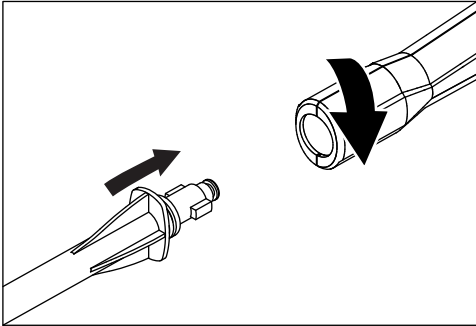
1. Conecte la manguera de alta presión al puerto de salida en la parte frontal..



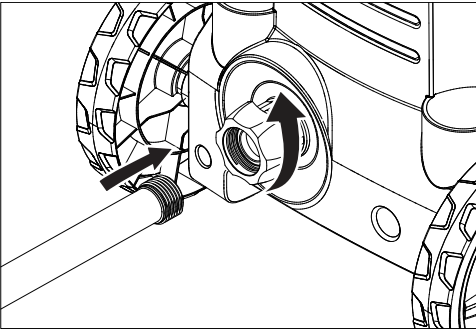
2. Enrosque el otro extremo de la manguera de alta presión en la entrada de la pistola rociadora.



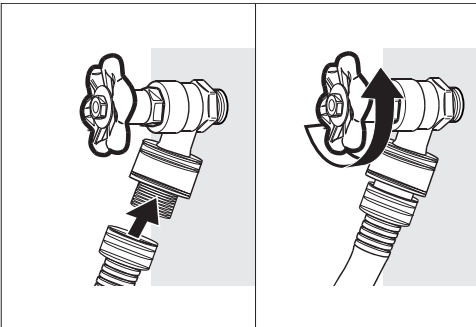
3. Inserte la vara rociadora en la pistola rociadora. Presiónela contra el muelle de tensión y gírela hasta la posición de bloqueo..



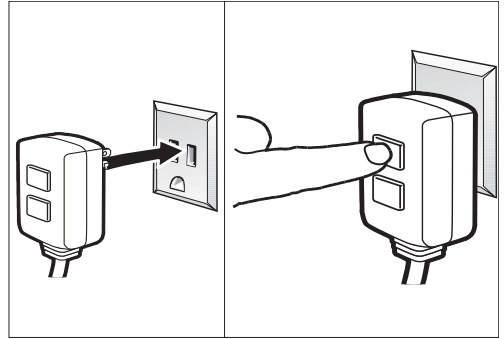
4. Conecte la manguera de suministro de agua en el conector de entrada de la parte posterior.



5. Conecte la manguera de jardín en el grifo de agua fría y ábralo completamente.



6. Enchufe el interruptor de circuito por falla de conexión a tierra (GFCI) en un tomacorriente que funcione. Le recomendamos probar el GFCI como parte del procedimiento de encendido cada vez que utilice la máquina. Para aprender cómo realizar esta prueba, visite Karcher-help.com/ y busque "GFCI".

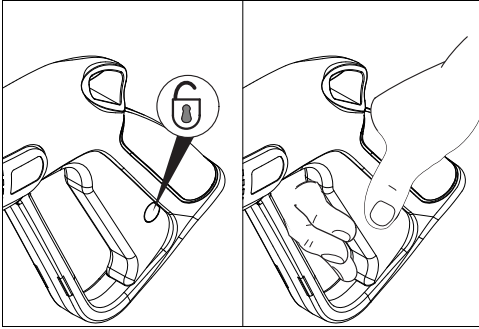


⚠ WARNING

Si falla el GFCI, no utilice el producto.

NOTE: Es posible que la apariencia real del GFCI sea diferente de la que se muestra en esta ilustración.

7. Desbloquee la traba de seguridad de la pistola rociadora. Accione la pistola para eliminar el aire atrapado. Espere a que salga un chorro de agua uniforme de la boquilla rociadora.



8. Encienda la máquina presionando el botón en la parte superior de la máquina.

Utilización De Los Accesorios



WARNING

Para evitar heridas graves, nunca dirija la boquilla pulverizadora hacia usted mismo, hacia otras personas o hacia animales.

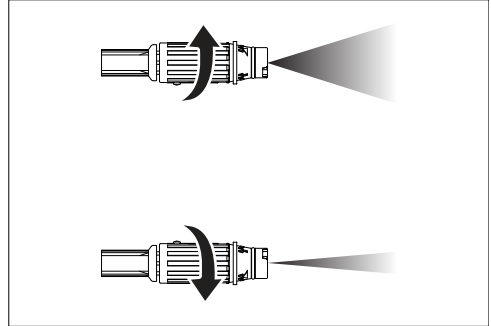


CAUTION

Antes de limpiar con alta presión una superficie, haga siempre una prueba en un área poco visible.

Varilla tipo pistola

La lanza tiene una boquilla ajustable que le permite cambiar la amplitud del atomizador. Para ajustar la amplitud del atomizador, gire la boquilla como se muestra.

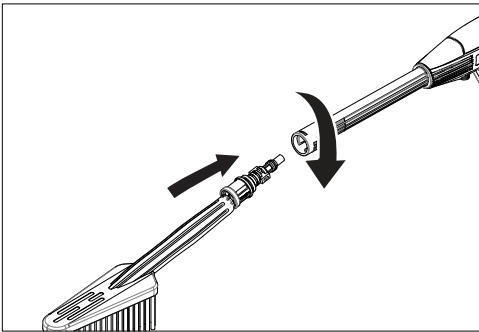


- Coloque la punta de la varilla a 11.8" (30 cm) de distancia de la superficie.
- Sujete la pistola de la hidrolavadora con firmeza con ambas manos durante la limpieza.
- El dispositivo de seguridad del disparador de la pistola de la hidrolavadora pretende evitar la operación accidental. No olvide accionar el dispositivo de seguridad del disparador cuando no use la pistola.

Cepillo de lavado con cerdas suaves

El cepillo de lavado con cerdas suaves se utiliza para limpiar suavemente sobre pintura, muebles exteriores, revestimientos y automóviles.

1. Moje toda la superficie con la varilla de alta presión antes de utilizar el cepillo.
2. Lave el cepillo con la varilla antes de utilizar sobre la superficie.
3. 8. Instale el cepillo y friegue la superficie.

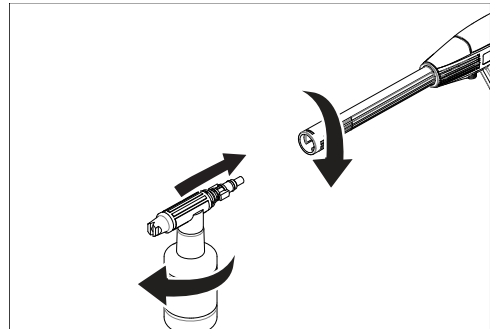


4. Vuelva a instalar la varilla para lavar la superficie.

El aplicador de detergente

El Aplicador de detergente se usa para aplicar detergente con la hidrolavadora Armor All.

1. Quite la botella de la boquilla y llene con Detergente de marca Kärcher.
2. Vuelva a instalar la botella a la boquilla.



3. Acople la boquilla a la pistola pulverizadora para aplicar el detergente a las superficies.
4. Vuelva a instalar la varilla para lavar la superficie.

Trabajar Con Detergentes

Para obtener los mejores resultados, consulte los Consejos de Limpieza donde encontrará información específica sobre cómo limpiar diferentes superficies.

Utilice siempre detergente Kärcher para obtener los mejores resultados.

Los detergentes biodegradables de Kärcher han sido especialmente

formulados para proteger el medio ambiente y el limpiador a presión. Su fórmula especial no obstruirá el filtro del tubo de succión y protegerá las piezas internas del limpiador de alta presión para que su vida útil sea más larga. Para adquirir los detergentes Kärcher, diríjase a su comerciante minorista o llame a nuestro centro de asistencia si necesita ayuda.

www.Karcher.com/us



PRECAUCIÓN

No utilice nunca:

- Lejía, productos que contengan cloro u otro tipo de productos químicos corrosivos.
- Líquidos que contengan disolventes (p. ej., diluyentes de pintura, gasolina, aceites).
- Productos de fosfato trisódico.
- Productos con amoníaco.
- Productos a base de ácido.

Los productos químicos mencionados dañarán la unidad y dañarán la superficie que se limpie.

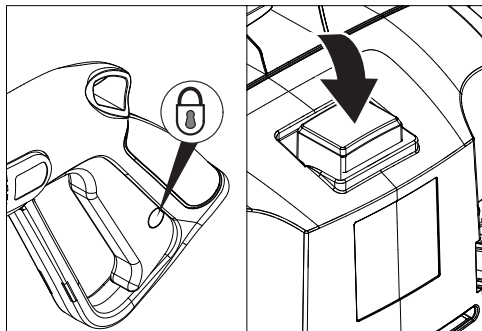
El uso de estos productos invalidará la garantía.

Los detergentes solo pueden aplicarse a baja presión.

Use los detergentes adecuados conforme a las instrucciones del fabricante.

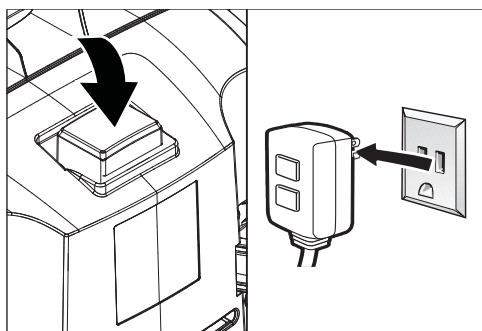
Tomarse Un Descanso de cinco minutos o más

1. Suelte el gatillo y accione el pestillo de seguridad de la pistola.
2. Apague la hidrolavadora presionando el botón sobre la parte superior de la máquina.



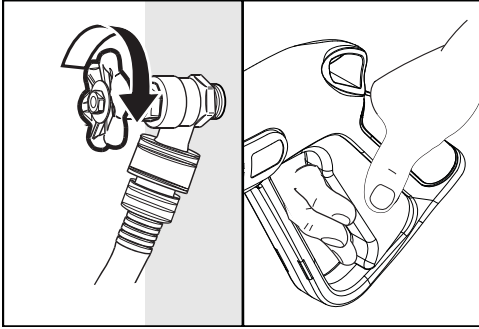
Apagado Y Limpieza

1. Apague la máquina presionando el botón sobre la parte superior de la máquina y desenchufe el cable de la toma de corriente.

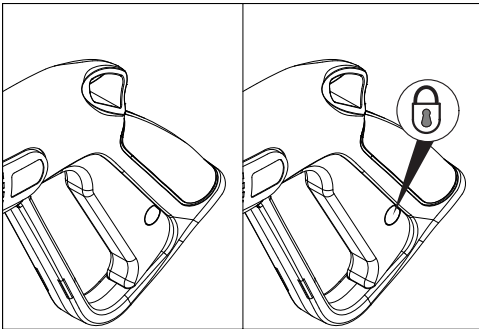


2. Cierre el grifo del agua.

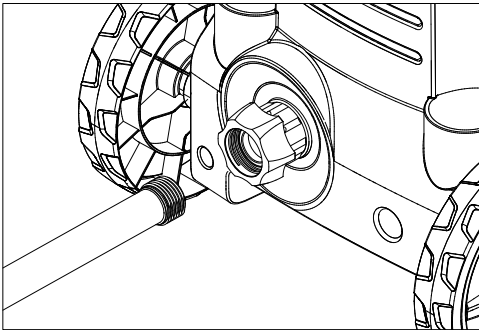
3. Presione el gatillo para liberar la presión del agua..



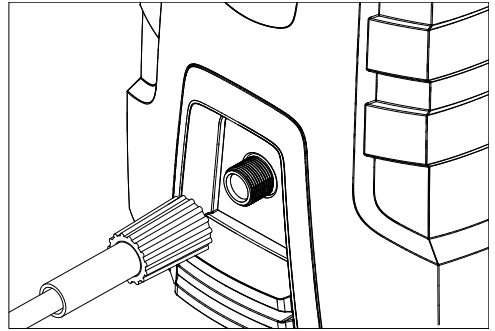
4. Suelte el gatillo y accione el pestillo de seguridad de la pistola.



5. Desconecte la manguera de la entrada de agua de la máquina.



6. Desenrosque y desconecte la manguera de alta presión de la máquina.



Protección En El Invierno Y Almacenaje Prolongado

1. Desconecte todas las conexiones de agua.
2. Encienda la máquina unos segundos, hasta que salga el agua que había quedado en la bomba. Apague el motor inmediatamente.
3. No deje que la manguera de alta presión se retuerza.
4. Almacene la máquina y los accesorios en un ambiente donde no se alcancen temperaturas de congelamiento. NO almacene cerca de un horno u otras fuentes de calor, ya que los sellos de la bomba se podrían resecar.

PRECAUCIÓN

No seguir las indicaciones anteriores puede resultar en daños a la bomba y los accesorios y anulará la garantía.

Kärcher también recomienda la práctica regular de utilizar un "Protector para bomba Kärcher" para evitar daños por clima frío durante el almacenamiento en los meses de invierno.

Instrucciones De Mantenimiento

Limpieza del filtro de entrada de agua

1. Desconecte el conector de la entrada de agua.
2. Enjuague el filtro de entrada de agua con agua caliente.
3. Enrosque el conector de la entrada de agua.

Mantenimiento

Esta unidad es libre de mantenimiento.

Consejos De Limpieza

PRECAUCIÓN

- Antes de limpiar cualquier superficie, se debe limpiar una parte de la misma que no se vea para probar el ajuste del pulverizado y la distancia para obtener los mejores resultados de limpieza.
- Si las superficies pintadas se están pelando o desconchando, extreme las precauciones, ya que el limpiador a presión podría arrancar la pintura suelta de la superficie.
- Cuando se utilice en superficies que puedan entrar en contacto con comida, enjuáguelas abundantemente con agua potable.
- Para consejos adicionales de limpieza, visita nuestra página web en:

www.Karcher.com/us/

Limpieza de cubiertas

(Con o sin Detergente)

Preenjuague la cubierta y el área circundante con agua limpia. Si utiliza detergente, aplíquelo en la superficie con baja presión. Para obtener mejores resultados, divida el área de trabajo e aprox. 2.3 m² (25 pies²). Deje el detergente sobre la superficie durante 1-3 minutos. No deje que se seque el detergente sobre la superficie. Enjuague a alta presión mediante un movimiento de barrido, manteniendo la boquilla pulverizadora a aprox. 8-15 cm (3-6 pulgadas) de la superficie a limpiar. Limpie siem-

pre de arriba a abajo y de izquierda a derecha. Cuando pase a la siguiente sección de la superficie a limpiar, asegúrese de solapar la nueva sección con la sección anterior para evitar que queden marcas de parada y garantizar, así, un resultado homogéneo.

Revestimiento de la casa

(Con o sin Detergente)

Preenjuague la superficie a limpiar con agua limpia. Si utiliza detergente, aplíquelo en la superficie con baja presión. Para obtener mejores resultados, divida el área de trabajo en pequeñas secciones de aprox. 1.8 m² (6 pies²). Aplique siempre el detergente de abajo hacia arriba. Deje el detergente sobre la superficie durante 1-3 minutos. No deje secar el detergente sobre la superficie. Si ve que la superficie se va a secar, simplemente moje la superficie con agua limpia. Si es necesario, utilice un accesorio especial con cepillo de lavado (no incluido) para quitar la suciedad difícil. Enjuague a alta presión mediante un movimiento de barrido homogéneo, manteniendo la boquilla pulverizadora a aprox. 1.8 metros (6 pies) de la superficie a limpiar.

Patios de cemento, ladrillos y piedra

(Con o sin Detergente)

Preenjuague la superficie a limpiar con agua limpia. Si utiliza detergente

o desengrasante, aplíquelo en la superficie con baja presión. Para obtener mejores resultados, divida el área de trabajo en pequeñas secciones de aprox. 2.3 m² (25 pies²). Permita que el detergente o el desengrasante permanezca en la superficie durante 1 a 3 minutos. No deje que se seque el detergente sobre la superficie. Enjuague a alta presión mediante un movimiento de barrido, manteniendo la boquilla pulverizadora a aprox. 8-15 cm (3-6 pulgadas) de la superficie a limpiar. Para obtener mejores resultados, limpie de arriba a abajo y de izquierda a derecha. Para quitar manchas muy difíciles, use la boquilla turbo.

Autos, Barcas & Motocicletas

(Con o sin Detergente)

Preenjuague la superficie a limpiar con agua limpia. Si utiliza detergente, aplíquelo en la superficie con baja presión. Para obtener mejores resultados, limpie un lado del vehículo cada vez y aplique siempre el detergente de abajo a arriba. Si es necesario, utilice un accesorio especial con cepillo de lavado (no incluido) para quitar la suciedad difícil. Enjuague a alta presión mediante un movimiento de barrido y manteniendo la boquilla pulverizadora a aprox. 15-20 cm (6-8 pulgadas) de la superficie a limpiar (la distancia se debe incrementar en el caso de que se enjuaguen superficies con ranuras u otras superficies delicadas). Para obtener mejores resultados, limpie de

arriba a abajo y de izquierda a derecha. Para obtener mejores resultados, seque la superficie con una gamuza o un trapo suave y seco.

Parrillas, equipos con motor exteriores y herramientas de jardín

(Con o sin Detergente)

Preenjuague la superficie a limpiar con agua limpia. Si utiliza detergente o desengrasante, aplíquelo en la superficie con baja presión. Permita que el detergente o el desengrasante permanezca en la superficie durante 1 a 3 minutos. No deje que se seque el detergente sobre la superficie.

Enjuague a alta presión manteniendo la boquilla pulverizadora a aprox. 8-15 cm (3-6 pulgadas) de la superficie a limpiar. Para quitar suciedad especialmente difícil, puede ser necesario tener que poner la boquilla pulverizadora más cerca para que la potencia de limpieza sea mayor.

Mobiliario de patios y jardines

(Con o sin Detergente) Preenjuague el mueble y el área circundante con agua limpia. Si utiliza detergente, aplíquelo en la superficie con baja presión. Deje el detergente sobre la superficie durante 1-3 minutos. No deje que se seque el detergente sobre la superficie. Si es necesario, utilice un accesorio especial con cepillo de lavado (no incluido) para quitar la suciedad difícil. Enjuague a alta presión

mediante un movimiento de barrido, manteniendo la boquilla pulverizadora a aprox. 7-5 cm (3-6 pulgadas) de la superficie a limpiar. Para obtener mejores resultados, limpie de arriba a abajo y de izquierda a derecha.

Accesorios opcionales

Disponemos de accesorios de limpieza opcionales para mejorar la capacidad de limpieza. Estos accesorios son precisos desde la fecha de impresión de este manual. Consulte nuestra página Web para obtener información acerca de precios e información actualizada.

Protector para bomba

Formulado especialmente para proteger a la hidrolavadora de alta presión contra el congelamiento, la corrosión y el desgaste prematuro. El protector para bomba también agrega lubricación a las válvulas y los sellos para evitar que se peguen. ¡Muy recomendado para todas las hidrolavadoras de alta presión Kärcher!

Número de parte 9.558-998.0

Localización Y Reparación De Averías



ADVERTENCIA

Desconecte la unidad de la fuente de alimentación antes de realizar cualquier reparación.

Síntoma	Causa	Solución
El Motor No Arranca	El cable de alimentación no está enchufado.	Enchufe el cable de alimentación.
	El tomacorriente no suministra la corriente adecuada.	Pruebe con otro tomacorriente.
	Se disparó el interruptor del enchufe con GFCI.	Pulse el botón Reset (Restablecer) del enchufe con GFCI.
	Abierto de sobrecarga térmica.	Apague la hidrolavadora a alta presión. El interruptor se restablece automáticamente una vez que cae la temperatura de la unidad.
	Cortacircuitos.	Restablezca el disyuntor.
	El cable de alimentación está dañado.	Reemplace el cable de alimentación.
La Unidad No Llega A La Alta Presión	El diámetro de la manguera de jardín es demasiado pequeño.	Sustituir con una manguera de jardín de 5/8 pulgadas o más (16mm).
	El suministro de agua está restringido.	Compruebe si la manguera de jardín tiene grietas, fugas o si está obstruida.
	El suministro de agua de entrada no es suficiente.	Abra el grifo de agua del todo.

Síntoma	Causa	Solución
La Unidad No Llega A La Alta Presión	El filtro de entrada de agua está obstruido.	Quite el adaptador de la manguera de jardín y enjuáguelo con agua tibia.
	La boquilla está desgastada.	Reemplace la boquilla.
	La bomba está succionando aire.	Compruebe que las mangueras y conectores están bien apretados. Apague el aparato y purgue la bomba apretando la pistola de disparo hasta que salga un caudal constante de la boquilla.
	Se observa suciedad en la fuente de agua.	Cambie la fuente de agua.
	La manguera de entrada presenta fugas o está bloqueada.	Limpie o cambie la manguera de entrada.
	Se observan fugas en el asiento de la bomba.	Reemplace el asiento de la bomba.
La Presión De Salida Varía Entre Alta Y Baja Presión	El suministro de agua de entrada no es suficiente.	Abra el grifo de agua del todo. Compruebe si la manguera de jardín tiene grietas, fugas o si está obstruida.
	La bomba está succionando aire.	Compruebe que las mangueras y conectores están bien apretados. Apague el aparato y purgue la bomba apretando la pistola de disparo hasta que salga un caudal constante de la boquilla.
	El filtro de entrada de agua está obstruido.	Quite el adaptador de la manguera de jardín y enjuáguelo con agua tibia.
	La boquilla pulverizadora está obstruida.	Limpie con aire comprimido o quite la suciedad con una aguja fina.

Síntoma	Causa	Solución
No Entra Detergente	El detergente está demasiado espeso.	Diluya el detergente. Para obtener mejores resultados utilice detergente Kärcher.
	La boquilla pulverizadora está obstruida.	Limpie con aire comprimido o quite la suciedad con una aguja fina.
La Conexión De La Manguera De Jardín Fuga	Las conexiones están sueltas.	Apriete las conexiones.
	No hay arandela de caucho o está desgastada.	Inserte una arandela nueva.
La Barra Pulverizadora Fuga	La barra pulverizadora no está montado correctamente.	Inserte la vara rociadora en la pistola con gatillo. Presiónela cuidadosamente contra el muelle de tensión y gírela hasta la posición de bloqueo.
	Anillo tórico o inserción de plástico rotos.	Visite www.karcher-help.com o localice un centro de servicio.
No Hay Corrientes De Agua O El Caudal Es Demasiado Bajo	La bomba no recibe agua.	Compruebe que las mangueras y conectores están bien apretados. Apague el aparato y purgue la bomba apretando la pistola de disparo hasta que salga un caudal constante de la boquilla.

Si el síntoma que usted esta experimentando no esta en la lista de arriba, o si las soluciones aportadas no resuelven su problema, por favor visite nuestra extensa base de datos en linea de solución de problemas en:

USA/Canada:

www.karcher-help.com

Mexico:

www.karcher.com.mx

O llame al:

1-800-537-4129

Armor All 1600 Pressure Washer



Veuillez lire et vous confirmer à ces instructions originales avant la première utilisation de votre appareil et conservez-les pour votre utilisation future ou celle des propriétaires subséquents.

Numéro de modèle	1.106-132.0 1.106-133.0 1.106-134.0
------------------	---

Numéro de série	
-----------------	--

Symbole d'alerte de sécurité

Contenu

Mesures De Sécurité Importantes . . .	37
Instructions De Montage	40
Instructions De Fonctionnement	40
Utilisation Des Accessoires	42
Travailler Avec Des Détergents	43
Prendre Une Pause	44
Arrêt Et Entretien	44
Entreposage À Long Terme Et Pour Hiver	45
Instructions D'entretien	46
Conseils De Nettoyage	46
Accessoires optionnels	48
Guide De Dépannage	49

 **DANGER**

Indique «une situation à risque imminent, laquelle si elle n'est pas évitée, entraînera des blessures sérieuses ou la mort».

 **AVERTISSEMENT**

Indique «une situation à risque potentiel, laquelle si elle n'est pas évitée, pourrait entraîner des blessures ou la mort».

 **MISE EN GARDE**

Indique «une situation à risque potentiel, laquelle si elle n'est pas évitée, peut causer des blessures mineures ou légères, ou des dommages matériels».

Spécifications

Armor All 1600 Série

Pression de service	1600psi
Volume d'eau max	1.3GPM
Amperios	13 Amps
Tension	120V

Mesures De Sécurité Importantes



AVERTISSEMENT

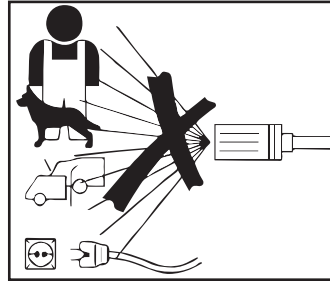
Lorsque vous utilisez ce produit, les précautions de base devraient toujours être suivies, incluant celles-ci :

- Lisez toutes les instructions avant d'utiliser le produit.
- Pour réduire le risque de blessures, une étroite surveillance est nécessaire lorsqu'un appareil est utilisé à proximité d'un enfant.
- Sachez comment rapidement arrêter et purger la pression du produit. Soyez entièrement familier avec les commandes.
- Demeurez alerte - Portez attention à ce que vous faites.
- N'utilisez pas cet appareil lorsque vous êtes fatigués ou sous l'influence d'alcool ou de drogues.
- Assurez-vous qu'il n'y ait personne dans la zone environnant l'utilisation.
- Cette machine ne devrait pas être utilisée par des enfants ou un personnel non formé.
- Cette machine ne doit pas être utilisée sous la pluie.
- Couper l'alimentation lorsque l'appareil n'est pas utilisé.
- Ne travaillez pas hors de portée ou ne montez pas sur un support instable. Maintenez un bon appui et restez en équilibre en tout temps.
- Suivez les instructions d'entretien spécifiées dans le manuel.
- Ce produit est fourni avec un disjoncteur différentiel de fuite à la

terre intégré dans la fiche du cordon d'alimentation. Si on doit remplacer la fiche ou le cordon, utiliser uniquement des pièces de rechange identiques.



AVERTISSEMENT



Risque d'injection ou de blessures - Ne pas diriger la vapeur en direction d'une autre personne ou d'un animal

- Les jets à haute pression peuvent être dangereux s'ils ne sont pas utilisés adéquatement. Ils ne doivent pas être dirigés directement vers des personnes, des animaux, des appareils électriques ou vers l'appareil.
- Portez des lunettes de sécurité et un protecteur auditif.
- Ne pas diriger le pulvérisateur contre vous-même ou une autre personne pour nettoyer les vêtements et les chaussures.
- Lorsque la pression de l'eau est suffisamment élevée, la soupape de sécurité s'ouvre automatiquement.
- Ne jamais bloquer la gâchette en position ouverte.



AVERTISSEMENT

**Risque d'incendie ou d'explosion -
Ne pulvérisiez pas de liquides
inflammables.**

- N'utilisez pas d'acides, de solvants ou toutes matières inflammables ou alcalines avec ce produit. Ces produits peuvent causer des blessures à l'opérateur ainsi que des dommages irréversibles à l'appareil.



AVERTISSEMENT

Risque d'électrocution

- Inspecter le cordon avant l'utilisation - Ne pas utiliser si le cordon est endommagé.
- Garder toutes les connexions sèches et dégagées du sol.
- Ne pas toucher la fiche avec des mains mouillées.
- Ne pas utiliser de rallonge électrique avec ce produit.
- Connecter uniquement à un circuit de dérivation individuel.
- Ce nettoyeur est conçu pour fonctionner sur un circuit 120/1/60 à 15 ampères. Ne pas utiliser sous une autre tension.
- Garder le cordon d'alimentation à l'écart des sources de chaleur et des rebords tranchants pour éviter tout dommage.



AVERTISSEMENT

Risque de lésion oculaire

- Le jet peut provoquer des éclaboussures ou propulser des objets. Toujours porter des protections oculaires appropriées comme des lunettes de protection ou

un écran facial lors de la vaporisation. (Les lunettes de sécurité n'offrent pas une protection totale)



MISE EN GARDE

Cet appareil a été conçu pour être utilisé avec les détergents nettoyants recommandés par le fabricant. L'utilisation d'autres détergents nettoyants pourrait affecter le fonctionnement de la machine et annuler la garantie.



MISE EN GARDE

Effet de recul du pistolet – Tenez-le bien avec les deux mains.

- Le verrou de sécurité du pistolet à gâchette prévient le déclenchement accidentel de la gâchette. Cette caractéristique de sécurité doit être engagée lorsque vous remplacez les buses ou lorsqu'elles ne sont pas utilisées.
- Cette fonction de sécurité NE verrouille PAS le vaporisateur en position de marche.



AVERTISSEMENT

- Ne vaporisez pas les raccords électriques, les prises de courant ou les luminaires.
- Ne pas utiliser avec des liquides inflammables ou des produits chimiques toxiques.
- Haute pression. Se tenir éloigné de la buse.
- Danger d'injection : L'équipement peut causer une blessure grave si la vaporisation pénètre la peau. Ne jamais pointer le pistolet vers quelqu'un ou une partie quelconque du corps. En cas de pénétration,

demander immédiatement une aide médicale.

- Ce système est capable de produire 1600 lb/po2. Ne pas utiliser cette pompe avec des composants ayant une pression d'utilisation nominale de moins de 1600 lb/po2 (incluant notamment les pistolets vaporisateurs, boyaux et raccords de boyaux), afin d'éviter une rupture et une blessure.
- Avant l'entretien, le nettoyage ou le retrait de toute pièce, coupez l'alimentation et libérez la pression.
- N'utiliser que des pièces de rechange approuvées par le fabricant.
- Ne pas utiliser la machine si le cordon d'alimentation ou des pièces importantes de la machine sont endommagés, par ex. dispositifs de sécurité, tuyaux haute pression, gâchette.
- Si le cordon d'alimentation est endommagé, il doit être remplacé par le fabricant ou un agent de service agréé.
- Un tuyau haute pression endommagé doit être remplacé immédiatement.
- Utiliser uniquement les tuyaux et les raccords recommandés par le fabricant.
- Si une connexion est établie avec un système d'eau potable, le système doit être protégé contre le reflux.

Approvisionnement En Eau (Eau Froide Seulement)



MISE EN GARDE



Lorsque vous vous branchez à une conduite d'alimentation d'eau, vous devez respecter les réglementations locales de votre service municipal d'alimentation en eau potable. Dans certains endroits, le branchement direct à une conduite d'alimentation publique en eau potable pourrait nécessiter un dispositif de prévention pour reflux d'eau. Cela permet de s'assurer qu'il n'y aura aucune rétroaction de produits chimiques dans l'alimentation d'eau. Un raccord direct par un réservoir récepteur ou un dispositif anti-reflux, par exemple, est permis

Utilisez un filtre à eau pour prévenir les dommages potentiels provoqués par la saleté retrouvée dans l'alimentation d'eau.

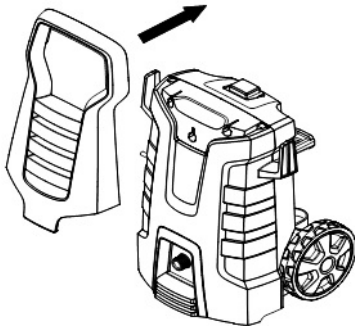
- Le tuyau d'arrosage doit avoir un diamètre d'au moins 1,58 cm (5/8 po).
- Le débit en alimentation d'eau ne doit pas être inférieur à 7.6 lpm (litre par minute) (2 gpm - gallons par minute).
- Le débit peut être déterminé en faisant couler l'eau pendant une

minute dans un contenant vide de 18,9 litres (5 gallons).

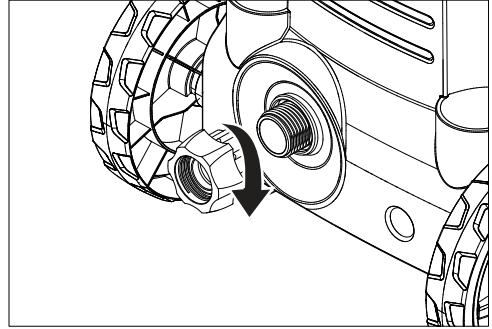
- La température en alimentation d'eau ne doit pas être supérieure à 104 °F/ 40 °C.
- N'utilisez jamais la laveuse à pression pour puiser de l'eau contaminée avec des solvants, par exemple du diluant à peinture, du carburant, de l'huile, etc.
- Veuillez toujours empêcher les débris d'être aspirés dans l'appareil en vous assurant d'utiliser une source d'eau propre.

Instructions De Montage

1. Si des dommages causés pendant le transport sont découverts sur l'appareil lors du déballage, communiquez avec votre distributeur.
2. S'assurer que tout le contenu de l'emballage est correct et conserver toute la documentation.
3. Fixer la poignée à l'appareil en enclenchant les trois boutons..



4. Installer le raccord de boyau sur l'entrée d'eau.



5. Le filtre d'entrée doit toujours être installé à l'intérieur de l'entrée d'eau pour filtrer le sable, le calcaire et autres impuretés, car ils endommagent les vannes de la pompe.

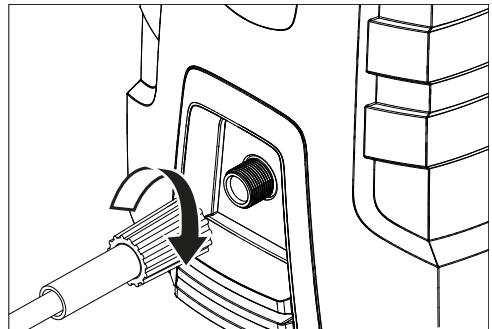


MISE EN GARDE

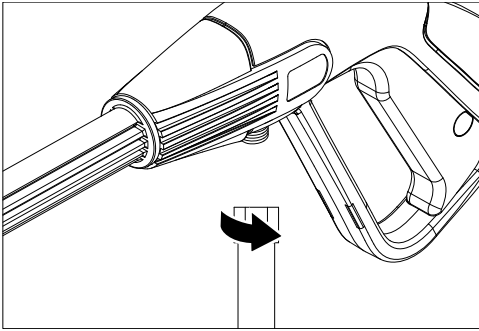
Le mauvais ajustement du filtre annulera la garantie.

Instructions De Fonctionnement

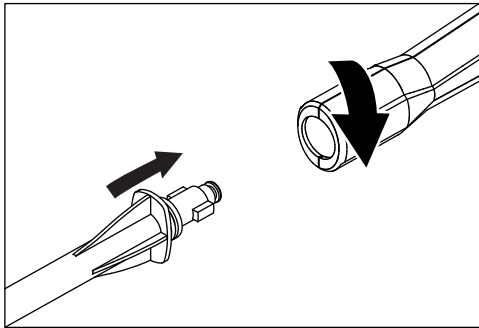
1. Raccorder le tuyau haute pression au port de sortie situé à l'avant.



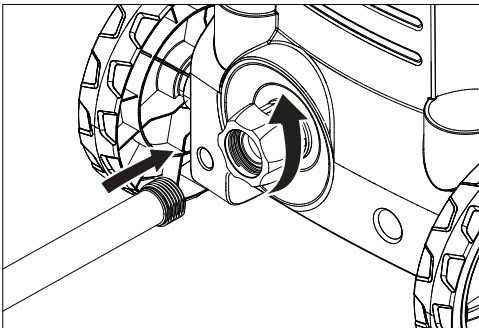
2. Vissez l'autre extrémité du tuyau à haute pression sur l'entrée du pistolet.



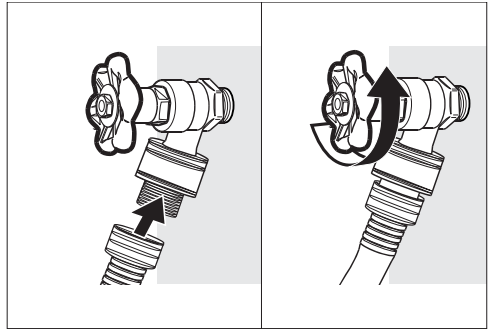
3. Insérer le tube de vaporisation dans le pistolet vaporisateur. L'appuyer contre le ressort tenseur et tourner en position verrouillée.



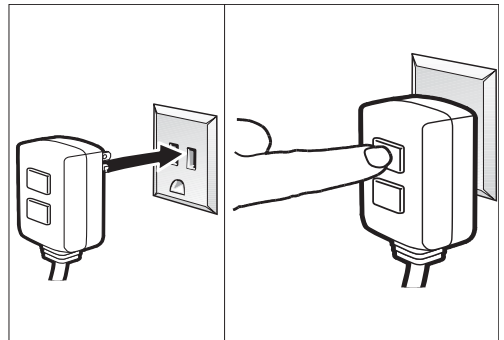
4. Raccorder le tuyau d'alimentation en eau au connecteur d'entrée situé à l'arrière.



5. Raccorder le boyau d'arrosage à la source d'eau froide et ouvrir l'eau complètement.



6. Brancher le disjoncteur différentiel de fuite à la terre (DDFT) dans une prise qui fonctionne. Nous vous recommandons de tester le DDFT dans le cadre de la procédure de démarrage chaque fois que vous utilisez la machine. Pour apprendre comment effectuer cette tâche, visiter Karcher-help.com/ et rechercher DDFT.

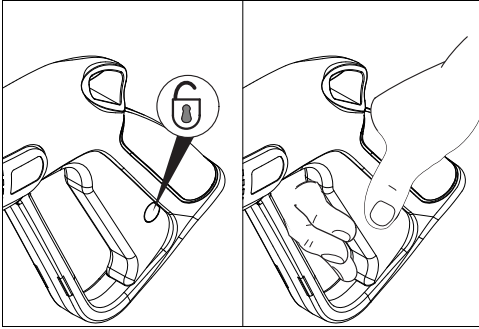


 **WARNING**

Ne pas utiliser si le DDFT échoue le test.

NOTE: L'apparence réelle du DDFT pourrait différer de cette illustration.

7. Déverrouiller le verrou de sécurité du pistolet vaporisateur. Déclencher le pistolet pour éliminer l'air emprisonné. Attendre qu'un flux constant d'eau émerge de la buse de vaporisation.



8. Mettre l'appareil en marche en appuyant sur le bouton sur le dessus de l'appareil.

Utilisation Des Accessoires



WARNING

Pour éviter de graves blessures, ne dirigez jamais la buse de pulvérisation vers vous, vers d'autres personnes ou vers des animaux.

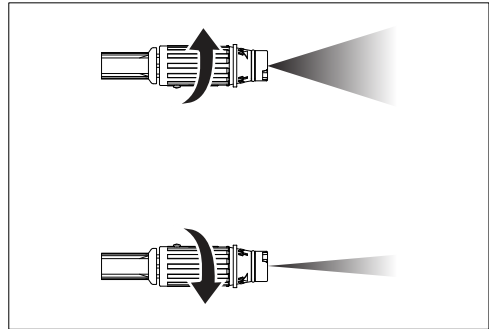


CAUTION

Toujours tester un endroit moins en évidence avant de nettoyer avec la haute pression.

Tube-rallonge pistolet

La lance est pourvue d'une buse réglable pour vous permettre de faire varier la largeur du pulvérisateur. Pour ajuster la largeur du pulvérisateur, tourner la buse comme indiqué.

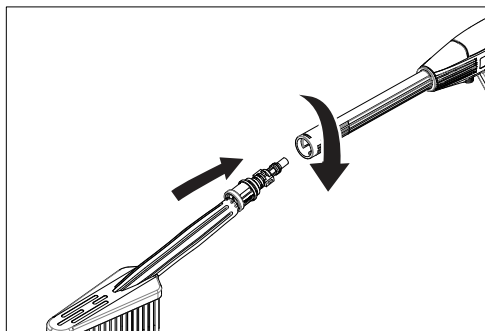


- Positionnez le bout de la lance entre 30 cm (11.8 po) de la surface.
- Tenir fermement la gâchette à rondelle de pression avec les deux mains pendant le nettoyage.
- Le dispositif de sécurité de la gâchette à pression est destiné à empêcher un fonctionnement involontaire. S'assurer que le dispositif de sécurité de la gâchette est activé lorsque celle-ci n'est pas utilisée.

Brosse de lavage à poils doux

La brosse de lavage à poils doux s'utilise pour un nettoyage en douceur sur la peinture, les meubles d'extérieur, les parois et les automobiles.

1. Mouiller la surface entière avec le tube-rallonge avant d'utiliser la brosse.
2. Laver la brosse avec le tube-rallonge avant de l'utiliser sur la surface.
3. Installer la brosse et récurer la surface.

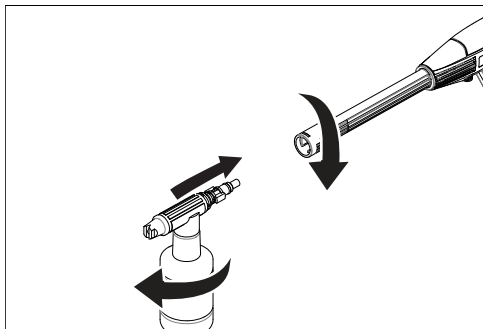


4. Réinstaller le tube-rallonge pour rincer la surface.

Détergent mousse

Le mousser de détergent s'utilise pour appliquer le détergent avec le pulvérisateur à jet d'eau sous pression Armor All.

1. Retirer le flacon de la buse et le remplir de détergent de marque Kärcher.
2. Réinstaller le flacon sur la buse..



3. Fixer la buse sur le pistolet pulvérisateur pour appliquer le détergent sur les surfaces.
4. Réinstaller le tube-rallonge pour rincer la surface.

Travailler Avec Des Détergents

Pour de meilleurs résultats, voir Conseils de nettoyage pour obtenir des renseignements spécifiques sur la façon de nettoyer différentes surfaces.

Veuillez toujours utiliser les détergents Kärcher; pour de meilleurs résultats.

Les détergents biodégradables Kärcher sont spécialement formulés pour protéger l'environnement et votre laveuse à pression. La formule spéciale ne bouchera pas le fi ltre du tube et protégera les pièces internes de la laveuse à pression pour une durée de vie prolongée. Pour les détergents Kärcher, consultez votre détaillant ou visitez notre site Web:

www.Karcher.com/us



MISE EN GARDE

Ne jamais utiliser :

- Eau de javel, produits contenant du chlore ou d'autres produits chimiques corrosifs.
- Liquides contenant des solvants (par exemple du diluant à peinture, du carburant, de l'huile).
- Produits contenant du phosphate de trisodium.
- Produits contenant de l'ammoniaque.
- Produits à base d'acide.

Ces produits chimiques nuiront à l'appareil et endommageront la surface nettoyée.

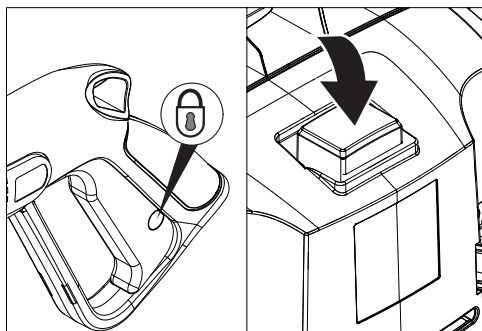
Utilisation de ces produits annulera la garantie.

Les détergents peuvent être appliqués seulement avec la basse pression.

Utiliser les détergents conformément aux instructions du fabricant.

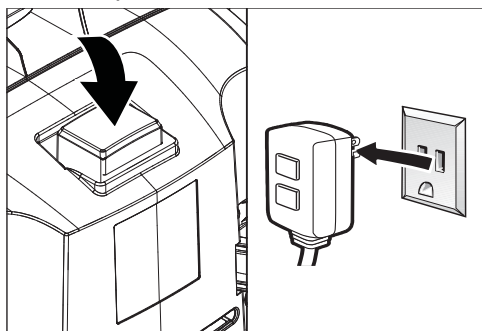
Prendre Une Pause cinq minutes ou plus

1. Relâchez la gâchette et mettez le verrou de sécurité du pistolet.
2. Éteindre le pulvérisateur à jet d'eau sous pression en appuyant sur le bouton qui se trouve sur le dessus de l'appareil.



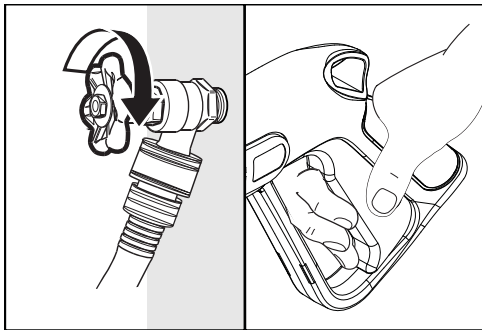
Arrêt Et Entretien

1. Éteindre la machine en appuyant sur le bouton qui se trouve sur le dessus de l'appareil et débrancher le cordon de la prise.

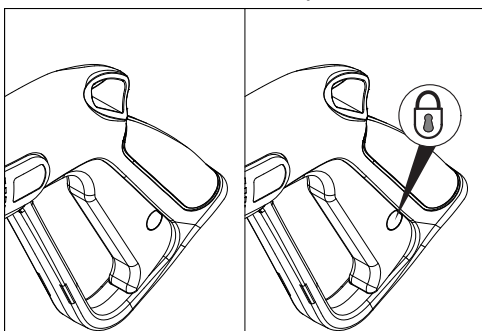


2. Fermez la source d'eau.

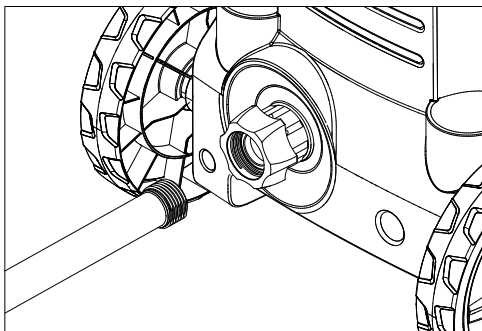
3. Appuyez sur la gâchette pour relâcher la pression d'eau.



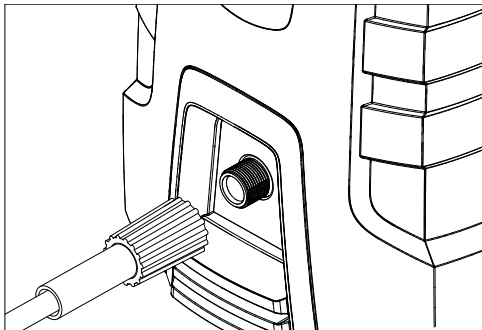
4. Relâchez la gâchette et mettez le verrou de sécurité du pistolet.



5. Débrancher le boyau d'arrosage de l'entrée d'eau de la machine.



6. Dévisser et débrancher le boyau à haute pression de la machine.



Entreposage À Long Terme Et Pour Hiver

1. Débranchez tous les raccords d'eau.
2. Faites fonctionner l'appareil pendant quelques secondes, jusqu'à ce que l'eau qui restait dans la pompe sorte. Arrêtez immédiatement le moteur.
3. Évitez de plier le boyau à haute pression.
4. Rangez l'appareil et les accessoires dans un endroit où il n'y a pas de risque de gel. NE rangez PAS l'appareil près d'une fournaise ou d'autres sources de chaleur puisque cela pourrait assécher les joints d'étanchéité de la pompe.



MISE EN GARDE

Ne pas suivre les indications ci-dessus peut causer des dommages à la pompe et les accessoires et annuler la garantie.

Kärcher recommande également d'utiliser régulièrement un protecteur de pompe comme " Kärcher Pump Guard " pour éviter

un dommage causé par le froid lors du stockage pendant les mois d'hiver.

- Pour des conseils de nettoyage additionnels, veuillez visiter notre site Web :

www.Karcher.com/us/

Instructions D'entretien

Nettoyage du filtre d'entrée d'eau

1. Débrancher le raccord de l'entrée d'eau.
2. Rincer le filtre d'entrée d'eau dans l'eau chaude.
3. Visser le raccord dans l'entrée d'eau.

Entretien

L'appareil ne nécessite aucun entretien.

Conseils De Nettoyage



MISE EN GARDE

- Avant de nettoyer une surface, une zone discrète devrait être nettoyée pour tester la forme du jet et la distance nécessaire pour obtenir un nettoyage maximum.
- Si les surfaces peintes s'écaillent ou s'effritent, soyez très prudent puisque la laveuse à pression pourrait enlever les écailles de peinture de la surface.
- Lorsque vous utilisez l'appareil sur des surfaces pouvant entrer en contact avec le bois, rincez les surfaces avec beaucoup d'eau douce.

Nettoyage de la terrasse

(Avec ou sans détergent)

Effectuez un pré-rinçage de la terrasse et des zones environnantes avec de l'eau douce. Si on utilise du détergent, l'appliquer sur la surface à basse pression. Pour de meilleurs résultats, limitez votre zone de travail à des petites sections d'environ 2,3 m² (25 pi²). Veuillez laisser agir le détergent sur la surface de 1 à 3 minutes. Ne laissez pas le détergent sécher sur la surface. Rincez à haute pression en effectuant un mouvement de balayage et en gardant la buse de pulvérisation à environ 8 cm à 15 cm (3-6 po) de la surface à nettoyer. Toujours nettoyer du haut vers le bas et de gauche à droite. Lorsque vous vous déplacez pour nettoyer une nouvelle section, assurez-vous de chevaucher la section précédente afin de prévenir les marques d'arrêts et pour assurer un nettoyage plus uniforme.

Parements de maison

(Avec ou sans détergent)

Pré-rincez la surface à nettoyer avec de l'eau douce. Si on utilise du détergent, l'appliquer sur la surface à basse pression. Pour de meilleurs résultats, limitez votre zone de travail à des petites sections d'environ 1.8

m² (6 pi²). Toujours appliquer le détergent du bas vers le haut. Veuillez laisser agir le détergent sur la surface de 1 à 3 minutes. Ne laissez pas le détergent sécher sur la surface; si la surface semble sécher, vous n'avez qu'à la mouiller avec de l'eau douce. Au besoin, utilisez une brosse spéciale pour le nettoyage (non incluse) pour enlever la saleté tenace. Rincez à haute pression dans un mouvement de balayage du haut vers le bas, tout en gardant la buse de pulvérisation à environ 1.8 m (6 pi) de la surface à nettoyer.

Patio de ciment, de briques et de pierres

(Avec ou sans détergent)

Pré-rincez la surface à nettoyer avec de l'eau douce. Si on utilise du détergent, l'appliquer sur la surface à basse pression. Pour de meilleurs résultats, limitez votre zone de travail à des petites sections d'environ 2.3 m² (25 pi²). Laissez le détergent ou le dégraissant sur la surface pendant 1 à 3 minutes.

Ne laissez pas le détergent sécher sur la surface.

Rincez à haute pression en effectuant un mouvement de balayage et en gardant la buse de pulvérisation à environ 7 cm à 15 cm (3-6 po) de la surface à nettoyer.

Pour de meilleurs résultats, nettoyez du haut vers le bas et de gauche à droite.

Utiliser la buse Turbo pour enlever les taches extrêmement tenaces.

Automobiles, bateaux et motocyclettes

(Avec ou sans détergent)

Effectuez un pré-rinçage de la terrasse et des zones environnantes avec de l'eau douce. Si on utilise du détergent, l'appliquer sur la surface à basse pression. Pour de meilleurs résultats, nettoyez un côté du véhicule à la fois et toujours appliquer le détergent du bas vers le haut; ne laissez pas le détergent sécher sur la surface.

Au besoin, utilisez une brosse spéciale pour le nettoyage (non incluse) pour enlever la saleté tenace.

Rincez à haute pression en effectuant un mouvement de balayage et en gardant la buse de pulvérisation à environ 15 cm à 20 cm (6-8 po) de la surface à nettoyer (la distance devrait accroître si vous rincez des décalques ou des surfaces délicates).

Pour de meilleurs résultats, nettoyez du haut vers le bas et de gauche à droite.

Pour de meilleurs résultats, essayez la surface avec un chamois ou un chiffon doux et sec.

Barbecues, équipements motorisés d'extérieur et outils de jardin

(Avec ou sans détergent)

Pré-rincez la surface à nettoyer avec de l'eau douce. Si on utilise du détergent ou un dégraisseur, l'appliquer sur la surface à basse pression. Laisser le détergent ou le dégraisseur sur la surface pendant 1 à 3 minutes. Ne laissez pas le détergent sécher sur la surface. Rincez à haute pression en gardant la buse de pulvérisation à environ 7 cm à 15 cm (3-6 po) de la surface à nettoyer. Pour enlever les taches très tenaces, il peut être nécessaire de déplacer la buse de pulvérisation encore plus près de la surface pour obtenir un nettoyage en profondeur de la saleté.

Patio et meubles de jardin

(Avec ou sans détergent)

Effectuez un pré-rinçage des meubles et des zones environnantes avec de l'eau douce. Si on utilise du détergent, l'appliquer sur la surface à basse pression. Veuillez laisser agir le détergent sur la surface de 1 à 3 minutes. Ne laissez pas le détergent sécher sur la surface. Au besoin, utilisez une brosse spéciale pour le nettoyage (non incluse) pour enlever la saleté tenace. Rincez à haute pression en effectuant un mouvement de balayage et en gardant la buse de pulvérisation à

environ 8 cm à 15 cm (3-6 po) de la surface à nettoyer. Pour de meilleurs résultats, nettoyez du haut vers le bas et de gauche à droite.

Accessoires optionnels

Des accessoires optionnels sont disponibles pour améliorer davantage vos capacités de nettoyage. Ces accessoires sont exacts à la date d'impression de ce manuel. Veuillez consulter notre site Web pour des prix et des informations à jour.

Pump Guard

Spécialement formulé pour protéger votre machine à laver à pression du gel, de la corrosion et de l'usure prématurée. Le Pump Guard ajoute aussi une lubrification sur les soupapes et les joints d'étanchéité afin d'éviter qu'ils collent. Fortement recommandé pour toutes les machines à laver à pression Kärcher!

Numéro de pièce 9.558-998.0

Guide De Dépannage



AVERTISSEMENT

Débrancher l'appareil de la source d'alimentation avant d'effectuer des réparations.

Symptôme	Cause	Solution
Le Moteur Ne Démarre Pas	Cordon d'alimentation non branché.	Brancher le cordon d'alimentation.
	Prise électrique ne fournit pas une alimentation adéquate.	Essayer une prise différente.
	Fiche DDFT déclenchée.	Appuyer sur le bouton " Réinitialiser " de la fiche DDFT.
	Disjoncteur déclenché.	Réenclencher le disjoncteur.
	Le cordon d'alimentation est endommagé.	Remplacer le cordon d'alimentation.
L'appareil N'atteint Pas Une Haute Pression	Le diamètre du tuyau d'arrosage est trop étroit.	Remplacez par un tuyau d'arrosage de 1,58 cm (5/8 po) ou plus large.
	L'alimentation d'eau est restreinte.	Vérifiez le tuyau d'arrosage pour des torsions, des fuites et des obstructions.
	Capacité en alimentation d'eau insuffisante à l'entrée.	Ouvrez le robinet d'eau au complet.
	Le filtre à l'entrée d'eau est bloqué.	Retirer l'adaptateur du boyau d'arrosage et le rincer dans l'eau chaude.
	La buse est usée.	Remplacer la buse.

Symptôme	Cause	Solution
L'appareil N'atteint Pas Une Haute Pression	La pompe aspire de l'air.	Assurez-vous que les tuyaux et les raccords sont bien serrés. Éteignez l'appareil et purgez la pompe en pressant la gâchette du pistolet jusqu'à ce qu'un débit d'eau constant sorte de la buse.
	Il y a de la saleté dans la source d'eau.	Changer la source d'eau.
	Le tuyau d'entrée fuit ou est bloqué.	Nettoyer ou changer le tuyau d'entrée.
	Le siège de la pompe fuit.	Remplacer le siège de la pompe.
La Pression De Sortie Varie De Haute À Basse	Capacité en alimentation d'eau insuffisante à l'entrée.	Ouvrez le robinet d'eau au complet. Vérifiez le tuyau d'arrosage pour des torsions, des fuites et des obstructions.
	La pompe aspire de l'air.	Assurez-vous que les tuyaux et les raccords sont bien serrés. Éteignez l'appareil et purgez la pompe en pressant la gâchette du pistolet jusqu'à ce qu'un débit d'eau constant sorte de la buse.
	Le filtre à l'entrée d'eau est bloqué.	Retirer l'adaptateur du boyau d'arrosage et le rincer dans l'eau chaude.
	La buse de pulvérisation est obstruée.	Soufflez ou enlevez les débris avec une fine aiguille.
Aucun Détergent	Le détergent est trop épais.	Diluez le détergent. Pour de meilleurs résultats, utilisez le détergent Kärcher.
	La buse de pulvérisation est obstruée.	Soufflez ou enlevez les débris avec une fine aiguille.

Symptôme	Cause	Solution
Fuite De La Connexion Du Tuyau D'arrosage	Les raccords ne sont pas serrés.	Serrez les raccords.
	Rondelle de caoutchouc manquante ou endommagée.	Insérez une nouvelle rondelle.
Fuite De La Lance D'arrosage	La lance d'arrosage n'est pas correctement installée.	Insérer le tube de vaporisation dans le pistolet déclencheur. Appuyer avec soin contre le ressort tenseur et tourner en position verrouillée.
	Joint torique ou insert de plastique brisé.	Veillez visiter www.karcher-help.com ou trouver un centre de service.
Aucun flux de l'eau ou le débit n'est trop faible	La pompe ne prend pas d'eau.	Assurez-vous que les tuyaux et les raccords sont bien serrés. Éteignez l'appareil et purgez la pompe en pressant la gâchette du pistolet jusqu'à ce qu'un débit d'eau constant sorte de la buse.

Si le problème que vous avez n'est pas énuméré dans la liste ci-dessus, ou si les solutions fournies ne permettent pas de résoudre le problème, veuillez visiter notre vaste banque de données pour dépannage en ligne à :

USA/Canada :
www.karcher-help.com

Mexico :
www.karcher.com.mx

Ou composez le :
1-800-537-4129