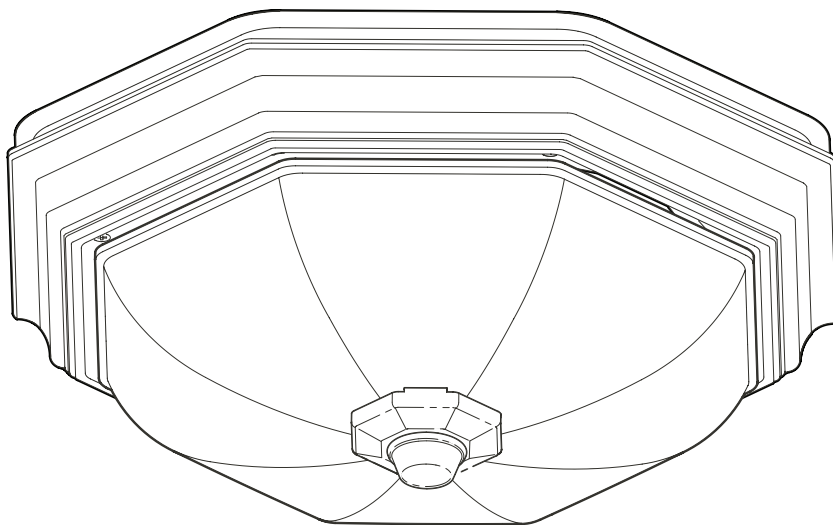




Model# 80213
SKU#: 1001-651-809

USE AND CARE GUIDE

VENTILATION FAN WITH LED LIGHTS



Questions, problems, missing parts? Before returning to the store,
call Hampton Bay Customer Service
8 a.m. - 7 p.m., EST, Monday - Friday, 9 a.m. - 6 p.m., EST, Saturday

1-855-HD-HAMPTON

HAMPTONBAY.COM

THANK YOU

We appreciate the trust and confidence you have placed in Hampton Bay through the purchase of this ventilation fan. We strive to continually create quality products designed to enhance your home. Visit us online to see our full line of products available for your home improvement needs. Thank you for choosing Hampton Bay!


Table of Contents


Table of Contents	2	Installation	7
Safety Information	2	A. New Construction - Attaching to Joist	9
Warranty	3	B. New Construction - Suspended between Joist	11
Pre-Installation	3	C. Existing Construction - Accessible from Above	15
Planning For Successful Installation	3	D. Existing Construction - Accessible from Below	19
Installation Options	4	E. Attaching the Grill	21
Tools Required	5	Care and Cleaning	23
Materials Required	5	Troubleshooting	23
Hardware Included	5	Specifications	23
Package Contents	6	Service Parts	24

Safety Information

PLEASE READ AND SAVE THESE INSTRUCTIONS.


1. This ventilation fan is approved for use over a bathtub or shower when installed in a GFCI protected circuit. Do not use unapproved fans over a bathtub or shower that does not include a GFCI protected circuit.
2. Installation work must be carried out by a qualified person(s) in accordance with all local and safety codes including the rules for fire-rated construction.
3. To reduce the risk of fire, always vent fans to the exterior and in compliance with local codes. Do not vent exhaust air into spaces within walls, ceilings, attics, crawl spaces, or garages.
4. Install ductwork in a straight line with minimal bends.
5. Use 120V, 60Hz for the electrical supply and properly ground the unit. Follow all local safety and electrical codes.
6. Do not use this fan with any solid state control device; such as a dimmer switch. Solid-state controls may cause harmonic distortion, which can cause a motor humming noise.
7. To reduce the risk of fire, electric shock or injury to persons, observe the following:
 - Use this unit only in the manner intended by the manufacturer. If you have questions, contact the manufacturer.
 - Before servicing or cleaning the unit, switch the power off at the service panel and lock the service disconnecting means to prevent power from being switched on accidentally. When the service disconnecting means cannot be locked, securely fasten a prominent warning device, such as a tag, to the service panel.
8. Sufficient air is needed for proper combustion and exhausting of gases through the flue (chimney) of fuel burning equipment to prevent back drafting. Follow the heating equipment manufacturer's guideline and safety standards such as those published by the National Fire Protection Association (NFPA), and the American Society for Heating, Refrigeration and Air Conditioning Engineers (ASHRAE), and the local code authorities.
9. When cutting or drilling into wall(s) or ceiling, do not damage electrical wiring or other hidden utilities.
10. This unit must be grounded.
11. This unit must not be installed in a ceiling thermally insulated to a value greater than R40.
12. Do not install fan above or inside a 45-degree angle projected outwards from the cooking equipment element closest to the fan. See instruction sheet for clarification.

 **WARNING:** Not suitable for use as a range hood or in areas where hazardous or explosive vapors are present.

 **WARNING:** Ducted fans must always be vented to the outdoors. Never place a switch where it can be reached from a tub or shower. Install the fan at least 5 ft. (1.52 m) above the floor.


 **WARNING:** FOR USE IN NON FIRE-RELATED INSTALLATIONS ONLY.


 **WARNING:** FOR USE IN ONE-AND-TWO FAMILY DWELLINGS ONLY.


 **WARNING:** To reduce the risk of fire or electric shock, do not use this fan with any solid-state speed control device.

 **CAUTION:** Do not install in locations where the air temperature will exceed 104°F (40°C).

 **CAUTION:** For general ventilating use only. Do not use to exhaust hazardous or explosive materials and vapors.

 **IMPORTANT:** You may want to consult with a professional electrician regarding the wiring of your ventilation fan.

 **NOTE:** Make sure the duct work size is a minimum of the discharge. Do not reduce. Reducing the duct size can increase fan noise.

 **NOTE:** Proper installation of insulation around and over fan body to minimize building heat loss and gain.

Warranty

LIMITED WARRANTY

WHAT IS COVERED

Hampton Bay warrants the fan motor to be free from defects in workmanship and material present at time of shipment from the factory for a period of five years after the date of purchase by the original purchaser. Hampton Bay also warrants that all other fan parts, excluding any glass or acrylic blades, to be free from defects in workmanship and material at the time of shipment from the factory for a period of one year after the date of purchase by the original purchaser. We agree to correct such defects without charge or at our option replace with a comparable or superior model if the product is returned to Hampton Bay. To obtain warranty service, you must present a copy of the receipt as proof of purchase. All costs of removing and reinstalling the product are your responsibility. Damage to any part such as by accident or misuse or improper installation or by affixing any accessories, is not covered by this warranty. Because of varying climatic conditions this warranty does not cover any changes in brass finish, including rusting, pitting, corroding, tarnishing or peeling. Brass finishes of this type give their longest useful life when protected from varying weather conditions. A certain amount of "wobble" is normal and should not be considered a defect. Servicing performed by unauthorized persons shall render the warranty invalid. There is no other express warranty. Hampton Bay hereby disclaims any and all warranties, including but not limited to those of merchantability and fitness for a particular purpose to the extent permitted by law. The duration of any implied warranty which cannot be disclaimed is limited to the time period as specified in the express warranty. Some states do not allow limitation on how long an implied warranty lasts, so the above limitation may not apply to you. The retailer shall not be liable for incidental, consequential, or special damages arising out of or in connection with product use or performance except as may otherwise be accorded by law. Some states do not allow the exclusion of incidental or consequential damages, so the above exclusion or limitation may not apply to you. This warranty gives specific legal rights, and you may also have other rights which vary from state to state. This warranty supersedes all prior warranties. Shipping costs for any return of product as part of a claim on the warranty must be paid by the customer.

Pre-installation

PLANNING FOR SUCCESSFUL INSTALLATION

When installing the ventilation fan in a new construction site, install the main body of the fan and duct work during the rough-in construction of the building. The grill should be installed after the finished ceiling is in place.

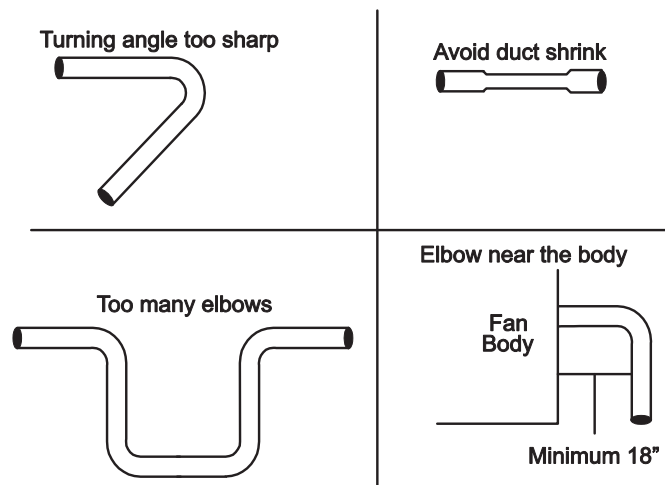
When installing in existing construction, use the dimensions on page 15 to determine the required hole size for the ceiling. The grill edges should overlap the finished ceiling.



NOTE: If installing in existing construction, you must have access to space above and below the installation location.

This unit will operate most quietly and efficiently when located where the shortest possible duct run and minimum number of elbows will be needed.

Do not install the ventilation fan in areas where the duct work will require configurations as shown in the following figure.



Pre-installation (continued)

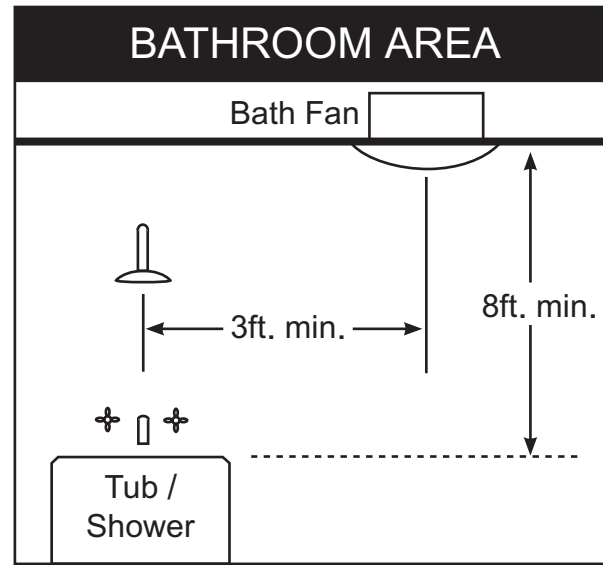
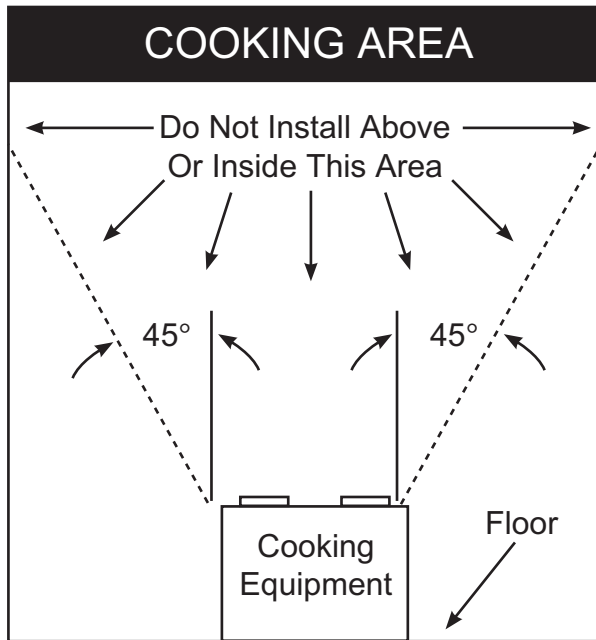
PLANNING FOR SUCCESSFUL INSTALLATION (continued)



CAUTION: To avoid motor bearing damage and noisy/unbalanced impellers, keep drywall spray, construction dust, etc. off power unit.



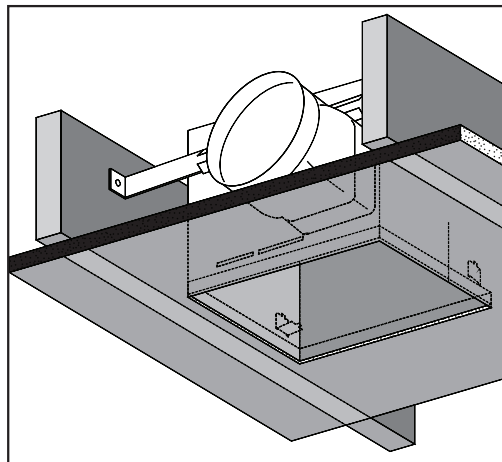
CAUTION: DO NOT install this product in a wall. This product is designed for installation in ceilings up to a 12/12 pitch (45 degrees). Ductwork must point upward.



INSTALLATION OPTIONS

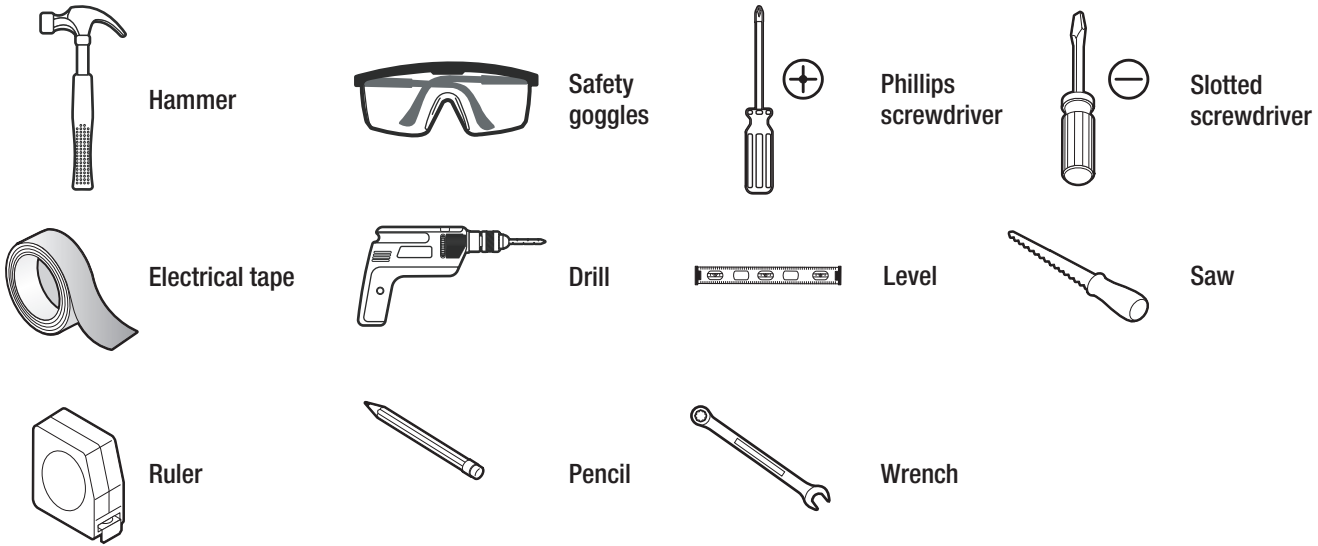
We recommend installing the ventilation fan by securing the main body of the fan against one ceiling joist and using the mounting rails as necessary for support of the adjoining joist.

There are multiple installation configurations possible for this ventilation fan. Not all configurations are shown. If your installation requires a variation other than those shown, consult with a licensed contractor to determine the best installation for your project. If you are replacing an existing fan, ensure that the new grill will adequately cover the existing opening.

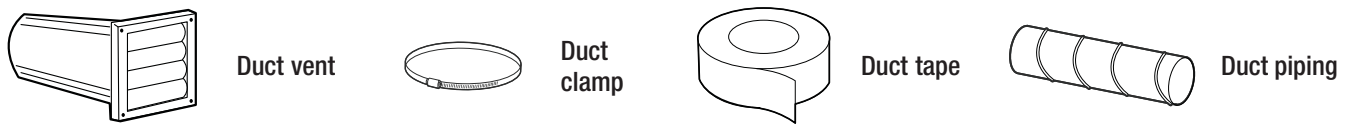


Pre-installation (continued)

TOOLS REQUIRED



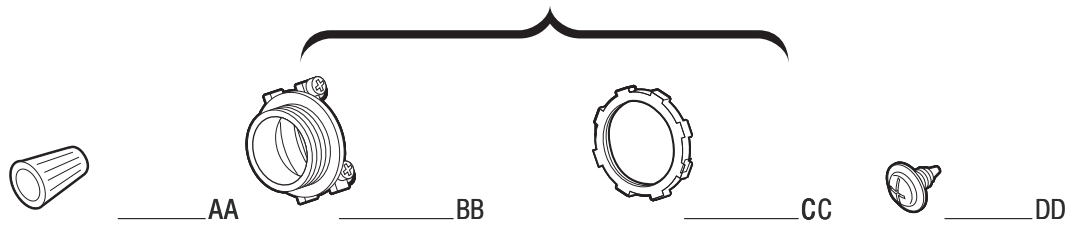
MATERIALS REQUIRED



HARDWARE INCLUDED



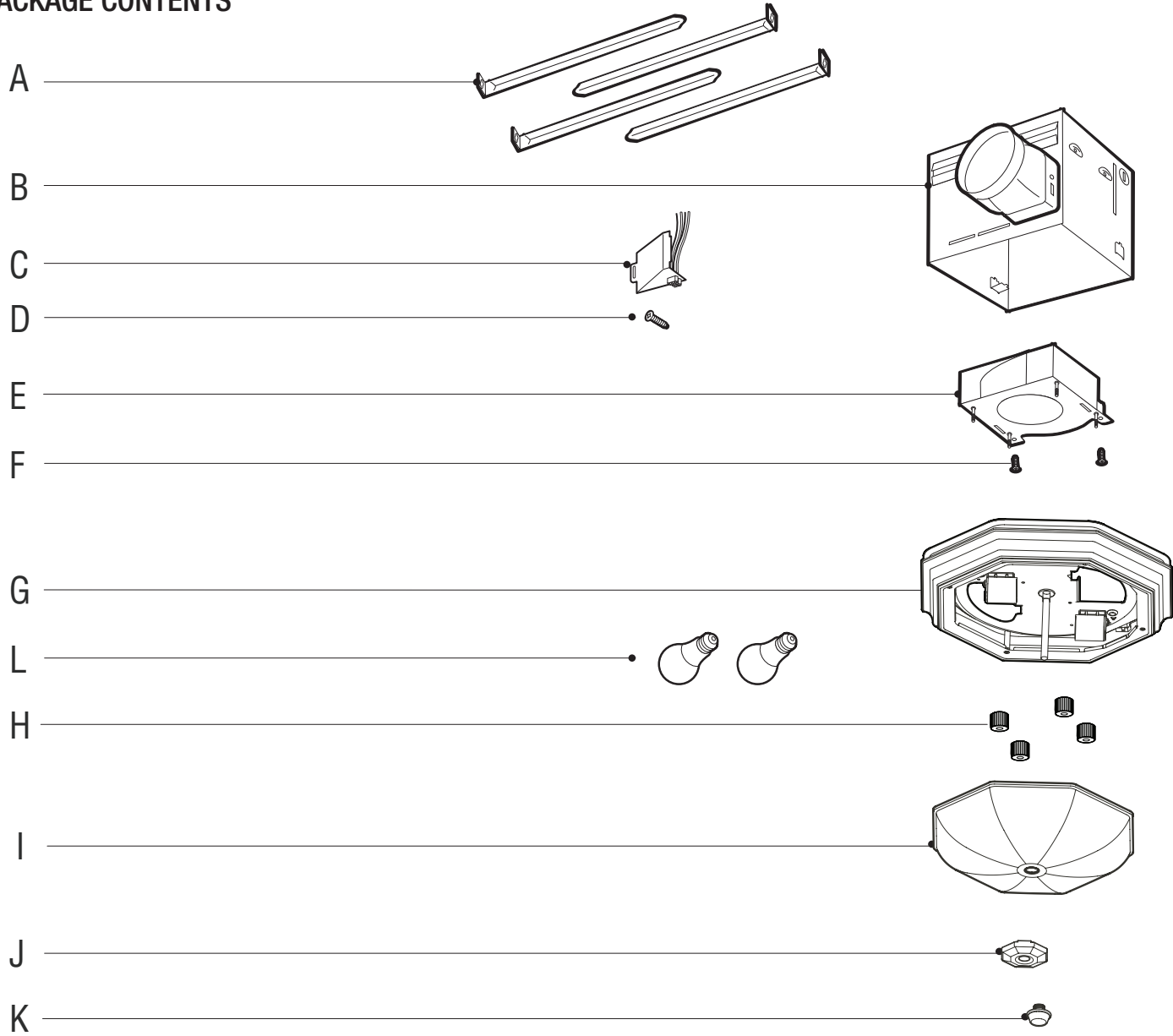
NOTE: Hardware not shown to actual size.



Part	Description	Quantity
AA	Wire Nuts	4
BB	3/8" Strain Relief	1
CC	3/8" Washer	1
DD	Extra Screws	2

Pre-installation (continued)

PACKAGE CONTENTS



Part	Description
A	Mounting Rail
B	Housing
C	Wiring Cover
D	Wiring Cover Screw
E	Motor
F	Motor Screw

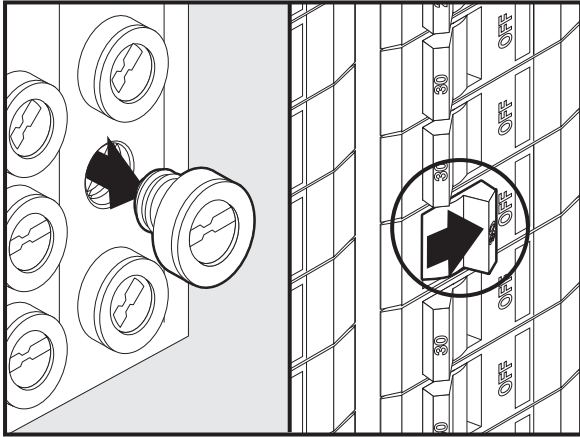
Part	Description
G	Grill
H	Grill Nut
I	Glass Dome
J	Dome Cover
K	Finial
L	9.5 Watt E-26 LED bulbs

Installation

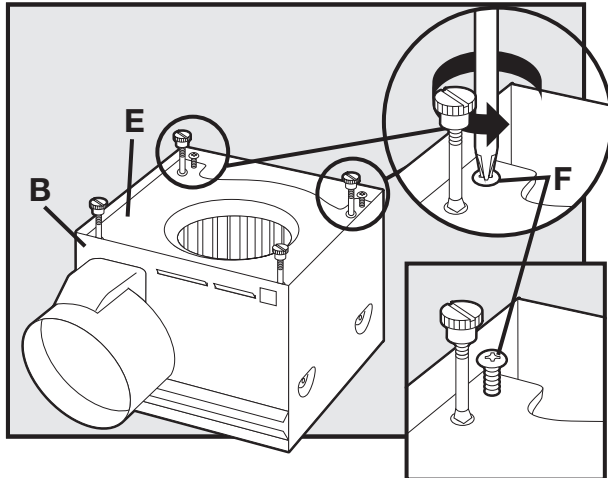


NOTE: Estimated assembly time: 30 to 60 minutes. Remove all packing materials before installation.

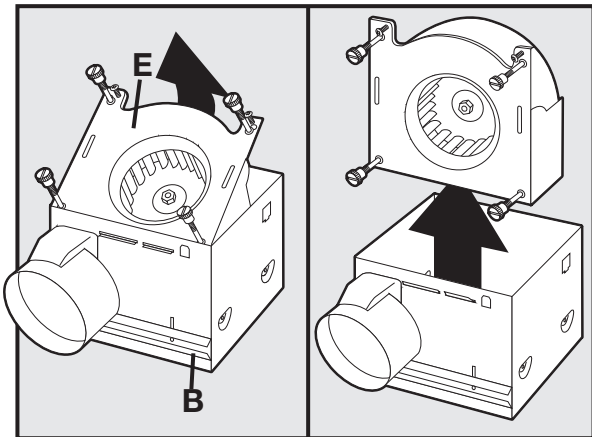
1. Turn off the power source.



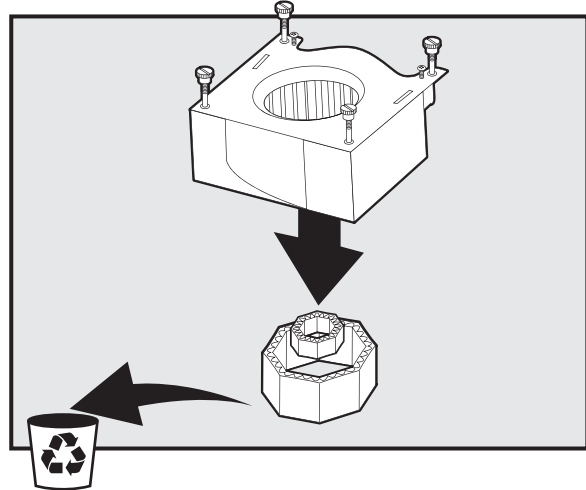
2. Loosen the motor screws (F) from the motor (E) and housing (B).



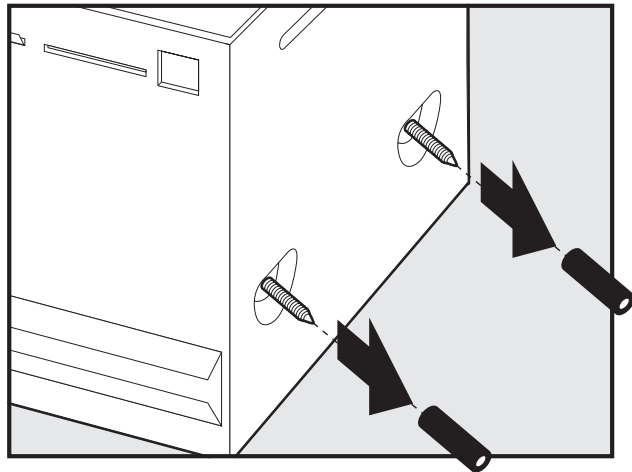
3. Remove the motor/blower (E) from the housing (B).



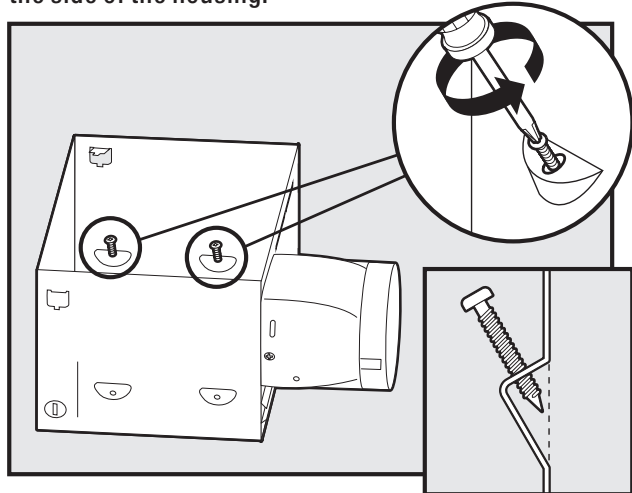
4. Remove packing material.



5. Remove the pre-loaded screw tip covers.



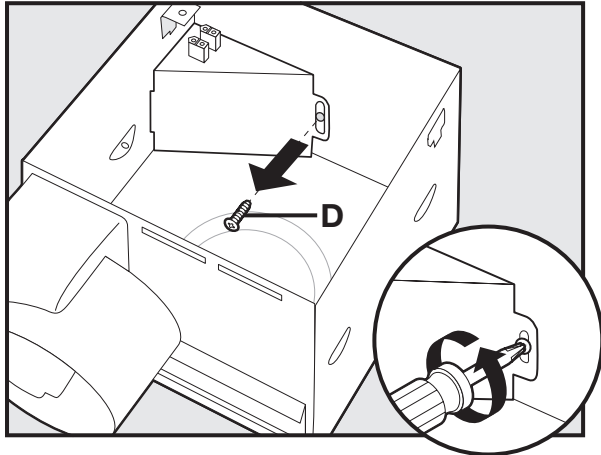
6. Back out the pre-loaded screw tips until flush with the side of the housing.



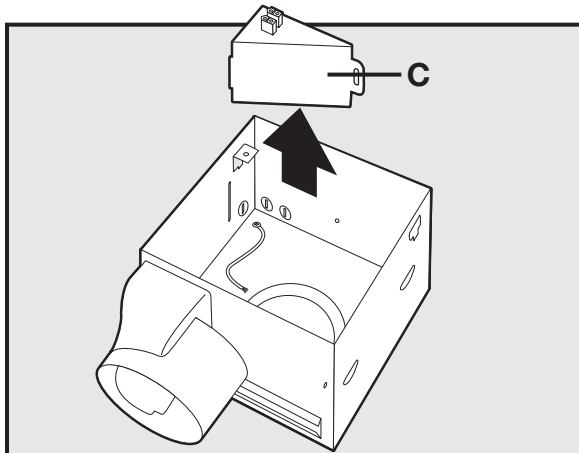


Installation (continued)

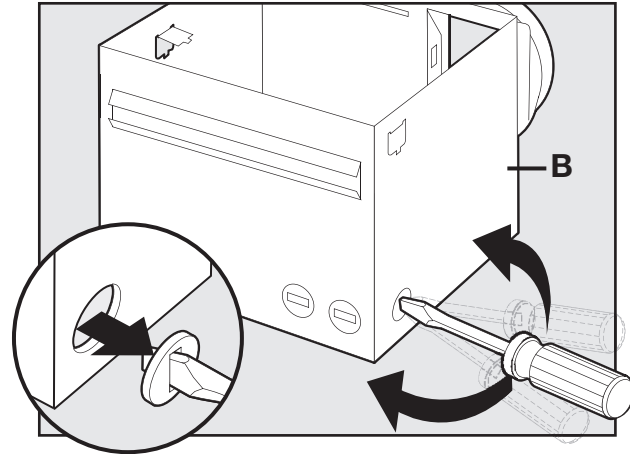
7. Remove the wiring cover screw (D).



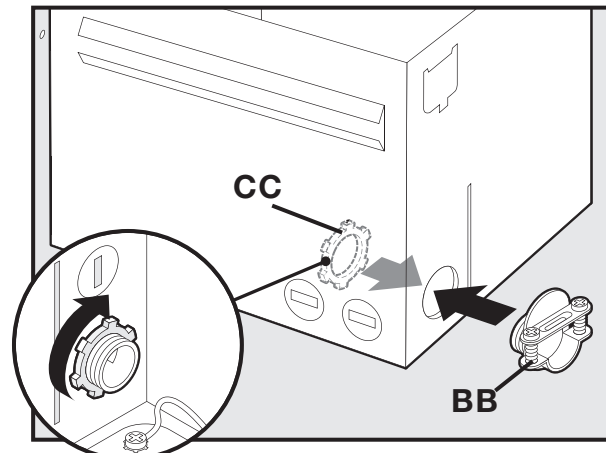
8. Remove the wiring cover (C).



9. Pop out the first wiring access slug. Use second if needed.



10. Insert the strain relief (BB) into the housing and secure with the washer (CC).



Choose Installation Option

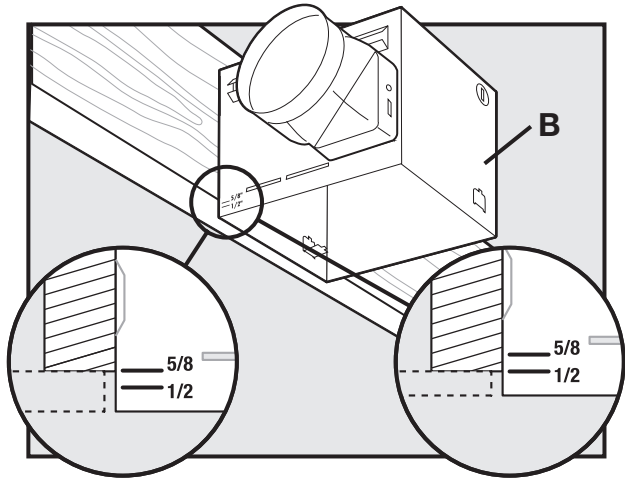
- For New Construction - attaching to joist go to step A, page 9.
- For New Construction - suspended between joists go to step B, page 11.
- For Existing Construction - accessible from above go to step C, page 15.
- For Existing Construction - accessible only from below go to step D, page 19.



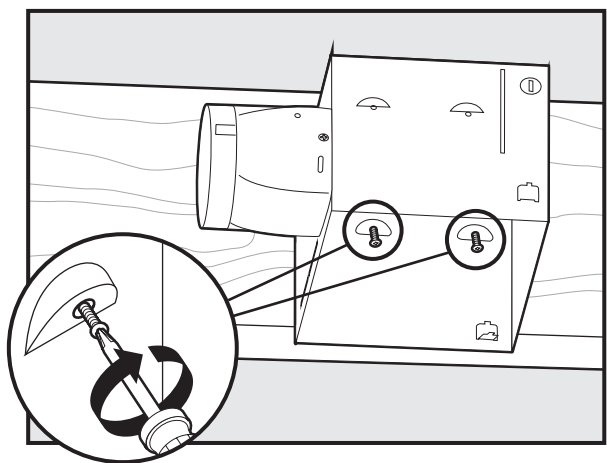
Installation (continued)

A. NEW CONSTRUCTION - ATTACHING TO JOIST

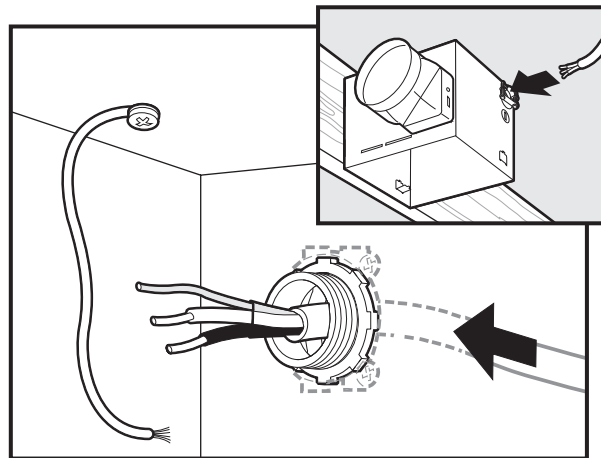
A11. Position the correct depth mark at the bottom edge of the joist based on the thickness of your sheetrock.



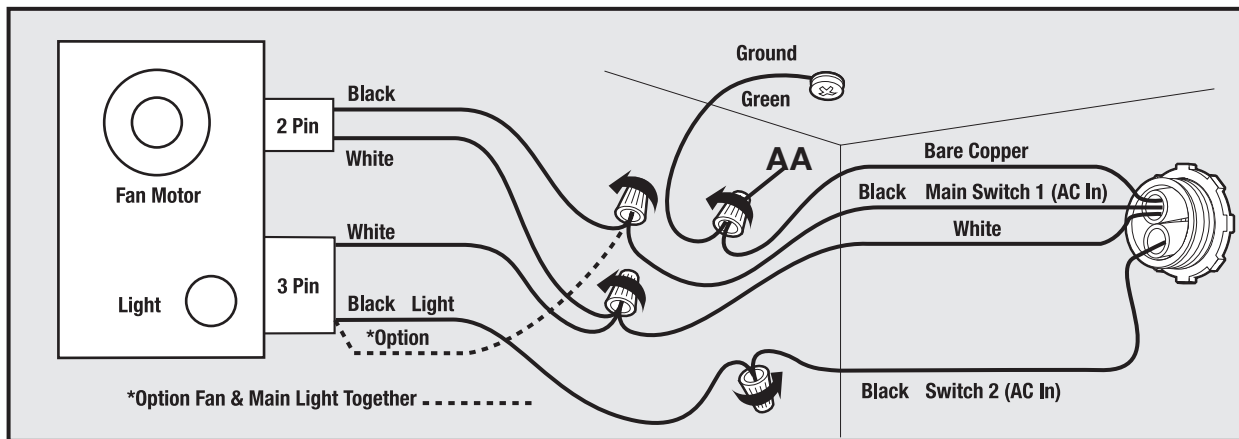
A12. Screw pre-loaded screws into the joist or framing.



A13. Route wires through the strain relief.



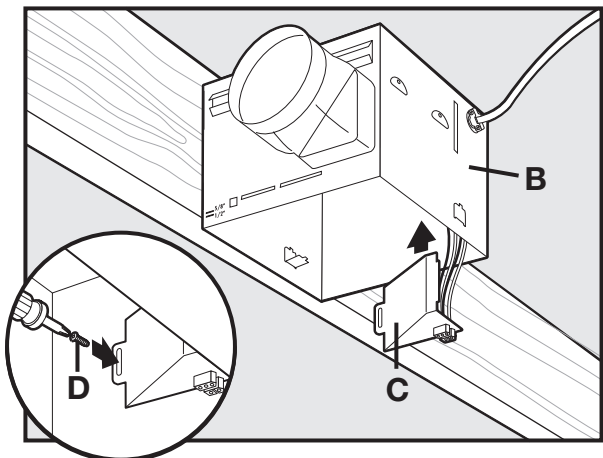
A14. Connect wires as shown using wire nuts (AA).



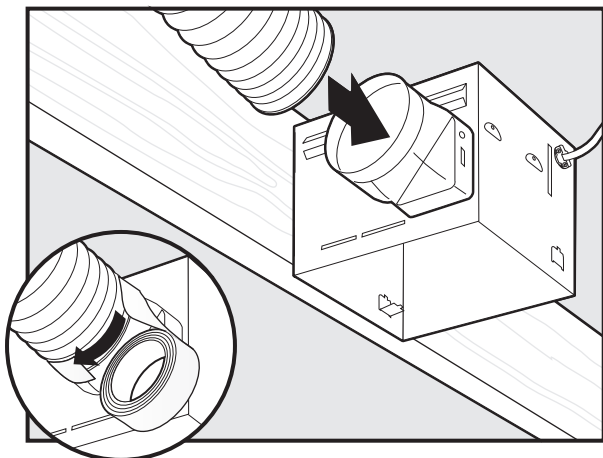


Installation (continued)

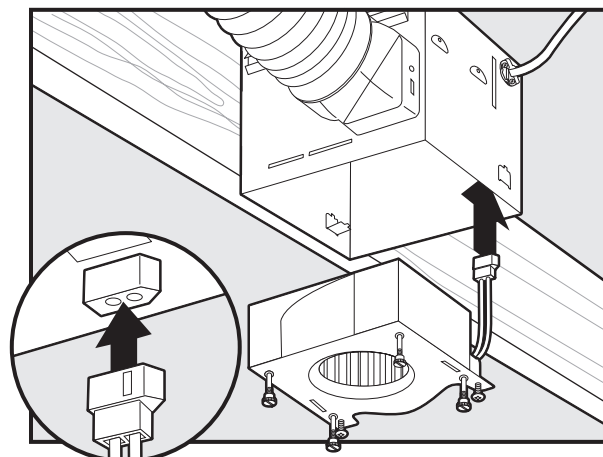
A15. Install the wiring cover (C) using the wiring cover screw (D). Make sure wiring connections are inside the box or under the wiring cover (C).



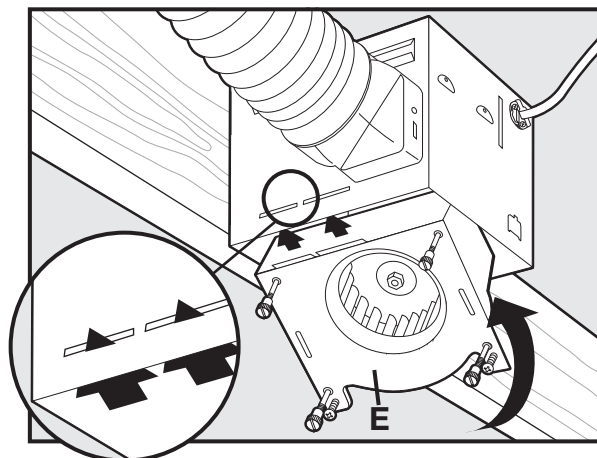
A16. Connect 4" duct and vent to the outside. Tape joints. If ducting does not fit securely, an adapter may need to be purchased.



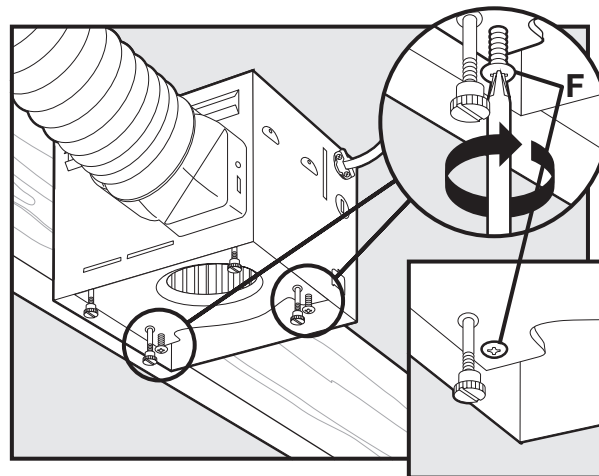
A17. Connect the wiring harness. **DO NOT ALLOW THE MOTOR TO HANG FROM THE WIRING HARNESS.**



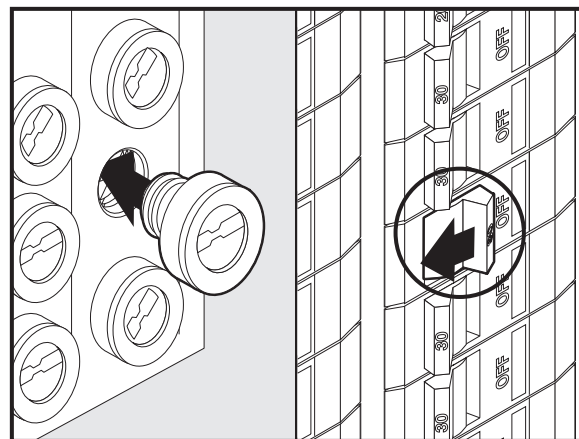
A18. Reinstall the motor (E) by inserting the tabs and pushing up into position. Make sure the wires are not pinched between the motor and the housing.



A19. Secure the motor by tightening the two screws (F).



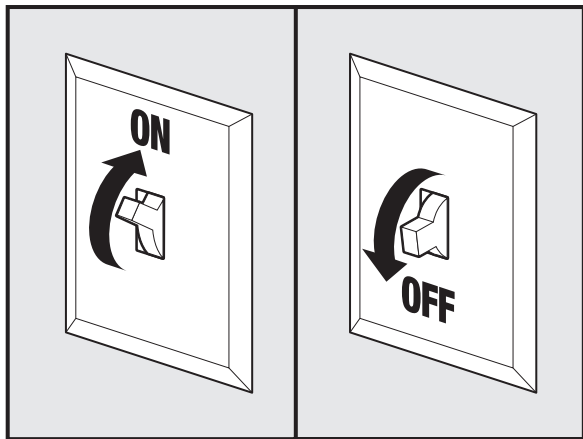
A20. Turn on the power source.





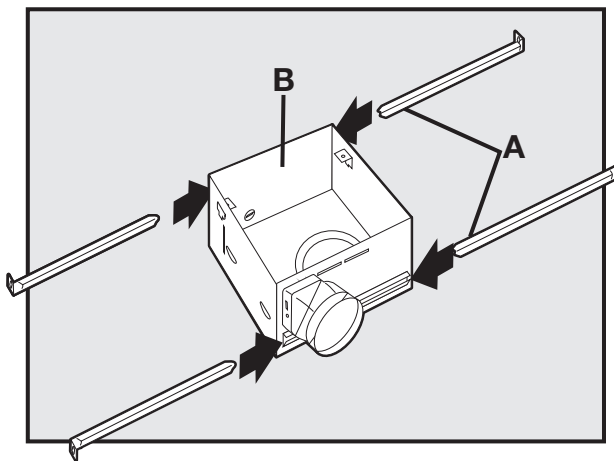
Installation (continued)

A21. Test the motor. If the motor does not run, check the plug connection.

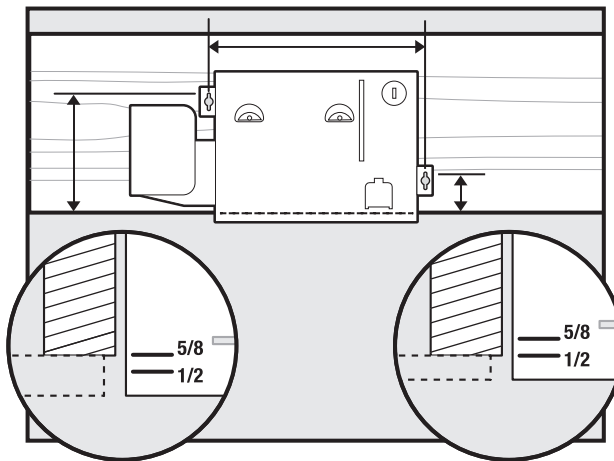


B. NEW CONSTRUCTION - SUSPENDED BETWEEN JOIST

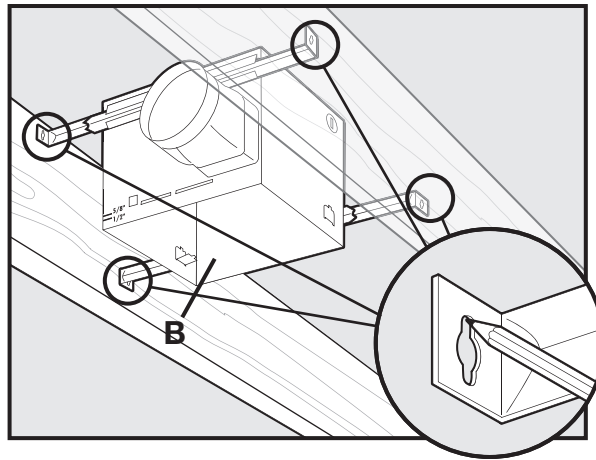
B11. Slide the mounting rails (A) into the brackets on the housing (B).



B12. Position the correct depth mark at the bottom edge of the joist based on the thickness of your sheetrock.



B13. Mark the position of the screws by using holes as a template.

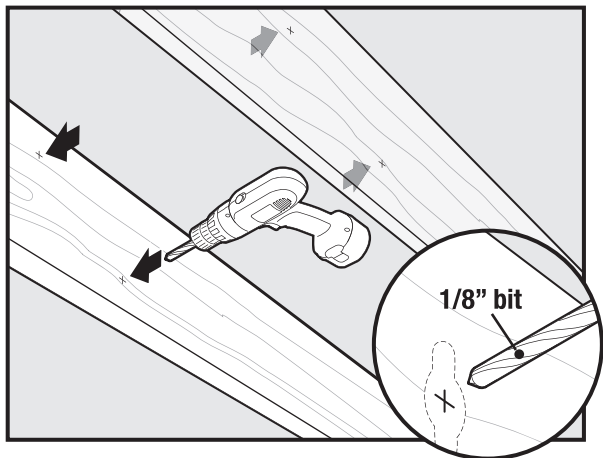


**Go to step
E1
on page 21
to attach grill.**

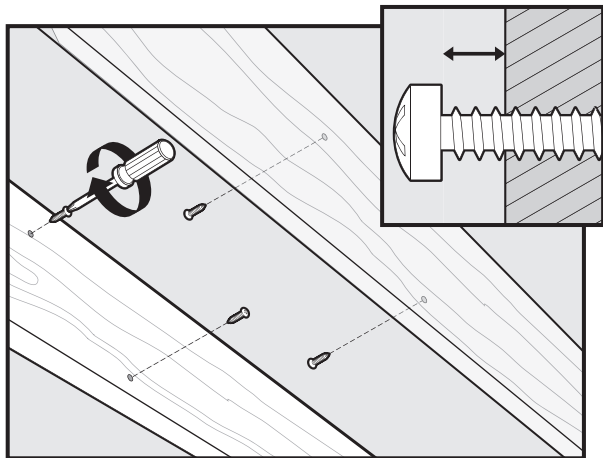


Installation (continued)

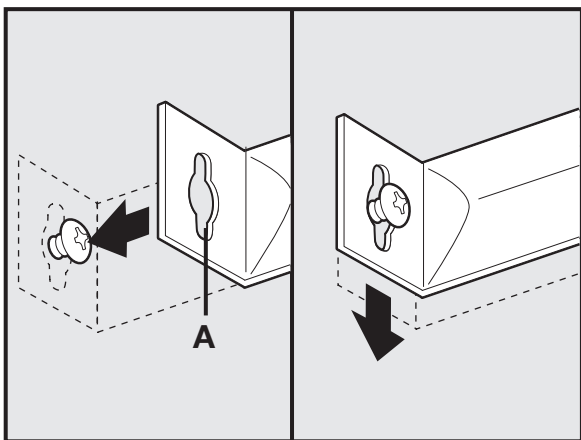
B14. Drill a hole in the center of each outline.



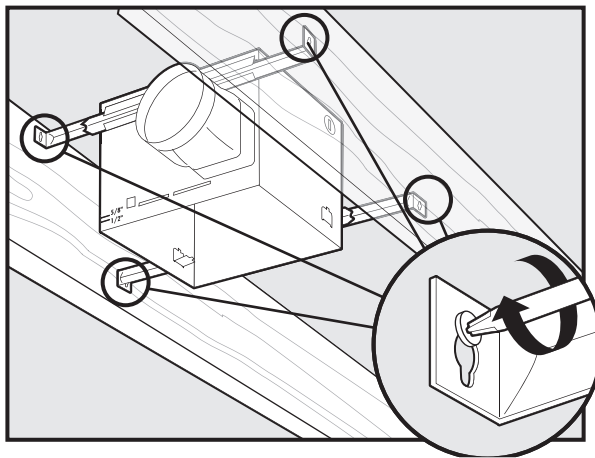
B15. Insert screws, leaving space between the screw head and the joist. Screws are not provided.



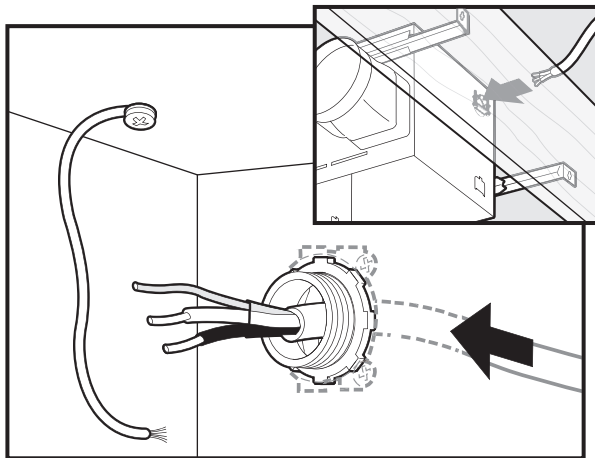
B16. Attach the rails (A) onto the screws.



B17. Tighten the screws.



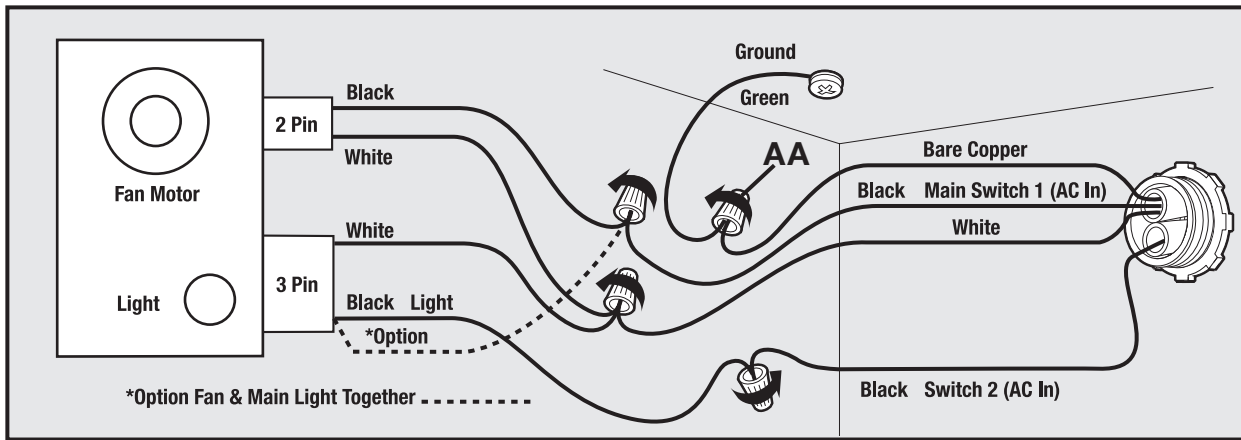
B18. Route wires through the strain relief.



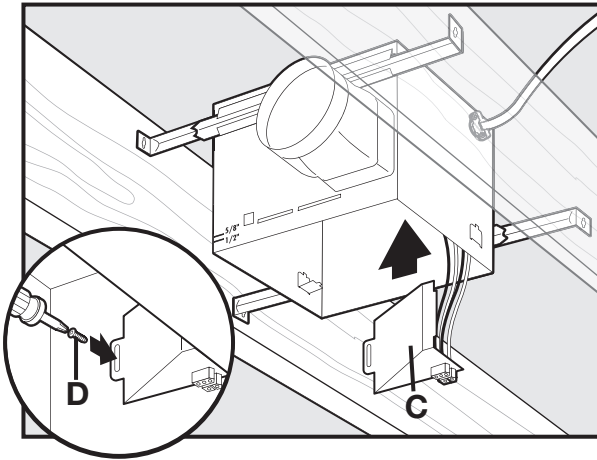


Installation (continued)

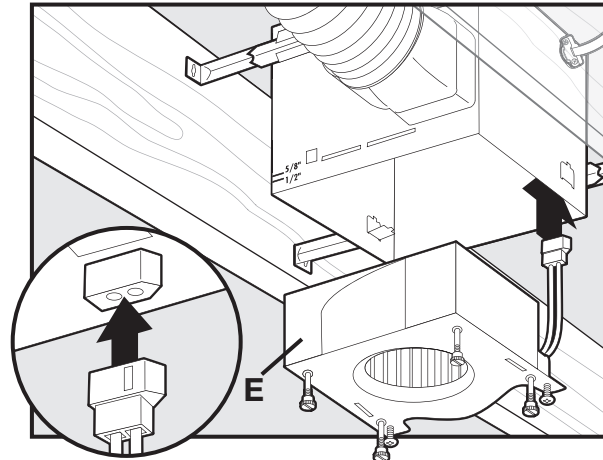
B19. Connect wires as shown using the wire nuts (AA).



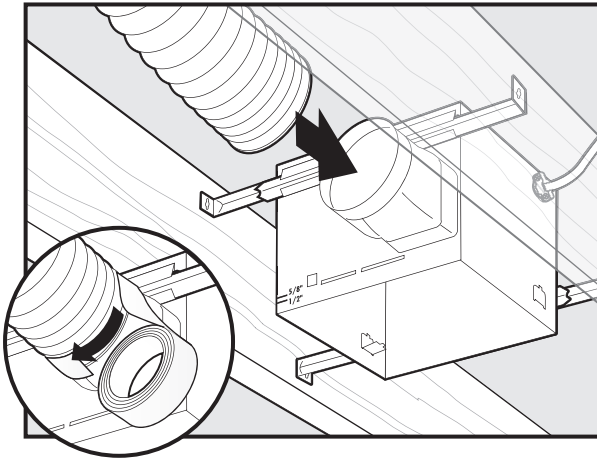
B20. Install the wiring cover (C) using the wiring cover screw (D). Make sure all wiring connections are inside the box or under the wiring cover (C).



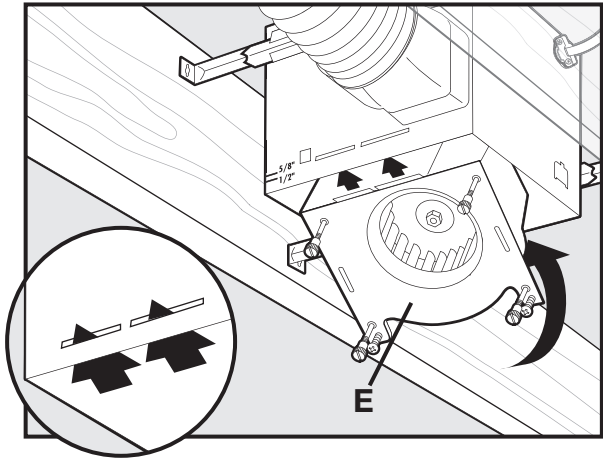
B22. Connect the wiring harness. DO NOT ALLOW THE MOTOR TO HANG FROM THE WIRING HARNESS.



B21. Connect 4" duct and vent to the outside. Tape joints. If ducting does not fit securely, an adapter may need to be purchased.



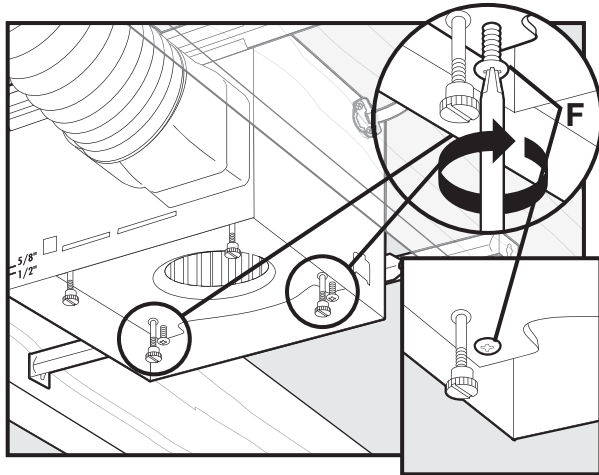
B23. Reinstall the motor (E) by inserting the tabs and pushing up into position. Make sure the wires are not pinched between the motor and the housing.





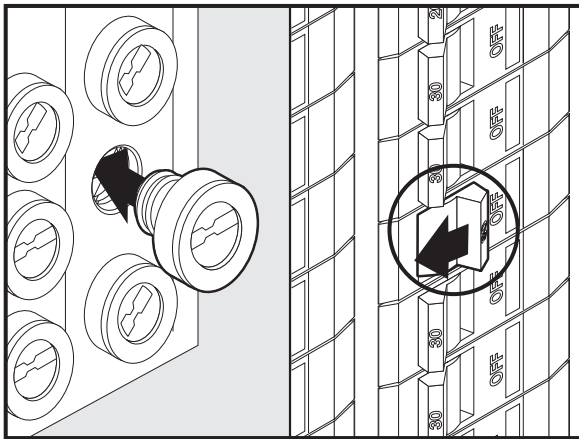
Installation (continued)

B24. Secure the motor by tightening the two screws (F).

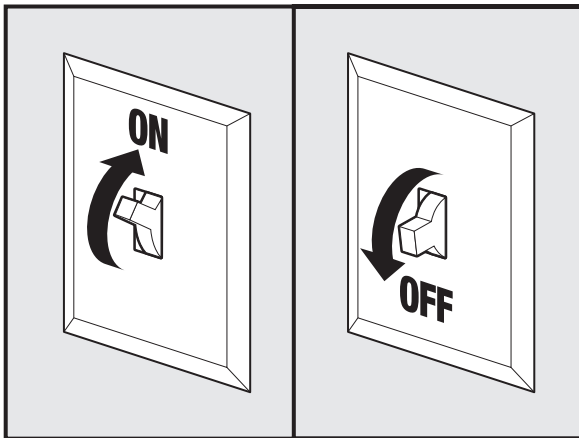


**Go to step
E1
on page 21
to attach grill.**

B25. Turn on the power source.



B26. Test the motor. If the motor does not run, check the plug connection.

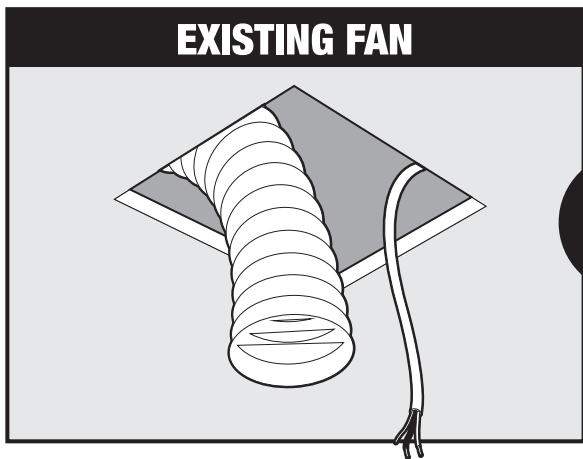




Installation (continued)

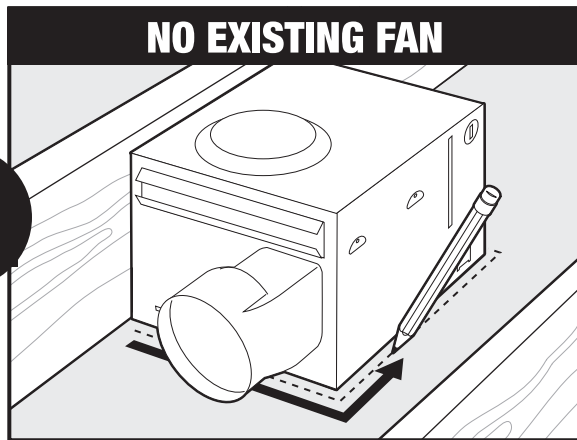
C. EXISTING CONSTRUCTION - ACCESSIBLE FROM ABOVE

C11. Remove an existing fan and check to make sure the opening is large enough to accommodate the new motor housing (8"x8 1/2").

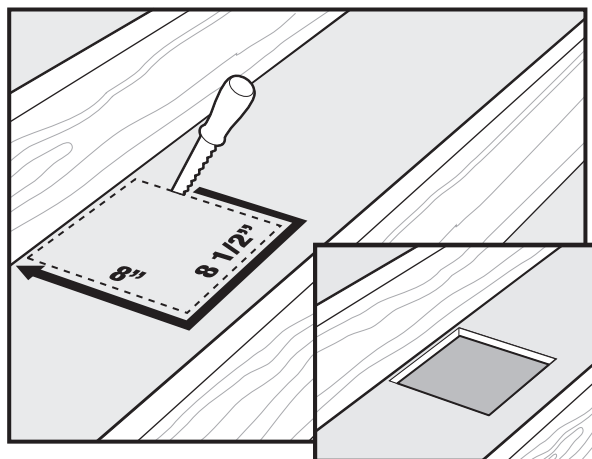


OR

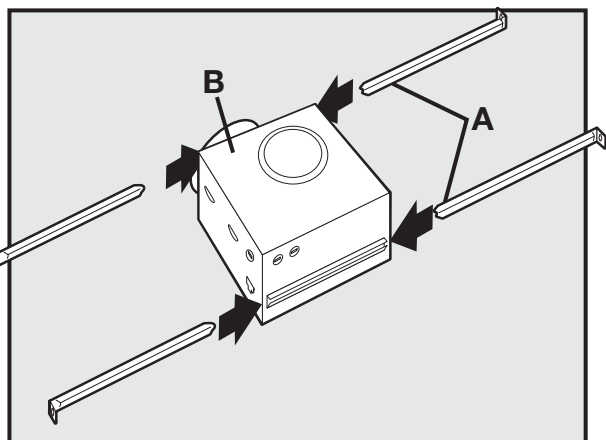
Use the motor housing as a template to mark position.



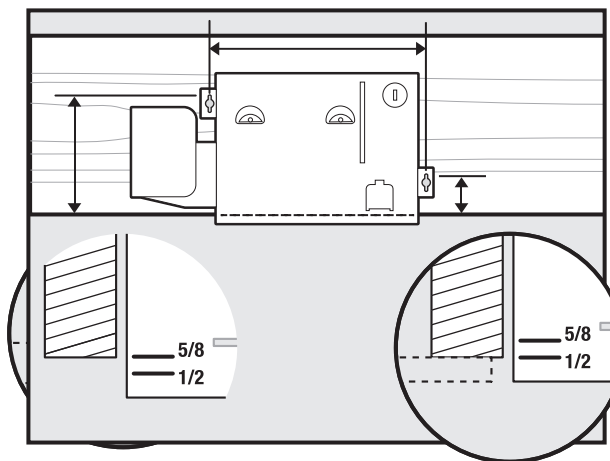
Cut out an opening for the housing.



C12. Slide the mounting rails (A) onto the brackets on the housing (B).



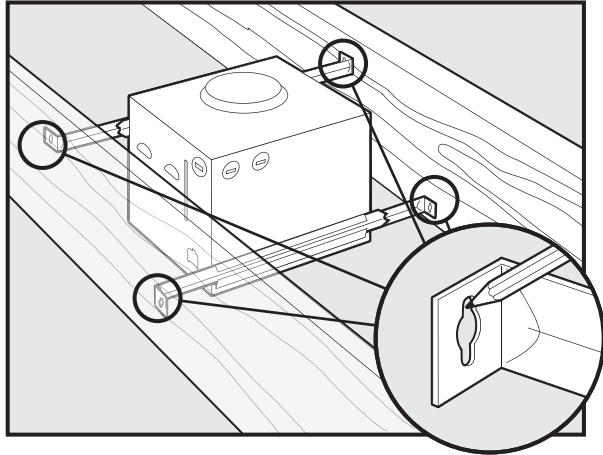
C13. Position the correct depth mark at the bottom edge of the joist based on the thickness of your sheetrock.



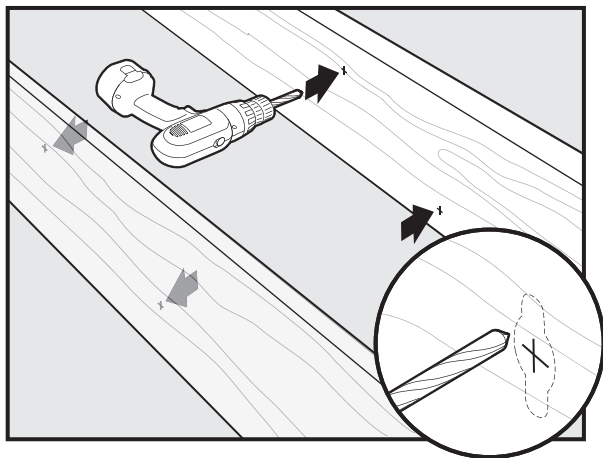


Installation (continued)

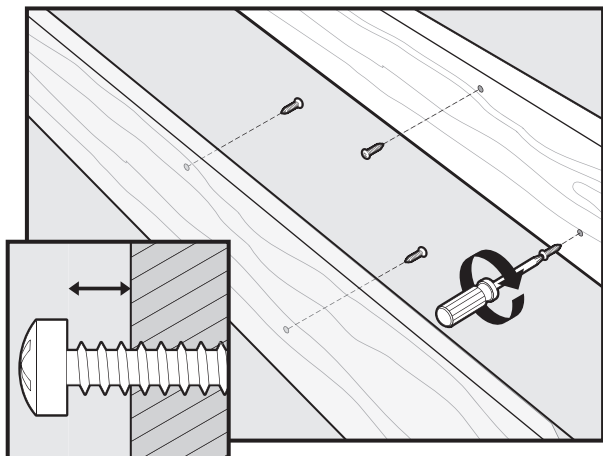
C14. Mark the position of the screws by using holes as a template.



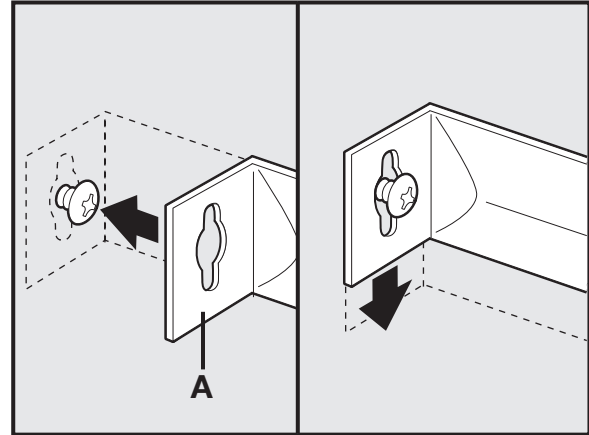
C15. Drill a hole in the center of each outline.



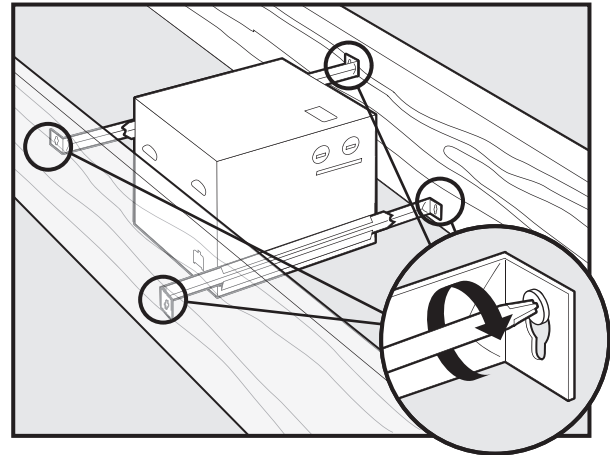
C16. Insert screws, leaving space between the screw head and joist. Screws are not provided.



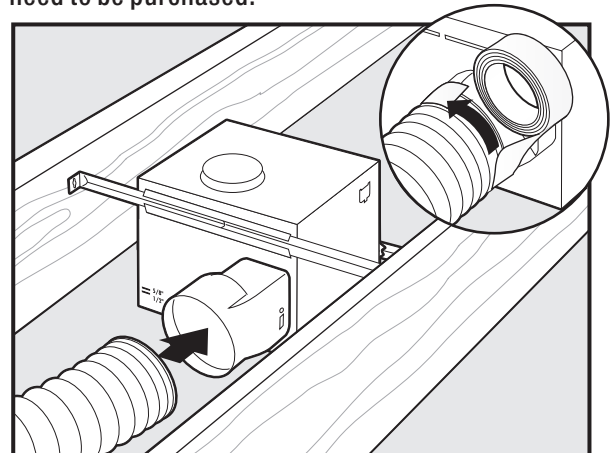
C17. Attach the rails (A) onto the screws.



C18. Tighten the screws.



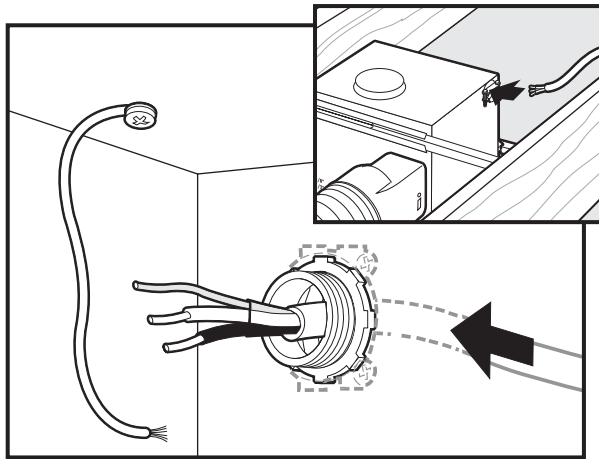
C19. Connect 4" duct and vent to the outside. Tape joints. If ducting does not fit securely, an adapter may need to be purchased.



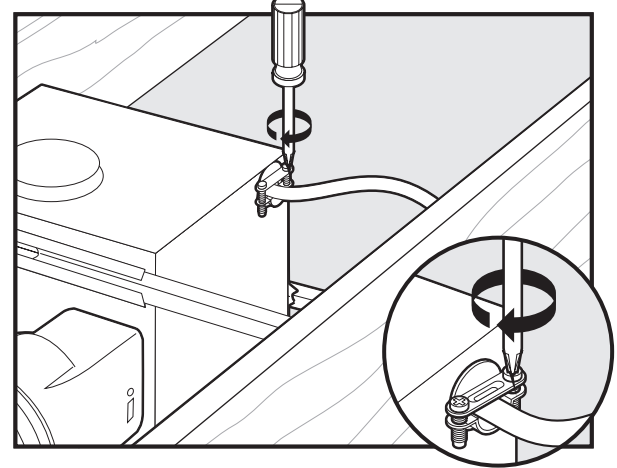


Installation (continued)

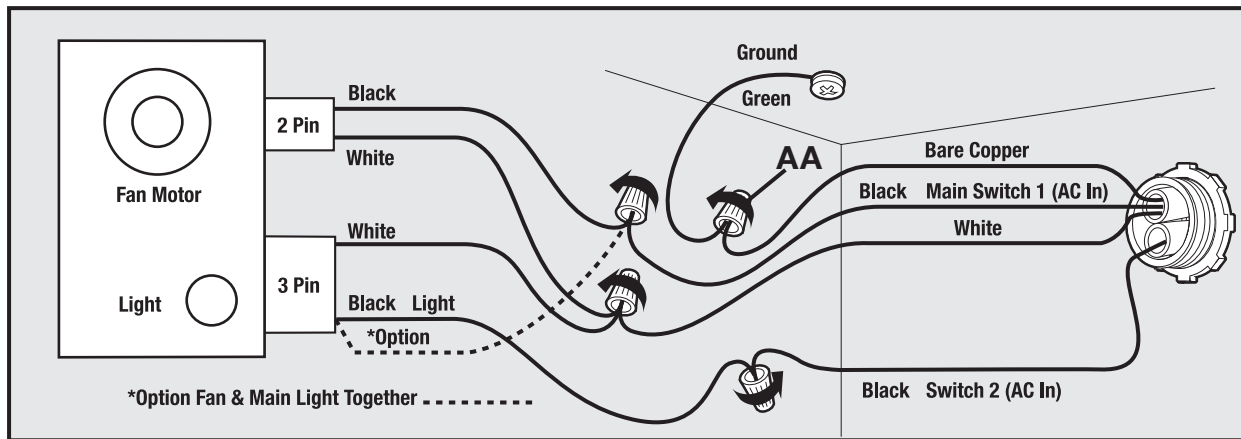
C20. Route wires through the strain relief.



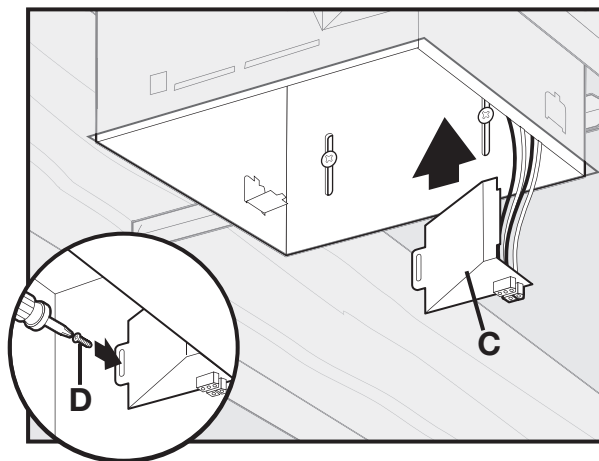
C21. Tighten the strain relief screws.



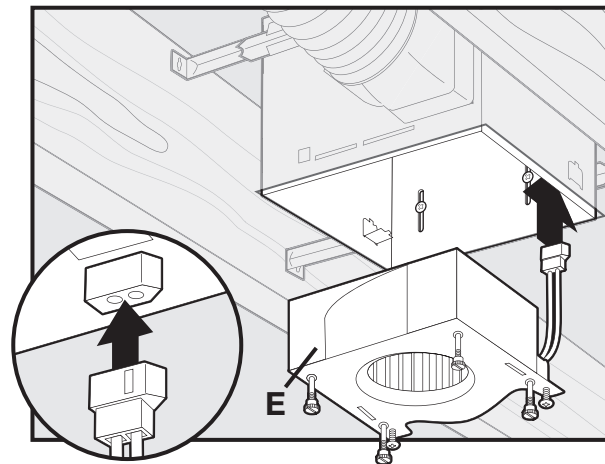
C22. Connect wires as shown using the wire nuts (AA).



C23. Install the wiring cover (C) using the wiring cover screw (D). Make sure all wiring connections are inside the box or under the wiring cover (C).



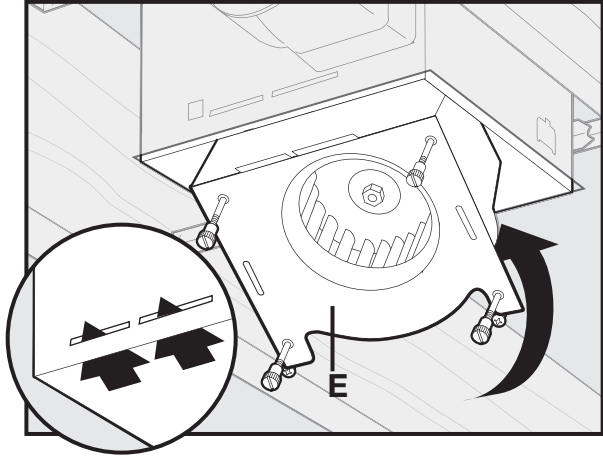
C24. Connect the wiring harness. DO NOT ALLOW THE MOTOR TO HANG FROM THE WIRING HARNESS.



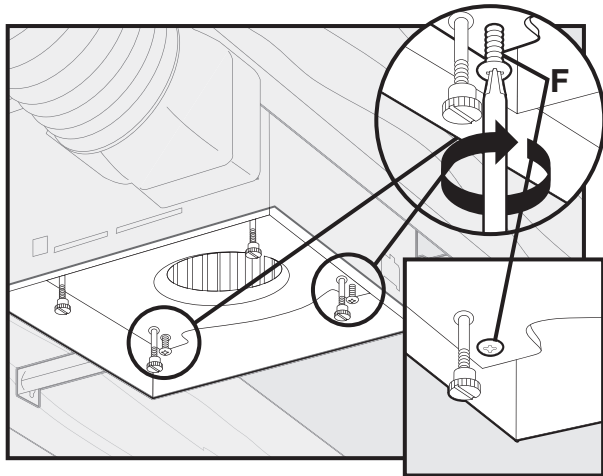


Installation (continued)

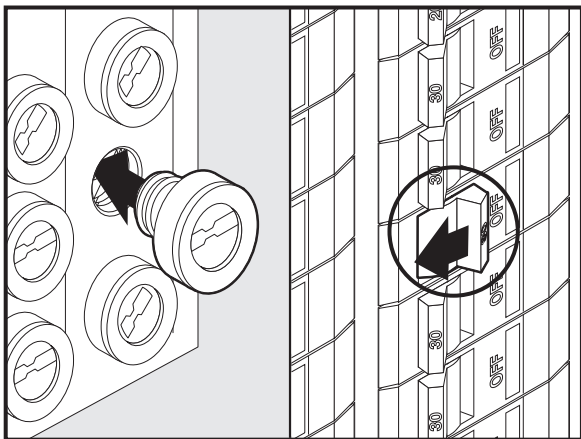
C25. Reinstall the motor by inserting the tabs and pushing up into position. Make sure the wires are not pinched between the motor and the housing.



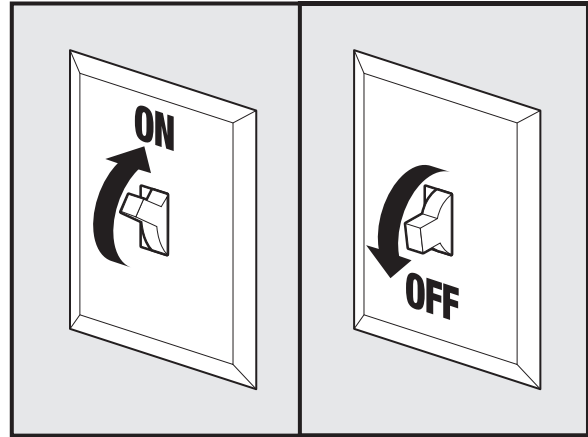
C26. Secure the motor by tightening the two screws (F).



C27. Turn on the power source.



C28. Test the motor. If the motor does not run, check the plug connection.



Go to step

E1

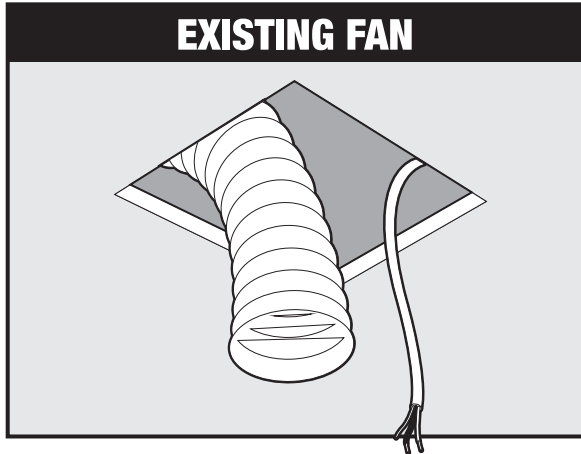
on page 21
to attach grill.



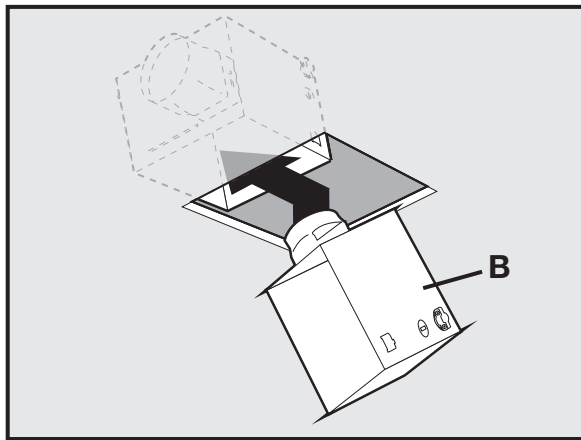
Installation (continued)

D. EXISTING CONSTRUCTION - ACCESSIBLE FROM BELOW

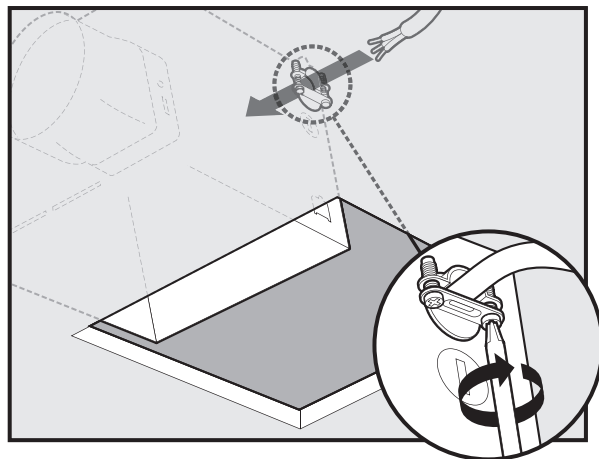
D11. Remove an existing fan and check to make sure the opening is large enough to accommodate the new motor housing (8"x8 1/2").



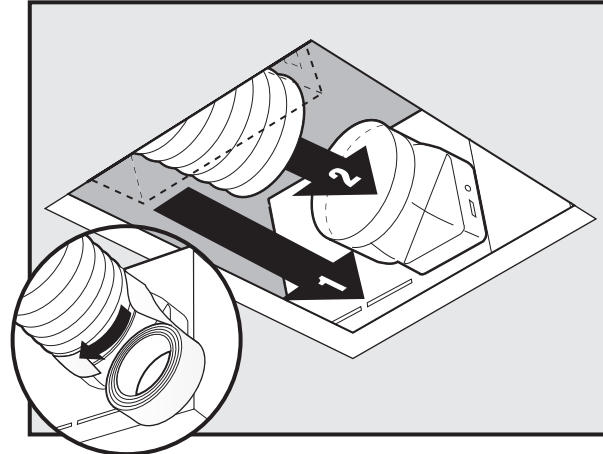
D12. Move the housing (B) into position above the ceiling.



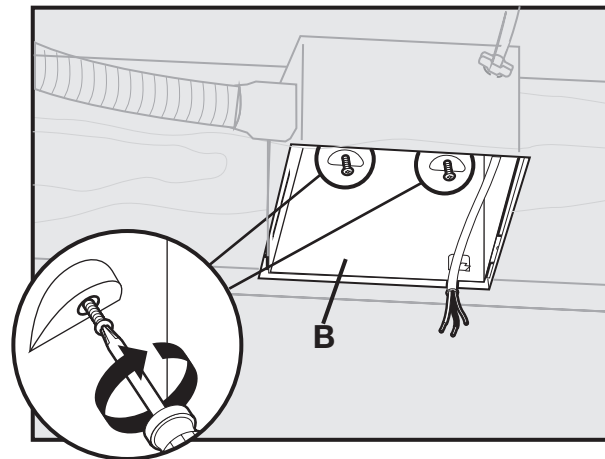
D13. Route wires through the strain relief.



D14. Attach existing ducting to duct connector. Tape joints. If ducting does not fit securely, an adapter may need to be purchased.



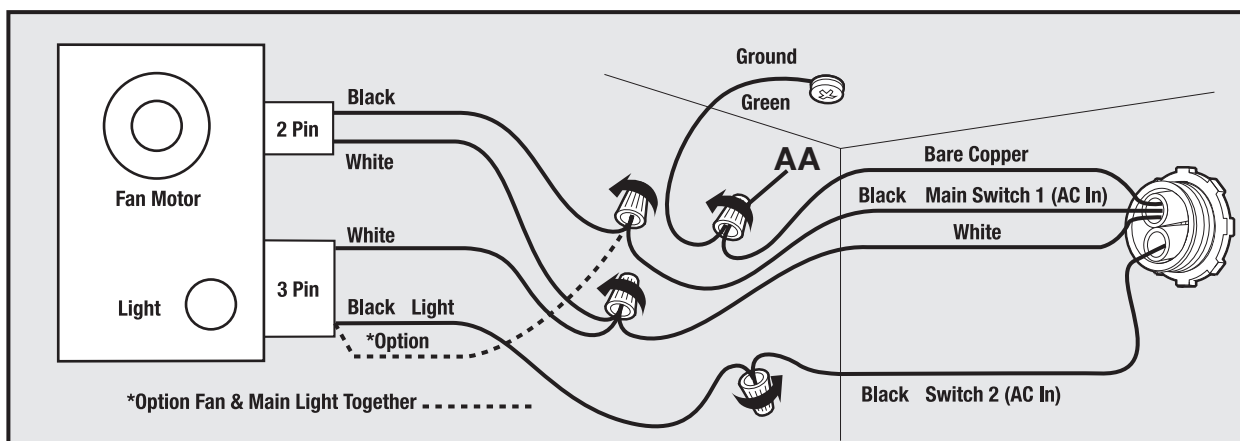
D15. Install the housing (B) flush with the sheetrock and secure by tightening the pre-loaded screws into the joist.



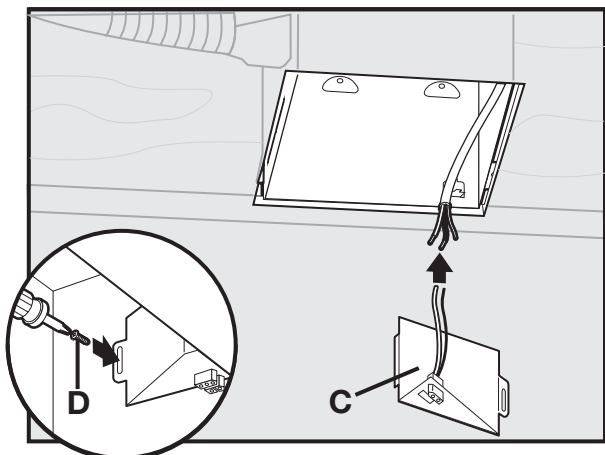


Installation (continued)

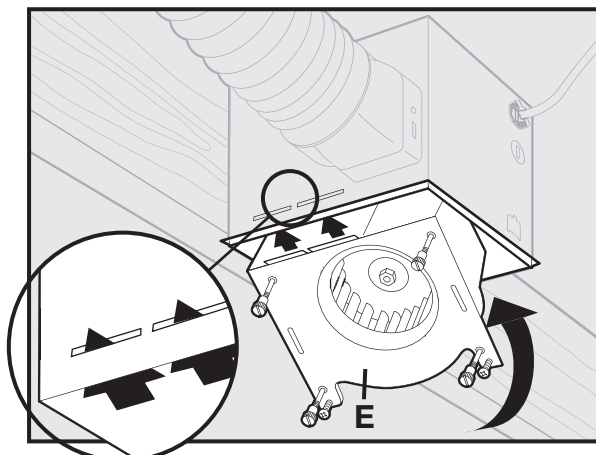
D16. Connect wires as shown using the wire nuts (AA).



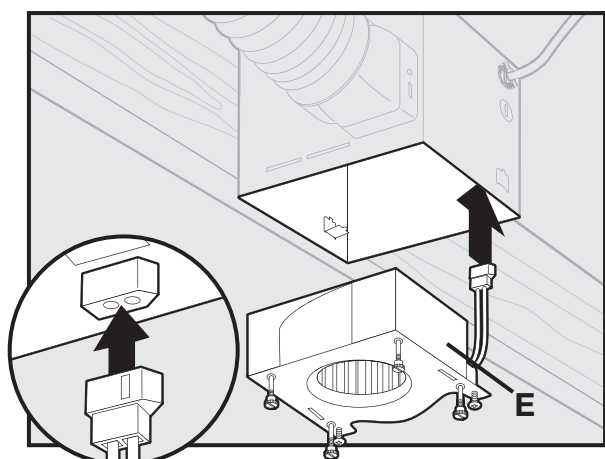
D17. Install the wiring cover (C) using the wiring cover screw (D). Make sure all wiring connections are inside the box or under the wiring cover (C).



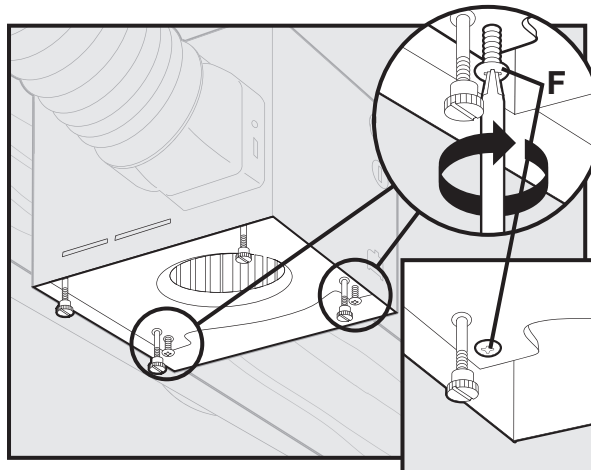
D19. Reinstall the motor (E) by inserting the tabs and pushing up into position. Make sure the wires are not pinched between the motor and the housing.



D18. Connect the wiring harness. DO NOT ALLOW THE MOTOR TO HANG FROM THE WIRING HARNESS.



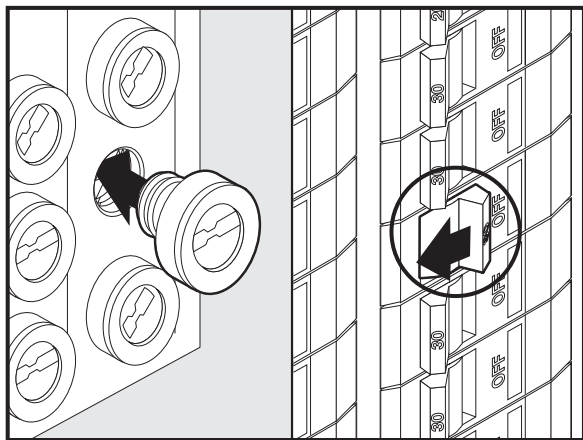
D20. Secure the motor by tightening the two screws (F).



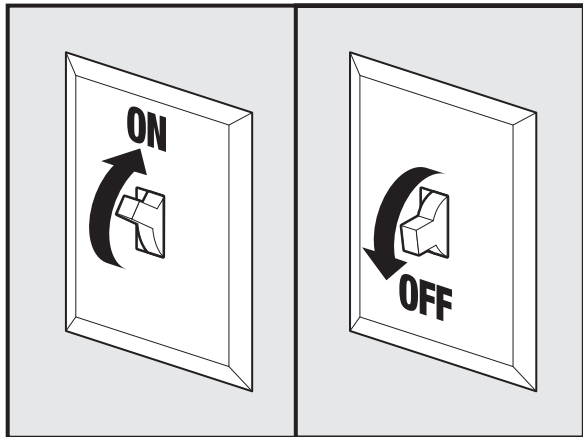


Installation (continued)

D21. Turn on the power source.

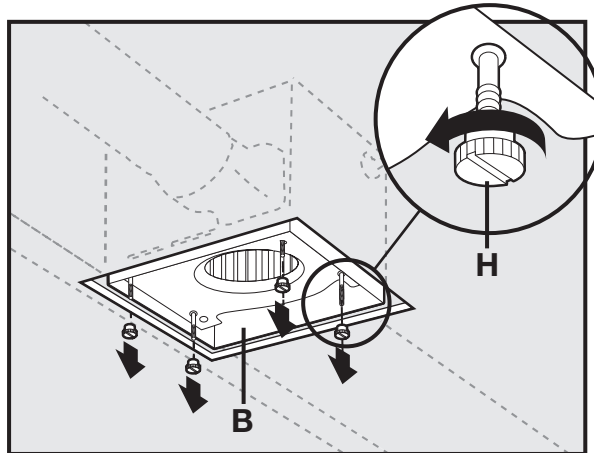


D22. Test the motor. If the motor does not run, check the plug connection.

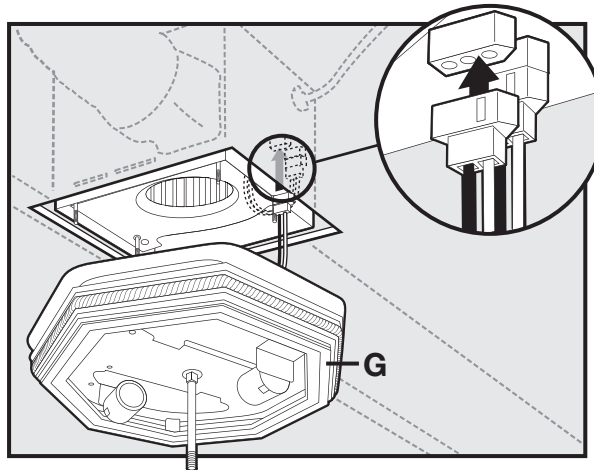


E. ATTACHING THE GRILL

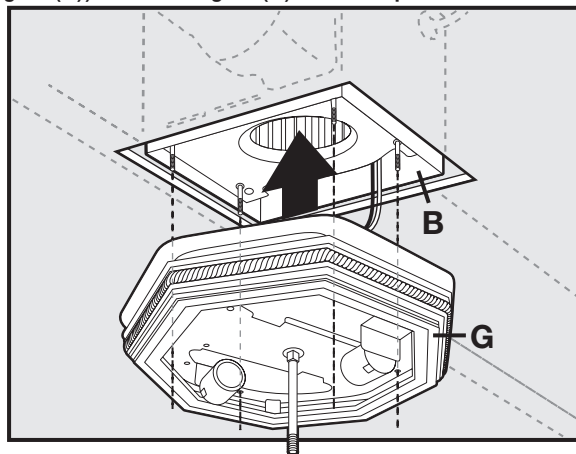
E1. Remove the grill nuts (H) from the housing (B).



E2. Connect the wiring harness. DO NOT ALLOW THE FIXTURE TO HANG FROM THE WIRING HARNESS.



E3. Align posts A, B, C, and D (stamped on the motor housing (B)) with holes A, B, C, and D (stamped on the grill (G)). Slide the grill (G) over the posts.



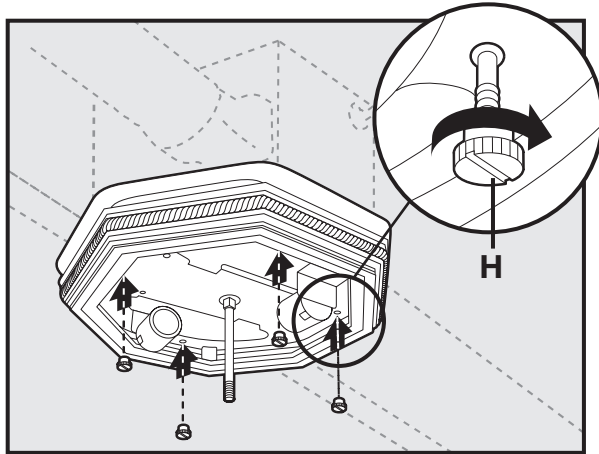


Installation (continued)

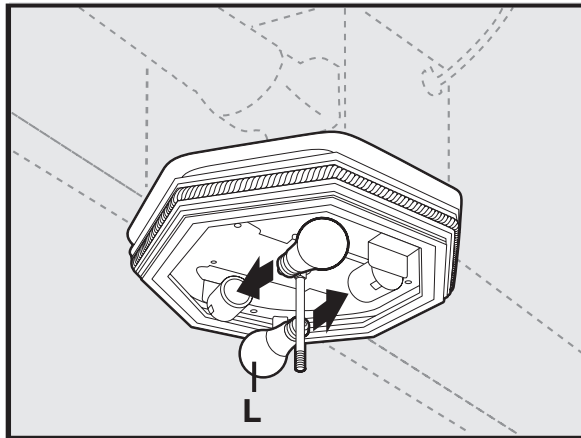
E4. Attach the grill nuts (H).



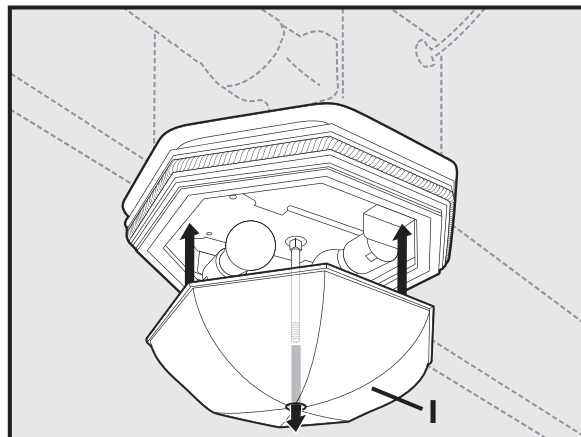
WARNING: To reduce the risk of electrical shock, all 4 grill nuts **MUST** be properly installed.



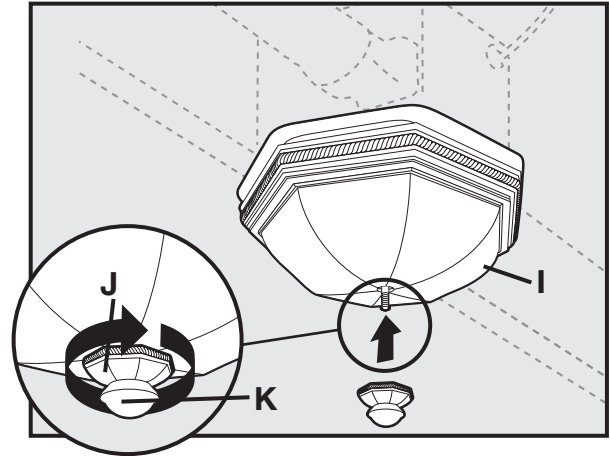
E5. Install the LED bulbs (L).



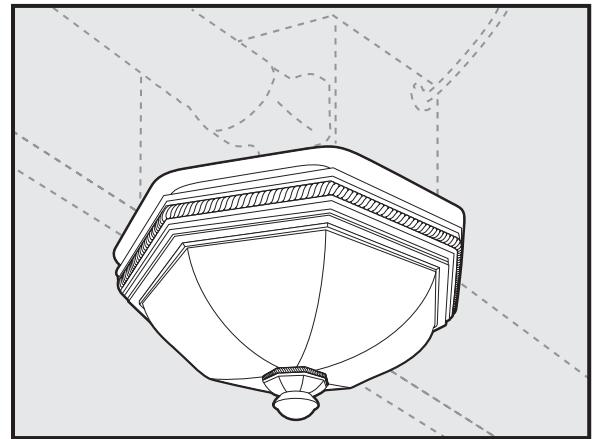
E6. Align the glass dome (I) and push up against the fixture.



E7. Secure the glass dome (I) into position against the fixture using the dome cover (J) and finial (K).



E8. The installation is complete.



Care and Cleaning



WARNING: Make sure the power is off at the electrical panel box before you attempt any repairs. Refer to the section Safety Information.

A clean fan provides better service. Disconnect the power supply and clean the fan as listed below:

- TO CLEAN GRILL:**
Use a mild detergent, such as dishwashing liquid, and a soft cloth. DO NOT use abrasive cloths, steel wool pads or scouring powders.
- TO CLEAN FAN ASSEMBLY:**
Unplug motor cord from receptacle. To remove motor plate, find the single tab on the motor plate (located next to the receptacle). Push up rear motor plate tab while pushing out on the side of the housing or insert a screwdriver into the slot in the housing (next to tab) and twist screwdriver. Gently vacuum fan, motor and interior of housing.
- METAL AND ELECTRICAL PARTS SHOULD NEVER BE IMMersed IN WATER.**
- MAINTENANCE:** The motor is permanently lubricated and never needs oiling. If the motor bearings are making excessive or unusual noises, replace the motor with the exact service motor. You should replace the impeller at the same time.

Troubleshooting



WARNING: Make sure the power is off at the electrical panel box before you attempt any repairs. Refer to the section Safety Information.

Problem	Solution
The fan does not come on.	<ul style="list-style-type: none"> <input type="checkbox"/> Hampton Bay ventilation fans are extremely quiet. To confirm that the fan is running, place your hand near the vents to feel the air movement. <input type="checkbox"/> Turn power on, replace fuse, or reset breaker. <input type="checkbox"/> Check all plug connections to be sure they are secure. <input type="checkbox"/> Check the wiring to make sure it matches the wiring diagram.
Light does not come on.	<ul style="list-style-type: none"> <input type="checkbox"/> Replace the light bulb with a new bulb. <input type="checkbox"/> Turn power on, replace fuse, or reset breaker. <input type="checkbox"/> Check all plug connections to be sure they are secure. <input type="checkbox"/> Check the wiring to make sure it matches the wiring diagram.
Fan is noisy.	<ul style="list-style-type: none"> <input type="checkbox"/> Check and tighten all fasteners. <input type="checkbox"/> Check the glass to make sure it is secure. <input type="checkbox"/> Check the flapper to make sure it moves freely.

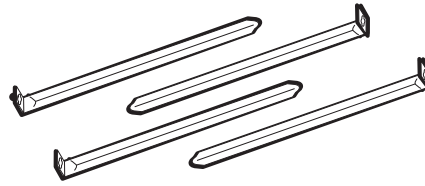
Specifications

Model No.	80213	Noise	2.0 Sone
Air direction	80 cfm	Power consumption (watts)	23 W
Voltage	120 V	Speed	1250 rpm
Hertz	60 Hz	Air deliver at 0.1" WG	80 cfm
Duct diameter	4 in. (10.16 cm)	Weight	11.9 lbs. (5.4 kg)

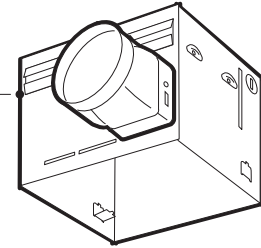
Service Parts

Part Number

95044-01-000



95029-01-000



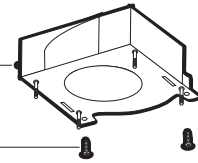
77481-01-000



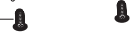
03242-01-133



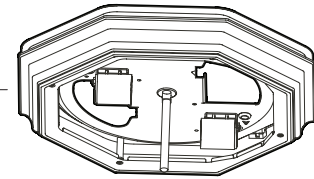
98037-05-000



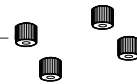
65222-01-133



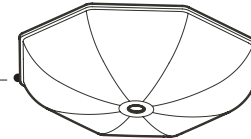
99751-01-000



75184-01-133



97266-02-000



G0166-01-214



67324-01-214



If you need parts or service assistance, please call 1-855-HD-HAMPTON or visit us at our web site at <http://www.HAMPTONBAY.com> .



Questions, problems, missing parts? Before returning to the store,
call Hampton Bay Customer Service
8 a.m. - 7 p.m., EST, Monday-Friday, 9 a.m. - 6 p.m., EST, Saturday

1-855-HD-HAMPTON

HAMPTONBAY.COM

Retain this manual for future use