

INSTALLATION INSTRUCTIONS

(Honeywell Pilot Assembly Replacement Kit)

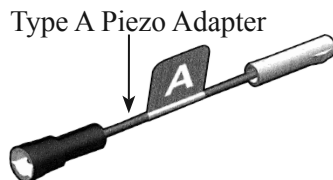
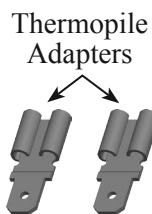
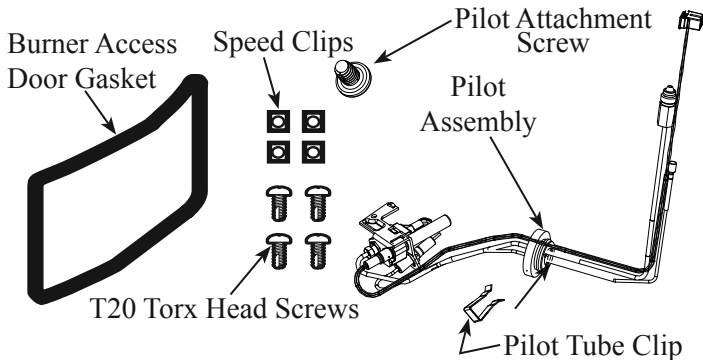
Read these instructions thoroughly and understand all steps and procedures before proceeding with the installation.

▲ CAUTION: The burner chamber is a sealed area. If the burner access door is removed, the burner access door gasket must be replaced. This should only be done by a qualified service technician.

INSPECT SHIPMENT:

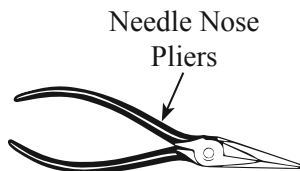
Inspect contents for possible missing or damaged components. This kit includes:

- Qty. 4 (four) - Tamper Resistant Screws
- Qty. 1 (one) - Pilot Assembly (Pilot Burner, Piezo Electrode, Thermopile, & Door Grommet)
- Qty. 1 (one) - Pilot Assembly Attachment Screw
- Qty. 4 (four) - Speed Clips
- Qty. 1 (one) - Burner Access Door Gasket
- Qty. 1 (one) - Installation Instructions
- Qty. 1 (one) - Pilot Tube Clip
- Qty. 1 (one) - Type A Piezo Adapter
(Honeywell Pilot Assembly to White-Rodgers Control)
- Qty. 2 (two) - Thermopile Adapters



TOOLS REQUIRED:

- 7/16" Open-end wrench
- 3/4" Open-end wrench
- #20 Torx head tool
- Phillip's head screwdriver
- Fine wire brush
- Soap and water solution
- Needle Nose Pliers



ADDITIONAL INSTRUCTIONS:

Refer to the Use and Care Manual supplied with the water heater for complete information on the installation, lighting instructions, operation and maintenance of the water heater.

1. **TURN OFF GAS TO THE APPLIANCE:** Rotate the combination gas control/thermostat knob counter-clockwise \cup to the "OFF" position.
2. **REMOVE JACKET DOOR:** See Figure 1 or 2.
3. **DISCONNECTION OF THERMOPILE, PILOT SUPPLY LINE, BURNER SUPPLY TUBE AND PIEZO WIRING FROM THE COMBINATION GAS CONTROL:** Locate the thermopile connector on the combination gas control. Carefully pull off the connector. Using a 7/16" open-end wrench, disconnect the pilot supply line from the combination gas control. Using a 3/4" open-end wrench, disconnect the burner supply tube from the combination gas control. Locate the piezo wire connector and disconnect it by pulling it apart. See Figures 1 or 2 for the type of control your water heater is equipped with..

NOTICE: The threads for connection of the burner supply tube nut on LP combination gas controls are left-handed.

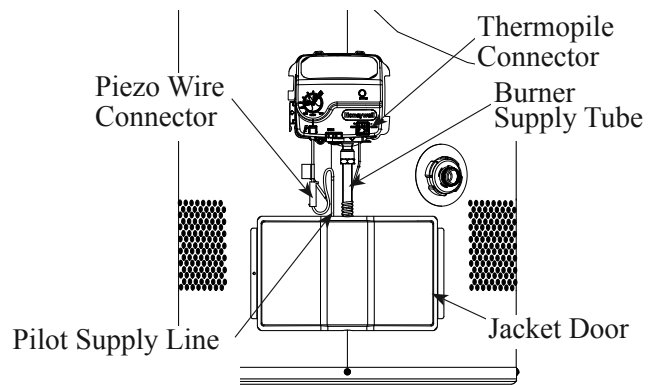


Figure 1
Honeywell Combination Gas Control

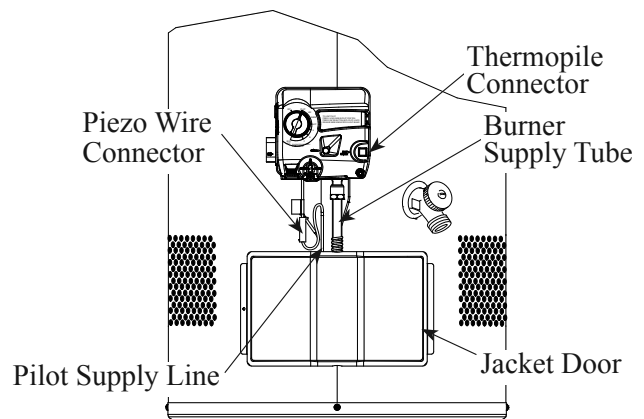


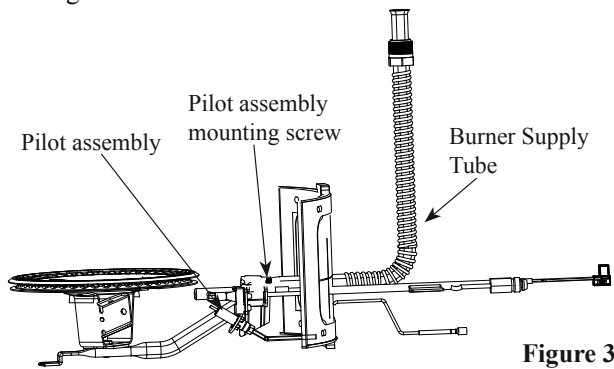
Figure 2
White-Rodgers Combination Gas Control

4. **TAMPER RESISTANT SCREWS (USED TO SECURE BURNER ACCESS DOOR) REMOVAL:** Using a #20 Torx head tool, remove the four tamper resistant screws at the corners of the burner access door assembly and discard them.
5. **BURNER ACCESS DOOR ASSEMBLY REMOVAL:** Grasp the burner supply tube and carefully remove the burner access door assembly with burner assembly from the water heater.
6. **PILOT ASSEMBLY REMOVAL:** Determine which pilot assembly location your water heater has and follow the appropriate removal instructions as follows:

Configuration 1

(Pilot assembly mounted to the burner supply tube)

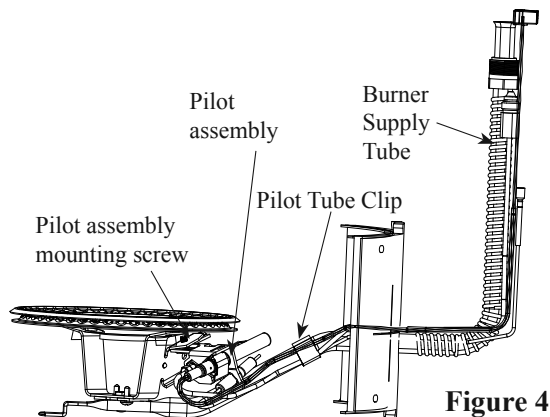
Using a Phillip's Head Screwdriver, remove the screw which attaches the pilot assembly to the burner supply tube and discard it. Pull the orange grommet with the pilot assembly out of the mounting hole, which is located on the burner access door. See Figure 3.



Configuration #2

(Pilot assembly mounted to burner)

Remove the pilot tube clip from the burner supply tube and discard it. Using a Phillip's Head Screwdriver, remove the screw which attaches the pilot assembly to the burner and discard it. Pull the orange grommet with the pilot assembly out of the mounting hole, which is located on the burner access door. See Figure 4.



7. **NEW PILOT ASSEMBLY INSTALLATION:** Insert the new pilot assembly by placing the connection ends through the hole (combustion chamber side) on the burner access door. See Figure 5. Push the orange grommet into the hole of the door until it is properly seated. See Figures 5 & 6. **IMPORTANT:** Take care not to damage the orange grommet when you install it. Attach the new pilot assembly to the bracket on the burner and secure it with the new pilot assembly attachment screw (supplied). All replacement pilot assemblies attach directly to the burner, as shown in Figure 7. **DO NOT attach replacement pilot assembly to burner supply tube if applicable.**

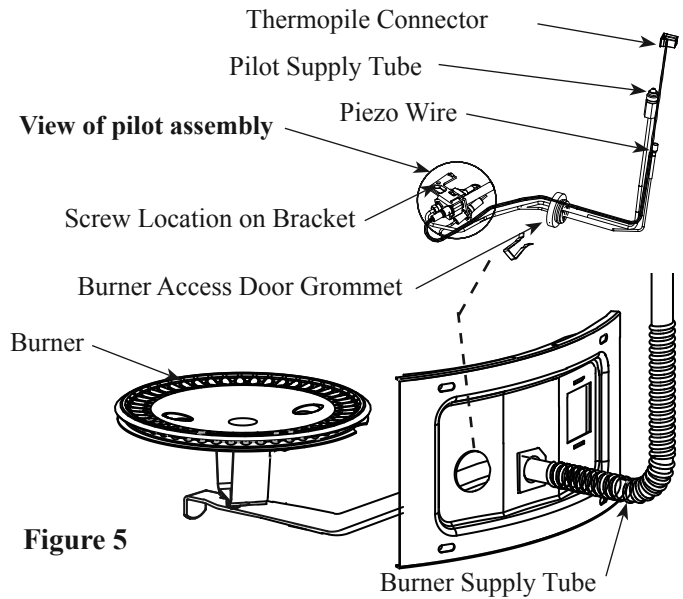


Figure 5

Push the grommet into the burner access door from this side.

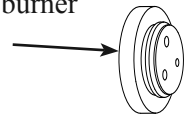


Figure 6

Route the pilot supply line and wiring through the pilot tube clip then attach the clip to the burner supply tube. While holding the orange grommet in place, snug up the thermopile wiring, pilot supply line and piezo ignitor wiring so there is little to no slack between the main burner and the burner. Ensure that the fiberglass sleeving between the pilot and the grommet is covering the lengths of the piezo electrode and thermopile wiring.

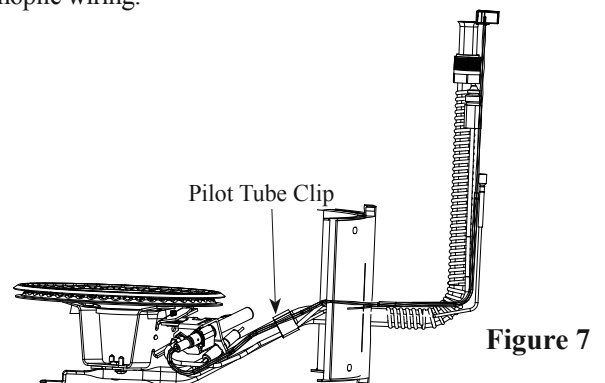


Figure 7

8. **BURNER ACCESS DOOR GASKET REMOVAL AND INSTALLATION:** Remove the old burner access door gasket from the combustion chamber and burner access door. Clean the surfaces to which the gasket was attached. If the old gasket was attached with an adhesive, a fine wire brush and soap and water solution may be used to remove the old gasket material and adhesive.

⚠ WARNING! DO NOT use any flammable liquids such as gasoline, paint thinners, or solvents to remove the old gasket material and adhesive (if applicable). Place the new gasket on the clean and dry side (combustion chamber side) of the burner access door. If the gasket is equipped with peel and stick adhesive, peel off the pull away backing from the new burner access door gasket and install the gasket on the clean and dry side (combustion chamber side) of the burner access door. Ensure that the gasket used for the tamper resistant screws align with those in the burner access door.

9. **INSTALLING THE BURNER ACCESS DOOR**

ASSEMBLY: Remove the 4 (four) speed clips that are located at the inner door opening attached to the combustion chamber and discard them. Install the 4 (four) new speed clips (supplied). Re-install the burner access door assembly to the water heater. Ensure that the burner access door gasket is seated properly.

10. **CONNECTION OF BURNER SUPPLY TUBE AND PILOT SUPPLY LINE:**

Install the inverted flared end of the burner supply tube into the combination gas control. Hand thread the hex nut fitting on the burner supply tube into the control. Ensure that the fitting is properly aligned with the control, otherwise cross threading of the connection will occur. Tighten the fitting using a 3/4" open-end wrench. See Figures 1 or 2 for the type of control your water heater is equipped with.

NOTICE: The threads for connection of the burner supply tube nut on LP combination gas controls are left-handed.

Install the end of the pilot supply line into the combination gas control. Hand thread the hex nut fitting on the pilot supply line into the control. Ensure that the fitting is properly aligned with the control, otherwise cross threading of the connection will occur. Tighten the fitting using a 7/16" open-end wrench. See Figures 1 or 2 for the type of control your water heater is equipped with.

11. **CONNECTION OF THERMOPILE AND PIEZO WIRING:**

For water heaters equipped with Honeywell Combination Gas Control

Locate the thermopile connector on the pilot assembly. Using

needle nose pliers push the connector onto the Honeywell Combination Gas Control and ensure that the connector is fully engaged. Locate the piezo wire connector and connect it to the piezo lead coming from the gas control. See Figure 1.

For water heaters equipped with White-Rodgers Combination Gas Control

Locate the two thermopile adapters from the kit and using needle nose pliers insert the female ends into the thermopile connection of the White-Rodgers Combination Gas Control. **IMPORTANT:** For proper installation of the thermopile connector, the adapters must be oriented as show in Figure 8. Push the thermopile connector of the pilot assembly onto the thermopile adapters and ensure that the connections are correct and the connectors are fully engaged. Locate the Type A Piezo Adapter from the kit and connect it to the piezo lead coming from the gas control and the piezo wire coming from the pilot assembly.

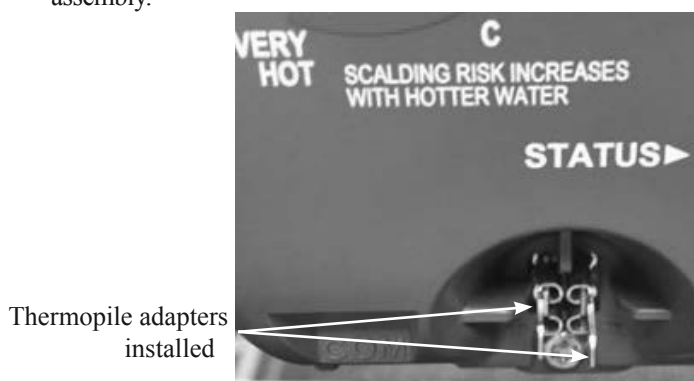


Figure 8

⚠ WARNING: Failure to properly install the burner access door assembly could result in a potentially hazardous situation resulting in death or serious injury and/or property damage.

12. **TURN ON GAS TO THE APPLIANCE:** Turn on the gas supply at the main gas supply line. Follow the “FOR YOUR SAFETY READ BEFORE OPERATING” and “LIGHTING INSTRUCTIONS” label located above the water heater's combination gas control.

13. **CHECKING FOR GAS LEAKS:** With the pilot and main burner in operation, use a soap and water solution to check for gas leaks at the burner supply and pilot supply line connections.

NOTICE: If the soap and water solution bubbles up, there is a leak and the fittings must be tightened and checked again.

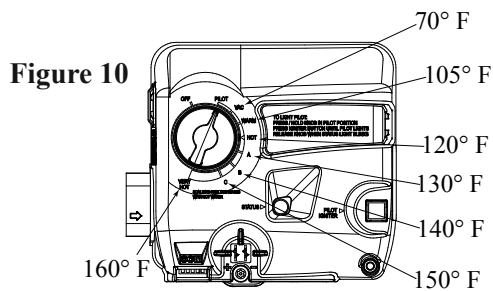
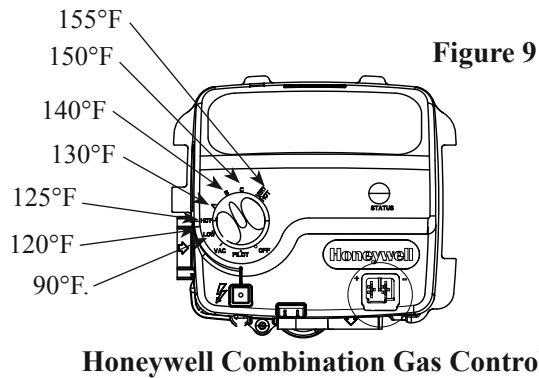
IMPORTANT: If the leak(s) cannot be eliminated, turn off the gas supply to the water heater and contact the water heater manufacturer at the phone number indicated in the water heater's Use & Care Manual.

14. TEMPERATURE SETTING:

▲ DANGER: Hotter water increases the potential for Hot Water SCALDS.

Turn the temperature dial to the desired setting. The recommended starting point temperature is 120°F (49°C).

The illustrations in Figures 9 and 10 details the approximate water temperature for each mark on the gas control.



15. REPLACE JACKET DOOR: Replace the jacket door by inserting one end of the door behind the jacket edge then insert the opposite end of the door behind the jacket edge and release the door.