

POWERCLEATS FLOORING NAILS

Powercleats nails are superior quality nails designed for professional flooring installations.

At the heart of any nailing system is the nail. And, while many nails may look similar, there are differences in quality that can mean the difference between a successful installation or one plagued with problems.

Powercleats nails are designed for use with Powernailer nailers. They are superior-quality nails and are FHA and VA approved. They meet the requirements of the MFMA (Maple Flooring Manufacturers Association), NOFMA (National Oak Flooring Manufacturers Association) and NWFMA (National Wood Flooring Association).

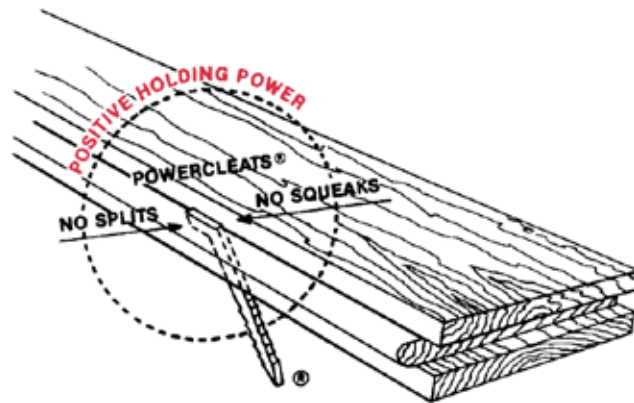
Powercleats nails are made from high-quality steel so they do not bend while being driven into hard flooring materials. They are made with a well-formed set of barbs along each nail, providing the ultimate holding power. The design aids in driving them into hard flooring materials, which helps to eliminate split tongues in floorboards.

When used in conjunction with the Powernail® line of nailers, Powercleats® nails ensure trouble-free operation and optimum construction results.

Powercleats nails are available in all sizes to fit all flooring applications and come in conveniently-sized cartons.



The well-formed barbs along each nail provide the ultimate in holding power. The unique “L” design helps to eliminate split tongues in floor boards when driving into hard flooring materials.



POWERNAIL® USA
THE LEADER IN FASTENING TECHNOLOGY 