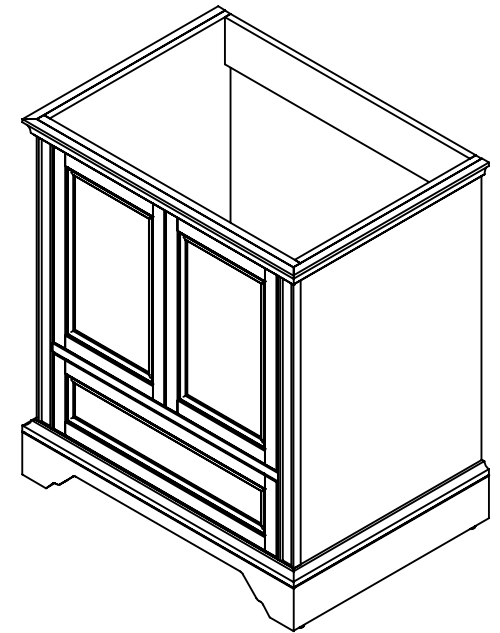
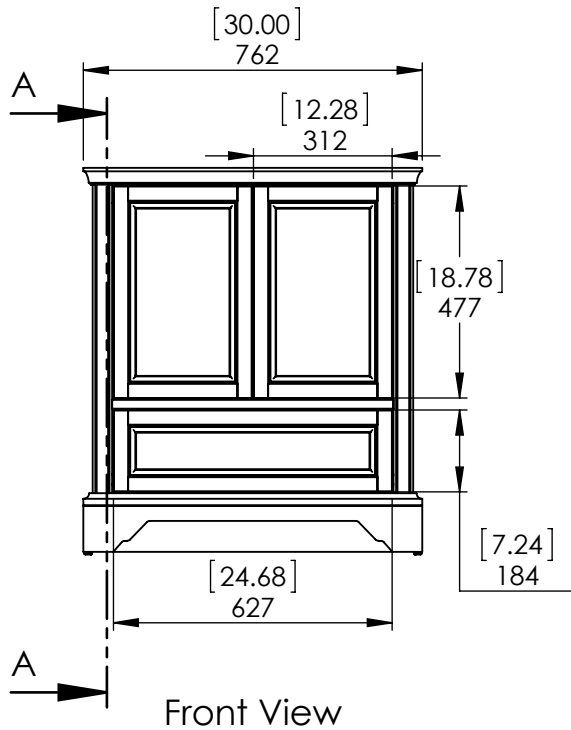


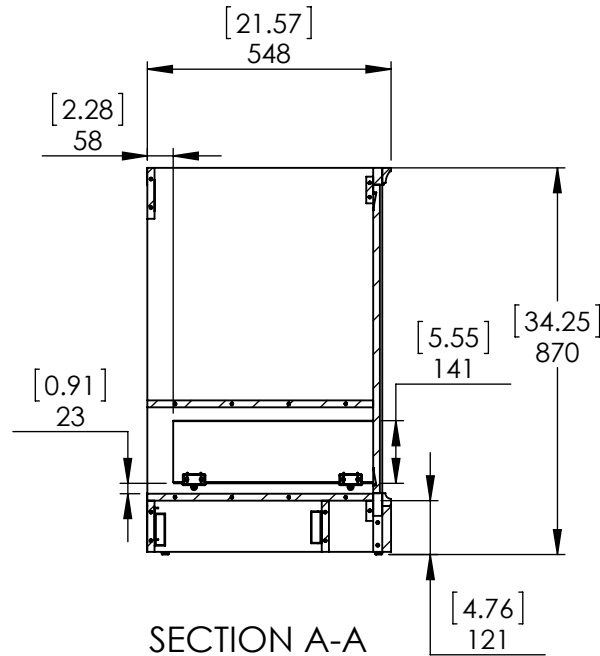
Top View



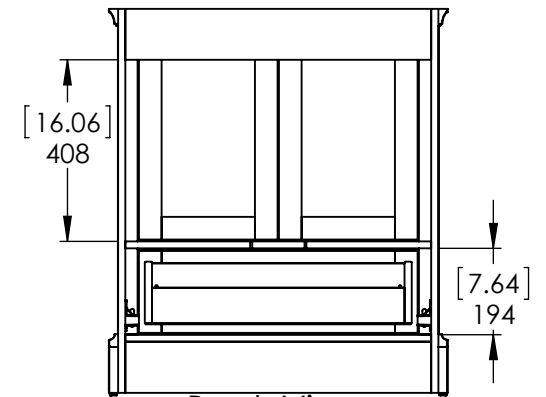
Isometric View



Front View



SECTION A-A
SCALE 1 : 17



Back View

ITEM:	SF30-WH SF30-CH SF30-ST SF30-CR	REV	A
-------	------------------------------------	-----	----------

NAME:
**Straffield 30in-White/Sterling/
 Chocolate/Cream**

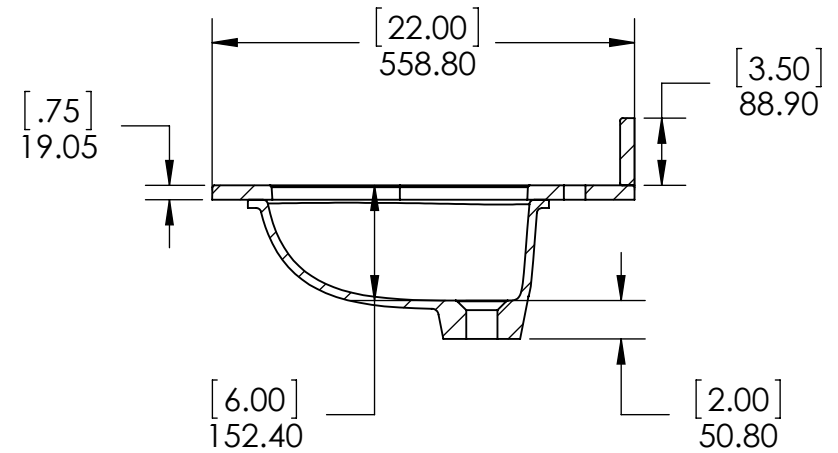
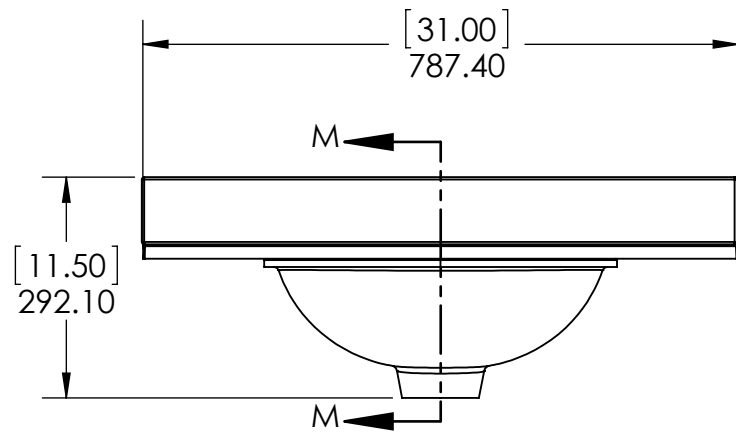
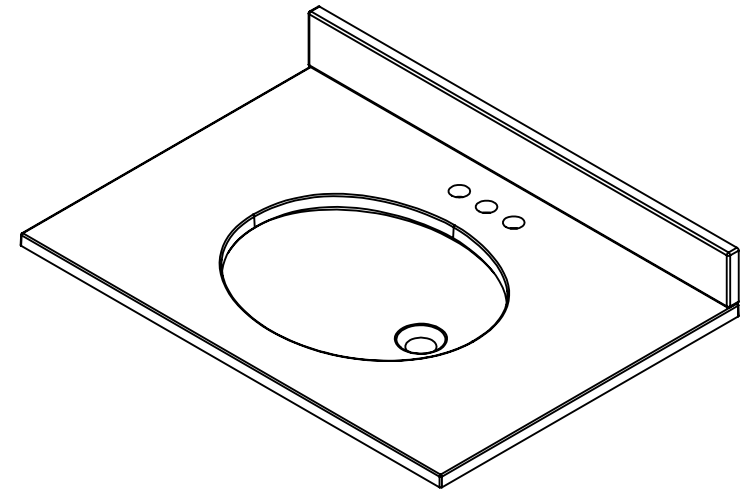
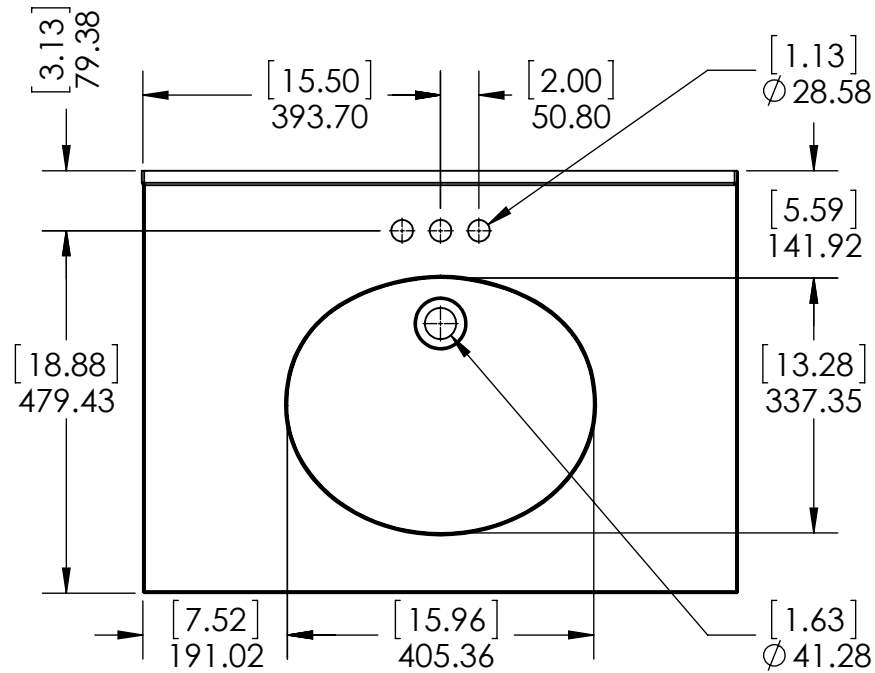


DRW:	ARB	03/28/18
REV:	ING	03/28/18
APP:	R&D	03/28/18
SCALE:	1:15	MODEL:

MATERIAL:
**German Beech 4/4
 Laminated Particle Board**

Straffield 30in

Rev #	Approved by	Change
0	R. Rubio	Released
1	O. Razo	New color and profile



PROPRIETARY AND CONFIDENTIAL
 THE INFORMATION CONTAINED IN THIS DRAWING IS THE SOLE PROPERTY OF WOODCRAFTERS. ANY REPRODUCTION IN PART OR AS A WHOLE WITHOUT THE WRITTEN PERMISSION OF WOODCRAFTERS IS PROHIBITED.

UNLESS OTHERWISE SPECIFIED
 DIMENSIONS ARE IN INCHES AND [MM]
 TOLERANCES ARE
 +0.125 [3.175] -0.125 [-3.175]
 SCALE:1:10

	NAME	DATE
DRAWN	R. Rubio	08/22/16
CHECKED	R. Rubio	08/22/16
ENG APPR.	R. Rubio	08/22/16
MFG APPR.	C. Leal	08/22/16

Wood Crafters
 Vtop Stone Effect, Oval 31x22

SIZE DWG. NO. **A** SHEET 1 OF 2
 REV. **1**

ID	Description	Technology	Status
SE31O-PR	Vtop Oval 31x22 SE Pulsar 4in	Stone Effect	Approved for production
SE31O-MG	Vtop Oval 31x22 SE Mineral Gray 4in	Stone Effect	Approved for production
SE31O-WM	Vtop Oval 31x22 SE Winter Mist 4in	Stone Effect	Approved for production
SE31O-CO	Vtop Oval 31x22 SE Cold Fusion 4in	Stone Effect	Approved for production
SE31O-DN	Vtop Oval 31x22 SE Dune 4in	Stone Effect	Approved for production
SE31O-RU	Vtop Oval 31x22 SE Rustic Gold 4in	Stone Effect	Approved for production

Rev #	Approved by	Change
0	R. Rubio	Released
1	O. Razo	New color and profile

PROPRIETARY AND CONFIDENTIAL
 THE INFORMATION CONTAINED IN THIS DRAWING IS THE SOLE PROPERTY OF WOODCRAFTERS. ANY REPRODUCTION IN PART OR AS A WHOLE WITHOUT THE WRITTEN PERMISSION OF WOODCRAFTERS IS PROHIBITED.

UNLESS OTHERWISE SPECIFIED
 DIMENSIONS ARE IN INCHES AND [MM]
 TOLERANCES ARE
 + 0.125 [3.175] - 0.125 [-3.175]
 SCALE:1:10

	NAME	DATE
DRAWN	R. Rubio	08/22/16
CHECKED	R. Rubio	08/22/16
ENG APPR.	R. Rubio	08/22/16
MFG APPR.	C. Leal	08/22/16



SIZE DWG. NO. SHEET 2 OF 2
A Vtop Stone Effect, Oval 31x22 REV: **1**