



Lavatory Faucet SLS-3512-1.5, SLS-3510-1.5

Installation Brief



Model SLS-3512-1.5

Model Numbers

SLS-3512-1.5 Lavatory faucet with lift rod and pop-up drain, p/n LN-01295-1.5

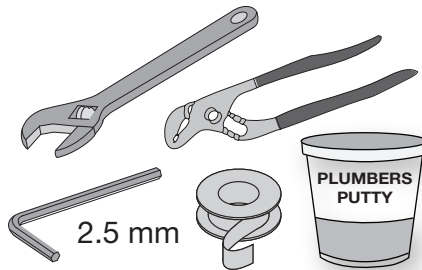
SLS-3510-1.5 Lavatory faucet only, p/n LN-01296-1.5

Decorative Finishes

Append finish suffix code to replacement part numbers when applicable

- Polished chrome (standard)

Tools & Materials



Need Help?

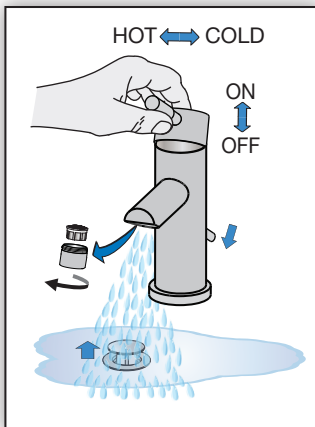
Contact Symmons customer service at P: (800) 796-6667, F: (800) 961-9621
Email: customerservice@symmons.com
Monday - Friday 7:30 am - 7:00 pm EST

Please check Symmons website for technical help, the latest product information and warranty policy.
www.symmons.com/service

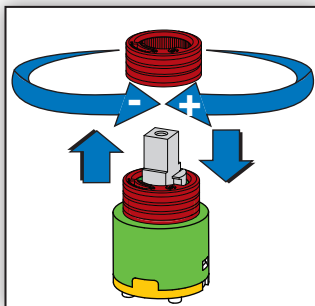
For California Residents

WARNING: This product contains chemicals known to the State of California to cause cancer, birth defects, or other reproductive harm.

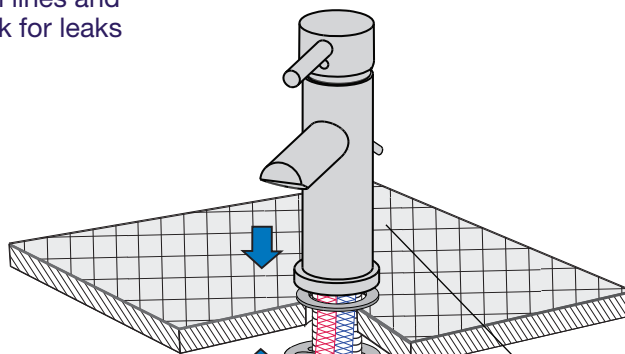
Quick Install Guide Dia Lavatory Faucet, SLS-3512-1.5, SLS-3510-1.5



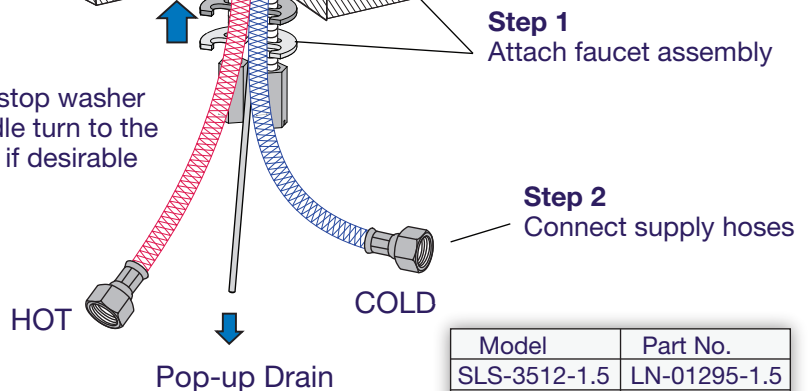
Step 3
Flush lines and check for leaks



Optional
Adjust limit stop washer to limit handle turn to the hot position if desirable



Step 1
Attach faucet assembly



Step 2
Connect supply hoses

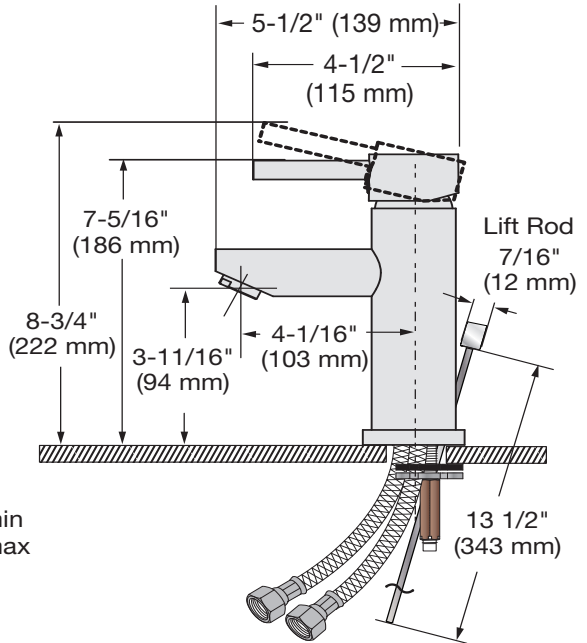
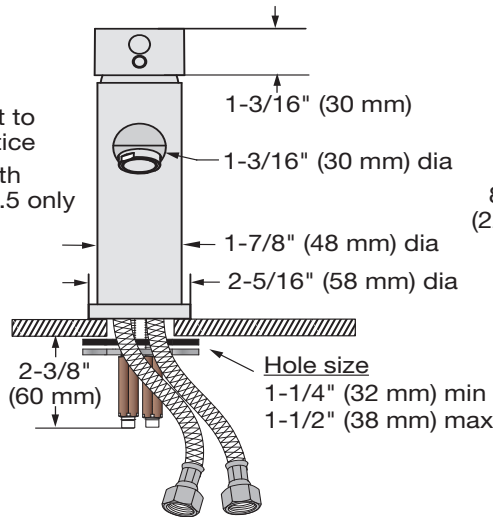
Model	Part No.
SLS-3512-1.5	LN-01295-1.5
SLS-3510-1.5	LN-01296-1.5

Dimensions Dia Lavatory Faucet, SLS-3512-1.5, SLS-3510-1.5

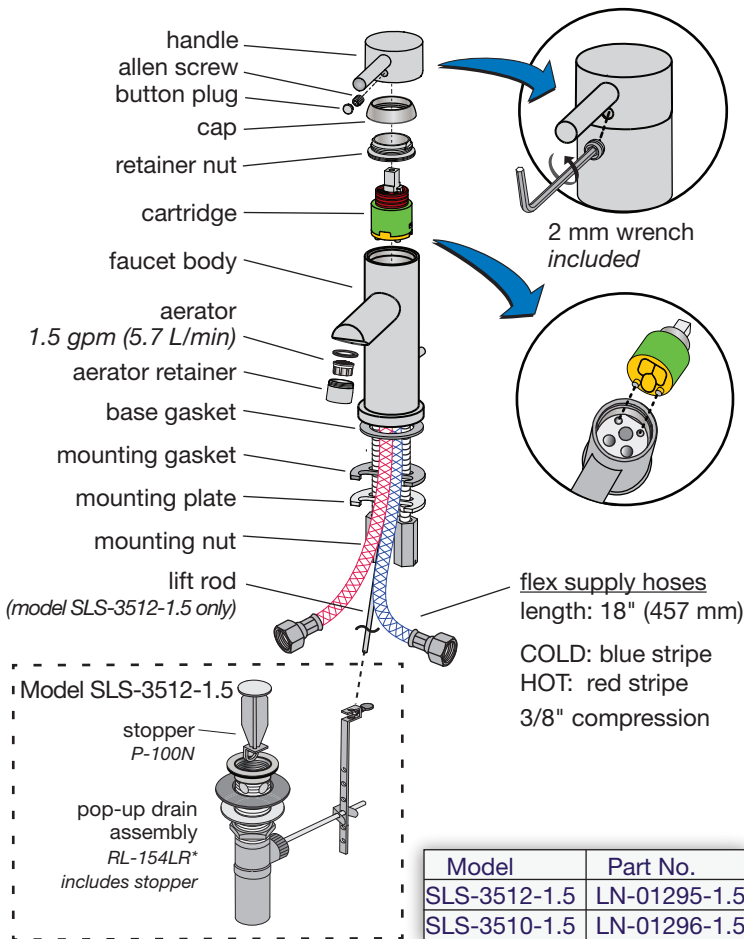
Model	Part No.
SLS-3512-1.5	LN-01295-1.5
SLS-3510-1.5	LN-01296-1.5

Note:





- (1) Dimensions subject to change without notice
- (2) Lift rod included with model SLS-3512-1.5 only



Parts Assembly Dia Lavatory Faucet, SLS-3512-1.5, SLS-3510-1.5



Model	Part No.
SLS-3512-1.5	LN-01295-1.5
SLS-3510-1.5	LN-01296-1.5

Replacement Parts	
Part Number	Item
RL-279	Cartridge with limit stop 
LN-15* FLR-110-1.5* FLR-110-1.0* RL-071*	<u>Aerator kits</u> 2.2 gpm (8.3 L/min) 1.5 gpm (5.7 L/min) 1.0 gpm (3.8 L/min) 0.5 gpm (1.9 L/min) <i>includes aerator, retainer & washer</i> 
LN-01386	<u>Handle kit</u> <i>includes handle, allen screw & RB button plug</i> <i>requires 2 mm Allen wrench</i> 
RL-238	<u>Mounting hardware kit</u> threaded studs (2) hex nut (2) rubber washer (1) metal washer (1) 

Ordering replacement parts:

Call Symmons customer service at (800) 796-6667, M-F 7:30 am - 7:00 pm EST or check our website at www.symmons.com for a list of Symmons distributors.

* Note: For decorative finish faucets append the appropriate suffix code letters to part numbers marked with an asterisk (*)