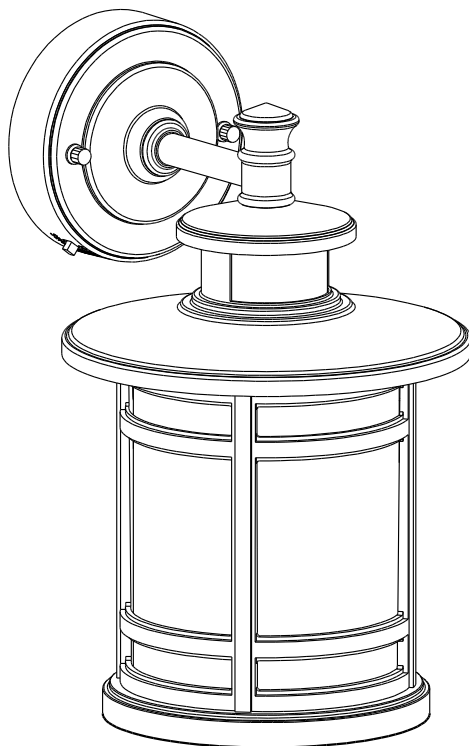


## USE AND CARE GUIDE



### EXTERIOR MOTION SENSOR, DUSK-TO-DAWN ALEXSON MEDIUM LED WALL LANTERN



Questions, problems, missing parts? Before returning to the store,  
call Home Decorators Collection Customer Service  
8 a.m. - 7 p.m., EST, Monday - Friday, 9 a.m. - 6 p.m., EST, Saturday

**1-800-986-3460**

**[HOMEDEPOT.COM/HOMEDECORATORS](http://HOMEDEPOT.COM/HOMEDECORATORS)**

#### **THANK YOU**

*We appreciate the trust and confidence you have placed in Home Decorators Collection through the purchase of this exterior wall lantern. We strive to continually create quality products designed to enhance your home. Visit us online to see our full line of products available for your home improvement needs. Thank you for choosing Home Decorators Collection!*

# Table of Contents

Table of Contents .....	2	Tools Required.....	4
Safety Information.....	2	Hardware Included.....	4
Warranty .....	2	Package Contents.....	5
What is Covered.....	2	<b>Installation .....</b>	<b>6</b>
What is Not Covered .....	2	<b>Operating Motion Sensor.....</b>	<b>8</b>
<b>Pre-Installation .....</b>	<b>3</b>	<b>Care and Cleaning.....</b>	<b>9</b>
Specifications .....	3	<b>Troubleshooting.....</b>	<b>9</b>
Selecting a Location .....	3		
Planning Installation.....	3		

## Safety Information



**WARNING:** Carefully read and understand the information given in this manual before beginning the assembly and installation. Failure to do so could lead to electric shock, fire or other injuries which could be hazardous or even fatal.



**WARNING:** Be sure the electricity to the wires you are working on is shut off. Either remove the fuse or turn the circuit off.

**NOTICE:** Changes or modifications not expressly approved by the party responsible for compliance could void the user's authority to operate the equipment.

**NOTICE:** This equipment has been tested and found to comply with the limits for a Class B digital device, pursuant to Part 15 of the FCC Rules.

These limits are designed to provide reasonable protection against harmful interference in a residential installation.

This equipment generates, uses and can radiate radio frequency energy and, if not installed and used in accordance with the instructions, may cause harmful interference to radio communications.

However, there is no guarantee that interference will not occur in a particular installation.

If this equipment does cause harmful interference to radio or television reception, which can be determined by turning the equipment off and on, the user is encouraged to try to correct the interference by one or more of the following measures:

- Reorient or relocate the receiving antenna.
- Increase the separation between the equipment and receiver.
- Connect the equipment into an outlet on a circuit different from that to which the receiver is connected.
- Consult the dealer or an experienced radio/TV technician for help.

## Warranty

### WHAT IS COVERED

The manufacturer warrants this lighting fixture to be free from defects in materials and workmanship for a period of five (5) years from date of purchase. This warranty applies only to the original consumer and only to products used in normal use and service. If this product is found to be defective, the manufacturer's only obligation, and your exclusive remedy, is the repair or replacement of the product at the manufacturer's discretion, provided that the product has not been damaged through misuse, abuse, accident, modifications, alterations, neglect or mishandling.

### WHAT IS NOT COVERED

This warranty shall not apply to any product that is found to have been improperly installed, set-up, or used in any way not in accordance with the instructions supplied with the product. This warranty shall not apply to a failure of the product as a result of an accident, misuse, abuse, negligence, alteration, or faulty installation, or any other failure not relating to faulty material or workmanship. This warranty shall not apply to the finish on any portion of the product, such as surface and/or weathering, as this is considered normal wear and tear.

The manufacturer does not warrant and specifically disclaims any warranty, whether express or implied, of fitness for a particular purpose, other than the warranty contained herein. The manufacturer specifically disclaims any liability and shall not be liable for any consequential or incidental loss or damage, including but not limited to any labor / expense costs involved in the replacement or repair of said product.

Contact the Customer Service Team at 1-800-986-3460 or visit [HOMEDEPOT.COM/HOMEDECORATORS](http://HOMEDEPOT.COM/HOMEDECORATORS).

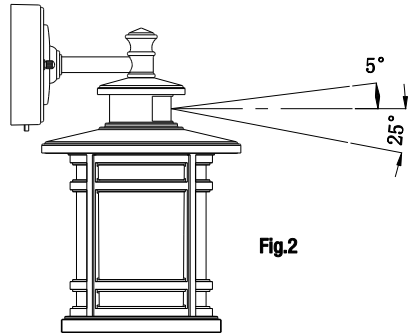
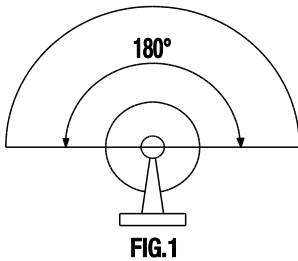
# Pre-Installation

## SPECIFICATIONS

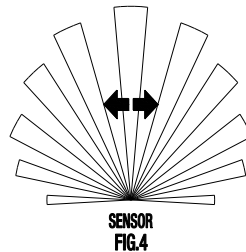
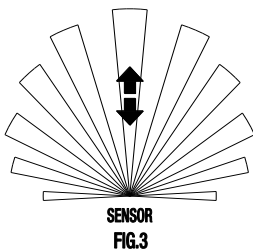
<b>Motion Sensor Range</b>	Up to 30 ft. (varies with surrounding temperature)
<b>Sensor Detection Angle</b>	180°
<b>Electrical Requirements</b>	120 VAC, 60HZ
<b>Installation Height</b>	Ideally, 6.5 ft. $\pm$ 0.7 ft. (1.8 - 2.2 m) above the ground
<b>Minimum to Maximum Outdoor Temperature</b>	-20° to 50° Celsius (-4° to 122° Fahrenheit)

## SELECTING A LOCATION

- The motion sensor's maximum range is 180° detection width angle (Fig. 1), and is 30° detection down-angle (Fig. 2). Mounting the fixture too high or in front of a sloped surface, such as an uphill walkway or driveway, may affect the motion sensor's effectiveness.



- The motion sensor is less sensitive to movement toward or away from the motion sensor (Fig. 3) and more sensitive to movement across its coverage area (Fig. 4).



- Select locations away from nighttime light sources, such as street lamps or other light fixtures. They may shine light onto the fixture's photocell sensor (located in the motion sensor head). This light might trick the circuit to think it is daytime and not allow the fixture's functions to operate.
- Select locations away from heat sources, such as heating vents, air conditioners, and heated swimming pools.
- Shade from a deep porch or an eave may not allow enough daylight to shine onto the photocell sensor and may trick the circuit to think it is nighttime, and subsequently cause the light to illuminate during the day.
- Motorized equipment, such as power tools, on the same electrical circuit may cause oscillations on the electrical line which might cause the fixture to malfunction.

# Pre-Installation (continued)

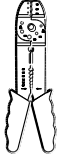
## PLANNING INSTALLATION

Read all instructions before assembly. Before starting installation of this fixture or removal of a previous fixture, disconnect the power by turning off the circuit breaker or by removing the fuse from the fuse box. To avoid damaging this product, assemble it on a soft, non-abrasive surface such as carpet or cardboard.



**NOTE:** Keep your receipt and these instructions for proof of purchase.

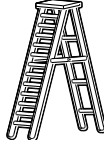
## TOOLS REQUIRED



Wire Strippers



Safety Goggles



Ladder



Gloves



Flathead Screwdriver



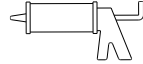
Phillips Screwdriver



Electrical Tape



Wire Cutters

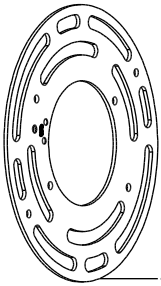


Caulk

## HARDWARE INCLUDED



**NOTE:** Hardware not shown to actual size.



AA



BB



CC



DD

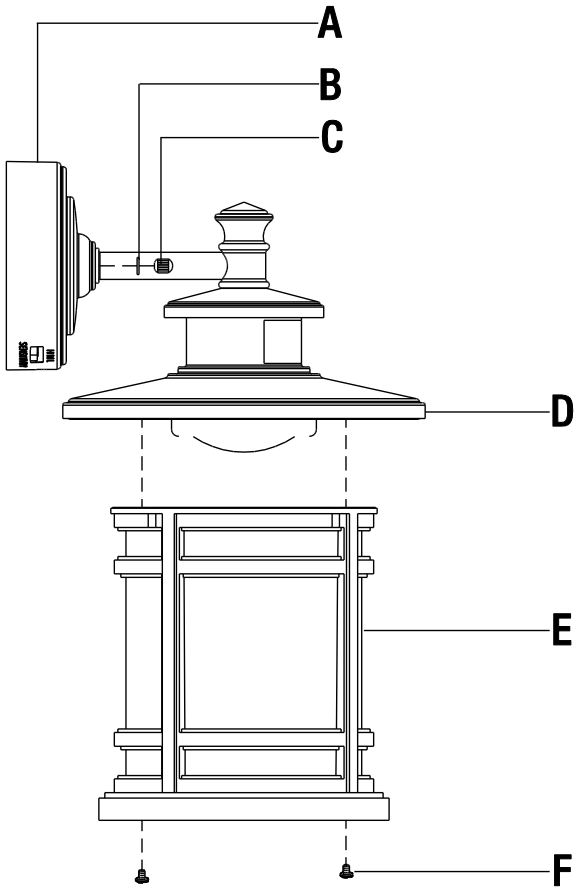


EE

Part	Description	Quantity
AA	Mounting Plate	1
BB	Ground Screw	1
CC	Mounting Screw (40 mm)	2
DD	Outlet Box Screw (15 mm)	2
EE	Wire Connector	3

# Pre-Installation (continued)

## PACKAGE CONTENTS

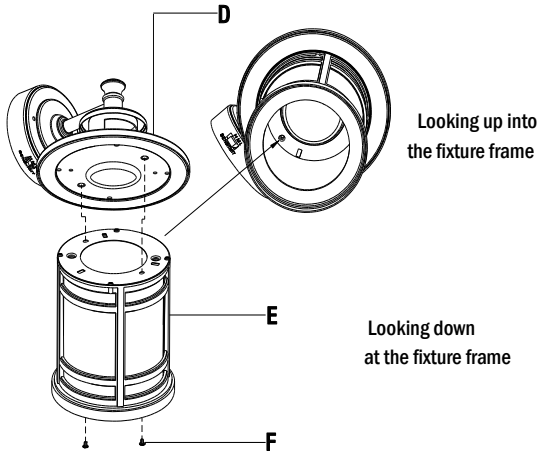


Part	Description	Quantity
A	Wall Plate	1
B	Washer	2
C	Lock Nut	2
D	Top Cover	1
E	Fixture Frame	1
F	Pan Screw (8 mm)	2

# Installation

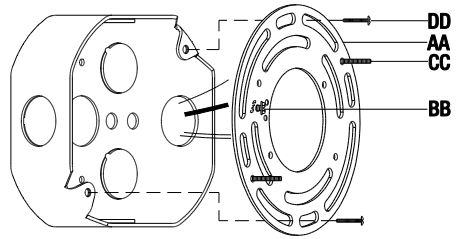
## 1 Attaching the fixture frame to the top cover

- Align the fixture frame (E) under the top cover (D).
- Use a Phillips screwdriver to screw the pan screws (F) through the holes on the fixture frame (E) into the holes on the top cover (D).



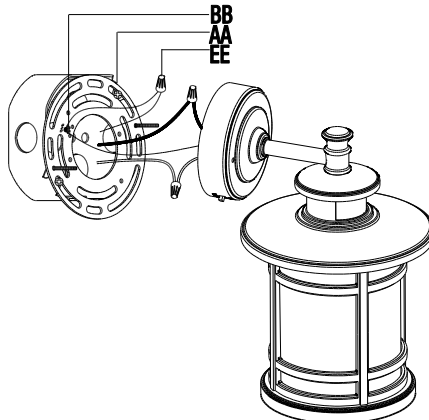
## 2 Attaching the mounting plate to the outlet box

- Screw the ground screw (BB) into the mounting plate (AA).
- Screw the mounting screws (CC) into the mounting plate (AA).
- Use the outlet box screws (DD) to attach the mounting plate (AA) to the outlet box (not included).
- Make sure the threads of the mounting screws (CC) are facing out when the mounting plate (AA) is attached to the outlet box.



## 3 Connecting the electrical wires

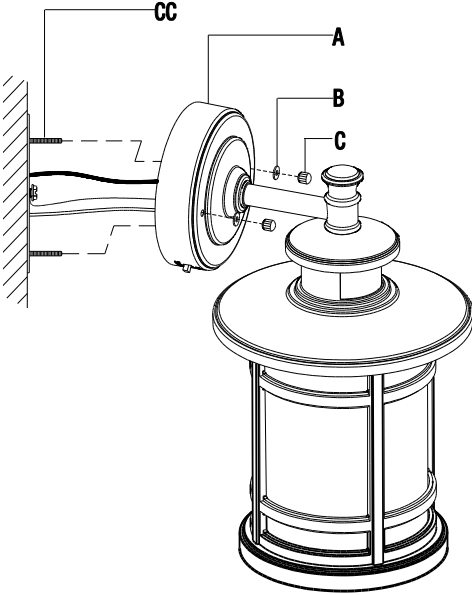
- Wrap the ground wire from the fixture around the ground screw (BB) on the mounting plate (AA). Use a wire connector (EE) to connect the ground wire from the fixture to the ground wire from the outlet box.
- Use a wire connector (EE) to connect the white wire from the fixture to the white wire (neutral wire) from the outlet box.
- Use a wire connector (EE) to connect the black wire from the fixture to the black wire (live wire) from the outlet box.
- Wrap the three wire connections with electrical tape for a more secure connection.
- Position the wires back inside the outlet box.



## Installation (continued)

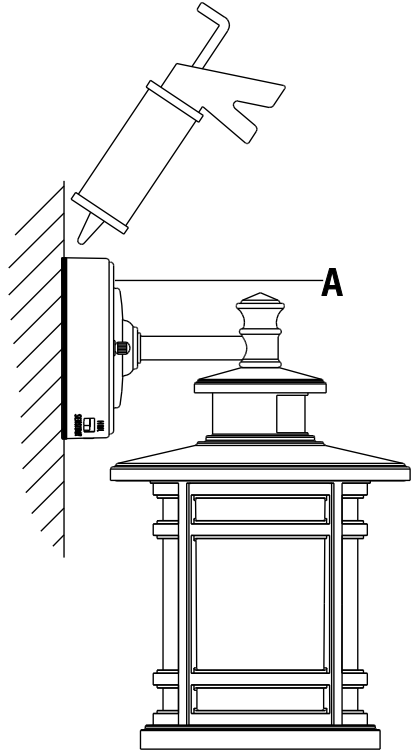
### 4 Securing the fixture to the wall

- Align the mounting screws (CC) to protrude through the holes on the wall plate (A).
- Place a washer (B) onto each of the mounting screws (CC).
- Screw the lock nuts (C) onto the mounting screws (CC) to secure the fixture against the wall.

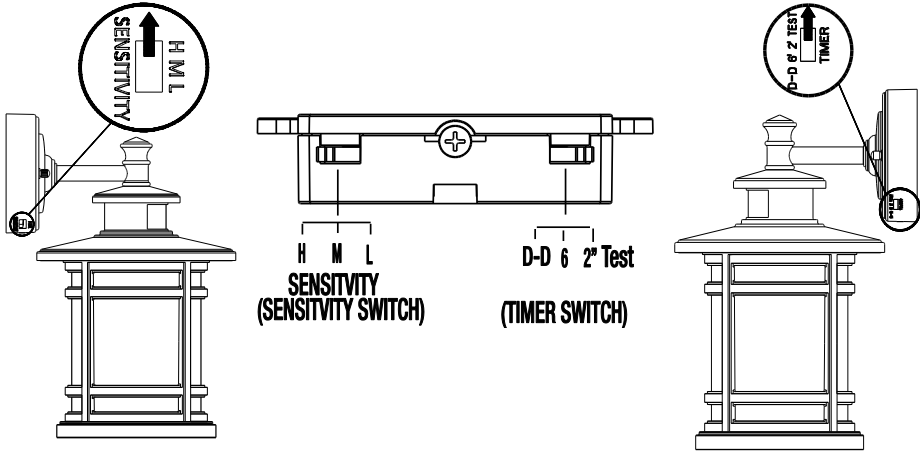


### 5 Applying caulk

- Once the fixture is mounted on the wall, caulk the space between the wall and the upper 3/4 area of the wall plate (A) to prevent water seeping into the wall.
- Leave the bottom 1/4 area uncaulked for drainage of any water which might leak into the enclosure.



# Operating Motion Sensor



Sensitivity	Description
H	High. In this setting, the sensitivity is the highest. The fixture will illuminate when the motion sensor detects motion within 3 - 30 ft from the motion sensor.
M	Medium. In this setting, the sensitivity is average. The fixture will illuminate when the motion sensor detects motion within 3 - 15 ft from the motion sensor.
L	Low. In this setting, the sensitivity is the lowest. The fixture will illuminate when the motion sensor detects motion within 3 - 5 ft from the motion sensor.

Mode	Timer Switch	Description
Stand-by	Test, 2, or 6	This is the initial state. If you have turned off the power for a long period of time and then restore power to the fixture, the light will illuminate and remain illuminated for approximately 20 seconds regardless of motion. Then it enters the Auto Detection Mode or Test Mode based on the setting of the Timer switch.
Auto Detection	2 or 6	This is the normal motion detection mode. The motion sensor illuminates the light automatically after sensing movement in the coverage area at dusk and stays on as long as motion is detected. When motion stops, the light remains on for either 2 minutes or 6 minutes (as set on Timer Switch) and then automatically turns off.
Test	Test	This mode allows you to adjust the sensitivity of the motion sensor to a desired level at dusk or dawn. When motion stops, the light will turn off in about 5 seconds.
Manual Override with Auto Reset	N/A	This mode allows you to keep the fixture illuminated for about 8 straight hours. The manual override mode only works at night (when the outside light intensity level is below 20 Lux). To activate the feature, turn the wall switch off then back on within 2 seconds. After 8 hours, the fixture resets itself back to Auto Detection Mode.
Dusk-to-Dawn	D-D	In this mode, the light turns on at dusk and off at dawn automatically, regardless of the presence of motion. The "D-D" setting ensures lights are non-operational in daylight and only function at night. To activate, set the Timer switch to the "D-D" position.



## Care and Cleaning

Clean the fixture with a soft, dry cloth.  
Do not use any cleaners with chemicals, solvents or harsh abrasives.



**WARNING:** Before attempting to clean the fixture, disconnect the power to the fixture by turning the breaker off or removing the fuse from the fuse box.

## Troubleshooting

Problem	Possible Cause	Solution
In motion sensing mode, the light does not turn on when there is motion.	The wall switch or circuit breaker is off.	Turn on a switch or circuit breaker.
	Incorrect or loose wire connections.	Check the wire connections.
	Too much sunlight is shining onto the photocell sensor in the early evening.	Relocate the fixture away from a western facing wall.
	Too much light is shining onto the photocell sensor due to another light source, such as a street lamp or other light fixture.	Eliminate or turn off other light source, block other light source from shining onto photocell sensor, or relocate the fixture.
	Moving people or vehicles are below the view of the motion sensor, because the motion sensor is mounted too high.	Relocate the fixture to a lower position or to a different location.
In motion sensing mode, the light stays on continuously.	There is false triggering caused by a heat source, such as a heater or dryer vent, or heated swimming pool.	Eliminate the heat source or relocate the fixture.
The light comes on for no apparent reason.	Street or sidewalk traffic is triggering the motion sensor.	Lower the sensitivity.
	There is false triggering caused by a heat source, such as a heater or dryer vent, or heated swimming pool.	Eliminate the heat source or relocate the fixture.
The light comes on during the daytime or too early in the evening.	The fixture may be installed in a shaded area, such as under a porch or eave, preventing daylight from shining onto the photocell sensor.	Relocate the fixture.

# HOME DECORATORS COLLECTION

Questions, problems, missing parts? Before returning to the store,  
call Home Decorators Collection Customer Service

8 a.m. - 7 p.m., EST, Monday - Friday, 9 a.m. - 6 p.m., EST, Saturday

**1-800-986-3460**

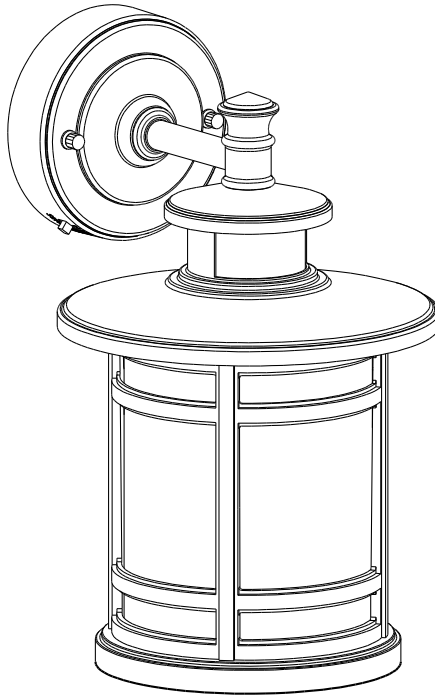
**[HOMEDEPOT.COM/HOMEDECORATORS](http://HOMEDEPOT.COM/HOMEDECORATORS)**

Retain this manual for future use.

# GUÍA DE USO Y MANTENIMIENTO



## ALEXSON MEDIO SENSOR DE MOVIMIENTO EXTERIOR, DESDE EL AMANECER HASTA AL NOCHECER LINTERNA DE PARED LED



Preguntas, problemas o piezas faltantes? Antes de regresar a la tienda, llama al Servicio al Cliente de Home Decorators Collection de Lunes a Viernes entre 8 a.m. y 7 p.m., El Sábado entre 9 a.m. y 6 p.m., (hora del Este de EE. UU.)

**1-800-986-3460**

**[HOMEDEPOT.COM/HOMEDECORATORS](http://HOMEDEPOT.COM/HOMEDECORATORS)**

### GRACIAS POR TU COMPRA

*Agradecemos la confianza que ha tenido en Home Decorators Collection a través de la compra de este farola de pared para exteriores. Nos esforzamos para continuamente crear productos de calidad diseñados para mejorar tu hogar. Visítanos por Internet para ver nuestra línea completa de productos disponibles para las necesidades de mejoras de tu hogar. Gracias por elegir Home Decorators Collection!*

# Índice

Índice .....	12	Herramientas Necesarias.....	14
Información de Seguridad .....	12	Hardware Incluido .....	14
Garantía .....	12	Contenido del Paquete .....	15
Lo que esta cubierto .....	12	<b>Instalación .....</b>	<b>16</b>
Lo que (no) esta cubierto .....	12	<b>Sensor de Movimiento Operacional ..</b>	<b>18</b>
Pre-Instalación .....	13	<b>Mantenimiento y Limpieza .....</b>	<b>19</b>
Especificaciones.....	13	<b>Solución de Problemas.....</b>	<b>19</b>
Seleccionar Ubicación.....	13		
Planificación de la Instalación..	13		

## Información de Seguridad



**ADVERTENCIA:** Lea cuidadosamente y entienda la información dada en este manual antes de empezar el proceso de ensamblaje e instalación. Si falla en hacerlo, puede ocasionar un choque eléctrico, incendio u otros daños que pueden ser perjudiciales o fatales.



**ADVERTENCIA:** Asegúrese de que la electricidad que llega a los cables con los que se encuentra trabajando estén apagados. Remueva el fusible o apague el interruptor.

**ANUNCIO:** Cualquier cambio o modificación que no se encuentre expresamente aprobada por el proveedor responsable del cumplimiento puede revocar la autorización del usuario a utilizar el equipo.

**NOTA:** Este equipo ha sido probado y se encuentra que cumple con los límites de dispositivos de la Clase B, y cumple con la arte 15 de la regla del FCC.

Estos límites están diseñados para suministrar una protección razonable contra interferencia perjudicial en una instalación residencial.

Este equipo genera, utiliza y puede irradiar energía de frecuencia radial, si no se instala e utiliza según las instrucciones, puede causar interferencia dañina en las comunicaciones de radio.

Sin embargo, no hay garantía de que la interferencia no ocurrirá en una instalación en particular.

Si el equipo causa interferencia perjudicial a la radio o a la recepción del televisor, lo cual puede determinar apagando el equipo, se le invita al usuario a intentar corregir la interferencia con una de las siguientes medidas:

- Reorientar o reubicar la antena receptora.
- Aumente la separación entre el equipo y el receptor.
- Conecte el equipo en el enchufe de un circuito diferente a aquel donde se encuentra conectado el receptor.
- Consulte al distribuidor o a un técnico experto en radio/TV para solicitar ayuda.

## Garantía

### LO QUE ESTA CUBIERTO

El fabricante garantiza que esta lámpara no presentará defectos materiales o de fabricación por un período de cinco (5) años a partir de la fecha de compra. Esta garantía es válida sólo para el comprador original y sólo cubre los productos en uso y funciones normales. Si se descubre algún defecto en este producto, la única obligación y solución exclusiva del fabricante, a criterio del mismo, será reparar o reemplazar el producto siempre y cuando el defecto no sea resultado de un mal uso, abuso, accidente, modificaciones, alteraciones, negligencia o manejo indebido.

### LO QUE (NO) ESTA CUBIERTO

Esta garantía no cubre ningún producto instalado, configurado o usado incorrectamente sin seguir las instrucciones adjuntas al producto. Esta garantía no cubre fallas del producto a consecuencia de un accidente, mal uso, abuso, negligencia, modificaciones o instalaciones defectuosas, o cualquier otra falla no relacionada con defectos materiales o de fabricación. Esta garantía no se aplica al acabado de ninguna parte del producto, como por ejemplo el de la superficie, ni al deterioro por condiciones ambientales, ya que eso se considera un desgaste normal.

El fabricante no garantiza y rechaza especialmente cualquier garantía, expresa o implícita, de idoneidad para un propósito en particular, distinta de la garantía indicada aquí. El fabricante se exime específicamente de cualquier obligación y no es responsable por daños o pérdidas directas o indirectas, lo que incluye cualquier costo de mano de obra o gastos relacionados con el reemplazo o reparación de dicho producto.

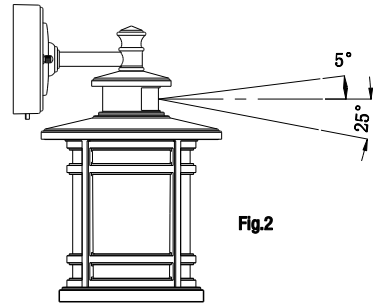
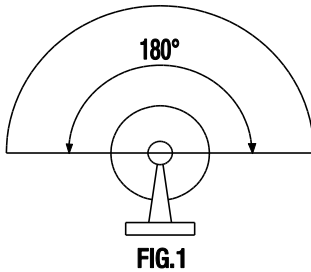
Comuníquese con el Equipo de Servicio al Cliente al 1-800-986-3460 o visita [HOMEDEPOT.COM/HOMEDECORATORS](http://HOMEDEPOT.COM/HOMEDECORATORS).

## ESPECIFICACIONES

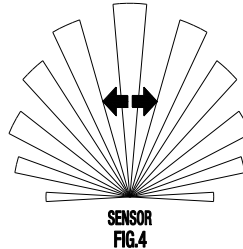
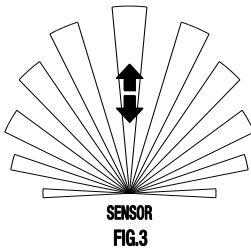
<b>Alcance del Sensor de Movimiento</b>	De hasta 30 pies (varía con la temperatura circundante)
<b>Ángulo de Detección del Sensor</b>	180°
<b>Requisitos Eléctricos</b>	120 VAC, 60HZ
<b>Altura de Instalación</b>	Idealmente entre 6,5 pies y 0,7 pies (1,8 - 2,2 metros) por encima del suelo.
<b>Temperatura Mínima a Máxima al Aire Libre</b>	-20° a 50° Celsius (-4° a 122° Fahrenheit)

## SELECCIONAR UBICACIÓN

- El alcance máximo del sensor de movimiento es de 180° de detección del ángulo ancho (Fig. 1), y es de 30° de detección hacia abajo del ángulo (Fig. 2). Un montaje del accesorio demasiado alto o sobre una superficie inclinada, tal como una cuesta arriba o en entrada, puede afectar a la eficacia del sensor de movimiento.



- El sensor de movimiento es menos sensible al movimiento hacia o desde el sensor de movimiento (Fig. 3) y más sensible al movimiento a través de su área de cobertura (Fig. 4).



- Seleccione lugares alejados de cualquier fuente de luz durante la noche, como farolas u otros artefactos de iluminación. Pueden alumbrar luz sobre el sensor de la fotocélula del dispositivo (situado en la cabeza del sensor de movimiento). Esta luz podría engañar al circuito a pensar que es de día y no permitir que las funciones del proyector funcionen correctamente.
- Seleccione lugares alejados de fuentes de calor, como conductos de calefacción, aire acondicionado y piscinas climatizadas.
- La sombra de un porche profundo o un alero puede no permitir que una luz suficiente alumbré el sensor de la fotocélula y puede engañar al circuito a pensar que es de noche, y, posteriormente, llevar a la luz a iluminar durante el día.
- Los equipos monitorizados, tales como herramientas eléctricas, en el mismo circuito eléctrico pueden causar oscilaciones en la línea eléctrica que podrían causar que el accesorio no funcione correctamente.

# Pre-Instalación

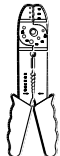
## PLANIFICACIÓN DE LA INSTALACIÓN

Lee todas las instrucciones antes de ensamblar. Antes de comenzar la instalación o de quitar la instalación anterior, desconecte la alimentación apagando el interruptor del circuito o quitando el fusible en la caja de fusible. Para evitar dañar el artículo, ensámblalo sobre una superficie suave, no abrasiva, como por ejemplo una alfombra o cartón.



**NOTA:** Conserva el recibo y estas Instrucciones como Comprobante de Compra.

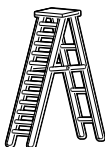
## HERRAMIENTAS NECESARIAS



Peladores de Cables



Gafas de Seguridad



Escalera



Guantes



Destornillador de Cabeza Plana



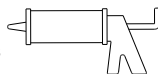
Destornillador Phillips



Cinta Aislante



Pinzas Cortacables

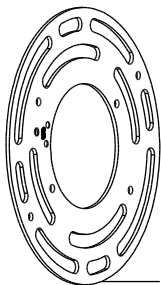


Calafate

## HARDWARE INCLUIDO



**NOTA:** El objeto no se muestra en su tamaño real.



BB



CC



DD

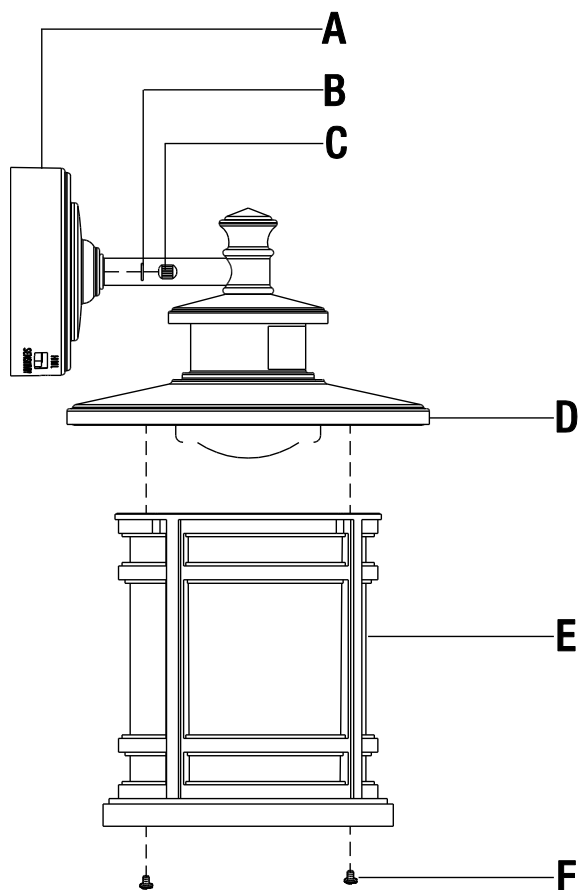


EE

Pieza	Descripción	Cantidad
AA	Placa de Montaje	1
BB	Tornillo de Terre	1
CC	Tornillo de Montage (40 mm)	2
DD	Tornillo de la Boîte de Sortie (15 mm)	2
EE	Conector de Cable	3

# Pre-Instalación (continuación)

## CONTENIDO DEL PAQUETE

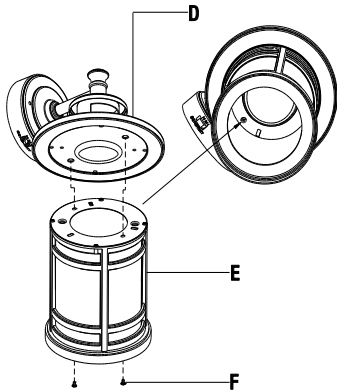


Part	Description	Quantity
A	Placa de la Pared	1
B	Junta	2
C	Tuerca de Cierre	2
D	Cubierta Superior	1
E	Bastidor de Fijación	1
F	Tornillo Pan (8 mm)	2

# Instalación

## 1 Coloque el bastidor de fijación en la cubierta superior

- Linee el bastidor de fijación (E) bajo la cubierta superior (D).
- Use un destornillador Phillips para atornillar los tornillos pan (F) a través de los orificios del bastidor de fijación (E) en los orificios de la cubierta superior (D).

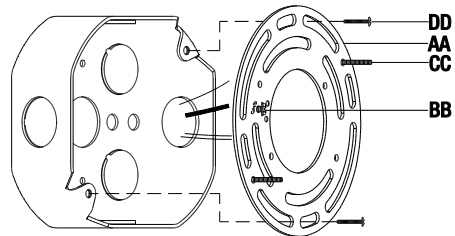


Mirando hacia arriba en el bastidor de fijación

Mirando hacia abajo en el bastidor de fijación

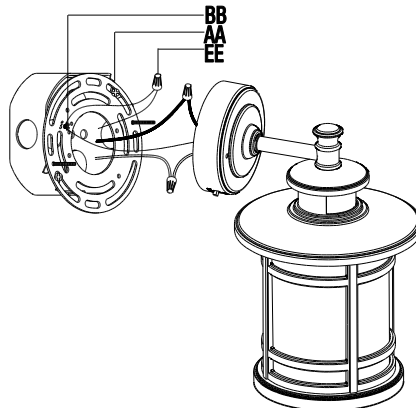
## 2 Coloque la placa de montaje en la caja de salida

- Atornille el tornillo de tierra (BB) en la placa de montaje (AA).
- Atornille los tornillos de montaje (CC) en la placa de montaje (AA).
- Use los tornillos de la caja de salida (DD) para fijar la placa de montaje (AA) a la caja de salida (no incluida).
- Asegúrese de que las roscas de los tornillos de montaje (CC) estén mirando hacia afuera cuando la placa de montaje (AA) esté unida a la caja de salida.



## 3 Conexión de los cables eléctricos

- Ajuste el cable de tierra del dispositivo al tornillo de tierra (BB) sobre la placa de montaje (AA). Utilice un conector de cable (EE) para conectar el cable de tierra de la luminaria al cable de tierra de la caja de salida.
- Utilice un conector de cable (EE) para conectar el cable blanco del dispositivo al cable blanco (cable neutro) de la caja de salida.
- Utilice un conector de cable (EE) para conectar el cable negro de la luminaria al cable negro (cable de alta tensión) de la caja de salida.
- Envuelva las tres conexiones de los cables con cinta aislante para una conexión más segura.
- Posicione los cables de vuelta al interior de la caja de salida.

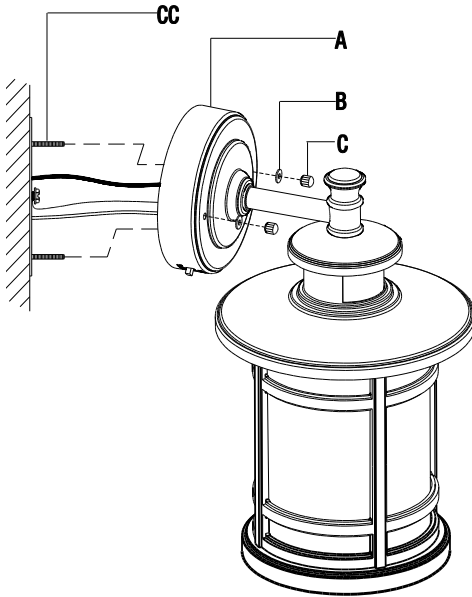




## Instalación (continuación)

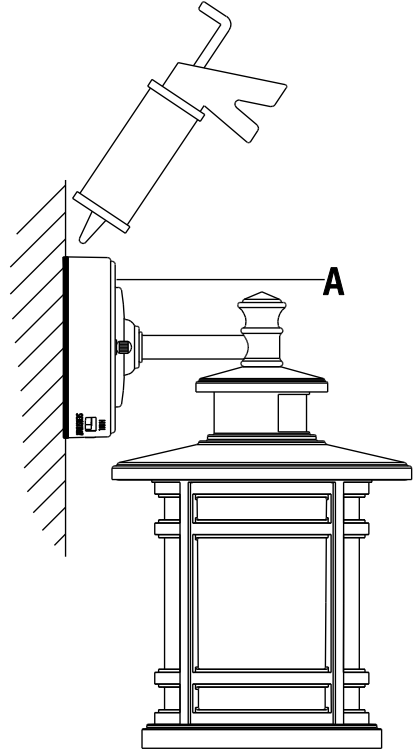
### 4 Fijar la instalación en la pared

- Alinee los tornillos de montaje (CC) a través de los agujeros que hay en el placa de la pared (A).
- Coloque una junta (B) en cada uno de los tornillos de montaje (CC).
- Atomille las tuercas de cierre (C) en los tornillos de montaje (CC) que sobresalen para asegurar la fijación a la pared.

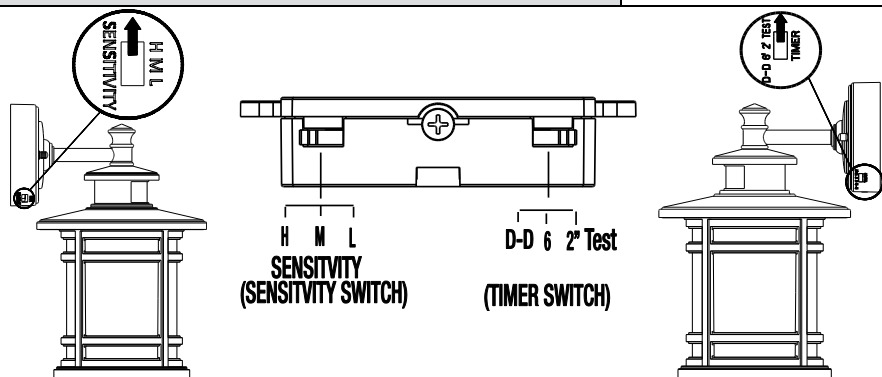


### 5 Aplicar el calafateado

- Una vez que la instalación haya sido montada en la pared, calafatear el espacio entre la pared y la 3/4 partes del área superior de la placa de la pared (A) para prevenir que el agua se filtre en la caja de salida.
- Deje 1/4 parte del área inferior si calafatear para el drenaje de posible agua que haya podido filtrarse en el recinto.



# Sensor de Movimiento Operacional



Sensitividad	Descripción
H	Alta. En esta configuración, la sensibilidad es la más alta. El aparato se encenderá cuando el sensor de movimiento detecte un movimiento entre 3 y 30 pies del sensor de movimiento.
M	Media. En esta configuración, la sensibilidad es normal. El aparato se encenderá cuando el sensor de movimiento detecte un movimiento entre 3 y 15 pies del sensor de movimiento.
L	Baja. En esta configuración, la sensibilidad es la más baja. El aparato se encenderá cuando el sensor de movimiento detecte un movimiento entre 3 y 5 pies del sensor de movimiento.

Modo	Interruptor del Temporizador	Descripción
Espera	Test, 2 o 6	Este es el estado inicial. Si ha apagado el dispositivo durante un largo período de tiempo y luego restaura la potencia a la luminaria, la luz se encenderá y permanecerá iluminada durante aproximadamente 20 segundos, independientemente del movimiento. Entonces, se inicia el modo de detección automática o modo de prueba en base a la posición del interruptor del temporizador.
Detección automática	2 o 6	Este es el modo de detección de movimiento normal. El sensor de movimiento enciende la luz automáticamente tras detectar un movimiento en el área de cobertura en la oscuridad y la luz se mantiene iluminada durante el tiempo que se detecta movimiento. Cuando se detiene el movimiento, la luz permanece encendida, ya sea 2 o 6 minutos (según lo establecido en el interruptor del temporizador) y luego se apaga automáticamente.
Test	Test	Este modo le permite ajustar la sensibilidad del sensor de movimiento a un nivel deseado al anochecer o al amanecer. Cuando se detiene el movimiento, la luz se apagará en unos 5 segundos.
Anulación manual con reajuste automático	Sin respuesta	Este modo le permite mantener el dispositivo de iluminación durante aproximadamente 8 horas seguidas. El modo de anulación manual funciona sólo por la noche (cuando el nivel de intensidad de la luz exterior es inferior a 20 lux). Para activar la función, gire el interruptor de pared hacia fuera en un plazo de 2 segundos. Después de 8 horas, el dispositivo se reinicia de nuevo en modo de detección automática.
Desde el atardecer hasta el amanecer	D-D	En este modo, la luz se enciende al atardecer y se apaga al amanecer de forma automática, sin tener en cuenta la presencia de movimiento. El ajuste "DD" asegura que las luces están fuera de funcionamiento durante el día y sólo funcionan por la noche. Para activar este modo, configure el temporizador y cambie a la posición "D-D".

# Mantenimiento y Limpieza

- Limpia la lámpara con un paño suave y seco.
- No uses limpiadores con químicos, solvents, o productos abrasivos.



**PRECAUCIÓN:** Antes de intentar limpiar la pieza, desconéctela o apague el interruptor o remueva el fusible de la caja de fusibles.

## Solución de Problemas

Problema	Causa Posible	Solución
En modo de detección de movimiento, la luz no se enciende cuando hay movimiento.	El interruptor de pared o disyuntor está apagado.	Encienda un interruptor o un disyuntor.
	Conexiones de cables sueltos o incorrectas.	Testee las conexiones de los cables.
	Demasiada luz solar está iluminando el sensor de la fotocélula por la tarde.	Recoloque el accesorio de distancia en una pared orientada al oeste.
	Demasiada cantidad de luz ilumina el sensor de la fotocélula debido a otra fuente de luz, tal como una lámpara de la calle u otro artefacto de iluminación.	Elimine o apague la otra fuente de luz y evite que otra fuente de luz ilumine el sensor de la fotocélula, cambiando la ubicación de la luminaria.
	Personas o vehículos en movimiento pasan por debajo de la vista del sensor de movimiento, debido a que el sensor de movimiento está montado demasiado alto.	Recoloque el dispositivo en una posición más baja o en una ubicación diferente.
La luz se enciende sin razón aparente.	Hay una falsa activación causada por una fuente de calor, tal como un calentador o una secadora, o una piscina climatizada.	Elimine la fuente de calor o la ubicación del accesorio.
La luz se enciende sin razón aparente.	El tráfico de la calle o de la acera está activando el sensor de movimiento.	Baje la sensibilidad.
	Hay una falsa activación causada por una fuente de calor, tal como un calentador o una secadora, o una piscina climatizada.	Elimine la fuente de calor o la ubicación del accesorio.
La luz se enciende durante el día o demasiado temprano por la noche.	El accesorio se puede instalar en una zona de sombra, bajo un porche o alero, evitando que la luz del día refleje en el sensor de la fotocélula.	Recoloque el accesorio.

# HOME DECORATORS COLLECTION

Preguntas, problemas o piezas faltantes? Antes de regresar a la tienda,  
llama al Servicio al Cliente de Home Decorators Collection  
de lunes a Viernes entre 8 a.m. y 7 p.m., El sábado entre 9 a.m. y 6 p.m., (hora del Este de EE. UU.)

**1-800-986-3460**

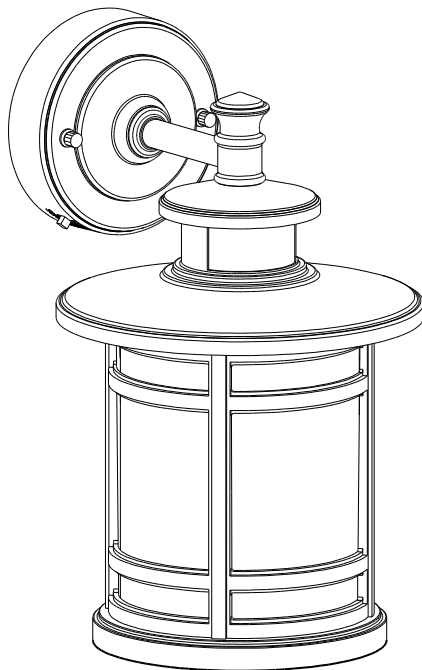
**[HOMEDEPOT.COM/HOMEDECORATORS](http://HOMEDEPOT.COM/HOMEDECORATORS)**

Conserva este manual para referencias futuras.

## GUIDE D'UTILISATION ET D'ENTRETIEN

---

### ALEXSON MOYENNE LANterne MURALE D'EXTÉRIEUR À DEL À DÉTECTEUR DE MOUVEMENT NOCTURNE



Questions, problèmes, pièces manquantes? Avant de retourner au magasin, veuillez communiquer avec le service à la clientèle Home Decorators Collection entre 8h00 et 19h00 (HNE) du lundi au vendredi, entre 9h00 et 18h00 (HNE) du samedi

**1-800-986-3460**

**[HOMEDEPOT.COM/HOMEDECORATORS](http://HOMEDEPOT.COM/HOMEDECORATORS)**

---

#### **MERCI**

*Nous vous remercions de la confiance que vous avez place en Home Decorators Collection en achetant ce luminaire plafonnier extérieur. Nous nous efforçons en permanence de créer des produits de qualité conçus pour perfectionner votre maison. Vous pouvez visiter notre site en ligne pour consulter notre gamme complète de produits pour vos besoins de rénovation résidentielle. Merci d'avoir choisi Home Decorators Collection!*

# Table des Matières

Table des Matières.....	22	Outils Requis.....	24
Consignes de Sécurité.....	22	Le Matériel Inclus.....	24
Garantie.....	22	Contenu de l'Emballage.....	25
Ce qui est Couvert.....	22	Installation.....	26
Ce qui est Couvert (et pas) .....	22	Détecteur de Mouvements	
Pré-Installation.....	23	Opérationnel.....	28
Spécifications.....	23	Entretien et Nettoyage.....	29
Choisir un Emplacement.....	23	Especificaciones.....	29
Planification de l'Installation.....	23		

## Consignes de Sécurité



**AVERTISSEMENT:** Veuillez soigneusement lire et comprendre les informations contenues dans ce manuel avant de commencer l'assemblage et l'installation. Vous vous exposez, dans le cas contraire, à des risques dangereux ou mortels d'électrocution, d'incendie ou d'autres blessures.



**AVERTISSEMENT:** Enlevez les fusibles concernés ou désactivez le disjoncteur afin de vous assurer de mettre hors tension les fils électriques à manipuler.

**REMARQUE:** Tout changement ou modification non expressément approuvé par le parti responsable de la conformité peut annuler le droit par l'utilisateur d'utiliser le matériel.

**REMARQUE:** Cet appareil a été testé conformément à la partie 15 de la réglementation de la FCC (Commission fédérale des communications). Il répond aux critères d'un appareil numérique de classe B. Ces critères ont été déterminés pour obtenir une protection raisonnable contre les interférences gênantes dans les installations à caractère résidentiel. Si cet appareil est installé ou utilisé de manière non conforme aux instructions, il peut générer, utiliser ou émettre de l'énergie de radiofréquence pouvant causer des interférences qui gêneraient les communications radio. Il n'est toutefois pas garanti qu'aucune interférence ne subsistera dans certains cas. Si l'utilisation de l'appareil cause des interférences et gêne ainsi la réception de radio ou de télévision (allumer et éteindre l'appareil pour vérifier), l'utilisateur doit essayer de les faire disparaître à l'aide des méthodes suivantes:

- En réorientant ou en changeant l'antenne de réception de place.
- En augmentant la distance entre l'appareil et le récepteur.
- En connectant l'appareil à la sortie d'un circuit autre que celui du récepteur.
- En se renseignant auprès du vendeur ou d'un spécialiste radio/TV.

## Garantie

### CE QUI EST COUVERT

Le fabricant garantit que ce luminaire sera exempt de défauts de fabrication et de matériaux pendant une période d'un cinq (5) ans à compter de la date d'achat. Cette garantie ne vise que l'acheteur original et uniquement un usage et un entretien normaux des produits. Si ce produit est défectueux, la seule obligation du fabricant, et votre seul recours, est de remplacer ou de réparer le produit, au choix du fabricant, pourvu que le produit n'ait pas été endommagé par une utilisation inadéquate ou abusive, par un accident, une modification, une altération, la négligence ou une mauvaise manipulation.

### CE QUI EST COUVERT (ET PAS)

Cette garantie ne s'applique pas à un produit qui est déclaré avoir été mal installé, mal posé ou utilisé d'une façon non conforme aux instructions qui l'accompagnent. Cette garantie ne s'applique pas à un défaut du produit qui découle d'un accident, d'un mauvais usage, d'un usage abusif, d'une négligence, d'une modification ou d'une installation incorrecte, ou à tout défaut étranger à un défaut de matériaux ou de fabrication. Cette garantie ne s'applique pas au fini de toute partie du produit, comme la surface, ni à l'altération par le climat, puisqu'il s'agit d'une usure normale.

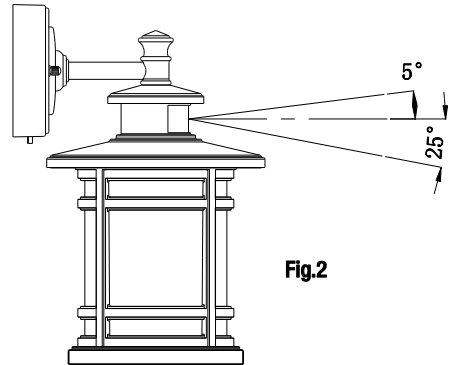
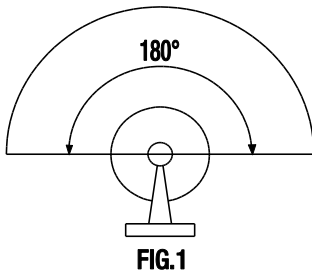
Le fabricant ne garantit aucunement, et réfute expressément toute garantie, explicite ou tacite, d'adaptation à un usage particulier autre que celui exprimé aux présentes. Le fabricant réfute expressément toute responsabilité et ne peut être tenu responsable de toute perte ou de tout dommage indirect ou accessoire, y compris mais non de façon limitative, tous les frais de main-d'œuvre ou autres encourus pour le remplacement ou la réparation dudit produit. Communiquez avec l'équipe du service à la clientèle au 1-800-986-3460 ou visitez le site [HOMEDEPOT.COM/HOMEDECORATORS](http://HOMEDEPOT.COM/HOMEDECORATORS).

## SPÉCIFICATIONS

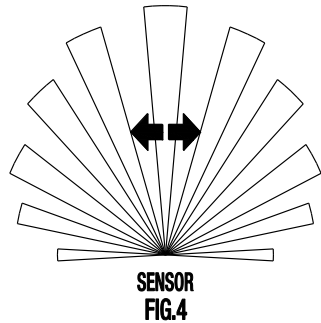
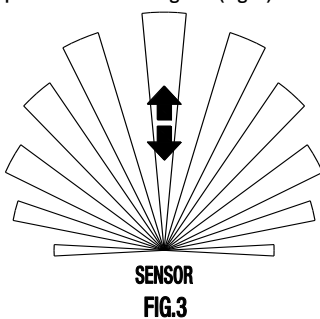
<b>Portée du Détecteur de Mouvements</b>	30 pieds (9,15m) (suivant la température ambiante)
<b>Angle de Détection du Détecteur</b>	180°
<b>Exigences Electriques</b>	120 VAC, 60HZ
<b>Hauteur d'Installation</b>	Idéalement 6,5 pieds ± 0,7 pied (1,8 - 2,2 mètres) au-dessus du sol.
<b>Temperature Exterieur Minimale a Maximale</b>	-20° a 50° Celsius (-4° a 122° Fahrenheit)

## CHOISIR UN EMPLACEMENT

- L'angle horizontal maximal de détection du détecteur de mouvements est de 180° (Fig. 1), et celui vers le bas est de 30° (Fig. 2). L'efficacité du détecteur de mouvements peut être affectée si celui-ci est installé trop haut ou face à une surface en pente, tel une voie véhiculaire ou piétonne montante.



- Le détecteur de mouvements est plus sensible aux mouvements croisant sa zone de couverture (Fig. 3) qu'à ceux s'en approchant ou s'en éloignant (Fig. 4).



- Choisir un emplacement éloigné de sources lumineuses nocturnes, tel un éclairage de rue ou autre, pour éviter une projection de lumière sur la cellule photo-électrique située dans la partie supérieure du détecteur de mouvements. Cette lumière pourrait amener le circuit à croire qu'il fait jour et empêcher le fonctionnement nocturne du luminaire.
- Choisir un emplacement éloigné des sources de chaleur tel bouches de chaleur, climatiseurs et piscines chauffées.
- L'ombre d'un porche en profondeur ou d'un avant-toit pourrait empêcher la lumière du jour d'être projetée sur le détecteur à cellule photo-électrique et amener le circuit à croire qu'il fait nuit, et par conséquent allumer la lanterne alors qu'il fait jour.
- Un équipement motorisé, tel un outil électrique, sur le même circuit électrique pourrait entraîner des oscillations sur la ligne électrique et provoquer un dysfonctionnement du luminaire.

# Pré-Installation (suite)

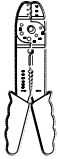
## PLANIFICATION DE L'INSTALLATION

Lisez toutes les instructions avant de procéder à l'assemblage. Avant de commencer à installer ce luminaire ou d'enlever l'ancien luminaire, déconnectez le courant en éteignant le disjoncteur ou en enlevant le fusible correspondant du coffret à fusibles. Pour éviter d'endommager ce produit, assemblez-le sur une surface molle et non abrasive telle qu'un tapis ou un carton.



**REMARQUE:** Conservez le reçu, ainsi que ces instructions, à titre de preuve d'achat.

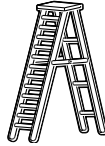
## OUTILS REQUIS



Dénudeur de Câbles Électriques



Lunettes de Protection



Echelle



Gants



Tournevis à Tête Plate



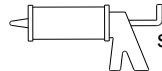
Tournevis à Croisillon



Ruban Adhésif Isolant



Pince Pour Câbles Électriques

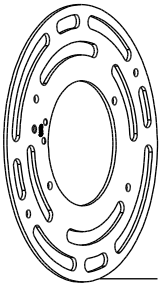


Silicone

## LE MATÉRIEL INCLUS



**REMARQUE:** Le matériel n° est pas illustré à sa taille réelle..



AA



BB



CC



DD



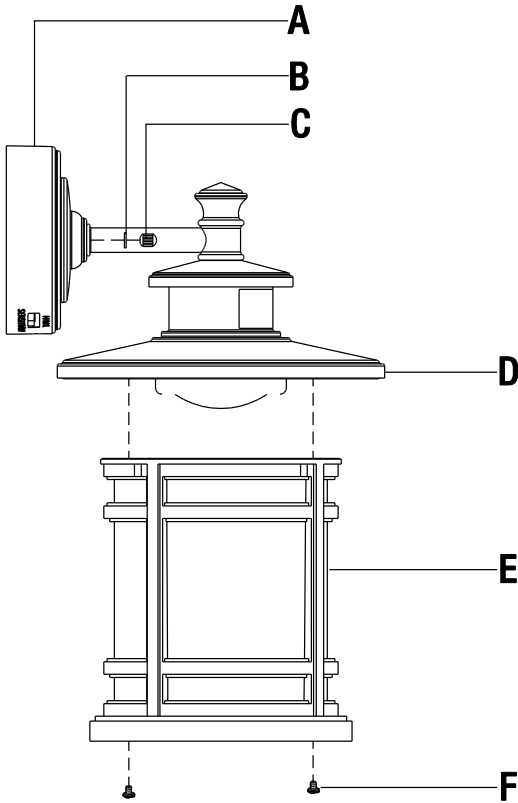
EE

Pièce	Description	Quantité
AA	Plaque d'Assemblage	1
BB	Vis de Terre	1
CC	Vis de la Boîte de Sortie (40 mm)	2
DD	Vis d'Assemblage (15 mm)	2
EE	Connecteur de Fils	3



# Pré-Installation (suite)

## CONTENU DE L'EMBALLAGE

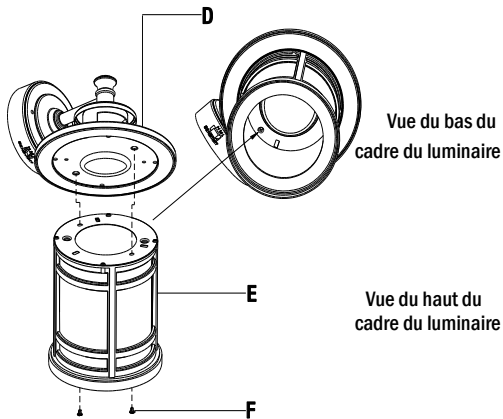


Pièce	Description	Quantité
A	Plaque Murale	1
B	Rondelle	2
C	Écrou de Verrouillage	2
D	Cache Supérieur	1
E	Cadre du Luminaire	1
F	Vis à Tête Cylindrique (8 mm)	2

# Installation

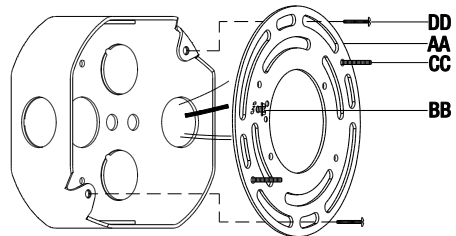
## 1 Fixer le cadre du luminaire au cache supérieur

- Fixer le cadre du luminaire (E) au cache supérieur (D).
- Utiliser un tournevis cruciforme pour visser les vis cylindriques (F) à travers les trous du cadre du luminaire (E) dans les trous du cache supérieur (D).



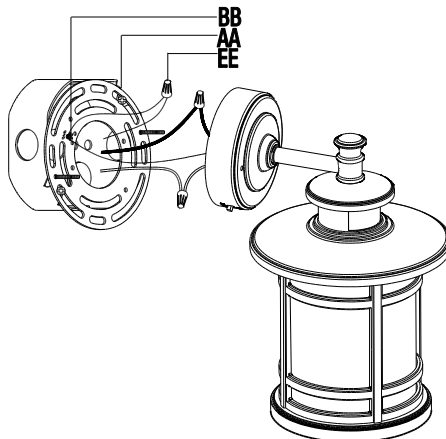
## 2 Fixer la plaque d'assemblage sur la boîte de sortie

- Visser la vis de terre (BB) dans la plaque de montage (AA).
- Visser les vis de montage (CC) dans la plaque de montage (AA).
- Utiliser les vis de la boîte de sortie (DD) pour fixer la plaque de montage (AA) sur la boîte de sortie (non incluse).
- S'assurer que le filetage des vis de montage (CC) est tourné vers l'extérieur lorsque la plaque de montage (AA) est fixée sur la boîte de sortie.



## 3 Brancher les fils électriques

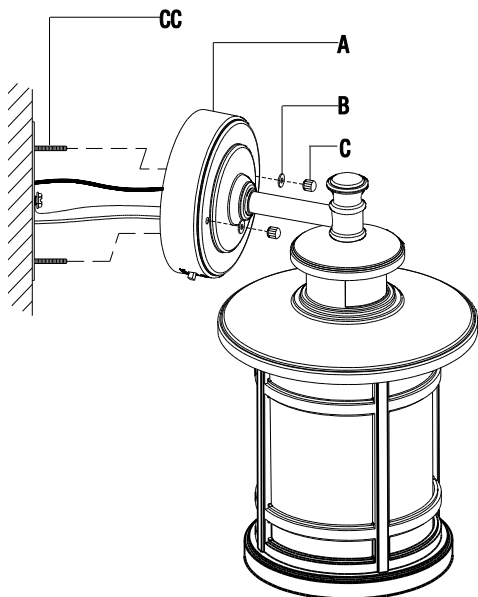
- Enrouler le fil de terre de l'appareil autour de la vis de terre (BB) de la plaque d'assemblage (AA). Utiliser un connecteur de fils (EE) pour raccorder le fil de terre du luminaire au fil de terre de la boîte de sortie.
- Utiliser un connecteur de fils (EE) pour raccorder le fil blanc du luminaire au fil blanc (fil neutre) de la boîte de sortie.
- Utiliser un connecteur de fils (EE) pour raccorder le fil noir du luminaire au fil noir (fil sous tension) de la boîte de sortie.
- Enrouler du ruban isolant autour des trois raccordements de fil pour sécuriser le raccordement.
- Remplacer les fils dans la boîte de sortie.



## Installation (suite)

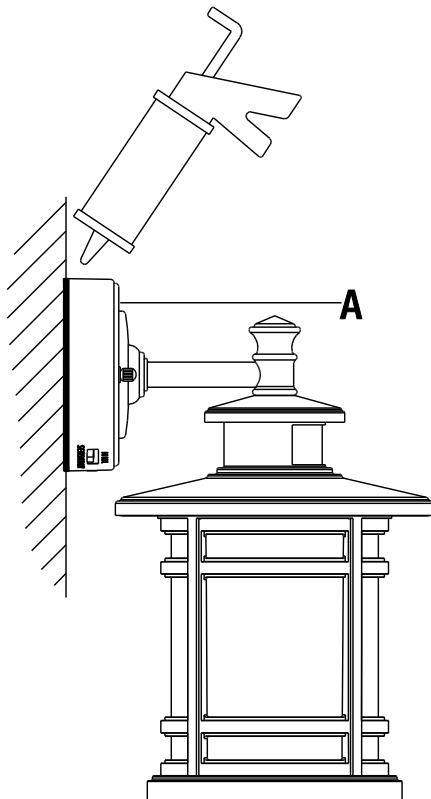
### 4 Fixer le luminaire au mur

- Aligner les vis de montage (CC) au travers des trous sur le plaque murale (A).
- Placer une rondelle (B) sur chacune des vis de montage (CC).
- Vissez les écrous de verrouillage (C) sur les vis de montage (CC) pour assurer la fixation contre le mur.

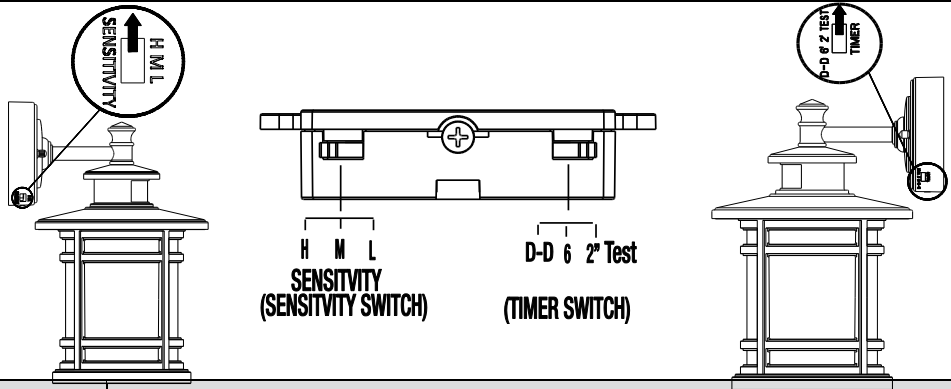


### 5 Appliquer le silicone

- Une fois le luminaire fixé au mur, silicone l'espace entre le mur et la partie 3/4 supérieure de la plaque murale (A) pour empêcher l'infiltration d'eau dans la boîte de sortie.
- Ne pas silicone la partie 1/4 inférieure pour pouvoir évacuer l'eau ayant pu pénétrer dans le boîtier.



# Détecteur de Mouvements Opérationnel



Sensitivité	Description
H	Élevée. Dans ce réglage, la sensibilité est la plus élevée. Le luminaire éclairera lorsque le détecteur de mouvements détecte un mouvement entre 3 et 30 pieds du détecteur de mouvement.
M	Intermédiaire. Dans ce réglage, la sensibilité est intermédiaire. Le luminaire éclairera lorsque le détecteur de mouvements détecte un mouvement entre 3 et 15 pieds du détecteur de mouvement.
L	Basse. Dans ce réglage, la sensibilité est la plus basse. Le luminaire éclairera lorsque le détecteur de mouvements détecte un mouvement entre 3 et 5 pieds du détecteur de mouvement.

Mode	Commutateur de la minuterie	Description
Stand-by	Test, 2, ou 6	Ceci est la situation initiale. Si vous rétablissez l'alimentation de l'appareil après l'avoir désactivée pendant une longue période de temps, la lumière s'allume et reste allumée pendant environ 20 secondes, indépendamment de tout mouvement. Elle passera ensuite en Mode de Détection Automatique ou en Mode de Test en fonction du réglage du Commutateur de la Minuterie.
Détection Auto	2, ou 6	Ceci est le mode normal de détection de mouvement. Le détecteur de mouvements allume automatiquement la lumière après une détection de mouvement dans la zone de couverture au crépuscule et l'éclairage perdura aussi longtemps que le mouvement est détecté. Après l'arrêt du mouvement, la lumière restera allumée durant 2 ou 6 minutes (tel défini sur le Commutateur de la Minuterie) et s'éteindra automatiquement.
Test	Test	Ce mode vous permet de régler la sensibilité du détecteur de mouvements à un niveau désiré au crépuscule ou à l'aube. Après l'arrêt du mouvement, la lumière s'éteindra après environ 5 secondes.
Commande Prioritaire Manuelle avec Réinitialisation Automatique	N/A	Ce mode vous permet de garder le luminaire allumé durant 8 heures d'affilée. Le mode de Commande Prioritaire Manuelle fonctionne seulement la nuit (lorsque l'intensité lumineuse extérieure est inférieure à 20 Lux). Activez cette fonction en utilisant l'interrupteur mural pour éteindre puis rallumer en moins de 2 secondes. Le luminaire reviendra tout seul en Mode de Détection Automatique après 8 heures.
Du crépuscule à l'aube	D-D	Dans ce mode, la lumière s'allume au crépuscule et s'éteint à l'aube automatiquement, indépendamment de tout mouvement. Le réglage "D-D" garantit que les lumières ne fonctionneront pas le jour mais seulement la nuit. Placer le Commutateur de la Minuterie sur "D-D" pour activer cette fonction.

# Entretien et Nettoyage

- Nettoyez la lampe avec un linge doux, sec.
- N'utilisez jamais de nettoyant contenant des produits chimiques, des solvants ou des abrasifs.



**AVERTISSEMENT:** Débrancher l'alimentation électrique avant de nettoyer le luminaire en enlevant les fusibles concernés ou en désactivant le disjoncteur.

# Dépannage

Problème	Cause possible	Solution
En mode de détection de mouvement, la lumière reste éteinte en l'absence de mouvement.	L'interrupteur mural ou le disjoncteur du circuit est en position d'arrêt.	Placer l'interrupteur mural ou le disjoncteur du circuit en position de marche.
	Connexions des fils incorrectes ou lâches.	Vérifier les connexions des fils.
	Trop de lumière du jour est projetée sur le détecteur à cellule photo-électrique en début de soirée.	Éviter de placer le luminaire dur un mur orienté vers l'ouest.
	Trop de lumière est projetée sur le détecteur à cellule photo-électrique par une autre source de lumière, tel une lampe de rue ou un autre luminaire.	Supprimer ou éteindre les autres sources de lumière, éviter que toute lumière soit projetée sur le détecteur à cellule photo-électrique, ou déplacer le luminaire.
	Les gens ou les véhicules en déplacement sont en dessous de la surface de détection du détecteur de mouvement, car celui-ci est monté trop haut.	Déplacer le luminaire vers une position plus basse ou un emplacement différent.
La lumière ne s'éteint pas en mode de détection de mouvement.	Déclenchement intempestif provoqué par une source de chaleur, tel un chauffage, une sortie de sècheuse ou une piscine chauffée.	Supprimer la source de chaleur ou déplacer le luminaire.
La lumière s'allume sans raison apparente.	La lumière s'allume sans raison apparente.	Abaisser la sensibilité.
	Déclenchement intempestif provoqué par une source de chaleur, tel un chauffage, une sortie de sècheuse ou une piscine chauffée.	Supprimer la source de chaleur ou déplacer le luminaire.
La lumière s'allume durant la journée ou trop tôt le soir.	Le luminaire peut être installé dans une zone ombragée, tel sous un porche ou un avant-toit, empêchant la lumière du jour d'être projetée sur le détecteur à cellule photo-électrique.	Déplacer le luminaire.

# HOME DECORATORS COLLECTION

Questions, problèmes, pièces manquantes? Avant de retourner au magasin, veuillez communiquer avec le service à la clientèle Home Decorators Collection entre 8h00 et 19h00 (HNE) du lundi au vendredi, entre 9h00 et 18h00 (HNE) du samedi

**1-800-986-3460**

**[HOMEDEPOT.COM/HOMEDECORATORS](https://www.homedepot.com/homedecorators)**

Conservez ce guide pour un usage ultérieur.