

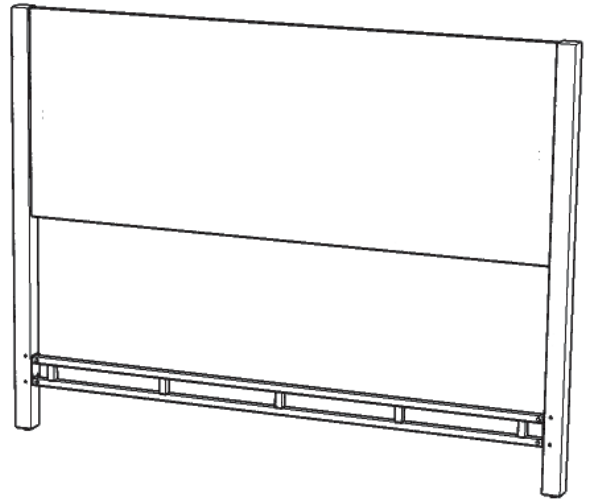
88 5053 501 Queen Headboard

IMPORTANT NOTE

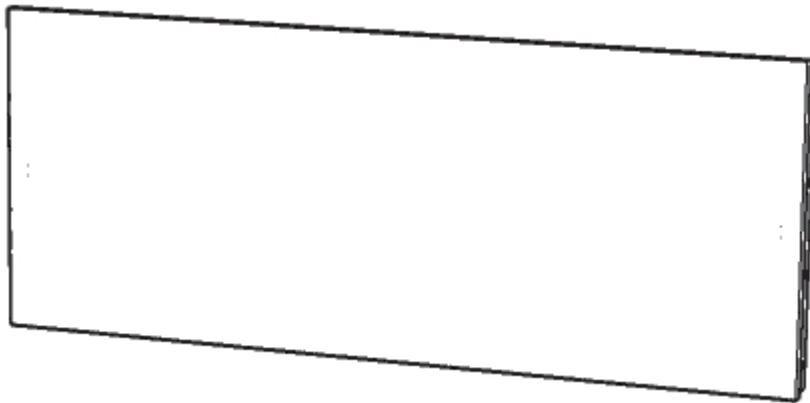
Carefully remove all the parts from the carton and put them individually on a soft cloth to prevent scratches or other damage occurring to the parts.

We have taken great care in the design of this product and request that you carefully and strictly follow our assembly instructions to ensure a completed product as it was designed.

*Home
Styles*



Part List



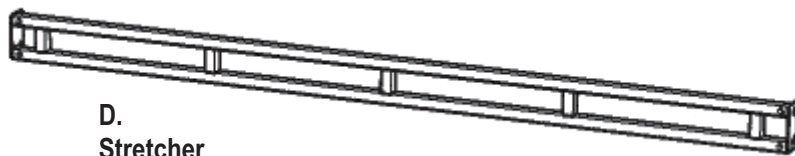
A.
Headboard
1 pc.



B.
Leg
1 pc.



C.
Leg
1 pc.



D.
Stretcher
1 pc.

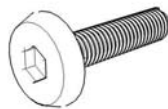
Hardware List



Small Hex Wrench
1 pc.



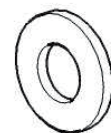
Hex Wrench
1 pc.



**M6x15
Head Cap Bolt**
12 pcs. (+1 extra)



Spring Washer
12 pcs. (+1 extra)



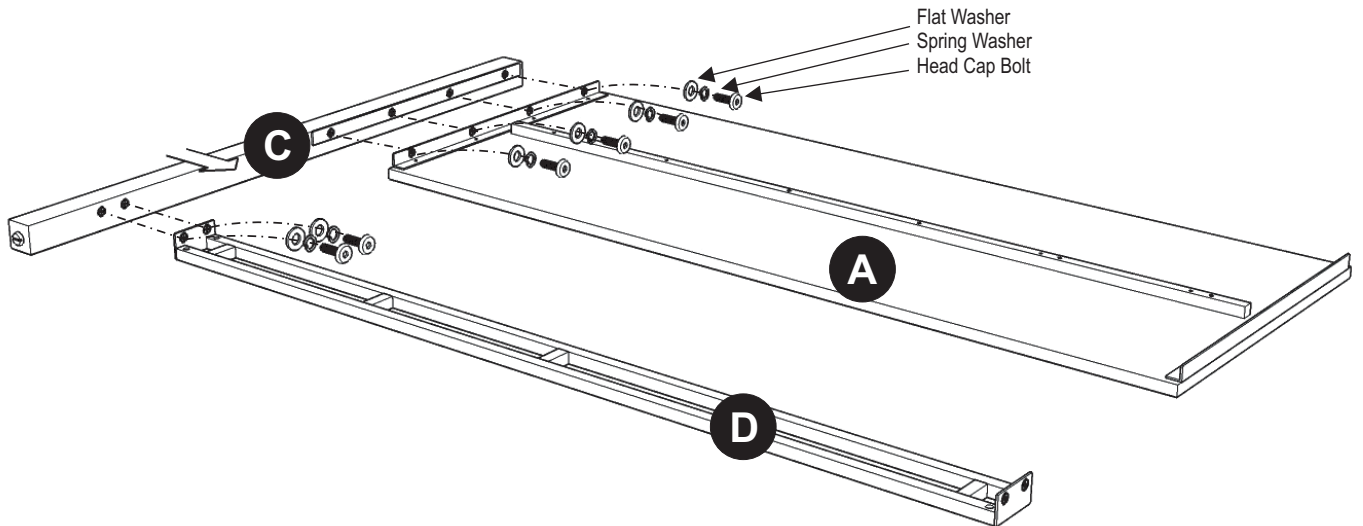
Flat Washer
12 pcs. (+1 extra)

Home Styles Consumer Assistance: www.homestyles-furniture.com,
servicedesk@homestyles-furniture.com, 888-680-7460, 877-831-0319

Assembly Instructions 2/2

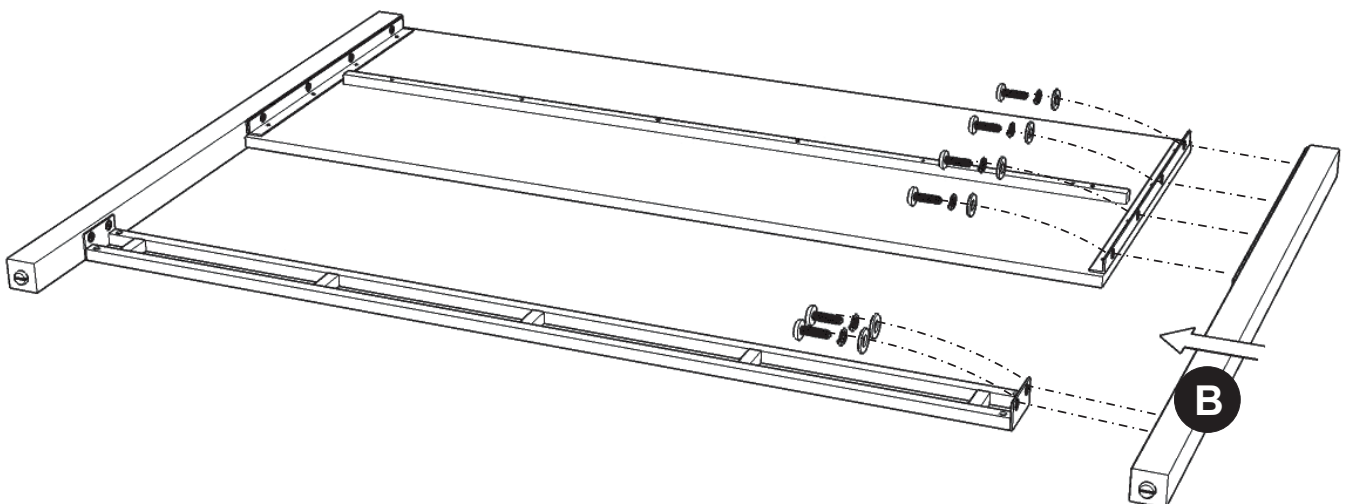
IMPORTANT

- * Do not tighten all the Head Cap Bolts until each part is properly assembled.
- * You should keep Hex Wrench in a safe place as you may need to tighten up the Head Cap Bolts in the future.
- * Use a soft cloth between these parts and the floor.



STEP 1

Attach Headboard (A) and Stretcher (D) to Leg (C) with Flat Washers, Spring Washers and Head Cap Bolts, tightening the bolts only half way.



STEP 2

Attach Leg (B) to unit with Flat Washers, Spring Washers and Head Cap Bolts, tightening the bolts only half way.

Tighten all Head Cap Bolts.