



OPERATOR'S MANUAL 18 VOLT BRUSHLESS HAMMER DRILL
MANUEL D'UTILISATION / PERCEUSE À PERCUSSION SANS BALAI DE 18 V
MANUAL DEL OPERADOR / TALADRO DE PERCUSIÓN SIN ESCOBILLAS DE 18 V
P251

To request service, purchase replacement parts,
locate an Authorized Service Center and obtain Customer or Technical Support:

Visit **www.ryobitools.com** or call **1-800-525-2579**

If any parts or accessories are damaged or missing,
do not return this product to the store. Call **1-800-525-2579** for immediate service.

Please obtain your model and serial number from the product data plate.
This product is covered under a 3-year limited Warranty. Proof of purchase is required.

MODEL NUMBER _____ SERIAL NUMBER _____

RYOBI is a registered trademark of Ryobi Limited and is used pursuant to a license granted by Ryobi Limited.

Pour faire une demande de réparations ou obtenir des pièces de rechange, trouver un
Centre de réparations agréé pour obtenir un soutien technique ou le Service à la clientèle :

Visiter **www.ryobitools.com** ou en téléphonant au **1-800-525-2579**

Si des pièces ou accessoires sont manquantes ou endommagées, ne pas retourner
ce produit au magasin. Appeler immédiatement au **1-800-525-2579** pour obtenir de l'aide.

Inscrire les numéros de modèle et de série inscrits sur la plaque d'identification du produit.
Ce produit est couvert par une garantie limitée de trois (3) ans. Une preuve d'achat est exigée.

NUMÉRO DE MODÈLE _____ NUMÉRO DE SÉRIE _____

RYOBI est une marque déposée de Ryobi Limited et est utilisée en vertu d'une licence accordée par Ryobi Limited.

Para obtener servicio, comprar piezas de repuesto, localizar un centro de servicio autorizado
y obtener Servicio o Asistencia Técnica al Consumidor:

Visite **www.ryobitools.com** (en la EE.UU.) o **www.ryobitools.mx** (en México)
o llame al **1-800-525-2579** (en la EE.UU.) o **01-800-843-1111** (en México).

Si hay alguna pieza o accesorios dañada o faltante, no devuelva este producto a la tienda.
Llame al **1-800-525-2579** (en la EE.UU.) o **01-800-843-1111** (en México) para servicio técnico inmediato.

Obtenga su modelo y número de serie de la placa de datos del producto.
Este producto está cubierto con una garantía limitada de 3 años. Se solicita prueba de la compra.

NÚMERO DE MODELO _____ NÚMERO DE SERIE _____

RYOBI es una marca registrada de Ryobi Limited y se utiliza conforme a una licencia otorgada por Ryobi Limited.

ONE WORLD TECHNOLOGIES, INC.

1428 Pearman Dairy Road, Anderson, SC 29625 • Phone 1-800-525-2579
États-Unis, Téléphone 1-800-525-2579 • USA, Teléfono 1-800-525-2579

www.ryobitools.com

**RYOBI STRING TRIMMER/EDGER
MODEL P2008
MFG NO. 107268001
REPAIR SHEET**

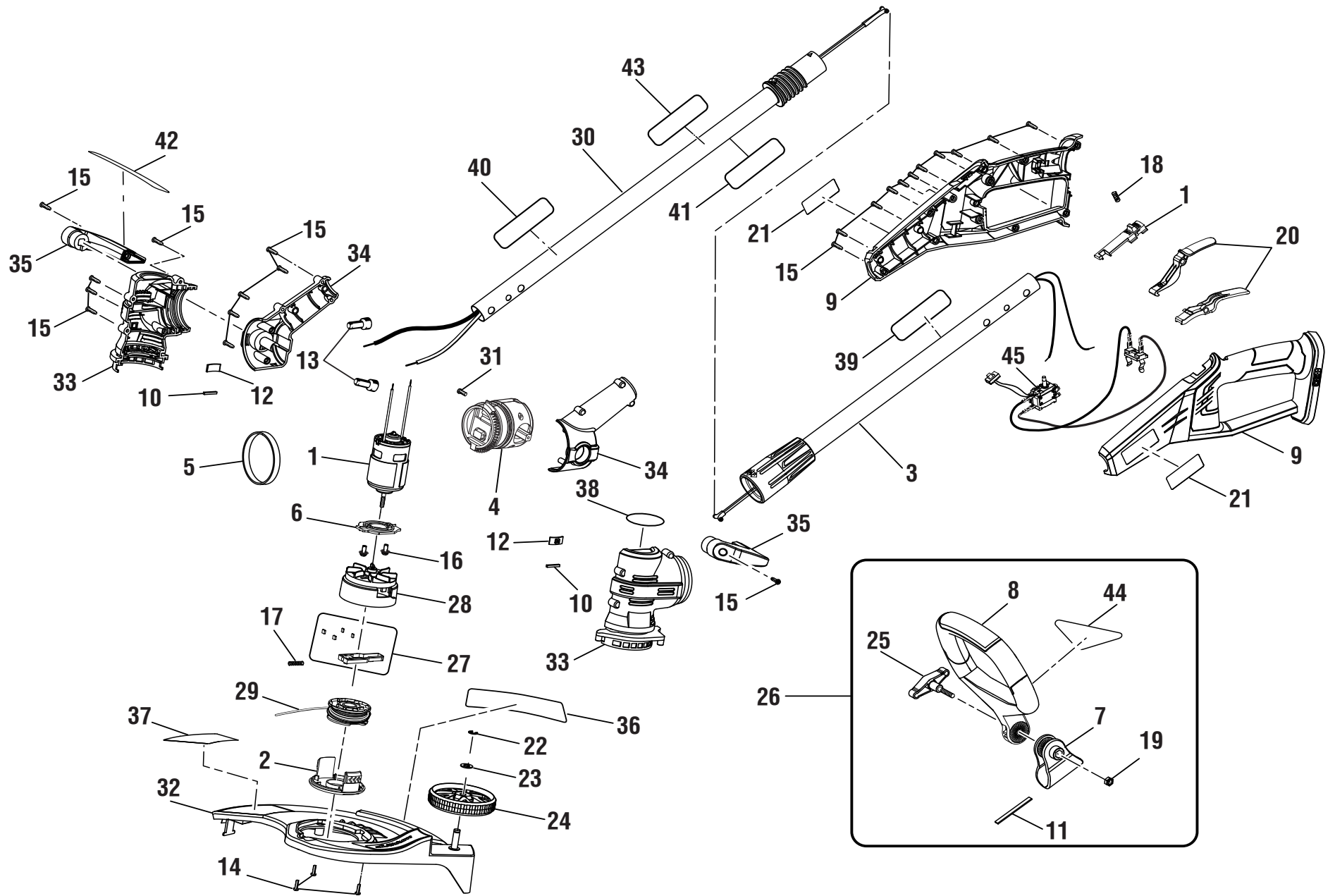
TECHTRONIC INDUSTRIES POWER EQUIPMENT

P.O. Box 1288

Anderson, SC 29622 USA

1-800-860-4050

RYOBI P2008 STRING TRIMMER/EDGER



RYOBI P2008 STRING TRIMMER/EDGER

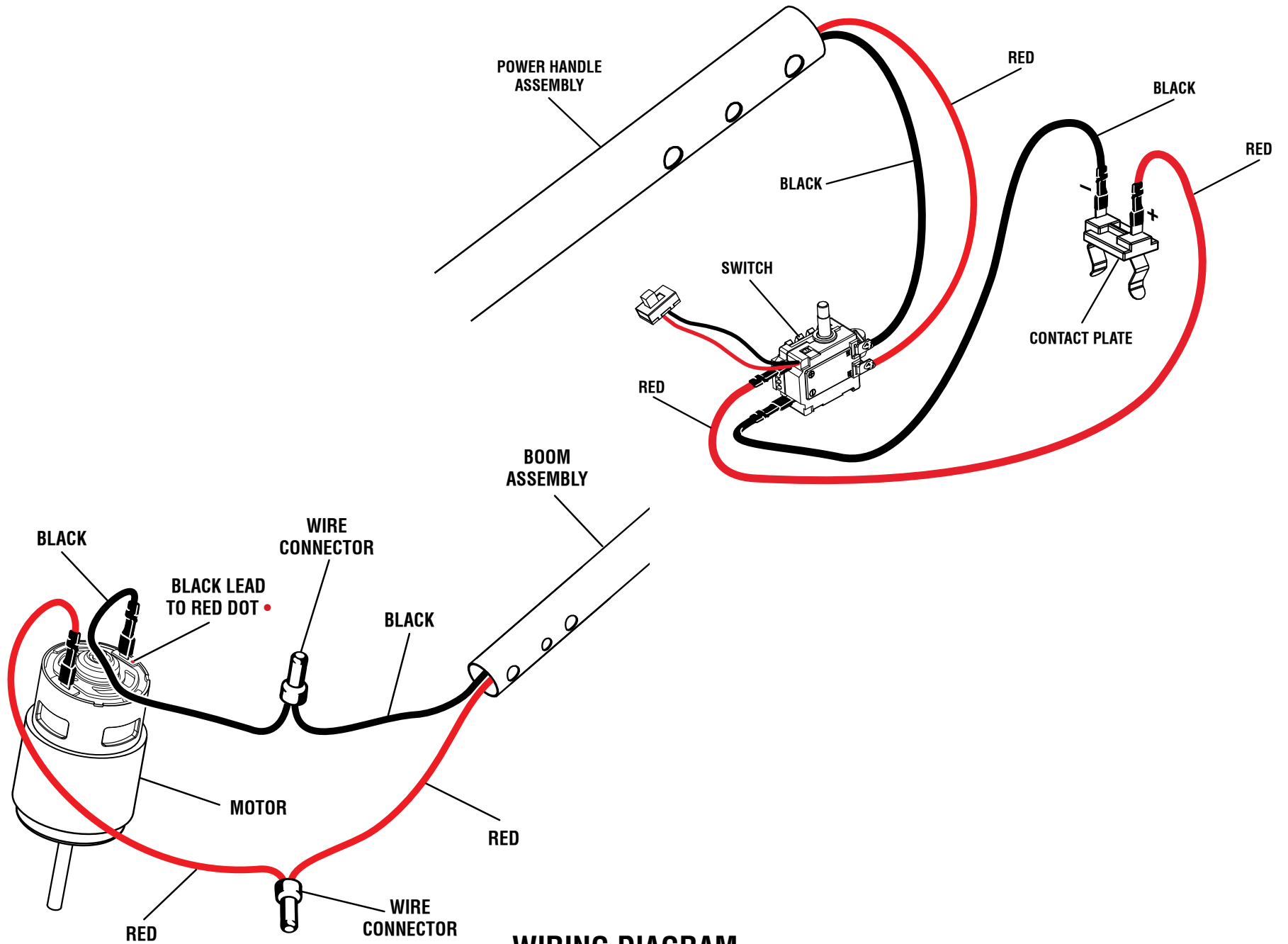
The model number will be found on a label attached to the upper boom. Always mention the model number in all correspondence regarding your **STRING TRIMMER/EDGER** or when ordering replacement parts.

PARTS LIST

| KEY NO. | PART NUMBER | DESCRIPTION | QTY | KEY NO. | PART NUMBER | DESCRIPTION | QTY |
|---------|-------------|---|-----|-------------------|--|---|-----|
| 1 | 742199001 | Motor | 1 | 26 | 351182001 | Auxiliary Handle Assembly (Inc. Key Nos. 7-8, 11, 19, 25 and 44) | 1 |
| 2 | *** | Spool Cap (Item No. AC14HCA) | 1 | 27 | 310920001 | Slider Assembly | 1 |
| 3 | 311746001 | Upper Tube and Wire Assembly (Inc. Key No. 39) | 1 | 28 | 524851002 | Spool Base w/Fan | 1 |
| 4 | 351109001 | Pivot Assembly | 1 | 29 | *** | Spool w/Line Assembly (Item No. AC14RL3) | 1 |
| 5 | 522923001 | Plastic Ring | 1 | 30 | 311747001 | Lower Tube Assembly (Inc. Key Nos. 40-41 and 43) ... | 1 |
| 6 | 522926001 | Motor Mounting Plate | 1 | 31 | 660004019 | Screw (M3 x 12 mm, Pan Hd.) | 1 |
| 7 | 522984001 | Handle Bracket | 1 | 32 | 351122001 | Guard Assembly (Inc. Key Nos. 36-37) | 1 |
| 8 | 351119001 | Front Handle (Inc. Key No. 44) | 1 | 33 | 351112001 | Motor Housing Assembly (Inc. Key No. 38) | 1 |
| 9 | 351113001 | Handle Housing Assembly (Inc. Key No. 21) | 1 | 34 | 351110001 | Lower Housing Assembly | 1 |
| 10 | 562079003 | Rubber Plate (Motor Plate) | 2 | 35 | 351106001 | Adjustment Pedal Assembly | 1 |
| 11 | 570112001 | Rubber Plate (Handle Bracket) | 1 | 36 | 940851102 | Auto Feed No Bump Label (Guard) | 1 |
| 12 | 570815001 | Rubber Plate (Motor) | 2 | 37 | 940851103 | Adjustable Cutting Width Label | 1 |
| 13 | 790009004 | Wire Connector | 2 | 38 | 940705309 | Motor Housing Label | 1 |
| 14 | 660208055 | Screw (M4 x 12 mm, Pan Hd.) | 3 | 39 | 941588104 | Data Label | 1 |
| 15 | 661817001 | Screw (M4 x 14 mm, T14 Torx Pan Hd.) | 23 | 40 | 940705310 | Ryobi 18 V Lithium Label | 1 |
| 16 | 660502002 | Screw w/Washer (M5 x 11 mm) | 2 | 41 | 940851101 | Warning Translation Label | 1 |
| 17 | 679034001 | Compression Spring (Internal Tooth) | 1 | 42 | 941773001 | Step For Edging Label | 1 |
| 18 | 679406001 | Compression Spring (Trigger) | 1 | 43 | 940657185 | Warning Icon Label | 1 |
| 19 | 680196006 | Hex Nut (M6) | 1 | 44 | 940851105 | Auto Feed No Bump Label (Handle) | 1 |
| 20 | 351183001 | Switch Trigger and Lock-off Trigger | 1 | 45 | 311895001 | Switch and Contact Plate Assembly | 1 |
| 21 | 940705308 | Logo Label | 2 | Not Shown: | | | |
| 22 | 679933001 | E-Ring | 1 | 311181001 | Flail Blade Cap Accessory (Item No. ACFHRL2) | | |
| 23 | 678587002 | Washer (OD16 x ID8.2 x 1.2t) | 1 | 991000677 | Operator's Manual | | |
| 24 | 522929001 | Roller | 1 | 8-3-18 | | | |
| 25 | 522983001 | Knob Bolt (M6 x 1 in.) | 1 | (Rev:04) | | | |

*** Standard Hardware Item – May Be Purchased Locally at The Home Depot

RYOBI P2008 STRING TRIMMER/EDGER

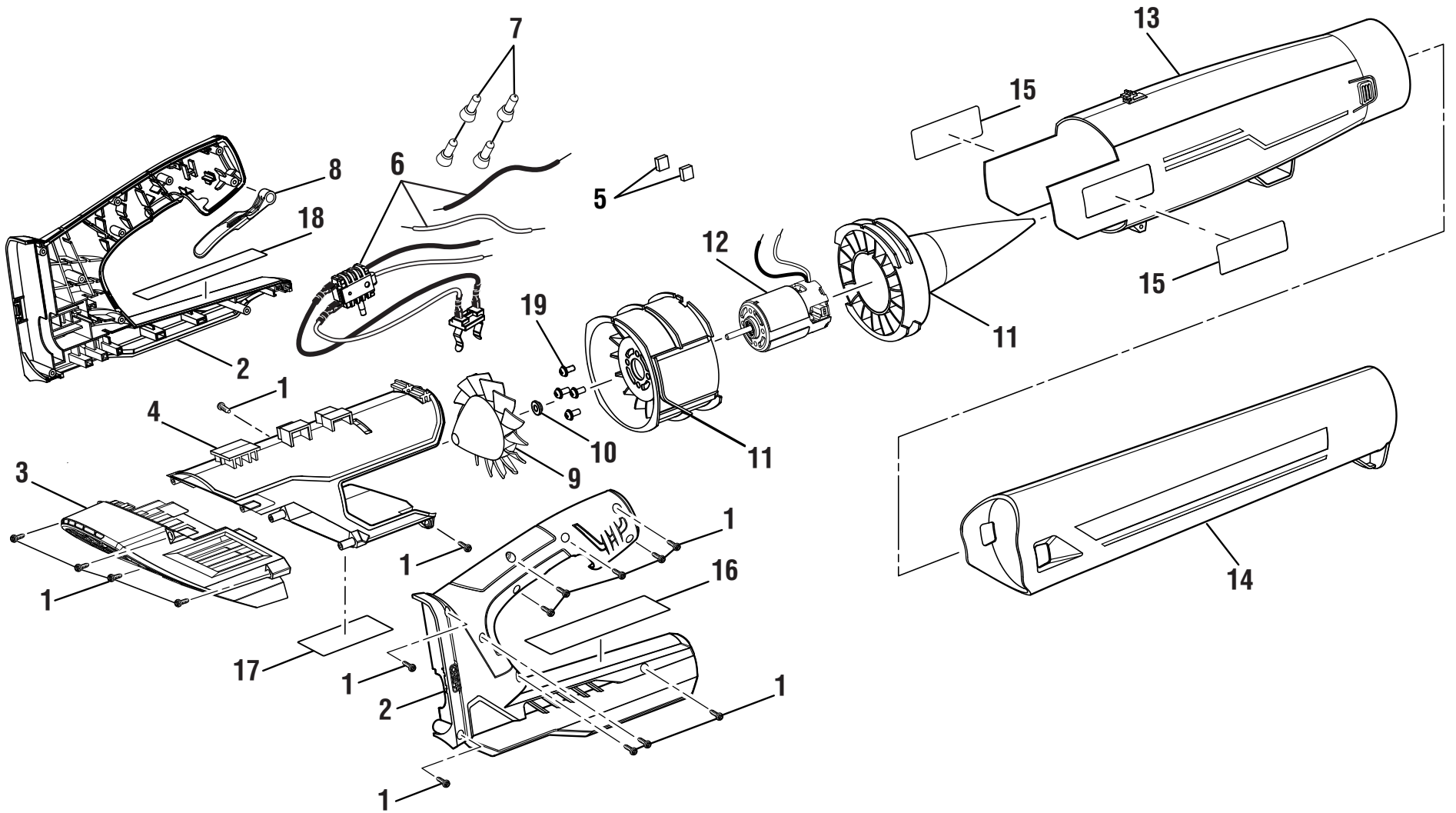


WIRING DIAGRAM

RYOBI
18 VOLT BLOWER
ITEM NOS. P2108/P21081
MFG NOS. 107267001/107267003
REPAIR SHEET

ONE WORLD TECHNOLOGIES, INC.
P.O. Box 1288, Anderson, SC 29622 • Phone 1-800-525-2579
www.ryobitools.com

RYOBI 18 VOLT BLOWER – ITEM NO. P2108/P21081



RYOBI 18 VOLT BLOWER – ITEM NO. P2108/P21081

The item number and manufacturing number will be found on a label attached to the housing. Always mention the item number and manufacturing number in all correspondence regarding your **BLOWER** or when ordering replacement parts.

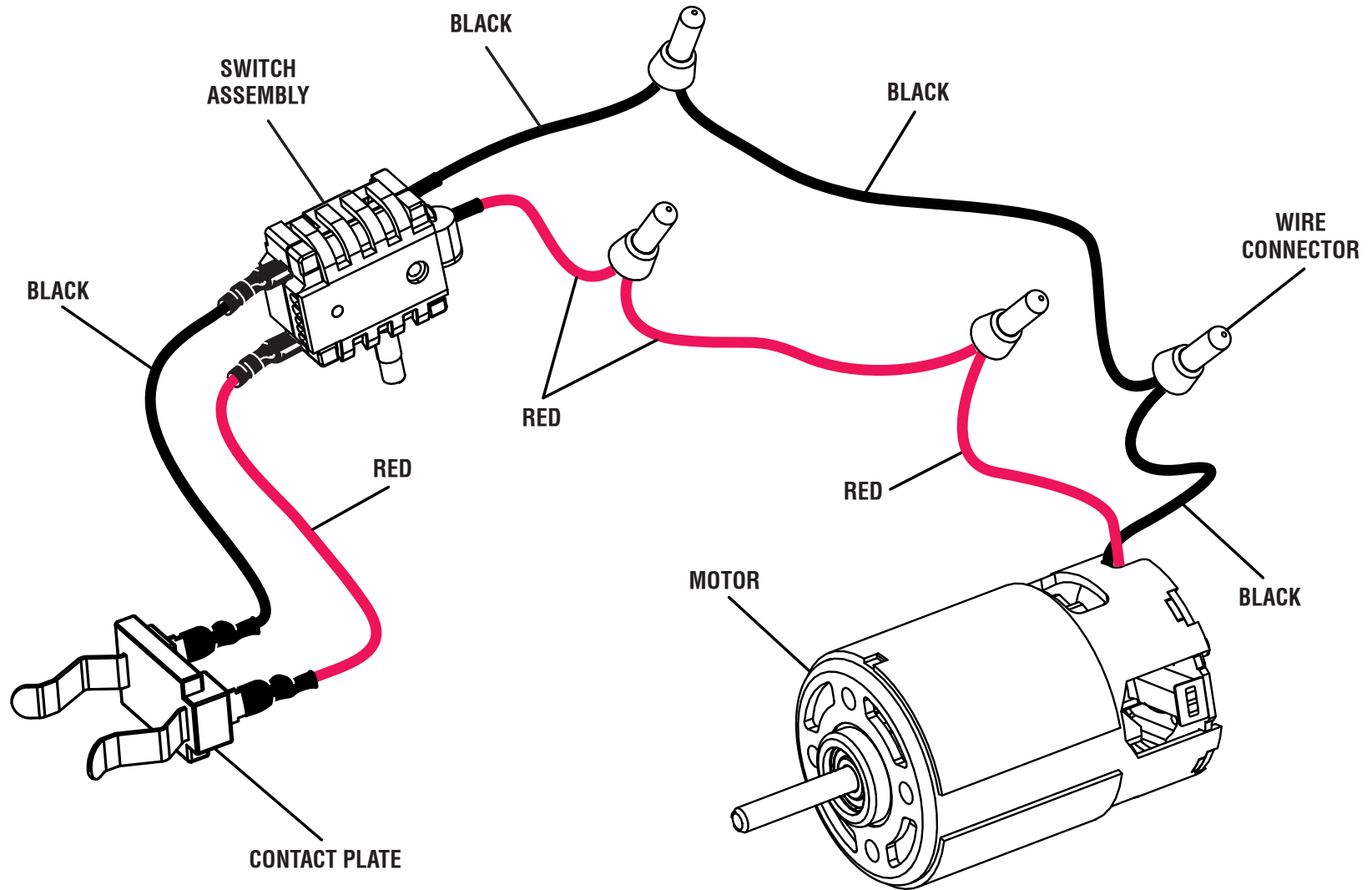
PARTS LIST

| KEY NO. | PART NUMBER | DESCRIPTION | QTY |
|----------------|--------------------|---|------------|
| 1 | 661817001 | Screw (M4 x 14 mm, T15 Torx Pan Hd.) | 16 |
| 2 | 330078001 | Handle Assembly (Inc. Key Nos. 16 and18)..... | 1 |
| 3 | 529436001 | Inlet Guard | 1 |
| 4 | 330080001 | Inlet Housing Assembly (Inc. Key No. 17)..... | 1 |
| 5 | 563768002 | Rubber Block | 2 |
| 6 | 291632001 | Switch and Contact Plate Assembly..... | 1 |
| 7 | 790021001 | Wire Connector | 4 |
| 8 | 525552001 | Trigger Assembly (Variable Speed) | 1 |
| 9 | 529437004 | Fan Blade..... | 1 |
| 10 | 612854001 | Bushing | 1 |
| 11 | 351074001 | Tail Cone Assembly..... | 1 |
| 12 | 742200001 | Motor..... | 1 |
| 13 | 330079001 | Blower Housing Outlet Assembly (Inc. Key No. 15)..... | 1 |
| 14 | 529431001 | Blower Tube | 1 |
| 15 | 940705307 | Logo Label (Ryobi)..... | 2 |
| 16 | 940657183 | Warning Label | 1 |
| 17 | 941588103 | Data Label (P2108)..... | 1 |
| | 941588169 | Data Label (P21081)..... | 1 |
| 18 | 940657184 | Warning Icon Label | 1 |
| 19 | 660502002 | Screw w/Washer (M5 x 11 mm, Pan Hd.)..... | 4 |

NOT SHOWN:

991000679 Operator's Manual
8-10-18
(Rev:04)

RYOBI 18 VOLT BLOWER – ITEM NO. P2108/P21081



WIRING DIAGRAM