

Features

- Top-mount
- Single compartment.
- Includes installation hardware.
- 20" (508 mm) x 20" (508 mm).
- Single hole.

Material

- 18-gauge stainless steel.

Components

Additional included component/s: 1036072 Installation hardware.



ADA

Codes/Standards

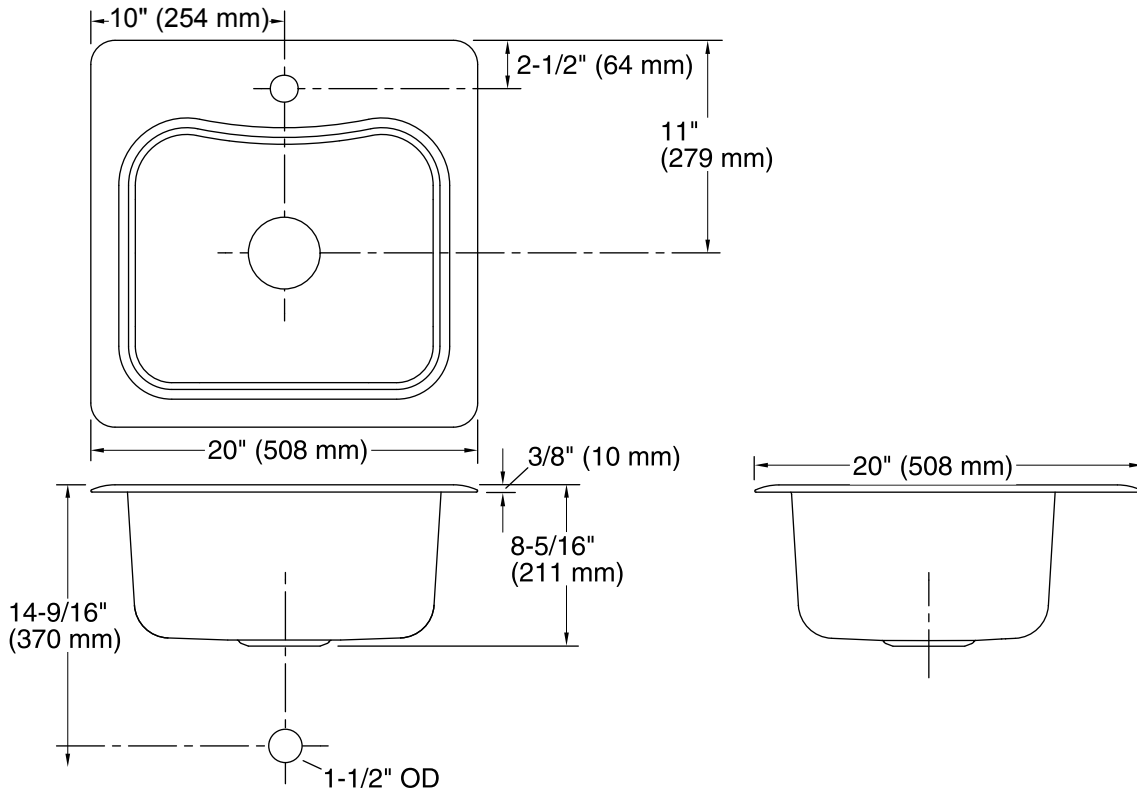
ASME A112.19.3/CSA B45.4

ADA

ICC/ANSI A117.1

KOHLER® One-Year Limited Warranty

See website for detailed warranty information.



Technical Information

All product dimensions are nominal.

Bowl configuration: Single

Installation: Top-mount

Cutout: Top-mount, 19-1/2" x 1" (495 mm x 25 mm) with 19-1/2" (495 mm) radius corners

Bowl area (Only): Length: 16-1/8" (410 mm)
Width: 13-9/16" (345 mm)
Water depth: 8" (203 mm)

Number of deck holes: 1

Faucet hole(s): 1-7/16" (37 mm)

Drain hole: 3-5/8" (92 mm)

Notes

Install this product according to the installation instructions.

ADA compliant when installed to the specific requirements of these regulations.