

Item # 739 268



Model # HD17557

## USE AND CARE GUIDE

---

### 2-Person Swing



Questions, problems, missing parts? Before returning to the store,  
call Hampton Bay Customer Service  
8:00 a.m. - 7:00 p.m., EST, Monday-Friday  
9:00 a.m. - 6:00 p.m., EST, Saturday

1-855-HD-HAMPTON

HAMPTONBAY.COM

---

#### THANK YOU

*We appreciate the trust and confidence you have placed in Hampton Bay through the purchase of this swing. We strive to continually create quality products designed to enhance your home. Visit us online to see our full line of products available for your home improvement needs. Thank you for choosing Hampton Bay!*

## Table of Contents

Table of Contents.....	2	Pre-Assembly.....	3-5
Safety Information.....	2	Planning Assembly.....	3
Warranty.....	2	Hardware Included.....	3
2 Year Frame Limited Warranty.....	2	Package Contents.....	4-5
2 Year Fabric Limited Warranty.....	2	Assembly.....	6-11
What Is Covered?.....	2		
What Is Not Covered?.....	2		
Care Instructions.....	2		

## Safety Information



**DANGER:** Keep children out of the assembly area before assembly.



**IMPORTANT:** Check the tightness of all bolts at least once every 90 days.



**WARNING:** Do not put heavy objects on the swing.

## Warranty

### 2 YEAR FRAME / 2 YEAR FABRIC LIMITED WARRANTY

#### WHAT IS COVERED

We warrant the frame to be free of manufacturing defects to the original purchaser for two years and the fabric for two years.

#### WHAT IS NOT COVERED

It remains the customer's responsibility for freight and packaging charges to and from our service center. This warranty does not cover commercial use, hardware, acts of nature, fire, freezing and abusive use. In addition, purchased parts are not covered under this warranty. We reserve the right to make substitutions with similar merchandise, if the model in question is no longer in production.

## Care Instructions

Before using, wipe with a clean, dry cloth. Do not use bleach or solvents. Treat the frame with liquid wax for maximum protection against UV light and salty, damp air. When not in use, store furniture in a cool, dry place. If the set includes cushions or mesh fabric, they may be cleaned by hand with a mild solution of soap and water. Rinse cushions thoroughly and allow to drip dry. Do not machine wash or tumble dry, as cushions may shrink. Do not use bleach or solvents on fabrics. When cleaning the swing make sure to use a soft clean cloth that does not bleed color.

You may contact our customer service department with any questions by phone at 1-855-HD-HAMPTON or visit [www.hamptonbay.com](http://www.hamptonbay.com).

# Pre-Assembly

## PLANNING ASSEMBLY

Assemble this product on a blanket, towel or other soft, non-abrasive surface to avoid scratching the finish.

## HARDWARE INCLUDED



NOTE: Hardware not shown to actual size.



\_\_\_AA



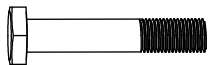
\_\_\_BB



\_\_\_CC



\_\_\_DD



\_\_\_EE



\_\_\_FF



\_\_\_GG



\_\_\_HH



\_\_\_II



\_\_\_JJ



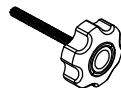
\_\_\_KK



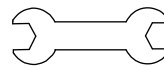
\_\_\_LL



\_\_\_MM



\_\_\_NN



\_\_\_OO



\_\_\_PP

Part	Description	Quantity
AA	Bolt (M6 x 15 mm)	12
BB	Bolt (M6 x 25 mm)	5
CC	Bolt (M6 x 30 mm)	6
DD	Bolt (M8 x 25 mm)	4
EE	Bolt (M8 x 70 mm)	4
FF	Metal Washer (M6)	23
GG	Metal Washer (M8)	8
HH	Nut (M8)	4

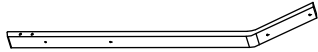
Part	Description	Quantity
II	Plastic Bolt Cap (M6)	23
JJ	Plastic Bolt Cap (M8)	8
KK	Plastic Nut Cap (M8)	4
LL	Spring Hook	2
MM	Anti-Skid Plastic	2
NN	Adjustment Knob	2
OO	Hex Wrench (M6+M8)	1
PP	Socket Wrench	1

# Pre-Assembly (continued)

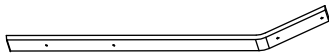
## PACKAGE CONTENTS



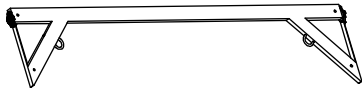
\_\_\_\_\_ A



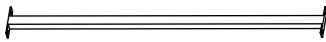
\_\_\_\_\_ B



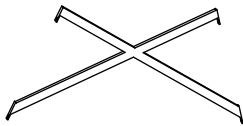
\_\_\_\_\_ C



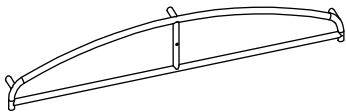
\_\_\_\_\_ D



\_\_\_\_\_ E



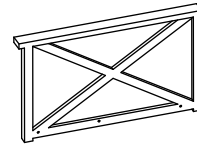
\_\_\_\_\_ F



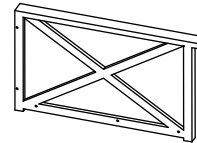
\_\_\_\_\_ G



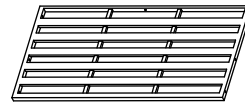
\_\_\_\_\_ H



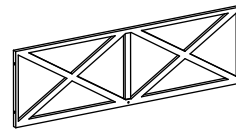
\_\_\_\_\_ I



\_\_\_\_\_ J



\_\_\_\_\_ K



\_\_\_\_\_ L



\_\_\_\_\_ M



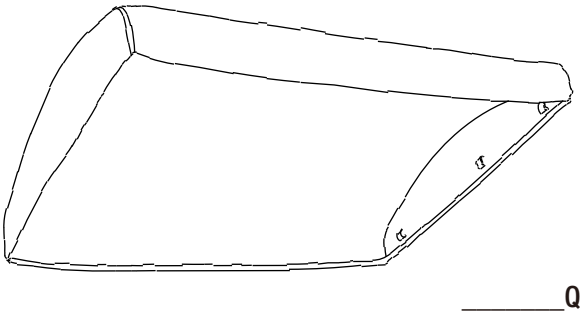
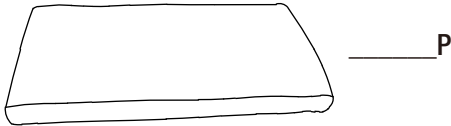
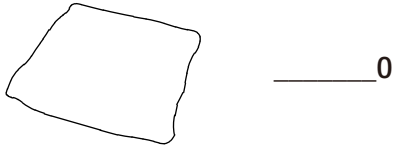
\_\_\_\_\_ N

Part	Description	Quantity
A	Back Leg (right when seated)	1
B	Back Leg (left when seated)	1
C	Front Leg	2
D	Top Support Bar	1
E	Back Leg Connector Bar	1
F	Side Connector Bar	2
G	Canopy Frame	2

Part	Description	Quantity
H	Canopy Connector Bar	3
I	Right Armrest	1
J	Left Armrest	1
K	Seat	1
L	Back	1
M	Long Hanging Bar	2
N	Short Hanging Bar	2

# Pre-Assembly (continued)

## PACKAGE CONTENTS

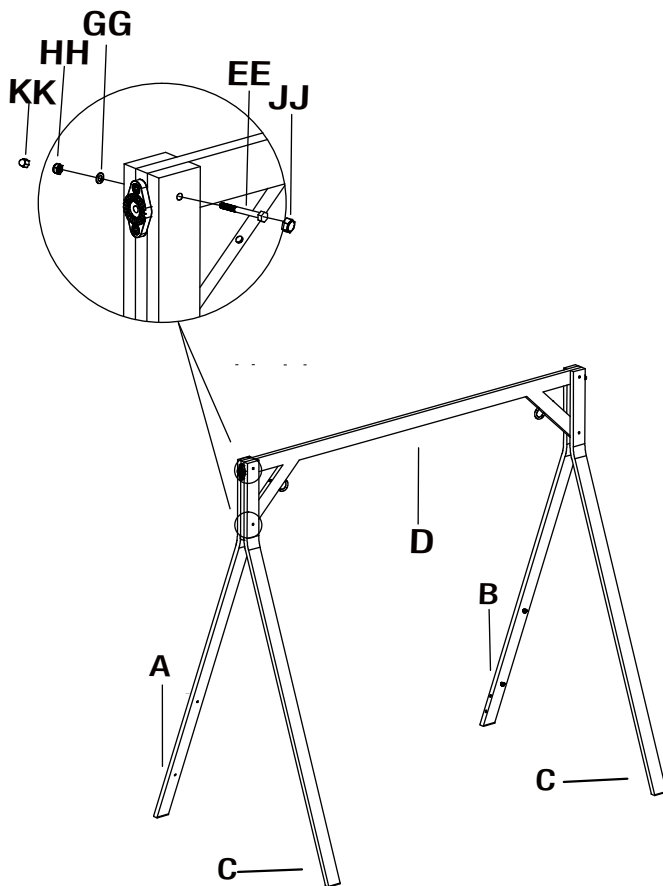


Part	Description	Quantity
O	Back Cushion	3
P	Seat Cushion	1
Q	Canopy	1

# Assembly

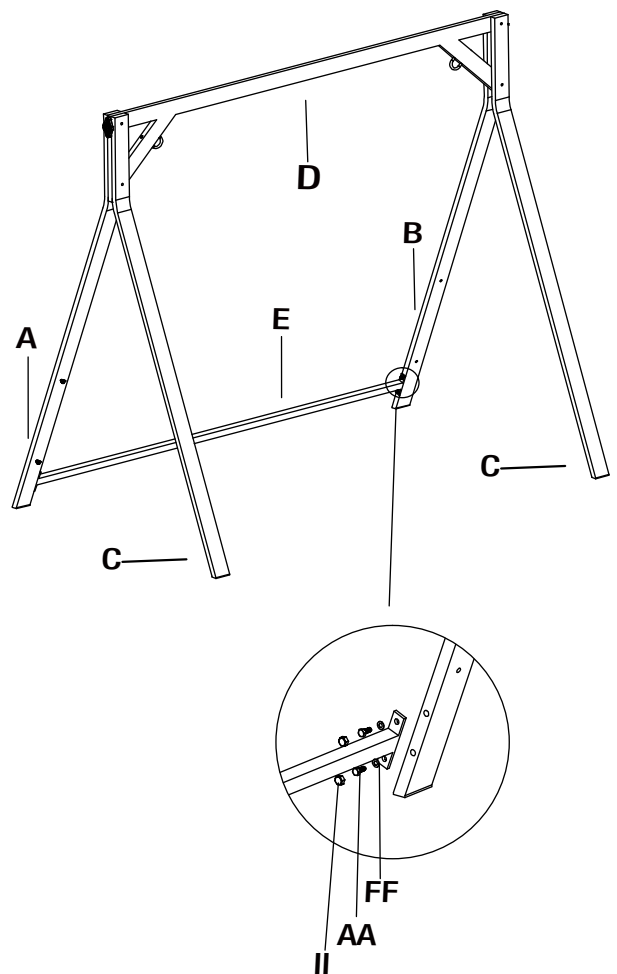
## 1 Attaching the top support bar to the back leg and front leg

- Carefully align the top holes of the back leg (A) and top support bar (D) and front leg (C). Attach in order, using bolts (EE) inserted from front leg (C) through top support bar (D); back legs (A); metal washers (GG) and nuts (HH).
- Repeat for the other side to attach the back leg (B), front leg (C), and top support bar (D).
- Tighten the bolts and cover the bolts and nuts with caps (JJ and KK).



## 2 Attaching the back leg connector bar to the back legs

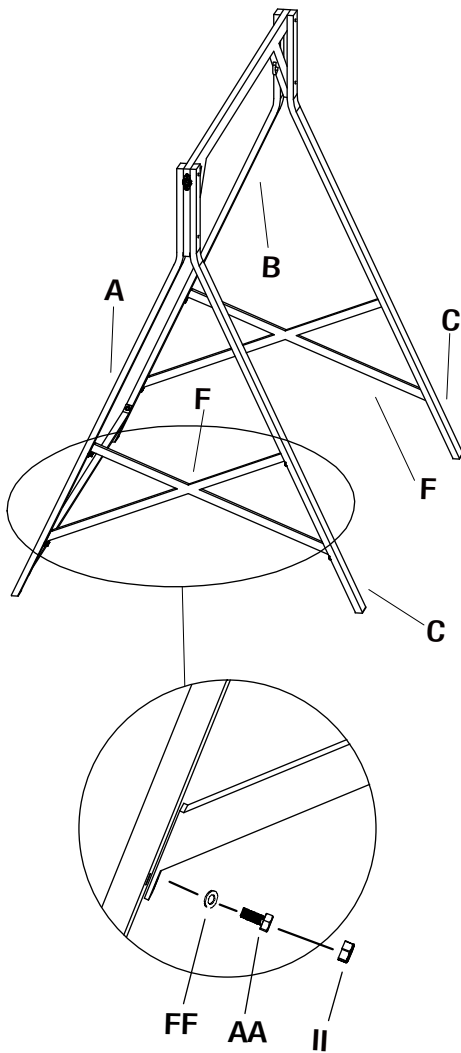
- Attach the back leg connector bar (E) to the back legs (A & B) by inserting bolts (AA) with metal washers (FF). Tighten the bolts, and cover with plastic bolt caps (II).



## Assembly (continued)

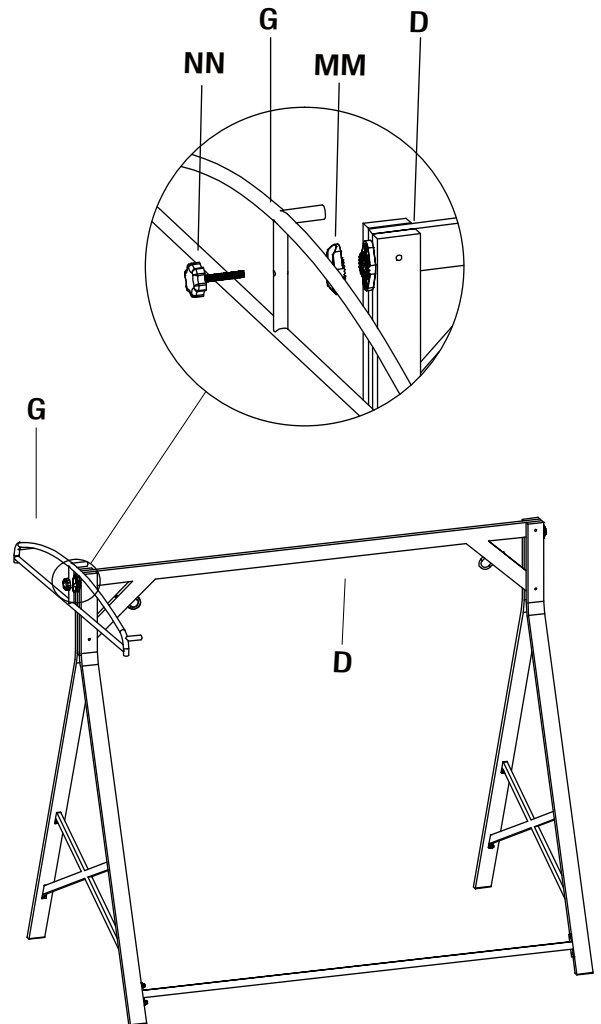
### 3 Attaching the side connector bar to the legs

- Attach the side connector bar (F) to the front leg (C) and back leg (A) by inserting bolts (AA) with metal washers (FF).
- Repeat the previous steps with the other side.
- Tighten the bolts and cover with plastic bolt caps (II).



### 4 Attaching the canopy frame

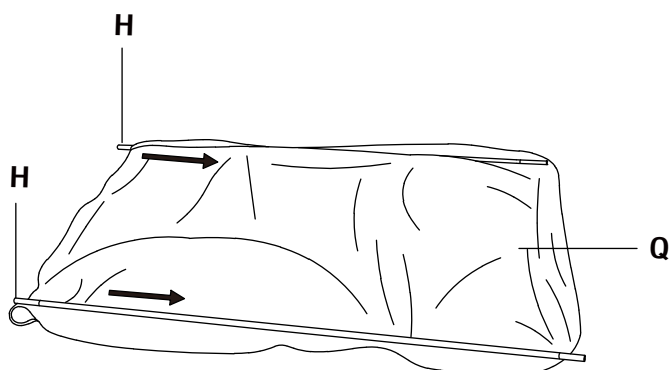
- Attach the canopy frame (G) to the top support bar (D) using the adjustment knob (NN) inserted through the canopy frame (G), anti-skid plastic (MM) and into the support bar (D). Tighten the adjustment knob (NN).



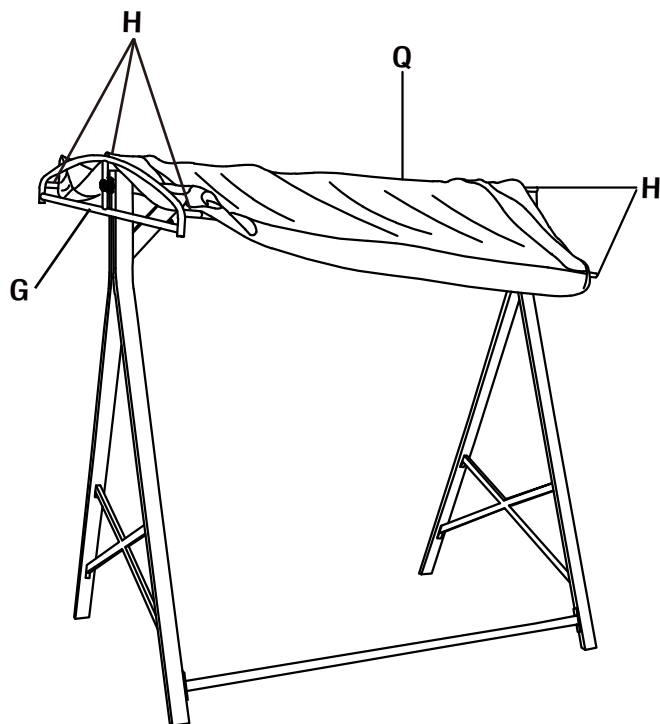
## Assembly (continued)

### 5 Attaching the canopy connector bar and the canopy frame

- Insert two canopy connector bars (H) through front and back sleeves on the canopy cover (Q).

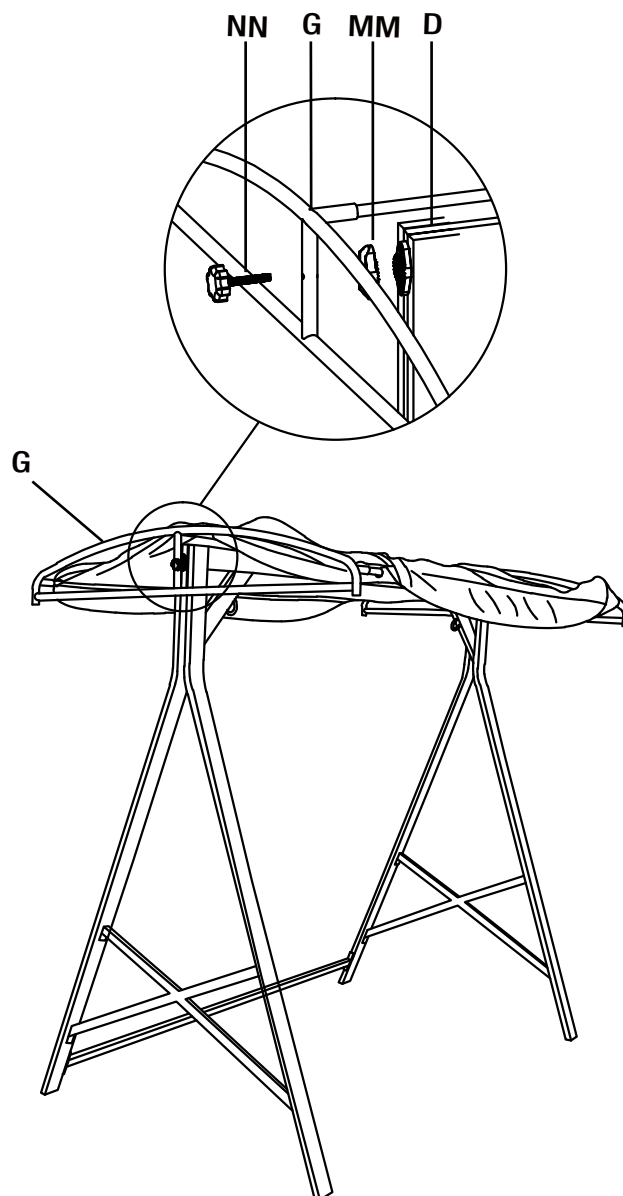


- Slide the third canopy connector bar (H) into the middle hole of canopy frame (G).
- With help of the another person, slide the other two connector bars (H) with the canopy cover (Q) into the front and back holes on the canopy frame (G).



### 6 Attaching the other side of the canopy frame

- Repeat step 4 to attach the other canopy frame (G).
- With the help of another person, slide connector bars (H) with the canopy cover (Q) into the front and back holes on the canopy frame (G).





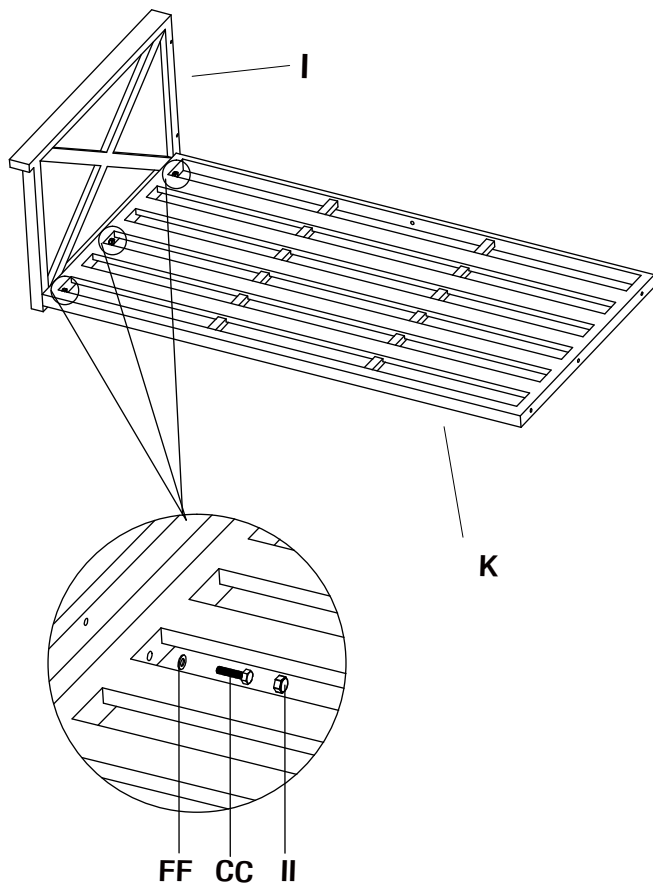
## Assembly (continued)

### 7 Attaching the right armrest to the seat

- Attach the right armrest (I) to the seat (K) by inserting bolts (CC) with metal washers (FF).



**IMPORTANT:** Do not tighten completely until assembly is completed.

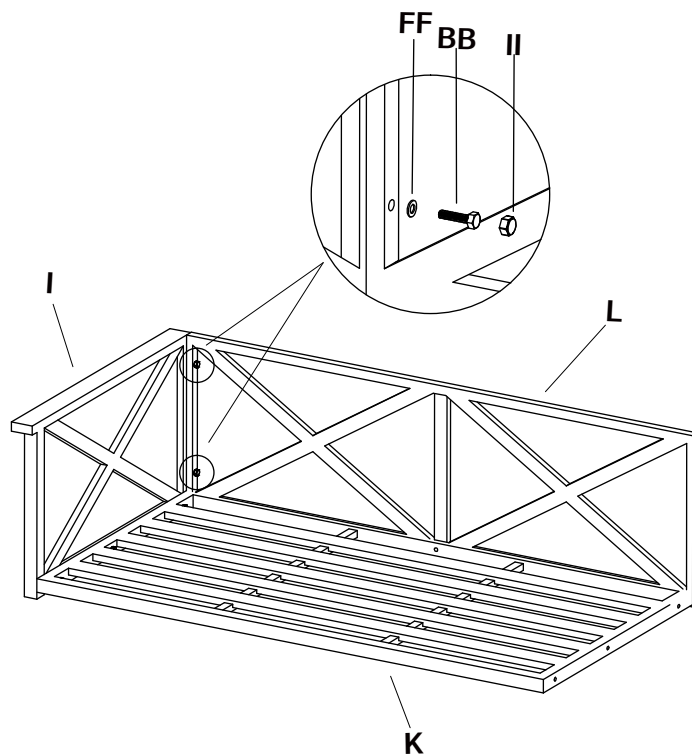


### 8 Attaching the back to the right armrest and seat

- Attach the back (L) to the right armrest (I) and seat (K) by inserting bolts (BB) with metal washers (FF).



**IMPORTANT:** Do not tighten completely until assembly is completed.



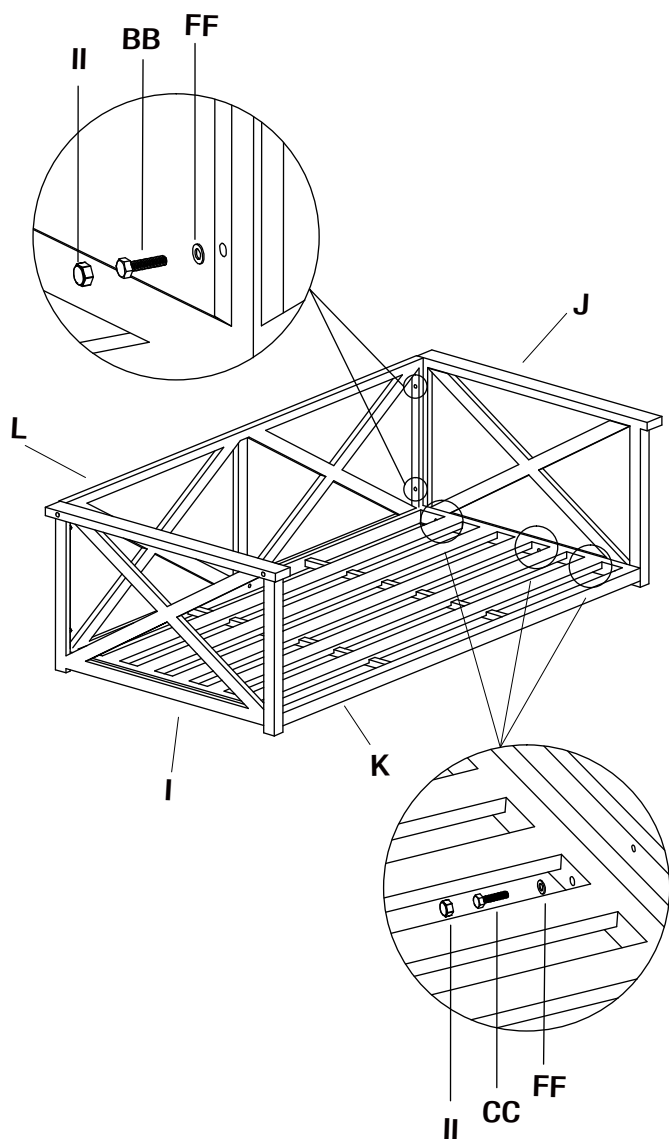
## Assembly (continued)

### 9 Attaching the left armrest to the back and seat

- Attach the left armrest (J) to the back (L) and seat (K) by inserting bolts (BB) with metal washers (FF).

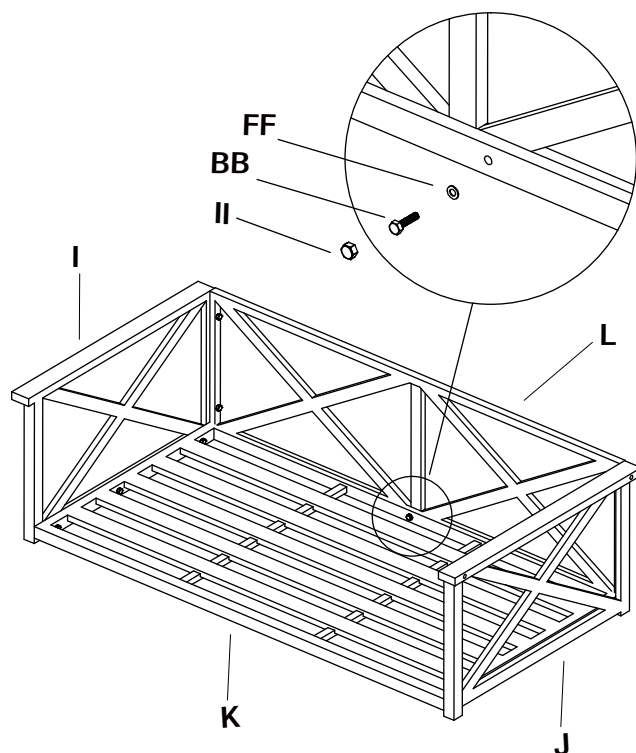


**IMPORTANT:** Do not tighten completely until assembly is completed.



### 10 Reinforcing the back and seat

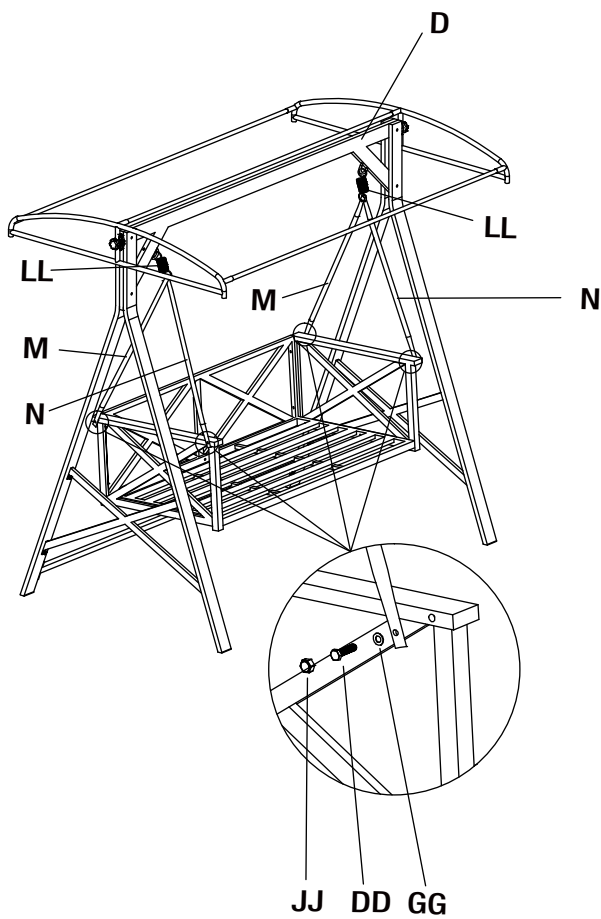
- Insert bolts (BB) with metal washers (FF) through the predrilled holes on the seat (K) into the back (L).
- Tighten the bolts and cover them with bolt caps (II).



## Assembly (continued)

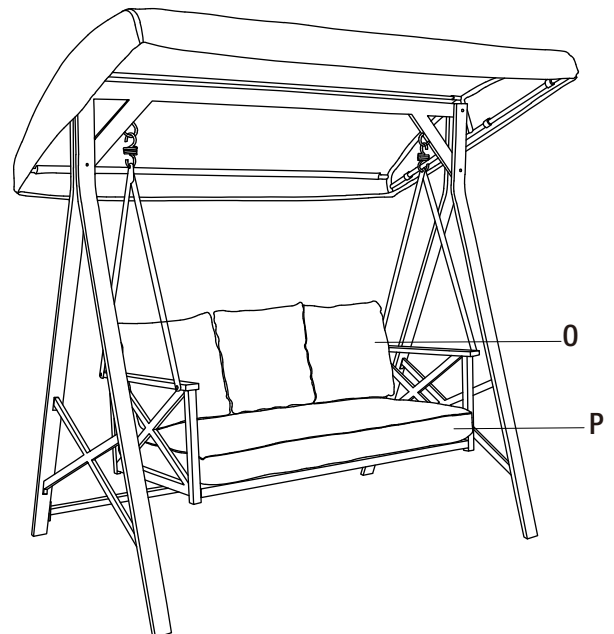
### 11 Attaching the swing seat with the long & short seat connector bar

- Attach the seat connector long bar (M) to the completed swing seat, using bolts (EE) with metal washers (HH) through the seat connector long bar (M), metal washers (HH) and the holes on the back corner of the seat.
- Attach the seat connector short bar (N) to the completed swing seat, using bolts (EE) with metal washers (HH) through the seat connector short bar (N), metal washers (HH) and the holes on the front corner of the seat.
- Place the four seat connector bars to the top support bar (D) using the spring hooks (LL).



### 12 Placing the seat and back cushion

- Place the seat cushion (P) and back cushion (O) on the swing and attach with Velcro.
- You swing is now ready for use, so relax & enjoy!





Questions, problems, missing parts? Before returning to the store,  
call Hampton Bay Customer Service  
8:00 a.m. - 7:00 p.m., EST, Monday-Friday  
9:00 a.m. - 6:00 p.m., EST, Saturday

1-855-HD-HAMPTON

HAMPTONBAY.COM

Retain this manual for future use.