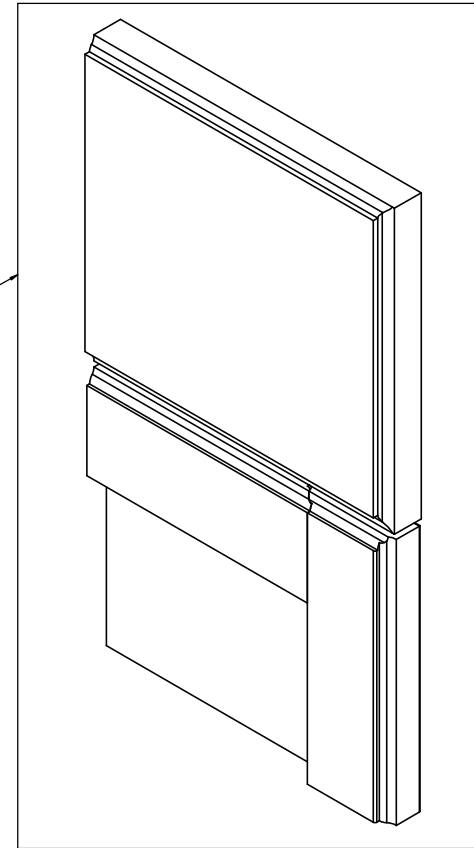
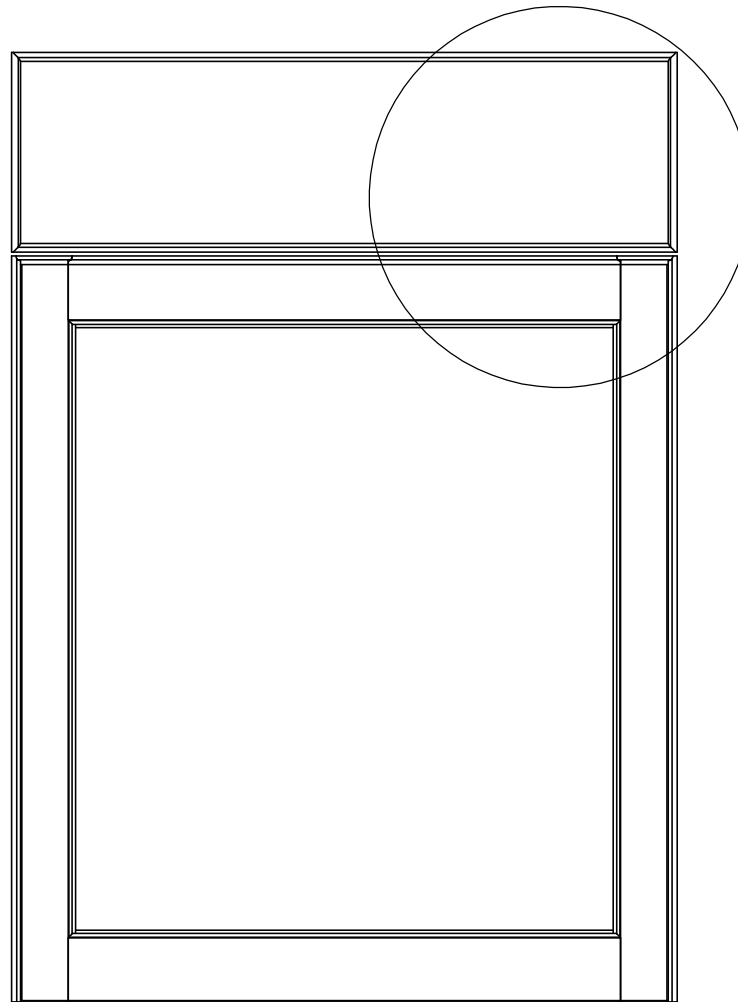


Item ID	Front Thickness [in] mm	Door Thickness [in] mm
EH2135B-GB	[.75] 19	[.75] 19

**This profile
belongs to
EH2135B-GB**



Detailed View

Profile: Easthaven German Beech

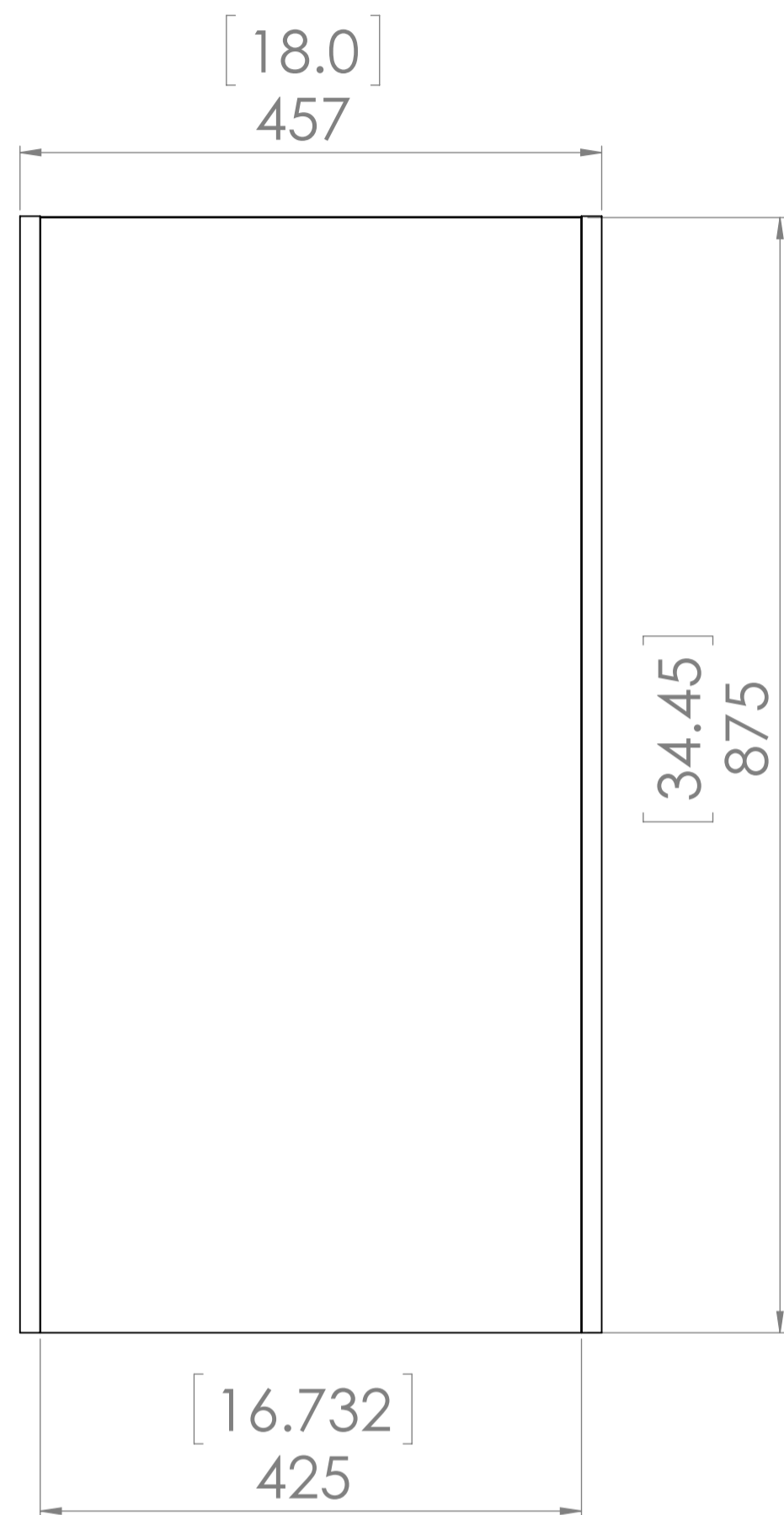
PROPRIETARY AND CONFIDENTIAL
THE INFORMATION
CONTAINED IN THIS DRAWING
IS THE SOLE PROPERTY OF
WOODCRAFTERS. ANY
REPRODUCTION IN PART OR
AS A WHOLE WITHOUT THE
WRITTEN PERMISSION OF
WOODCRAFTERS IS
PROHIBITED.

UNLESS OTHERWISE
SPECIFIED
DIMENSIONS ARE IN
MM AND [INCHES]
TOLERANCES ARE
+.039[1]-.039[1]
SCALE:1:2

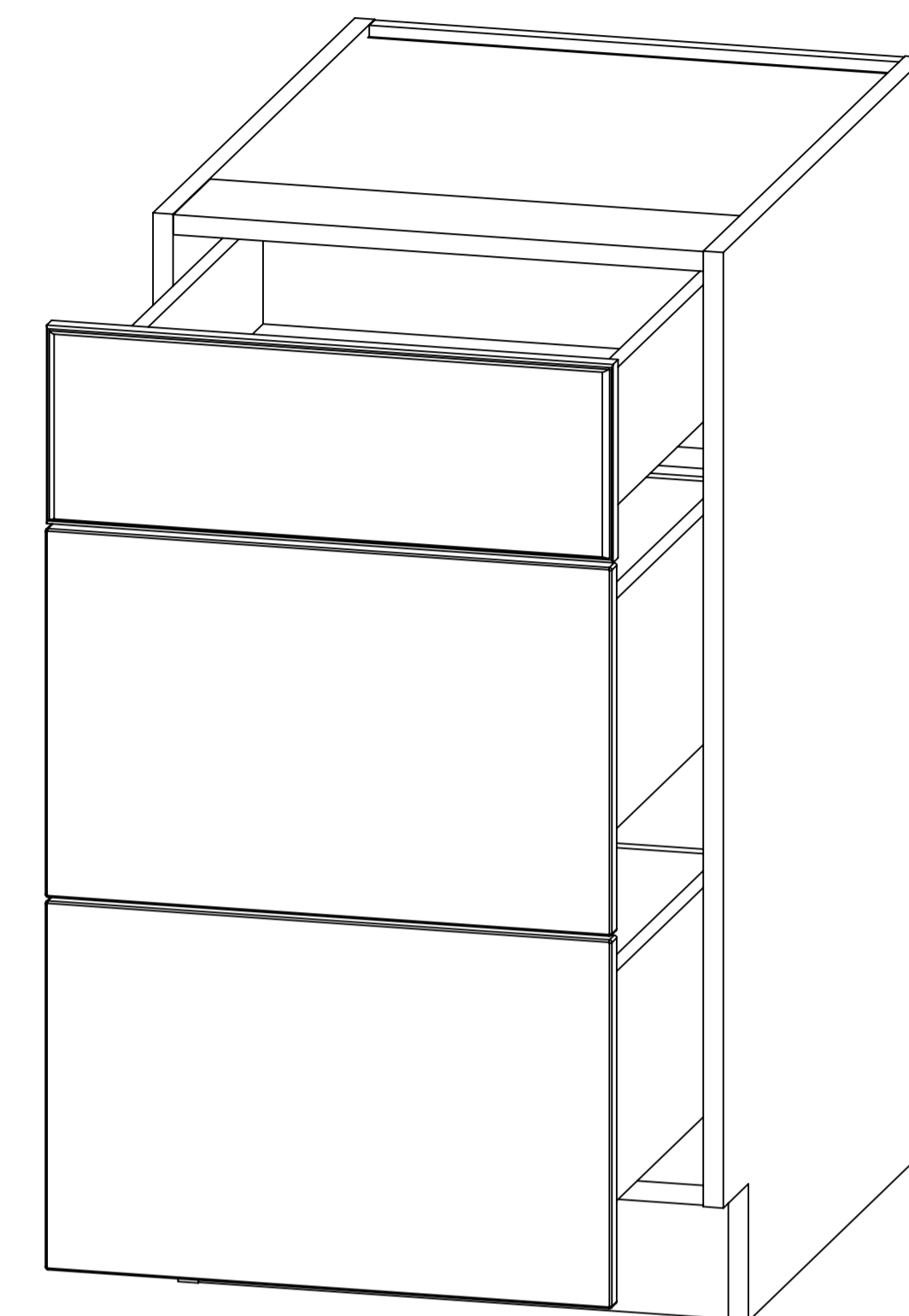
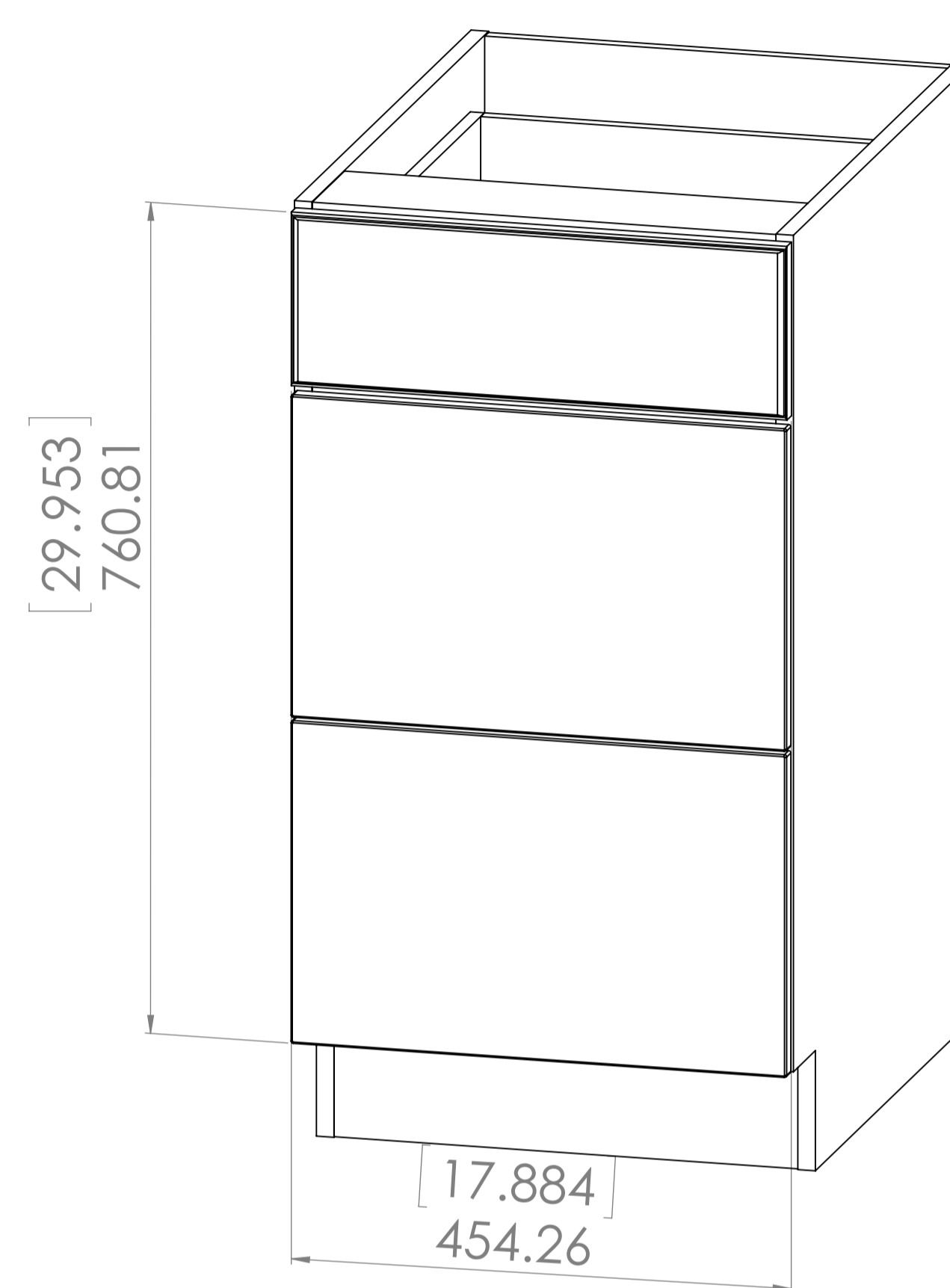


Item ID	Shelf Thickness [in] mm	Shelf Length and Width [in] mm	Depth "X" [in] mm
BT1835D-BT	N/A	N/A	[24.60] 625
BT1835D-WH	N/A		[24.44] 621
CM1835D-DK	N/A		[24.60] 625
CM1835D-WH	N/A		[24.44] 621
EH1835D-GB	N/A		[24.60] 625
BT1835D-RC	N/A		[24.60] 625
CM1835D-KG	N/A		[24.44] 621

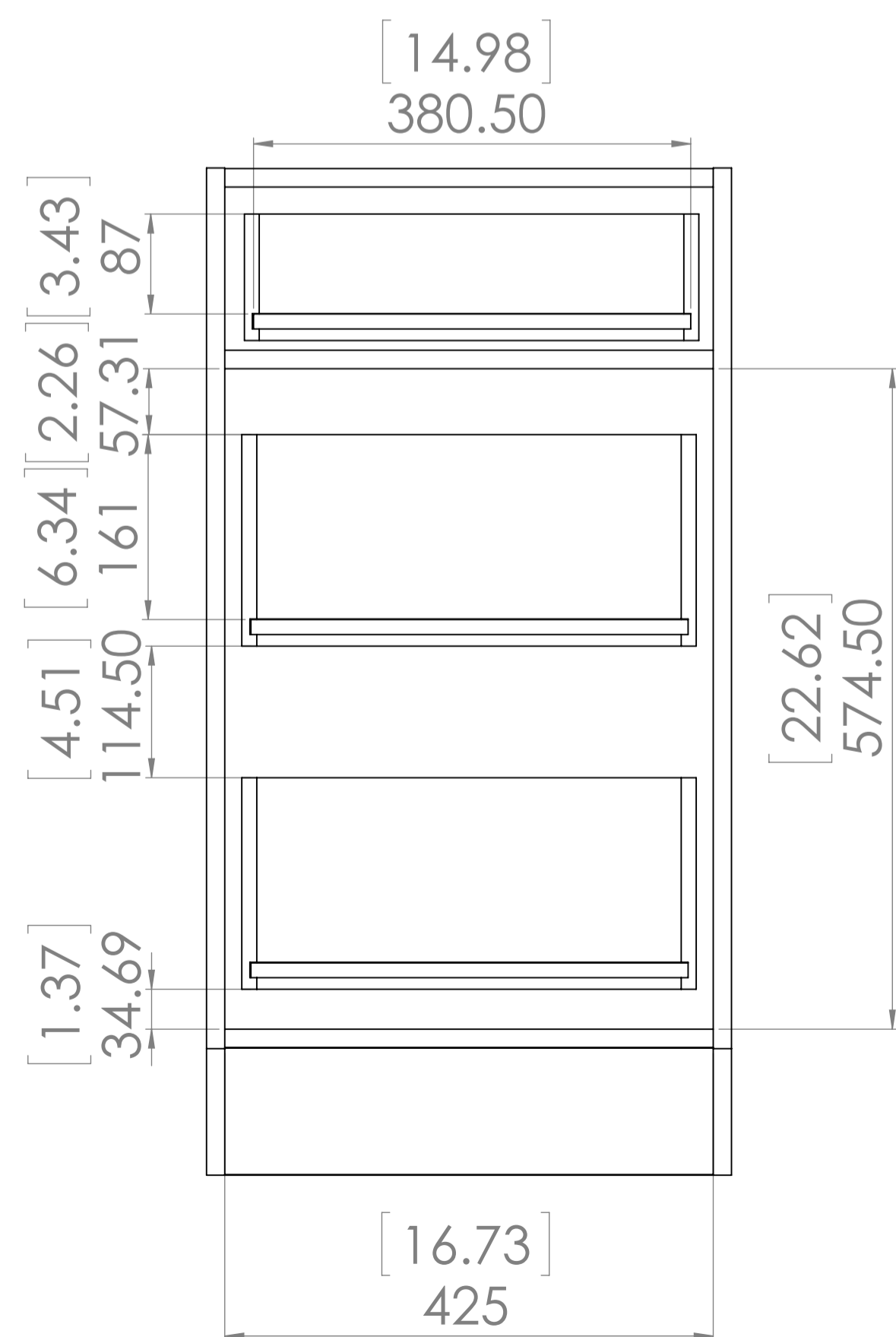
Description					
Kitchens - Drawer Base Cabinet 18 with 3 Drawers					
REV	ECO#	Description	REV'D BY DATE	CHK'D BY DATE	APRV'D BY DATE
3		Structural Change	07/25/18	07/25/18	07/25/18



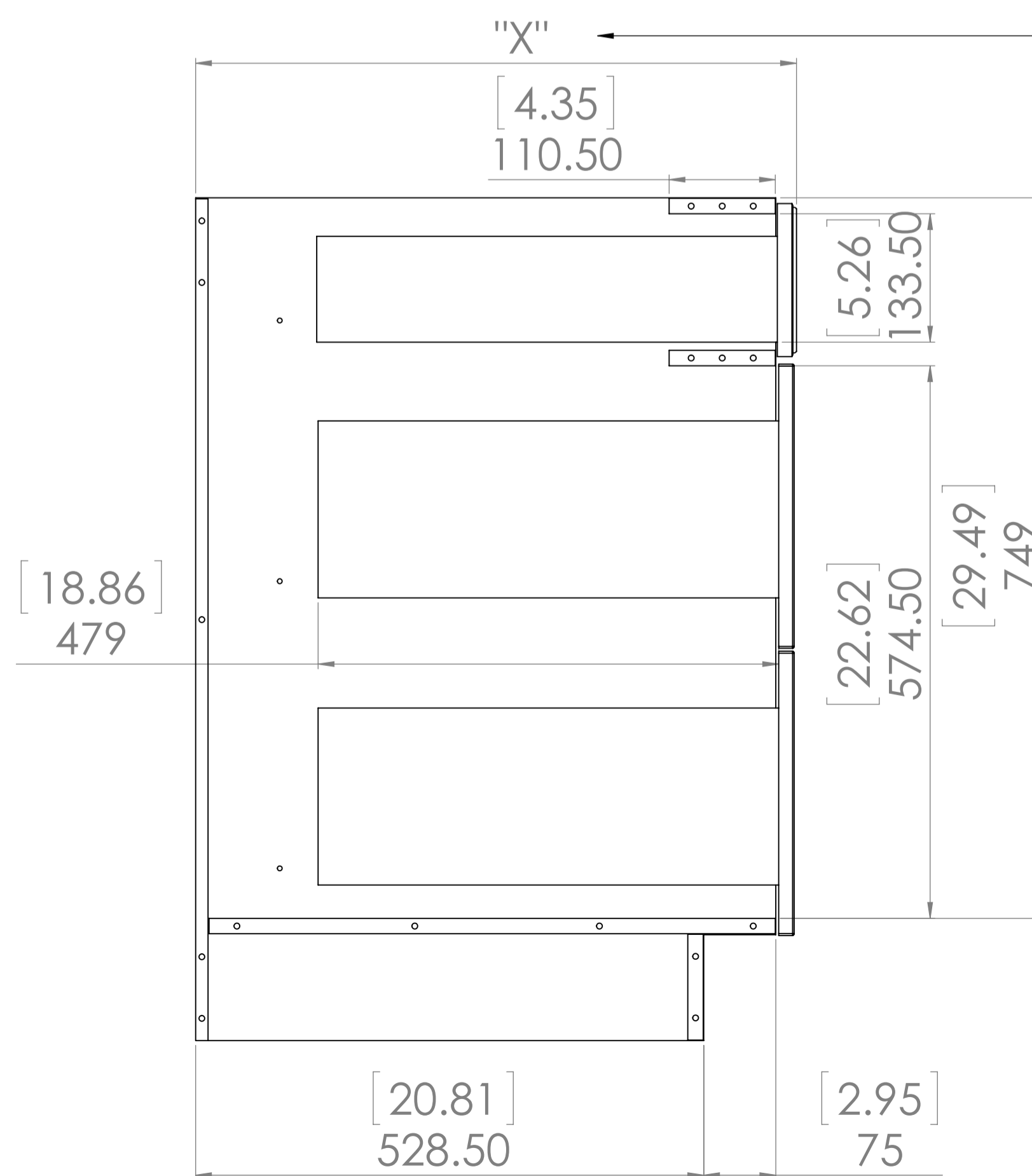
Back View



Isometric View




**Front View
(front door removed)**



Depth "X" depends on door profile

**Side View
(left panel removed)**

	NAME	SIGNATURE	DATE	MATERIAL:	
DRAWN	R. Rubio		11/09/17	Plywood CM-WH.	
CHK'D	R. Rubio		11/09/17	Particle Board the	
APPV'D	R. Rubio		11/09/17	other Cabinets.	
MFG	R. Rubio		11/09/17		
PROPRIETARY AND CONFIDENTIAL THE INFORMATION CONTAINED IN THIS DRAWING IS THE SOLE PROPERTY OF WOODCRAFTERS. ANY REPRODUCTION IN PART OR AS A WHOLE WITHOUT THE WRITTEN PERMISSION OF WOODCRAFTERS IS PROHIBITED.				UNLESS OTHERWISE SPECIFIED DIMENSIONS ARE IN mm. AND [INCHES] TOLERANCES ARE +/- 1[0.039] SCALE: 1:5	Drawer_Base_18in SCALE: 1:5 SHEET 1 OF 1