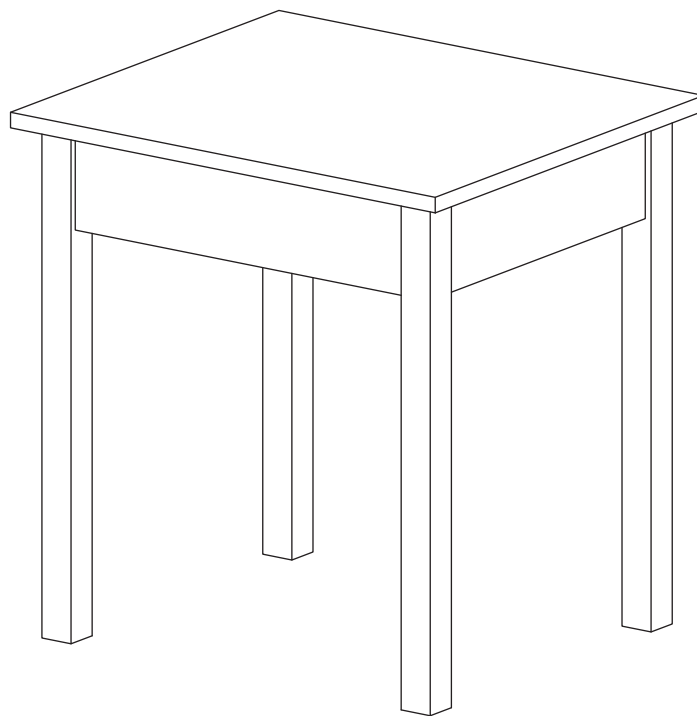


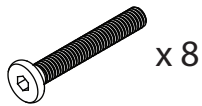
Assembly Instructions

Item# 615-1X

Kennedy End Table with Concealed Drawer



Hardware



x 8

Screw
RF10034



x 8

Spring Washer
RF40193



x 8

Washer
RF40197



x 1

Allen Key
RF40105

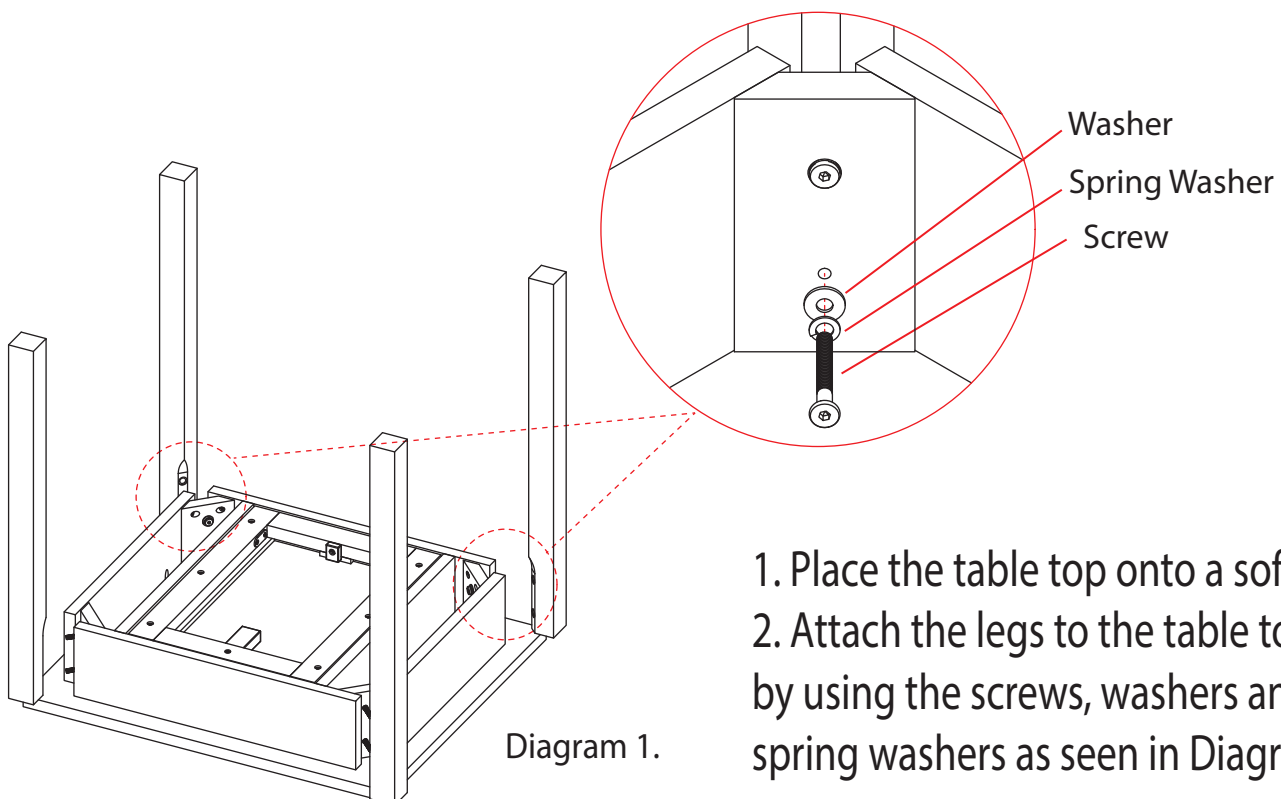


Diagram 1.

1. Place the table top onto a soft surface.
2. Attach the legs to the table top by using the screws, washers and spring washers as seen in Diagram 1.

WARNING. The hidden compartment is not a SECURITY SAFE. The inner contents in the hidden compartment are the sole responsibility of the user and are to be stored at the user's discretion. Regardless of loss, seizure, damage, or changes in condition to the inner contents of the hidden compartment, the manufacturer is not liable for the contents stored in the hidden compartment.

How to use the concealed drawer

