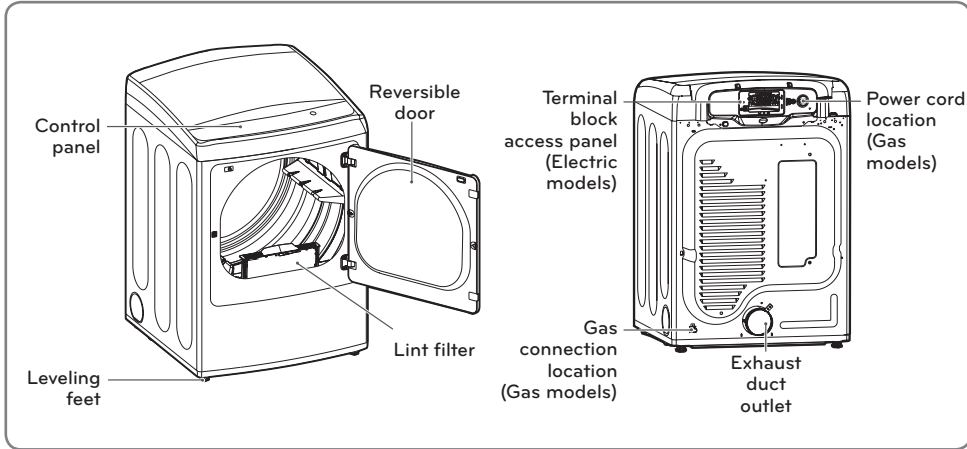


INTRODUCING YOUR DRYER

Parts

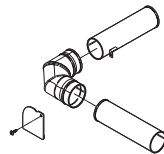


Accessories

Optional accessories



Drying rack



Side vent kit (sold separately)
Kit No. 383EEL9001B

NOTE

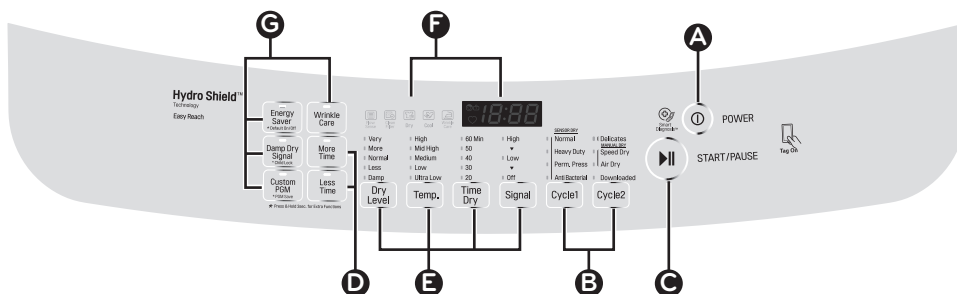
- Contact LG Customer Service at 1-800-243-0000 (1-888-542-2623 in Canada) if any accessories are missing.
- For your safety and for extended product life, use only authorized components. The manufacturer is not responsible for product malfunction or accidents caused by the use of separately purchased unauthorized components or parts.
- The images in this owner's manual may be different from the actual components and accessories, and are subject to change by the manufacturer without prior notice for product improvement purposes.

Control Panel Features

Following are instructions for starting and using your new dryer. Please refer to specific sections of this manual for more detailed information.

⚠ WARNING

To reduce the risk of fire, electric shock, or injury to persons, read this entire manual, including the Important Safety Instructions, before operating this dryer.



A POWER ON/OFF BUTTON

Press to turn the dryer ON. Press again to turn the dryer OFF.

! NOTE

Pressing the ON/OFF button during a cycle will cancel that cycle and any load settings will be lost.

B CYCLE BUTTONS

Press the Cycle button repeatedly to scroll through the cycle selections until the desired cycle is selected. The standard presets for the selected cycle will be shown in the display. On MANUAL DRY cycles, these settings can be adjusted using the cycle setting buttons anytime before starting the cycle.

C START/PAUSE BUTTON

Press this button to start the selected cycle. If the dryer is running, use this button to pause the cycle without losing the current settings.

! NOTE

If you do not press the START/PAUSE button to resume a cycle within 4 minutes, the dryer turns off automatically.

D MORE TIME/LESS TIME BUTTONS

Use these buttons with the Time Dry and other MANUAL DRY cycles to adjust the drying time. Press the More Time button to increase the selected manual dry cycle time by one minute; press Less Time to decrease the cycle time by one minute.

E CYCLE SETTING BUTTONS

Use these buttons to select the desired cycle settings for the selected cycle. The current settings are shown in the display. Press the button for that option to select other settings.

F TIME AND STATUS DISPLAY

The display shows the settings, estimated time remaining, options, and status messages for your dryer.

G OPTION BUTTONS

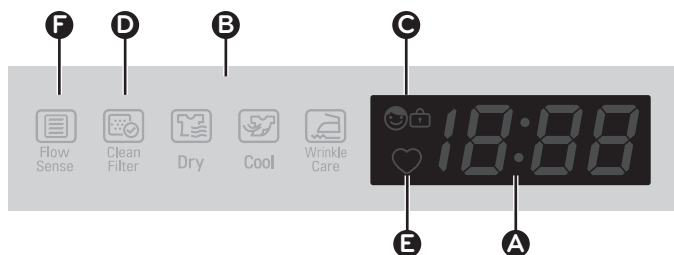
The option buttons allow you to select additional cycle options. Certain buttons also allow you to activate special functions by pressing and holding the button for 3 seconds.

Display

The display shows the settings, estimated time remaining, options, and status messages for your dryer. When the dryer is turned on, the lights in the display will illuminate.

⚠️ WARNING

To reduce the risk of fire, electric shock, or injury to persons, read this entire manual, including the Important Safety Instructions, before operating this dryer.



A ESTIMATED TIME REMAINING

This display shows the estimated time remaining for SENSOR DRY cycles or the actual time remaining for Time Dry or MANUAL DRY cycles.

! NOTE

The cycle time on SENSOR DRY cycles may fluctuate as the dryer recalculates drying time for optimal results.

D CLEAN FILTER REMINDER

The display will show Clean Filter when the dryer is turned on as a reminder to check the filter. It turns off when the START/PAUSE button is pressed.

B CYCLE COMPLETION INDICATOR WITH CHECK FILTER REMINDER

This portion of the display shows which stage of the drying cycle is currently underway (Dry, Cool).

E CUSTOM PROGRAM

If you have a special combination of settings that you use frequently, you can save these settings as a Custom Program.

C CHILD LOCK INDICATOR

When Child Lock is set, the Child Lock indicator will appear and all buttons are disabled except the POWER button. This prevents children from changing settings while the dryer is operating.

F Flow Sense™ DUCT BLOCKAGE SENSING SYSTEM INDICATOR

The Flow Sense™ duct blockage sensing system detects and alerts you to blockages in the ductwork that reduce exhaust flow from the dryer. Maintaining a clean exhaust system improves operating efficiency and helps minimize service calls, saving your money.