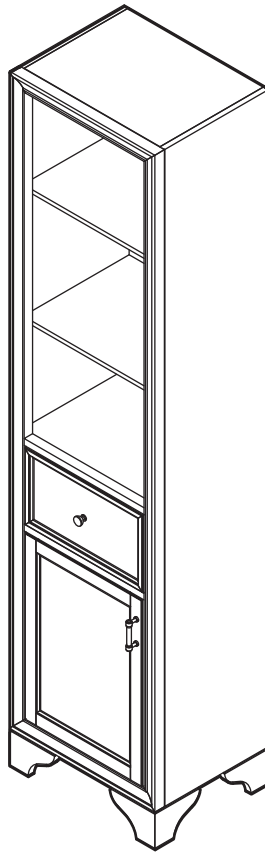


USE AND CARE GUIDE

HAZELTON LINEN CABINET



Questions, problems, missing parts? Before returning to the store,
call Home Decorators Collection Customer Service
8 a.m. - 7 p.m., EST, Monday-Friday, 9 a.m. - 6 p.m., EST, Saturday

1-800-986-3460

HOMEDEPOT.COM/HomeDecorators


THANK YOU

We appreciate the trust and confidence you have placed in Home Decorators Collection through the purchase of this cabinet. We strive to continually create quality products designed to enhance your home. Visit us online to see our full line of products available for your home improvement needs. Thank you for choosing Home Decorators Collection!

Table of Contents

Table of Contents.....	2	Assembly.....	4
Safety Information.....	2	Maintenance.....	6
Lifetime Limited Warranty.....	2	Care and Cleaning.....	6
Pre-Assembly.....	3		
Tools Required.....	3		
Hardware Included.....	3		
Package Contents.....	3		

Safety Information

 **WARNING:** Handle with care. Do not drop, handle roughly, or overtighten screws as this will cause damage to the wood.

NOTICE: Observe local plumbing and building codes.

Warranty

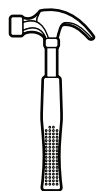
Home Decorators Collection products are manufactured with superior quality standards and workmanship and are backed by a 1-Year Manufacturer's warranty. Home Decorators Collection products are warranted to the original consumer purchaser to be free of defects in materials or workmanship. We will replace FREE OF CHARGE any product or parts that proves defective. Simply, return the product / part to any of The Home Depot retail locations or call 1-800-986-3460 to receive the replacement item. Proof of purchase (original sales receipt) from the original consumer purchaser must be made available for all Home Decorators Collection warranty claims.

This warranty excludes incidental/inconsequential damages and failures due to misuse, abuse or normal wear and tear. This warranty excludes all industrial, commercial & business usage, whose purchasers are hereby, extended a five year limited warranty from the date of purchase, with all other terms of this warranty applying except the duration of warranty.

Some states and provinces do not allow the exclusion or limitation of incidental or consequential damages, so the above limitations may not apply to you. This warranty gives you specific legal rights and you may also have other rights that vary from state to state and province to province. Please see a store or contact 1-800-986-3460 for more details.

Pre-Assembly

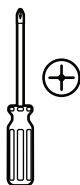
TOOLS REQUIRED



Claw hammer



Pencil



Phillips screwdriver



Tape measure

HARDWARE INCLUDED



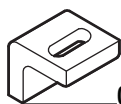
NOTE: Hardware not shown to actual size.



AA



BB



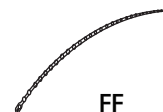
CC



DD



EE

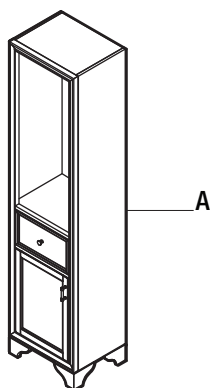


FF

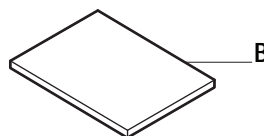
Part	Description	Quantity
AA	Shelf pin	12
BB	Short screw	1
CC	Bracket	2

Part	Description	Quantity
DD	Anchor	1
EE	Long screw	1
FF	Tie	1

PACKAGE CONTENTS



A



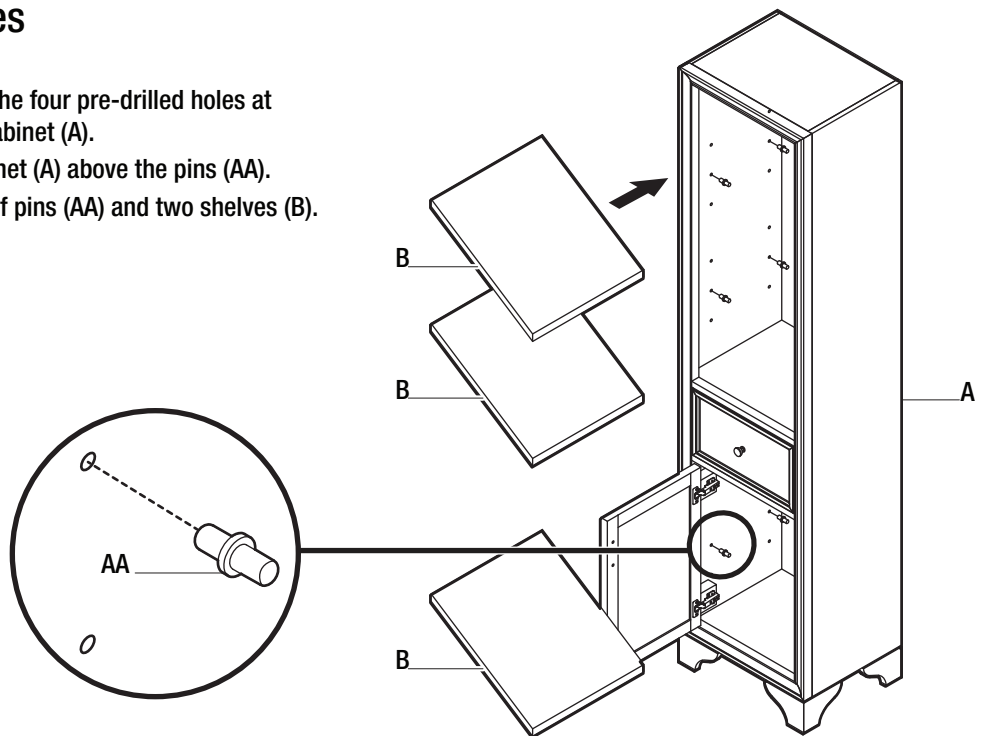
B

Part	Description	Quantity
A	Linen cabinet	1
B	Shelf	3

Assembly

1 Installing the shelves

- Insert four shelf pins (AA) into the four pre-drilled holes at the desired height inside the cabinet (A).
- Slide the shelf (B) into the cabinet (A) above the pins (AA).
- Repeat with the remaining shelf pins (AA) and two shelves (B).

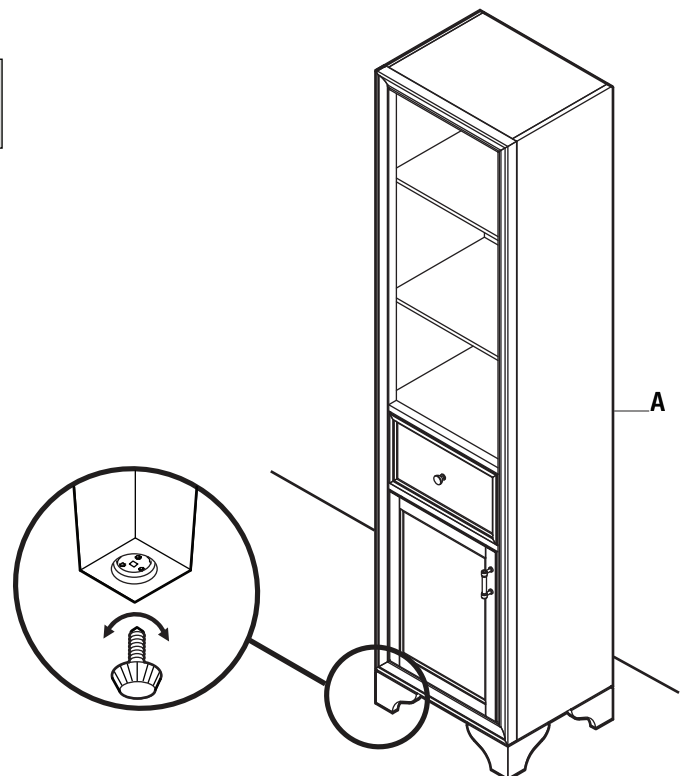


2 Adjusting the leg levelers (optional)



CAUTION: Two people are needed to safely tilt the cabinet and access the leg levelers.

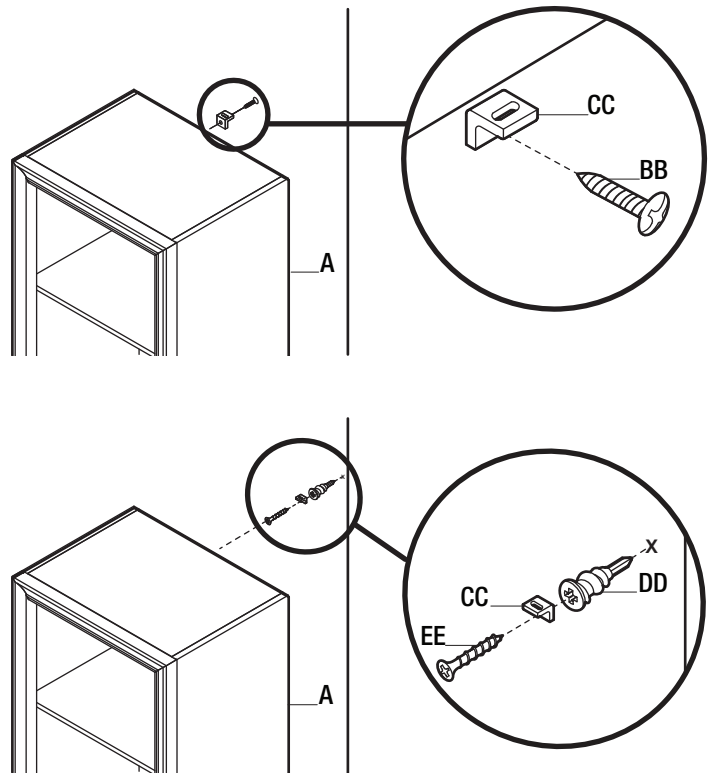
- If the floor is uneven, causing the cabinet (A) to wobble, determine which leg needs to be adjusted in height.
- Carefully tilt the cabinet (A) either backwards or forwards to access the leg leveler.
- Turn the leveler clockwise to make the leg shorter, or counterclockwise to make it longer.
- Repeat as needed with the other legs until the cabinet (A) stands solidly on the floor.



Assembly (continued)

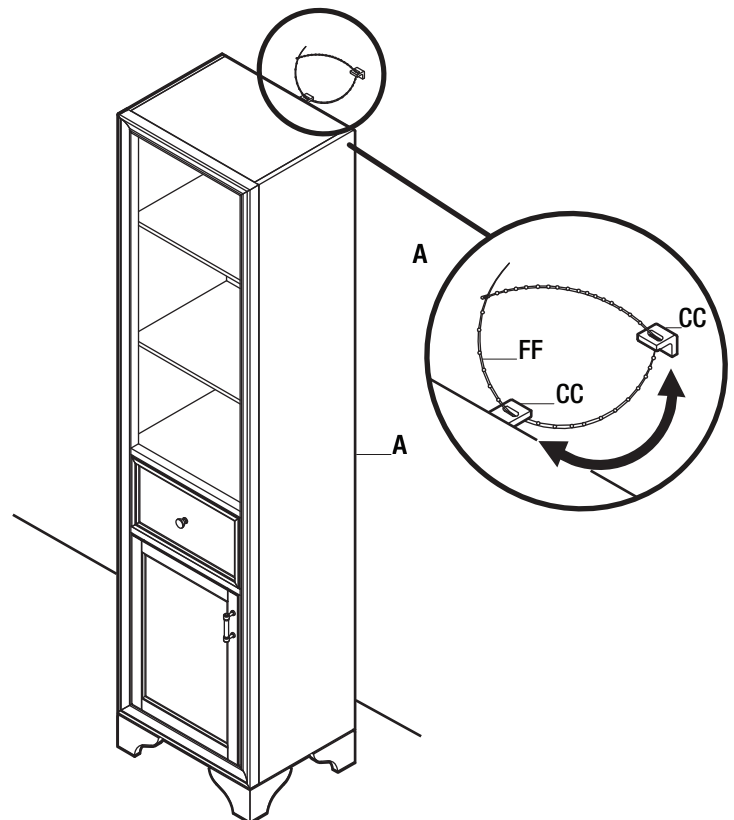
3 Attaching the brackets

- Center a bracket (CC) against the back of the cabinet (A) along the top edge.
- Insert the short screw (BB) through the space in the bracket (CC), and screw into the cabinet (A) using a screwdriver.
- Measure the height of the bracket (CC) from the floor using a tape measure.
- Measure this same vertical distance on the wall where the cabinet (A) will stand against, and mark with a pencil.
- Use a hammer to gently punch the anchor (DD) halfway into the wall at the marked location. Finish screwing in the anchor (DD) with the screwdriver.
- Place a bracket (CC) flush against the anchor, and insert the long screw (EE) through the space and into the anchor (DD). Screw it in using the screwdriver.



4 Securing the linen cabinet

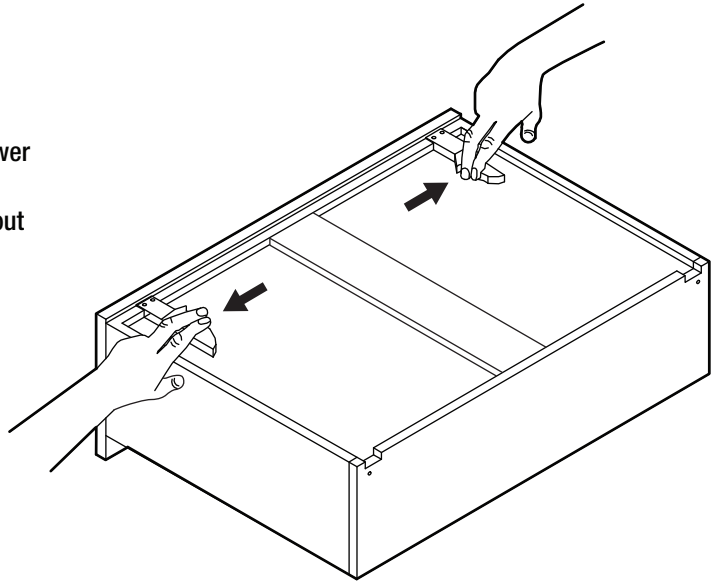
- Thread the tie (FF) through the slot in the bracket (CC) attached to the wall, then through the bracket (CC) attached to the cabinet (A).
- Thread the end of the tie (FF) through the slot in its opposite end, creating a loop.
- Push the cabinet (A) flush against the wall, and tighten the tie's (FF) loop until it becomes taut.



Assembly (continued)

5 Removing the drawer (optional)

- Fully extend the drawer.
- Pull the two latches outward on the underside of the drawer to release the lock.
- Simultaneously tilt and lift the drawer upwards to pull it out of the cabinet (A).



Maintenance

To protect your bath furniture, we suggest the following:

- Avoid placing your furniture in direct sunlight, as sunlight causes fading.
- Clean up spills immediately. Use a blotting rather than a wiping action. Water left over a long period of time will cause white spots in the finish.
- Alcohol, perfume, after-shave and medications can cause severe damage to the finish.

Care and Cleaning

For best results in cleaning and polishing your bath furniture, we recommend the following:

- Dust frequently with a clean, soft, dry, lint-free cloth. Clean the surface by rubbing in the direction of the grain.
- Polish your furniture approximately every six months with a product that contains detergents, emulsifiers and mineral oil. The detergents clean dirt from the furniture; the emulsifiers give it body to clean and last longer; the mineral oil is left behind as a barrier for dirt and moisture that can harm the finish. There is no grit to harm the finish, no wax build-up, and no silicone to raise the sheen and act as a barrier for touch-ups and refinishing.
- Clean up spills immediately. Use a blotting rather than a wiping action. Water left over a long period of time will cause white spots in the finish.
- Clean the outside surface with mild soap, warm water, and a soft cloth.
- On stubborn stains, use a powdered detergent and damp sponge or nylon scouring pad.
- Never use abrasive scouring powders, cleansers, or pads because they will scratch, damage, and dull the surface.
- Clean the sink surface with mild soap and warm water, then dry with a soft cloth.

HOME DECORATORS COLLECTION

Questions, problems, missing parts? Before returning to the store,
call Home Decorators Collection Customer Service
8 a.m. - 7 p.m., EST, Monday-Friday, 9 a.m. - 6 p.m., EST, Saturday

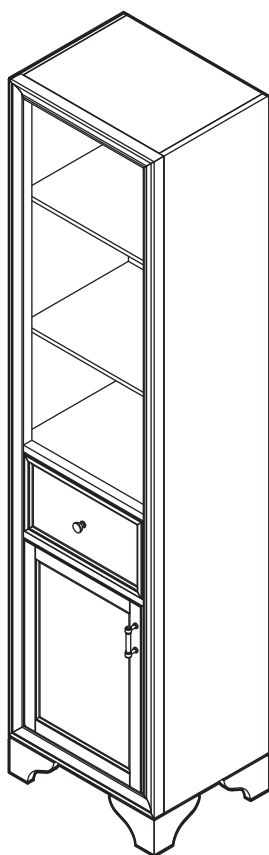
1-800-986-3460

HOMEDEPOT.COM/HomeDecorators

Retain this manual for future use.

GUÍA DE USO Y MANTENIMIENTO

GABINETE PARA LENCERÍA HAZELTON



¿Preguntas, problemas o piezas faltantes? Antes de devolver a la tienda, comunícate con el servicio al cliente de Home Decorators Collection De lunes a viernes, entre 8:00 a.m. y 7:00 p.m. (hora estándar del Este), y los sábados de 9:00 a.m. a 6:00 p.m. (hora estándar del Este)

1-800-986-3460

HOMEDEPOT.COM/HomeDecorators

GRACIAS POR TU COMPRA

Apreciamos la confianza que has depositado en Home Decorators Collection al comprar este gabinete. Nos esforzamos continuamente en crear productos de calidad diseñados para mejorar tu hogar. Visítanos por Internet para ver nuestra línea completa de productos disponibles con vistas a las necesidades de mejora de tu hogar. ¡Gracias por elegir Home Decorators Collection!

Tabla de contenido

Tabla de contenido.....	2	Ensamblaje.....	4
Información de seguridad.....	2	Mantenimiento.....	6
Garantía limitada de por vida.....	2	Mantenimiento y limpieza.....	6
Preensamblaje.....	3		
Herramientas necesarias.....	3		
Herrajes incluidos.....	3		
Contenido del paquete.....	3		

Información de seguridad



ADVERTENCIA: Manipular con cuidado. No lo dejes caer, no lo manipules bruscamente, ni aprietes demasiado los tornillos pues esto causará daños a la madera.

AVISO: Cumple con las normas locales de plomería y construcción.

Garantía

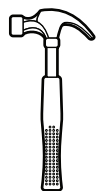
Los productos de Home Decorators Collection se fabrican con normas y mano de obra de calidad superior, y están respaldados por una garantía del fabricante durante un (1) año. Los productos de Home Decorators Collection están garantizados para el comprador original contra defectos materiales o de fabricación. Reemplazaremos GRATIS cualquier producto o pieza defectuosa. Simplemente retorne el producto / pieza a cualquier tienda de The Home Depot, o llame al 1-800-986-3460 para recibir el artículo de reemplazo. La prueba de compra (recibo original de ventas) del comprador original debe estar disponible para cualquier reclamación de garantía de Home Decorators Collection.

Esta garantía excluye fallas y daños directos/indirectos debido al uso incorrecto, abuso o uso y desgaste normales. Esta garantía excluye todo uso industrial, comercial y de negocios, a cuyos compradores se les extiende una garantía limitada de cinco años a partir de la fecha de compra, manteniendo todos los demás términos de la garantía, con excepción de la duración.

Algunos estados y provincias no permiten la exclusión o limitación de daños directos o indirectos, por ello las limitaciones previamente enunciadas pueden no aplicarse a su caso. Esta garantía le otorga derechos legales específicos y es posible que también goce de otros derechos que varían de un estado a otro y de una provincia a otra. Consulte a un asociado de la tienda o comuníquese al 1-800-986-3460 para obtener más detalles.

Preensamblaje

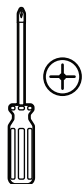
HERRAMIENTAS NECESARIAS



Martillo de uña



Lápiz



Destornillador Phillips



Cinta de medir

HERRAJES INCLUIDOS



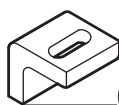
NOTA: No se muestra el tamaño real de los herrajes.



AA



BB



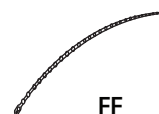
CC



DD



EE

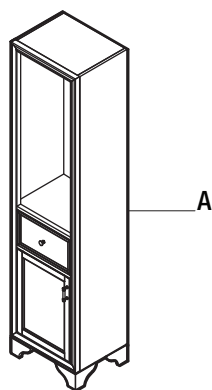


FF

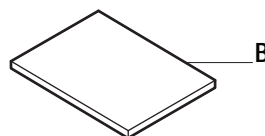
Pieza	Descripción	Cantidad
AA	Pasador de estante	12
BB	Tornillo corto	1
CC	Soporte	2

Pieza	Descripción	Cantidad
DD	Anchor	1
EE	Tornillo largo	1
FF	Conector	1

CONTENIDO DEL PAQUETE



A

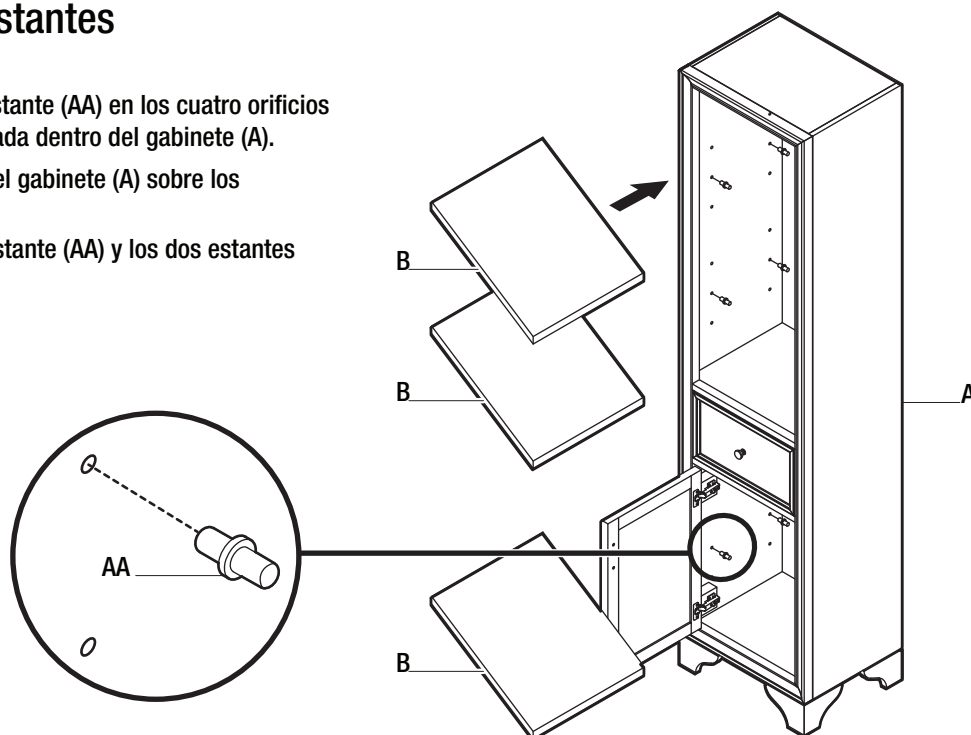


B

Pieza	Descripción	Cantidad
A	Gabinete	1
B	Repisa	3

1 Cómo instalar los estantes

- Inserta cuatro pasadores de estante (AA) en los cuatro orificios pretaladrados a la altura deseada dentro del gabinete (A).
- Desliza el estante (B) dentro del gabinete (A) sobre los pasadores (AA).
- Repite con los pasadores de estante (AA) y los dos estantes (B) restantes.

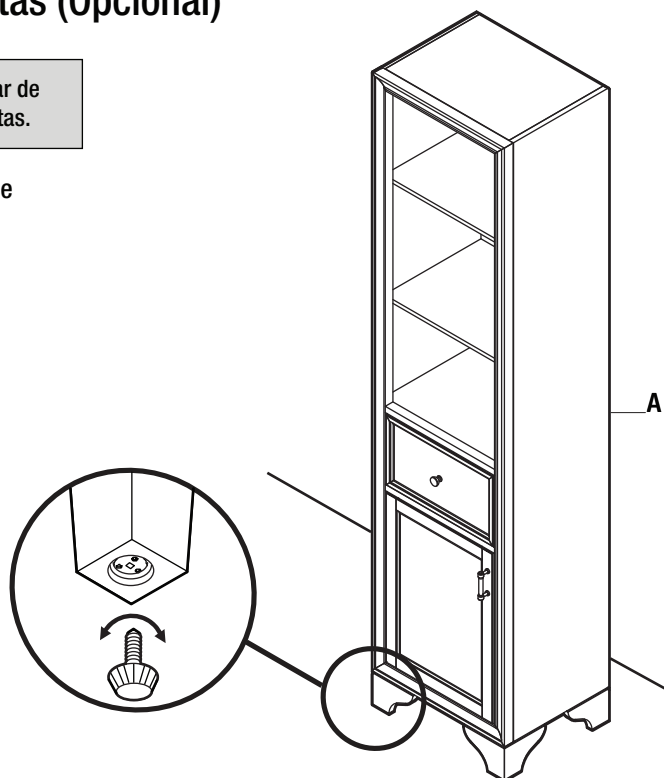


2 Cómo ajustar los niveladores de las patas (Opcional)



PRECAUCIÓN: Se necesitan dos personas para inclinar de forma segura el tocador y acceder a los niveladores de patas.

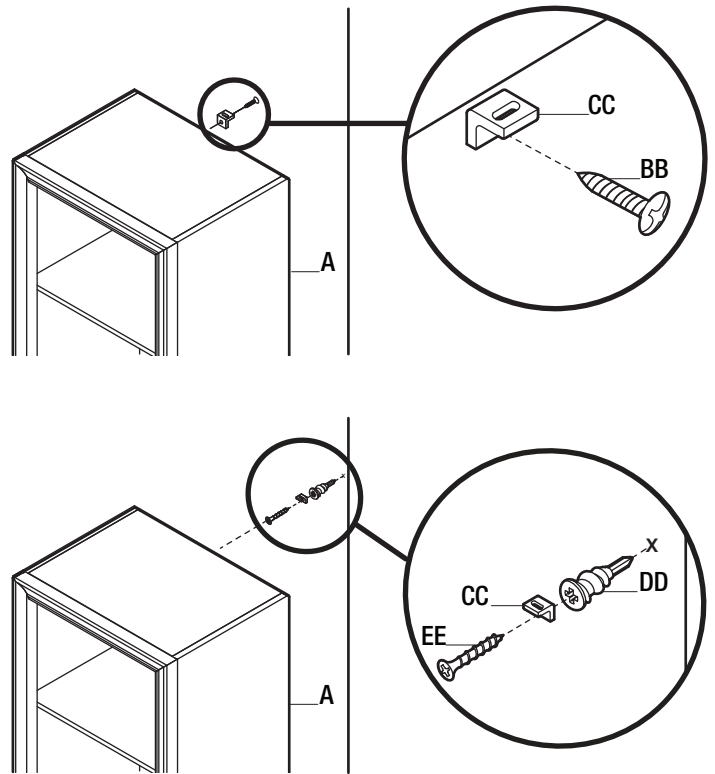
- Si el piso está desnivelado, provocando que el gabinete (A) se balancee, determina qué pata necesita un ajuste de altura.
- Inclina con cuidado el gabinete (A) hacia delante o hacia atrás para acceder al nivelador de las patas.
- Gira el nivelador hacia la derecha para acortar la pata o hacia la izquierda, para alargarla.
- Repite la operación según sea necesario para la otra pata hasta que el gabinete (A) quede firme sobre el piso.



Ensamblaje (continuación)

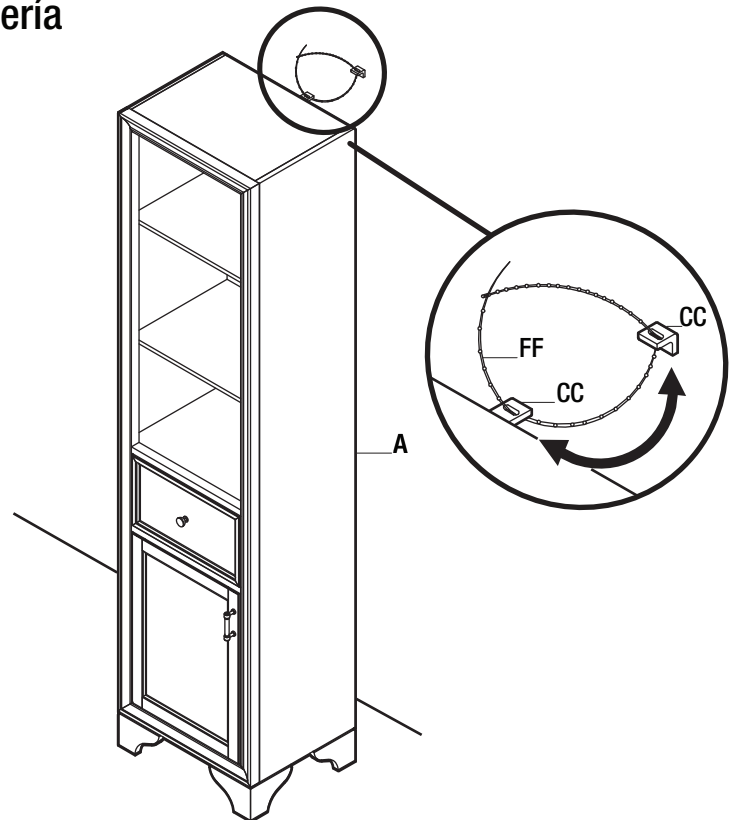
3 Cómo instalar los soportes

- Centra un soporte (CC) contra la parte posterior del gabinete (A) a lo largo del borde superior.
- Inserta el tornillo corto (BB) a través del espacio en el soporte (CC), y atornilla en el gabinete (A) con un destornillador.
- Mide la altura del soporte (CC) desde el piso usando una cinta para medir.
- Mide esa misma distancia vertical en la pared donde el gabinete (A) quedará colocado contra ella y marca con un lápiz.
- Usa un martillo para insertar con cuidado, dentro de la pared, el anclaje (DD) hasta la mitad en cada punto marcado. Termina de atornillar los anclajes (DD) con el destornillador.
- Coloca un soporte (CC) al ras del anclaje e inserta el tornillo largo (EE) a través del espacio y dentro del anclaje (DD). Atornilla con destornillador.



4 Cómo asegurar el gabinete para lencería

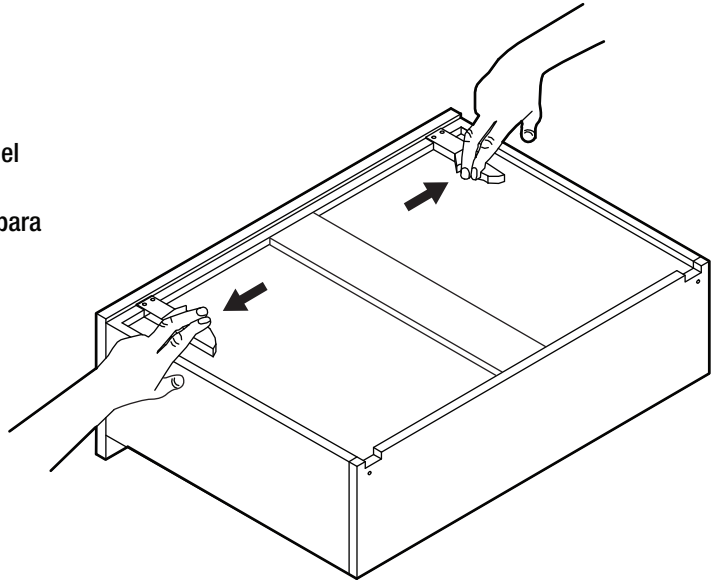
- Enrosca el conector (FF) a través de la ranura en el soporte (CC) instalado en la pared y enseguida a través del soporte (CC) instalado en el gabinete (A).
- Enrosca el extremo del conector (FF) a través de la ranura en el extremo opuesto, creando un gancho.
- Empuja el gabinete (A) al ras contra la pared y aprieta el gancho del conector (FF) hasta quedar firme.



Ensamblaje (continuación)

5 Cómo quitar el cajón (opcional)

- Extiende completamente el cajón.
- Hala los dos pasadores hacia afuera en la parte inferior del cajón para liberar el seguro.
- Simultáneamente, inclina y levanta hacia arriba el cajón para sacarlo del gabinete (A).



Maintenance

To protect your bath furniture, we suggest the following:

- Avoid placing your furniture in direct sunlight, as sunlight causes fading.
- Clean up spills immediately. Use a blotting rather than a wiping action. Water left over a long period of time will cause white spots in the finish.
- Alcohol, perfume, after-shave and medications can cause severe damage to the finish.

Care and Cleaning

For best results in cleaning and polishing your bath furniture, we recommend the following:

- Dust frequently with a clean, soft, dry, lint-free cloth. Clean the surface by rubbing in the direction of the grain.
- Polish your furniture approximately every six months with a product that contains detergents, emulsifiers and mineral oil. The detergents clean dirt from the furniture; the emulsifiers give it body to clean and last longer; the mineral oil is left behind as a barrier for dirt and moisture that can harm the finish. There is no grit to harm the finish, no wax build-up, and no silicone to raise the sheen and act as a barrier for touch-ups and refinishing.
- Clean up spills immediately. Use a blotting rather than a wiping action. Water left over a long period of time will cause white spots in the finish.
- Clean the outside surface with mild soap, warm water, and a soft cloth.
- On stubborn stains, use a powdered detergent and damp sponge or nylon scouring pad.
- Never use abrasive scouring powders, cleansers, or pads because they will scratch, damage, and dull the surface.
- Clean the sink surface with mild soap and warm water, then dry with a soft cloth.

HOME DECORATORS COLLECTION

¿Preguntas, problemas o piezas faltantes? Antes de devolver a la tienda,
comunicate con el servicio al cliente de Home Decorators Collection
De lunes a viernes, entre 8:00 a.m. y 7:00 p.m. (hora estándar del Este),
y los sábados de 9:00 a.m. a 6:00 p.m. (hora estándar del Este)

1-800-986-3460

[HOMEDEPOT.COM/HomeDecorators](https://www.homedepot.com/HomeDecorators)

Conserva este manual para uso en el futuro.