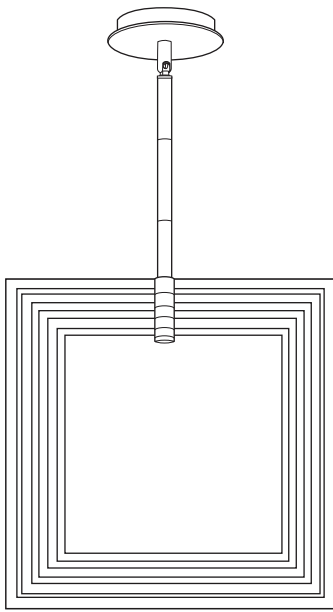


# Installation Guide



VONN Lighting  
Model: VRP29304



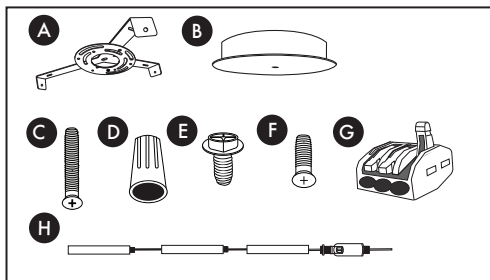
## LED INFO & WARNINGS

- Please read and comprehend the entire manual before attempting to assemble, operate, or install the product.
- Make sure that you have all necessary parts by checking the parts list. If any part is missing or damaged, please contact **VONN Lighting Customer Service at 888-604-8666** for a replacement.
- All parts must be used as indicated in these instructions. Do not substitute any parts, leave parts out, or use any parts that are worn or broken.
- Inspect the LED fixture prior to installation to make sure that it has not been damaged during shipping.
- Please handle the LED light with care when unpacking. Do not apply pressure to the LED's, do not open any factory sealed compartments, and do not touch the LEDs with your hands.

VONN highly recommends to use a qualified, licensed electrician to install the fixture.

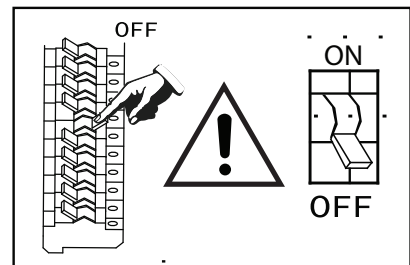
- VONN recommends to install the fixture on its own independent circuit. Do not install the fixture on the same circuit with other appliances, or HVAC systems.
- Do not remove or replace VONN manufactured driver that is provided with the fixture.
- VONN recommends **ELV (Electric Low Voltage)** type dimmers for this fixture.
- Shut "OFF" the electricity at main fuse box.
- Place the wall switch in the "OFF" position of the room you are installing the fixture.

## Parts List

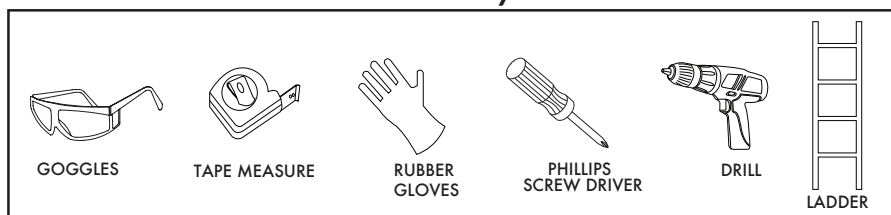


- A. Mounting Bracket
- B. Canopy
- C. Outlet Screws x 4
- D. Wire Connectors x 3
- E. Ground Screw x 1
- F. Canopy Screws x 3
- G. Wire Clips x 2 (Located in Canopy)
- H. Down Rods

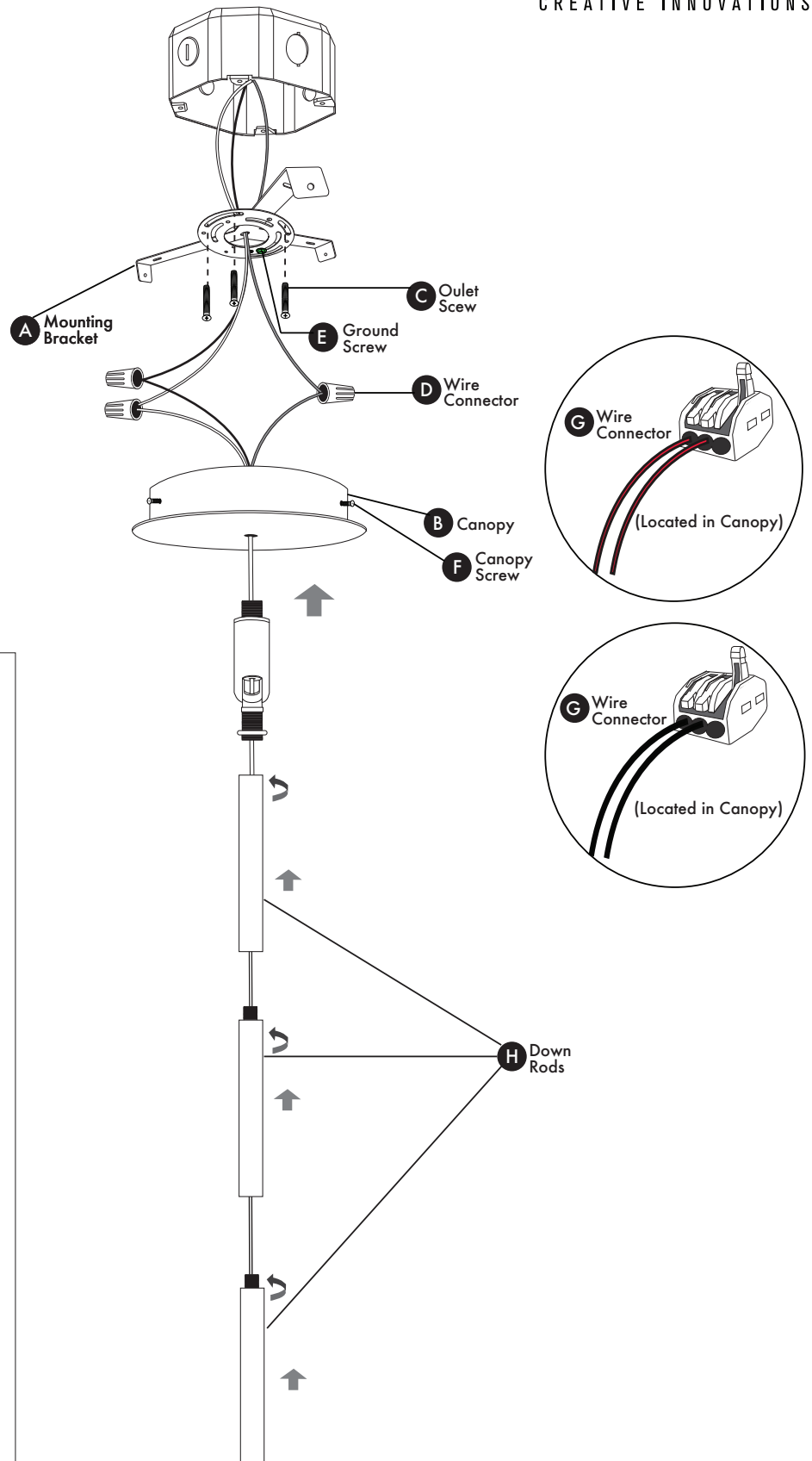
## Circuit Box



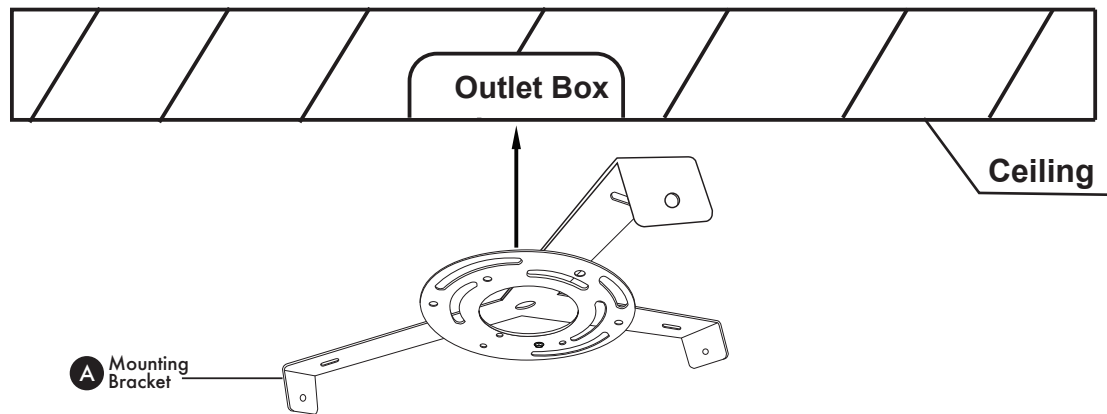
## Tools You May Need



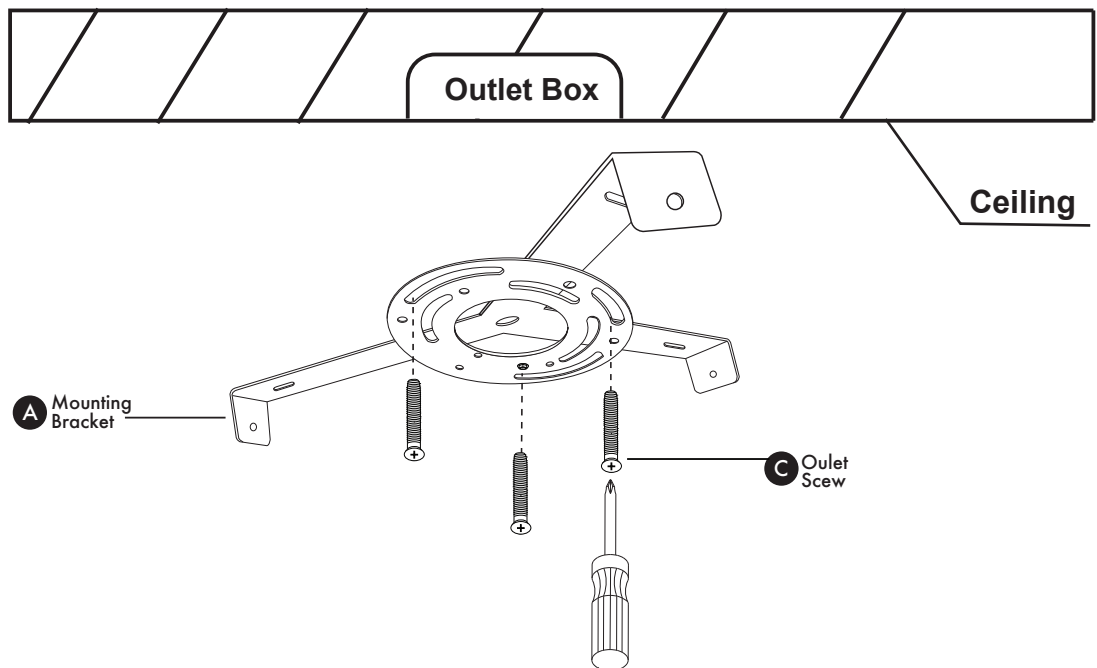
# Fixture Diagram



## Step 1. Install Mounting Bracket



**Align mounting bracket (A) with outlet box.**

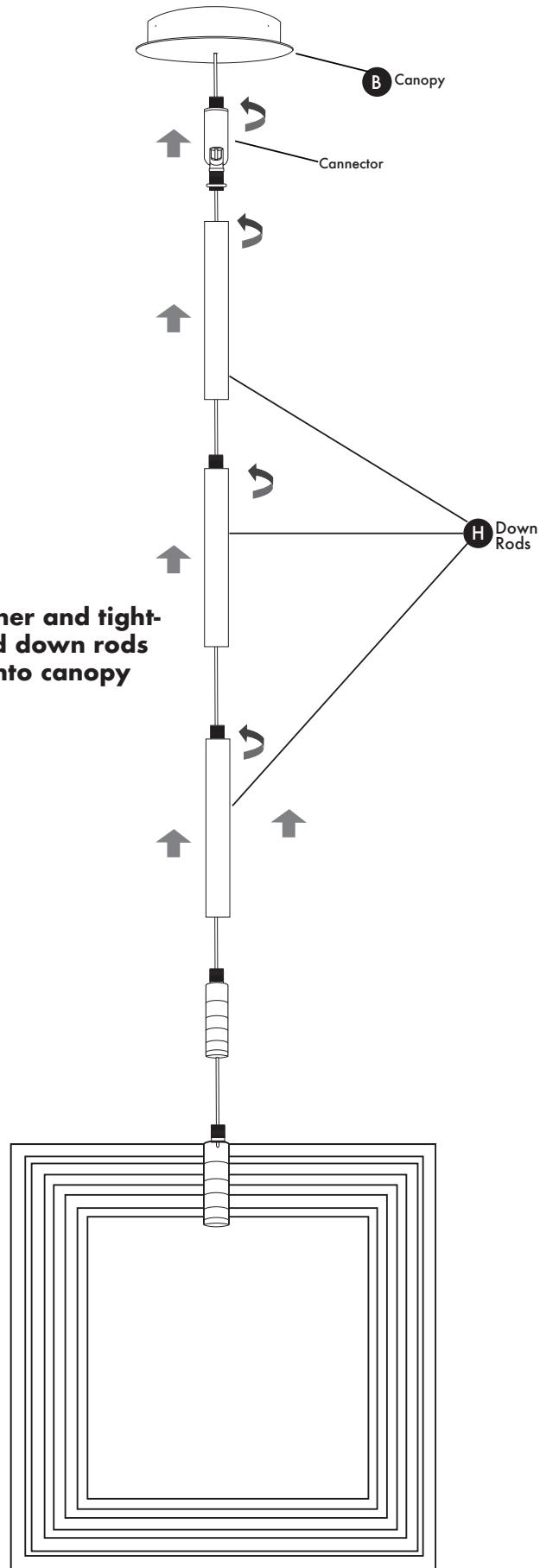


**Attach mounting bracket (A) to outlet box. Secure with outlet screws (C).**

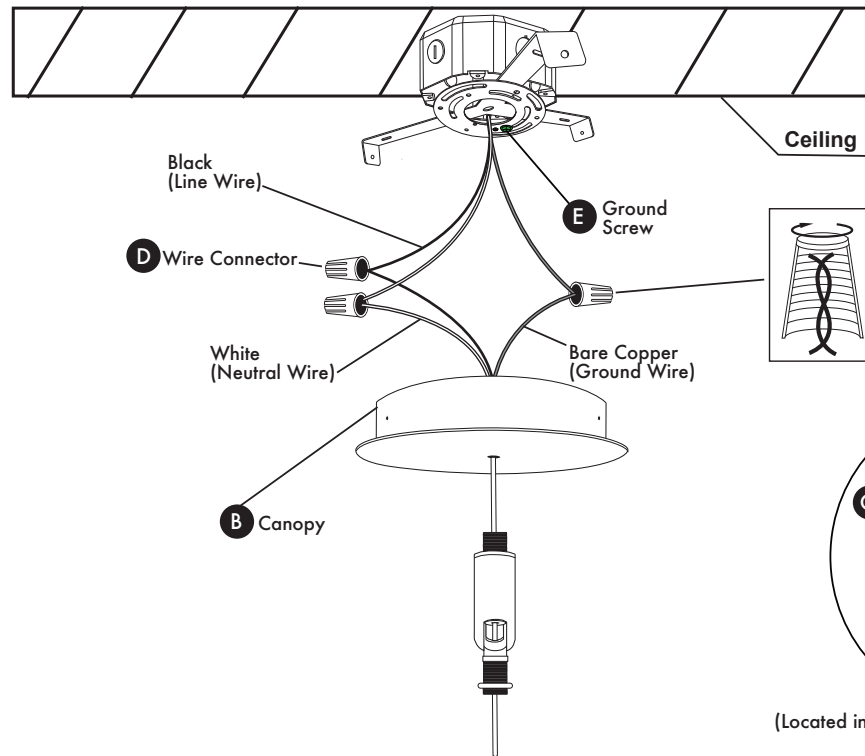
## Step 2. Assemble Fixture

**VONN**  
CREATIVE INNOVATIONS

**Connect down rods (H) together and tighten by hand. Connect attached down rods (H) to connector and secure into canopy (B).**



## Step 3. Connect Wires



(Located in Canopy)

(Located in Canopy)

### Supply Wires:

**Connect Black (Line Wire) from fixture to Black (Hot Wire) from outlet box.**

**Connect White (Neutral Wire) from fixture to White (Neutral Wire) from outlet box.**

### Ground Wires:

**Connect Bare Copper (Ground Wire) from fixture to Green or Bare Copper (Ground Wire) from outlet box.**

**Twist wires together clockwise and secure with wire connector (D).**

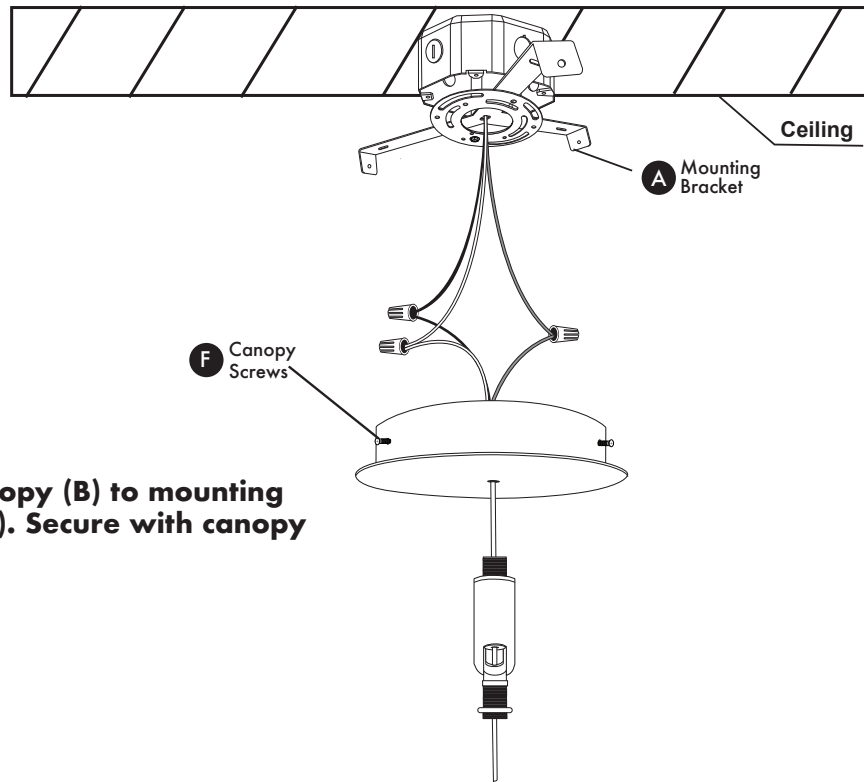
### Fixture Wires:

**Insert wire from fixture into wire connector (G) attached to driver located in canopy (B).**

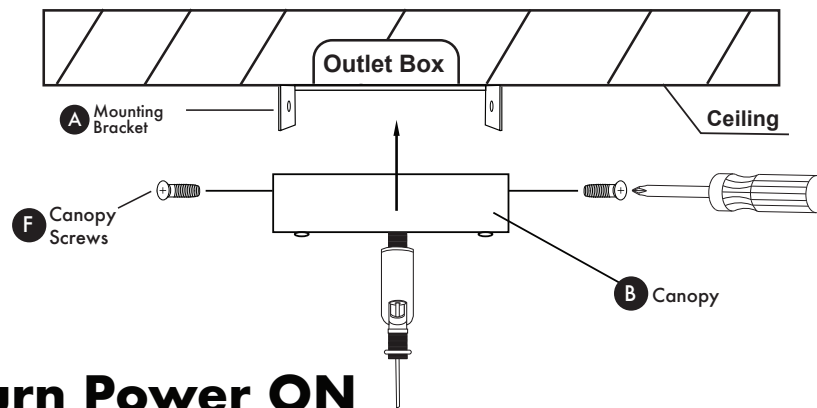
**Installer Tip (1):** If ground wire is not available in outlet box, then secure Bare Copper (Ground Wire) from fixture to ground screw (E) on mounting bracket (A).

**Installer Tip (2):** It is recommended that two installers are required to install the fixture. One installer to hold the fixture, and the second installer to connect the wires.

## Step 4. Mount Fixture



Attach canopy (B) to mounting bracket (A). Secure with canopy screws (F).

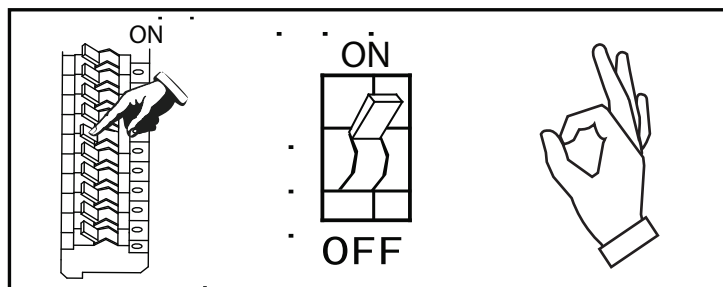


## Step 5. Turn Power ON

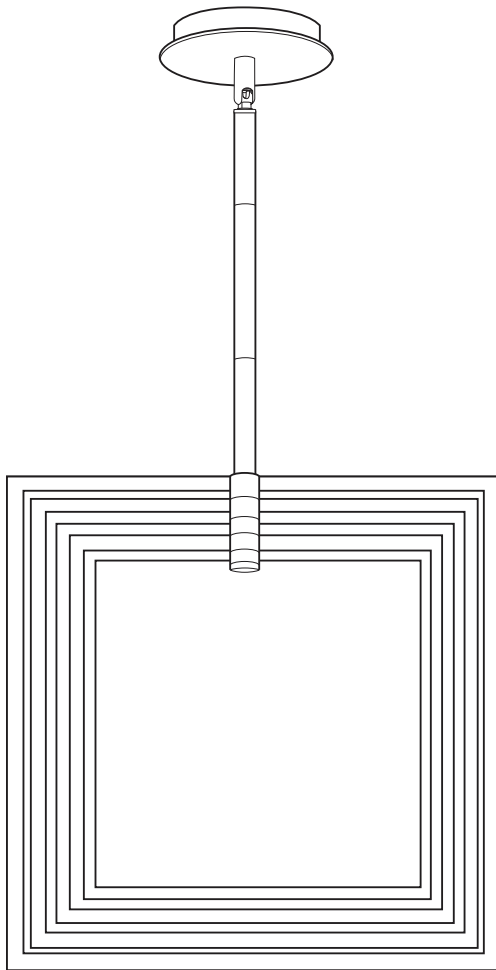
Turn electricity "ON" at main fuse box.

Place the recommended ELV type dimmer switch in the "ON" position to test the fixture.

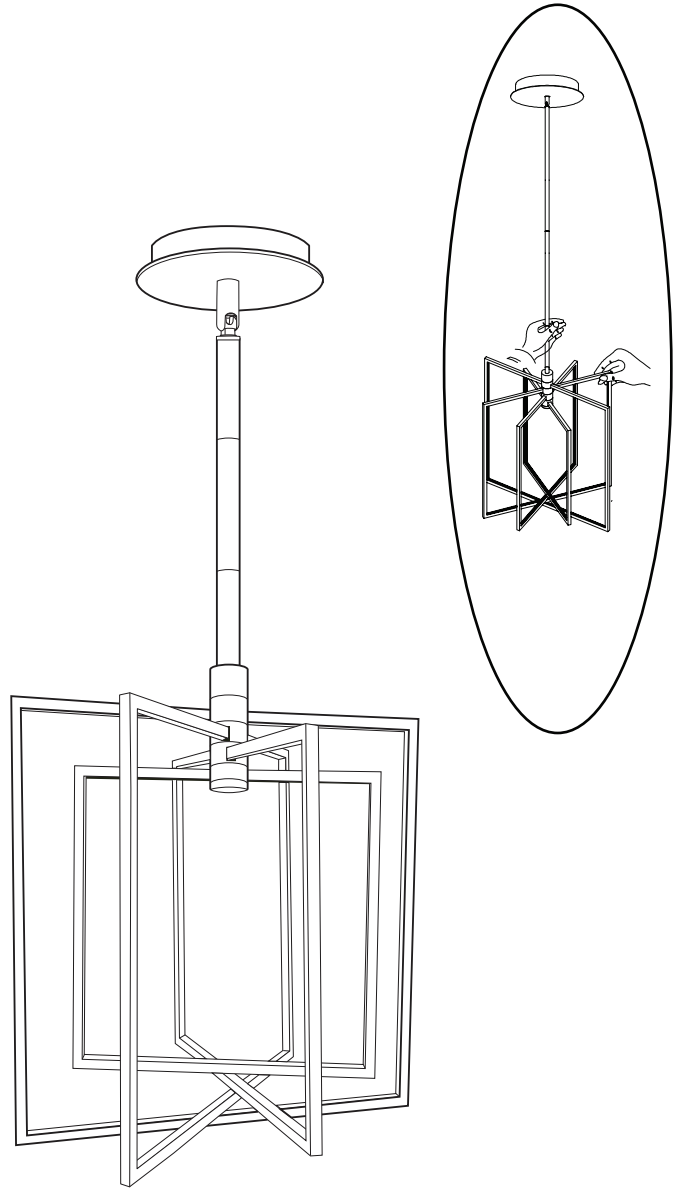
### Circuit Box



## Step 6. Open Fixture

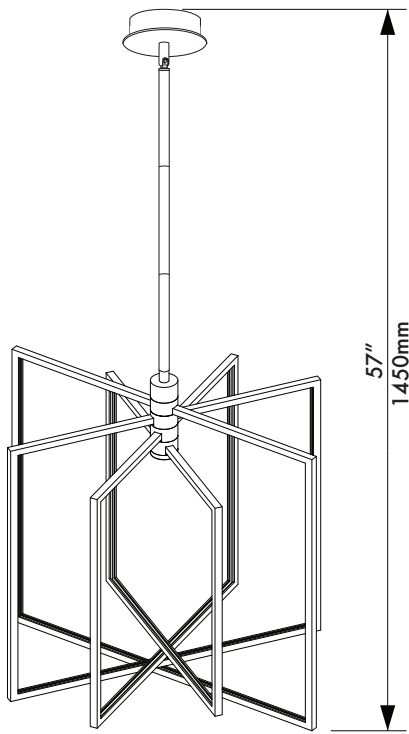


**Closed View**



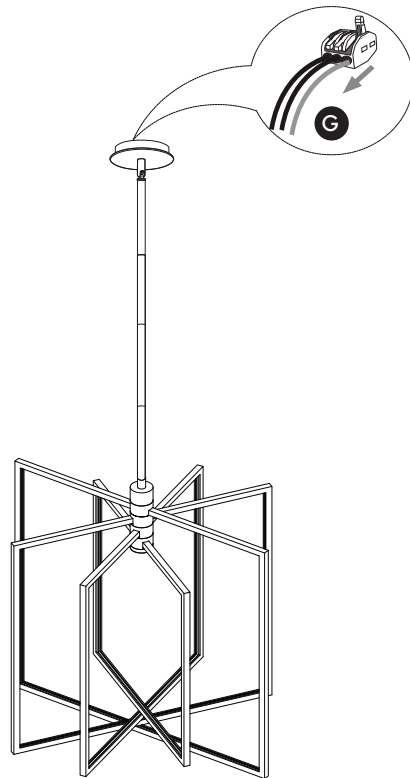
**Opened View**

**Installer Tip (3): Separate the rings one by one using both hands. DO NOT USE EXCESSIVE FORCE.**



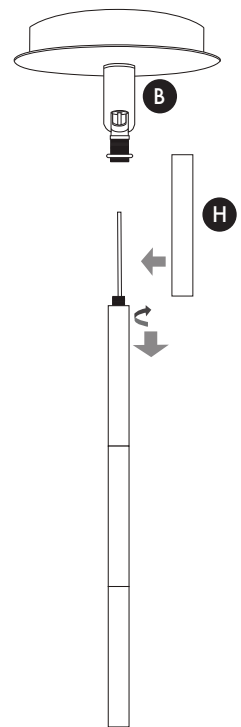
The fixture has a standard height of 57"; however, an extra down rod is added to provide a total length of 69", if needed.

1



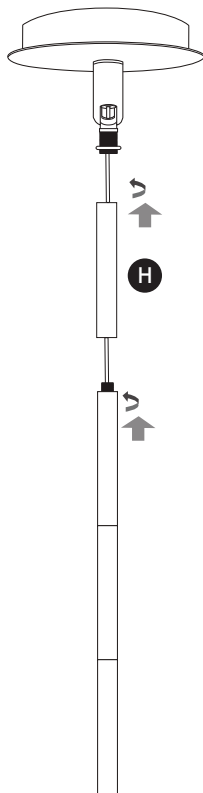
Remove wire from wire connector (G).

2



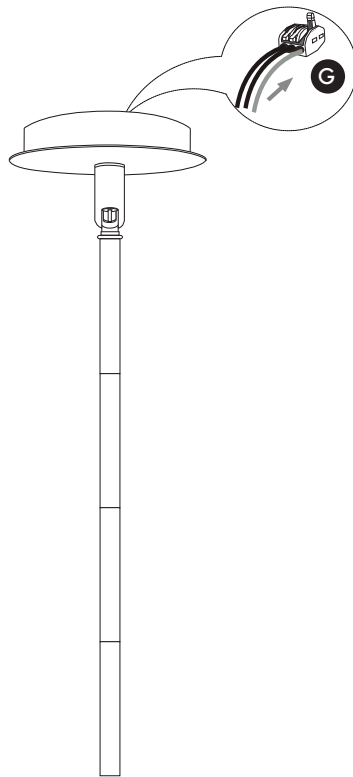
1. Unscrew down rod (H) from connector (B).  
2. Pull wire out of canopy and connector (B).  
3. Snake wire through extra down rod (H) and connector (B).

3



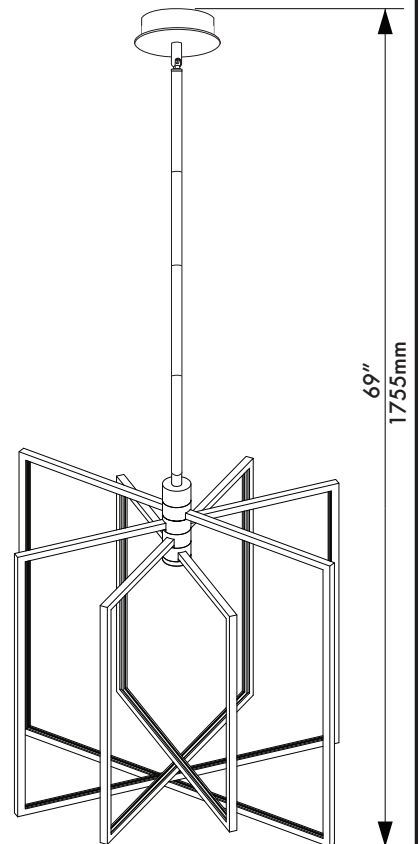
Secure and tighten additional down rod (H).

4



Reconnect wire to wire connector (G).

5



6