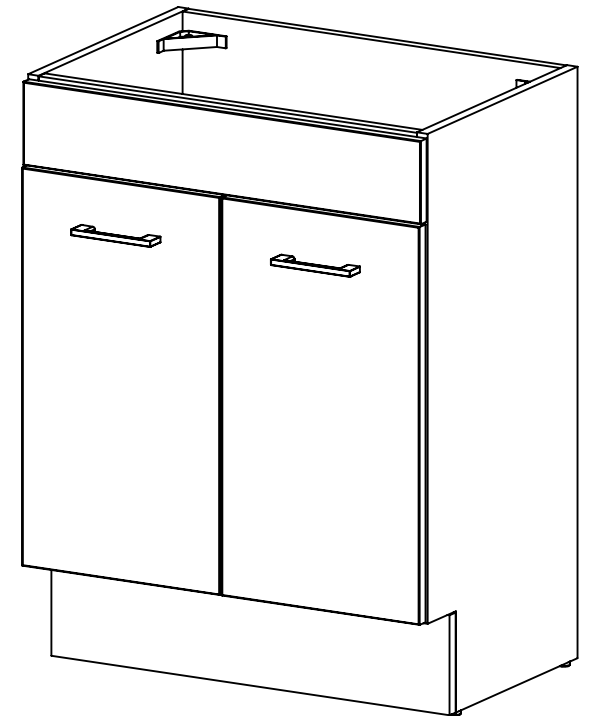
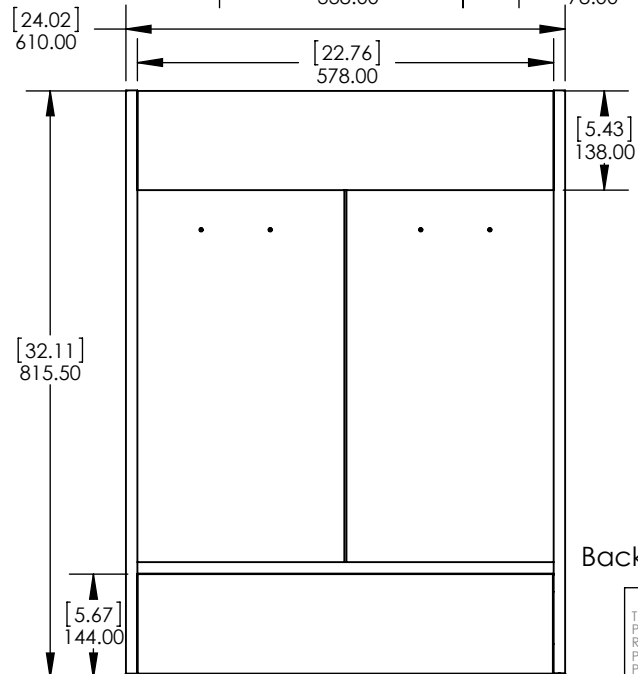
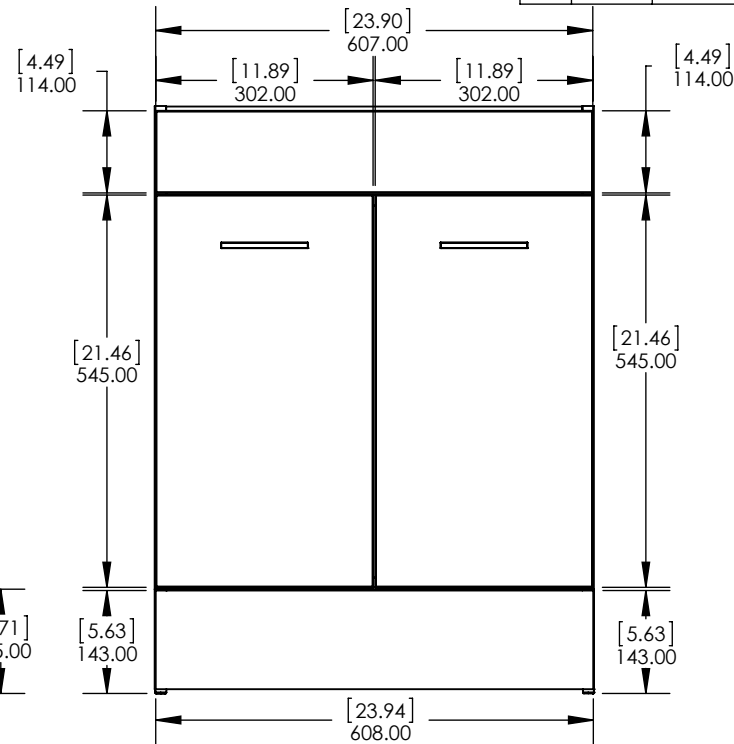
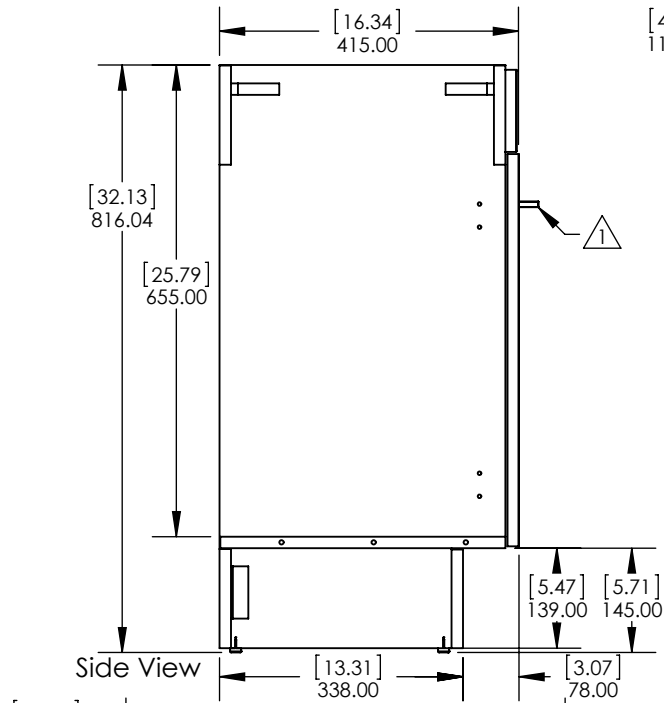


ITEM ID	DESCRIPTION
S1924P3-FE	Concept 2 xxin Vanity w/Vanity Top & Mirror - Forest Elm

REV	ECO#	DESCRIPTION	REV'D BY DATE	CHK'D BY DATE	APRV'D BY DATE
0		RELEASE	AGS 12/14/18	AGS 12/14/18	AGS 12/14/18

Notes: (Unless otherwise specified)

① Used only for reference



ISOMETRIC VIEW

Back View

PROPRIETARY AND CONFIDENTIAL
 THE INFORMATION CONTAINED IN THIS DRAWING IS THE SOLE PROPERTY OF WOODCRAFTERS HOME PRODUCTS L.L.C. ANY REPRODUCTION IN PART OR AS A WHOLE, WITHOUT THE WRITTEN PERMISSION OF WOODCRAFTERS HOME PRODUCTS L.L.C. IS PROHIBITED.

Tolerancia no epsecificada

Lineal
±0.5mm

Angular
±0.5°

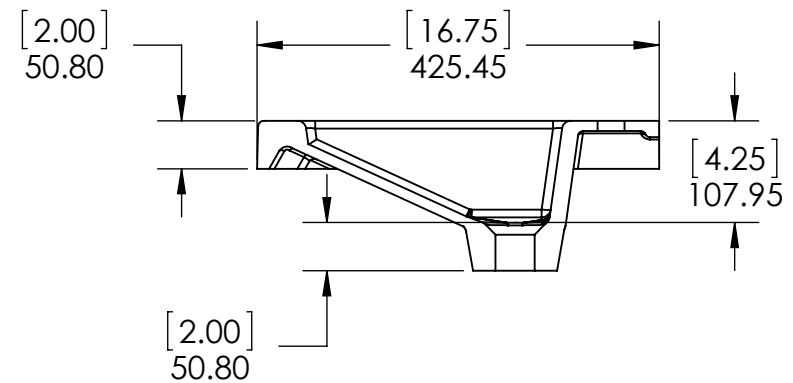
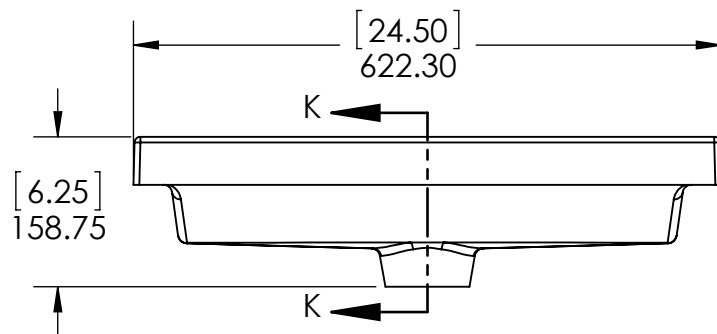
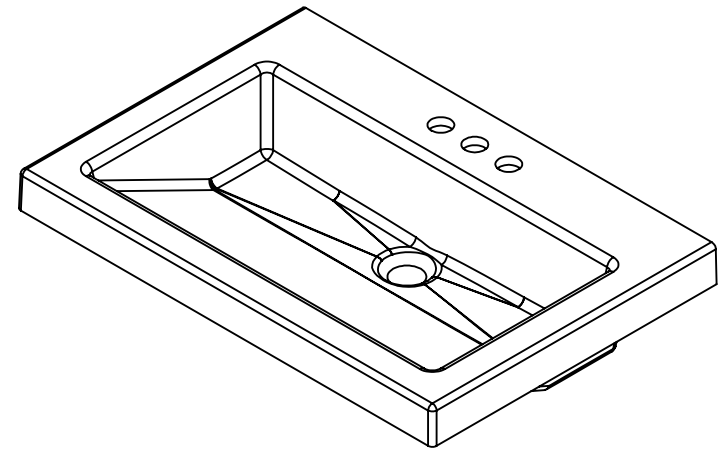
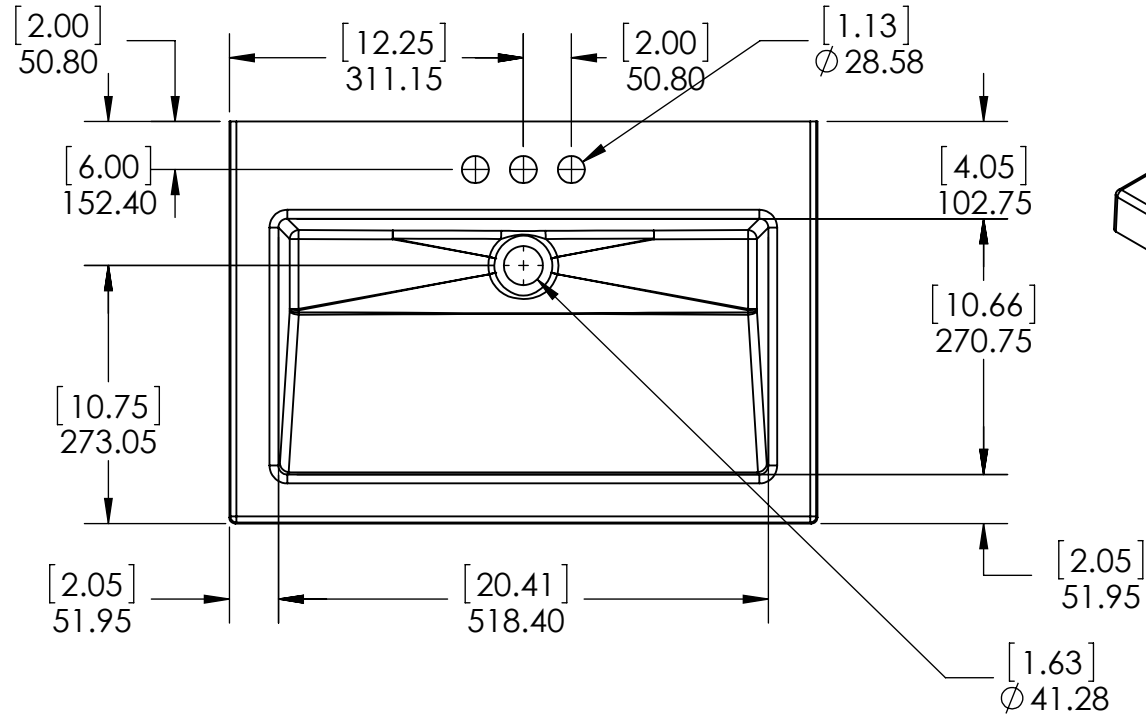
Drawn By:	Adolfo Gallegos	12/14/18
Drawn By:	Adolfo Gallegos	12/14/18
Drawn By:	Adolfo Gallegos	12/14/18

TITLE:	S1924P3-FE
PART NO:	
PAGE	1 OF 1
REV:	0



ID	Description	Technology	Status
595559	Vtop Sarah 24.5x16.75 White 4in (SN17)	AB Composite	Approved for production

Rev #	Approved by	Change
0	O. Razo	Released



PROPRIETARY AND CONFIDENTIAL
THE INFORMATION CONTAINED IN THIS DRAWING IS THE SOLE PROPERTY OF WOODCRAFTERS. ANY REPRODUCTION IN PART OR AS A WHOLE WITHOUT THE WRITTEN PERMISSION OF WOODCRAFTERS IS PROHIBITED.

UNLESS OTHERWISE SPECIFIED
DIMENSIONS ARE IN MM.
AND (INCHES)
TOLERANCES ARE
+0.125 [3.175] -0.125 [-3.175]
SCALE:1:8

	NAME	DATE
DRAWN	O. Razo	07/03/17
CHECKED	R. Rubio	07/03/17
ENG APPR.	R. Rubio	07/03/17
MFG APPR.	C. Leal	07/03/17

Wood Crafters

SIZE DWG. NO. A VTop Sarah 24.5x16.75 White 4 in

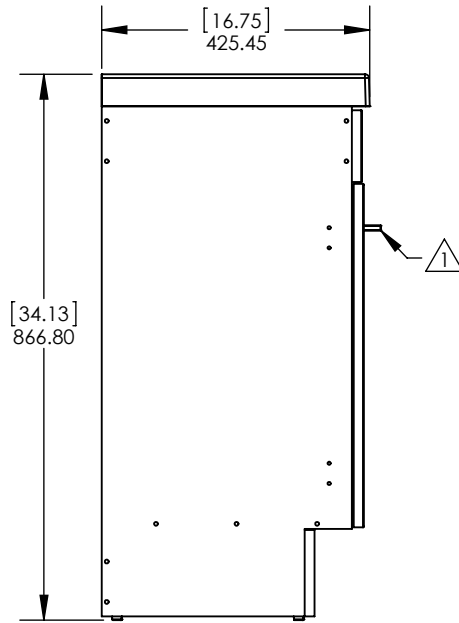
SHEET 1 OF 1 REV: 0

ITEM ID	DESCRIPTION
S1924P3-FE	Concept 2 xxin Vanity w/Vanity Top & Mirror - Forest Elm

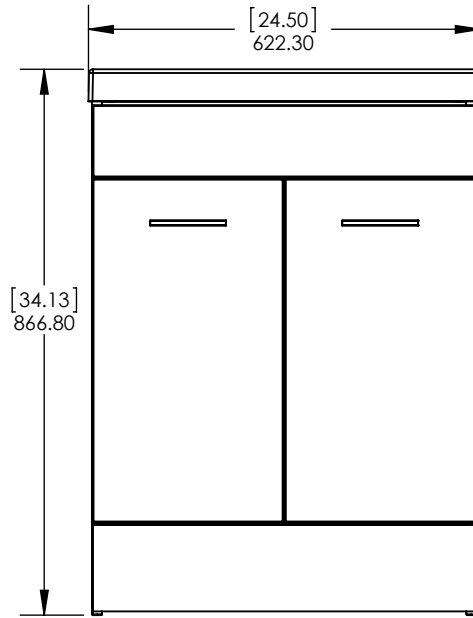
Notes: (Unless otherwise specified)

① Used only for reference

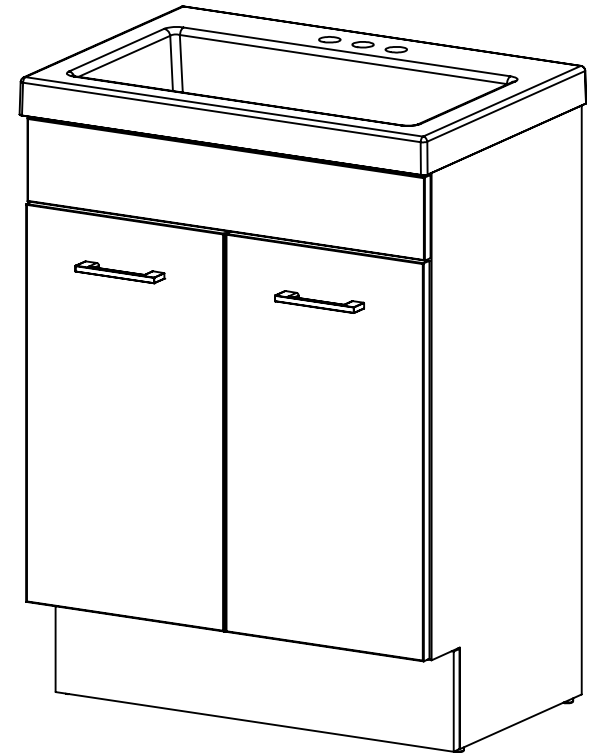
REV	ECO#	DESCRIPTION	REV'D BY DATE	CHK'D BY DATE	APRV'D BY DATE
0		RELEASE	AGS 12/14/18	AGS 12/14/18	AGS 12/14/18



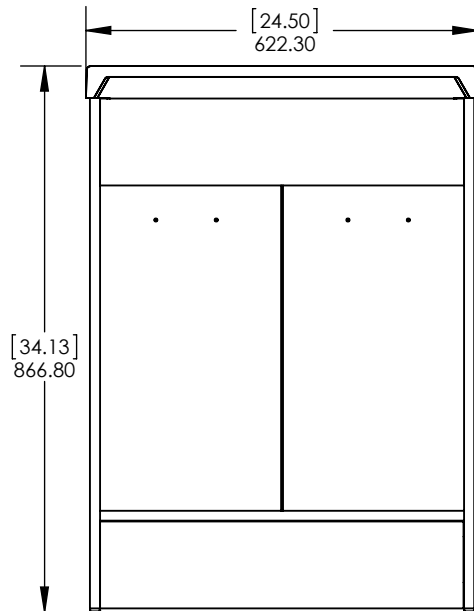
Side View



Front view



ISOMETRIC VIEW



Back View

PROPRIETARY AND CONFIDENTIAL
 THE INFORMATION CONTAINED IN THIS DRAWING IS THE SOLE PROPERTY OF WOODCRAFTERS HOME PRODUCTS L.L.C. ANY REPRODUCTION IN PART OR AS A WHOLE, WITHOUT THE WRITTEN PERMISSION OF WOODCRAFTERS HOME PRODUCTS L.L.C. IS PROHIBITED.

Tolerancia no epsecificada

Lineal
±0.5mm

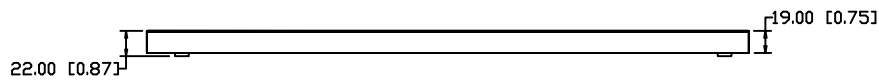
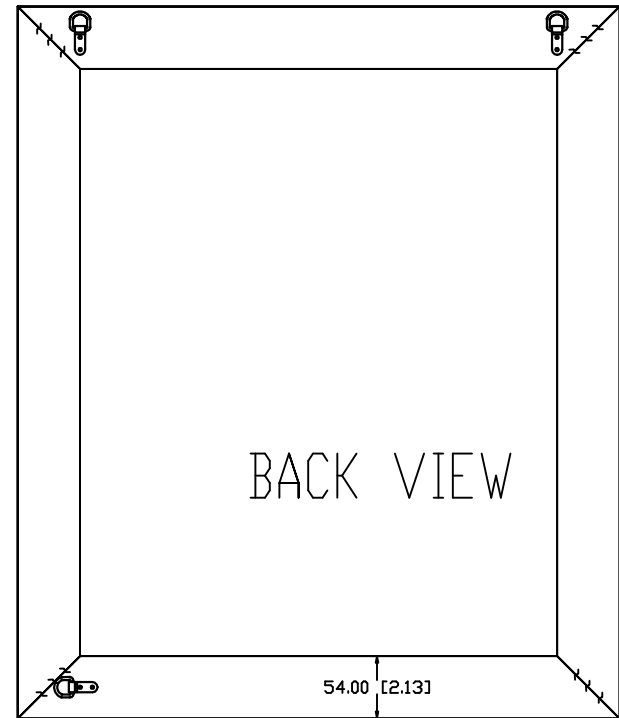
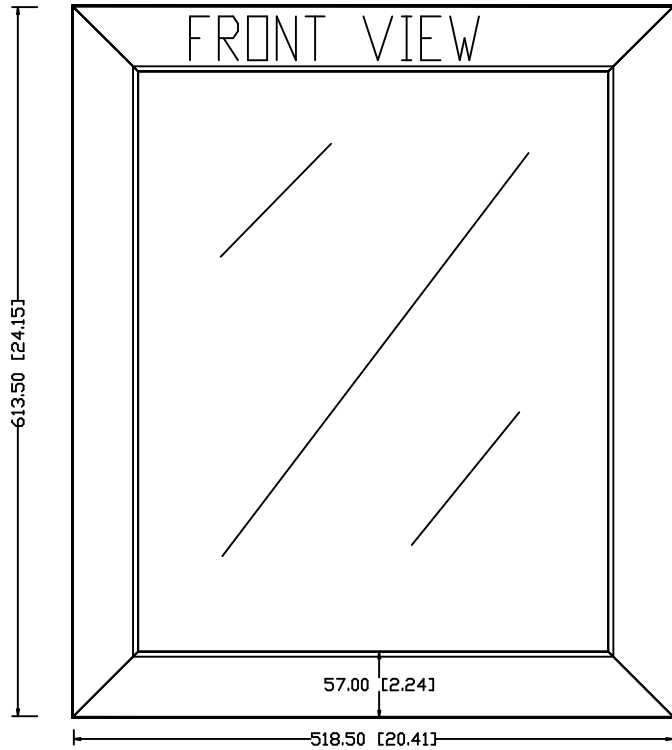
Angular
±0.5°

Drawn By:	Adolfo Gallegos	12/14/18
Drawn By:	Adolfo Gallegos	12/14/18
Drawn By:	Adolfo Gallegos	12/14/18

Wood Crafters[®]

TITLE:	S1924P3-FE	
PART NO:	PAGE 1 OF 1	REV: 0

N.-Item ID	Item Name
1 297077	Wall Mirror 20.41x24.15in Forest Elm Paper Wrap Ext



PROPRIETARY AND CONFIDENTIAL THE INFORMATION CONTAINED IN THIS DRAWING IS THE SOLE PROPERTY OF WOODCRAFTERS HOME PRODUCTS L.L.C. ANY REPRODUCTION IN PART OR AS A WHOLE WITHOUT THE WRITTEN PERMISSION OF WOODCRAFTERS HOME PRODUCTS L.L.C. IS PROHIBITED.	UNLESS OTHERWISE SPECIFIED DIMENSIONS ARE IN mm and[inches] AND TOLERANCES ARE +/- 1 [0.04]	DRAWN BY:	Carlos Reyes	TITLE:	Wall Mirror		
		CHECKED BY:	Juan Sanchez				
		APPROVED BY:	Alexandro Hoopo				
		DO NOT SCALE DRAWING	SCALE: 1:1	SIZE: A	PART NO:	PAGE 1 OF 1	REV: 0