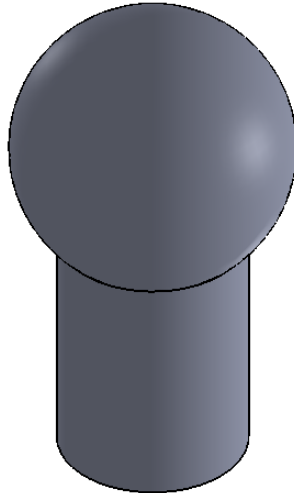
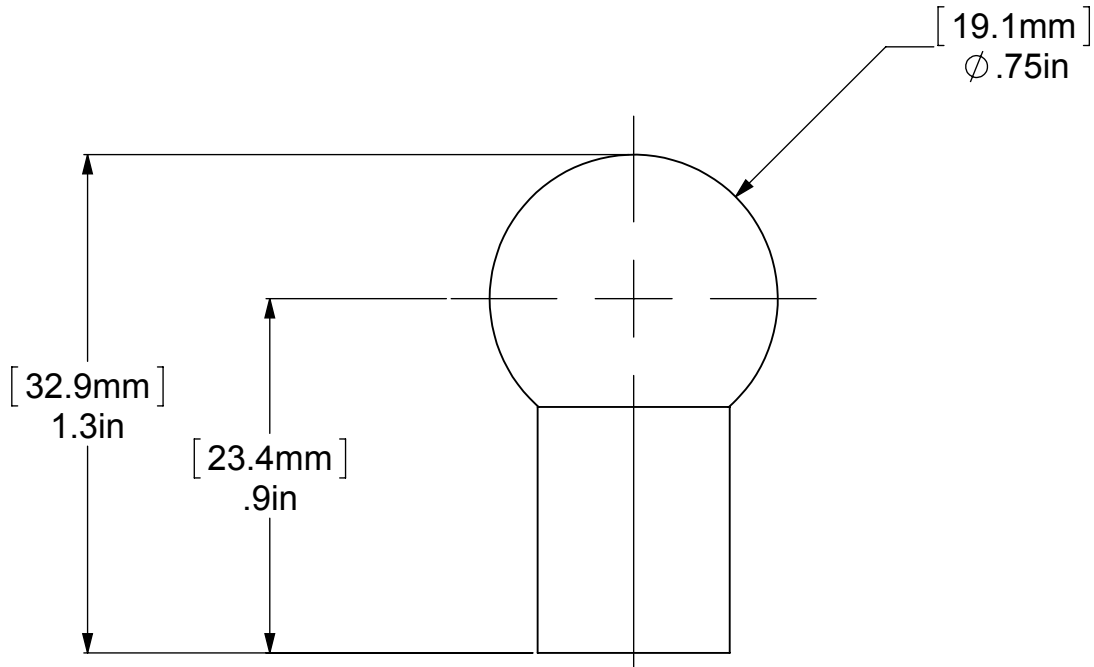
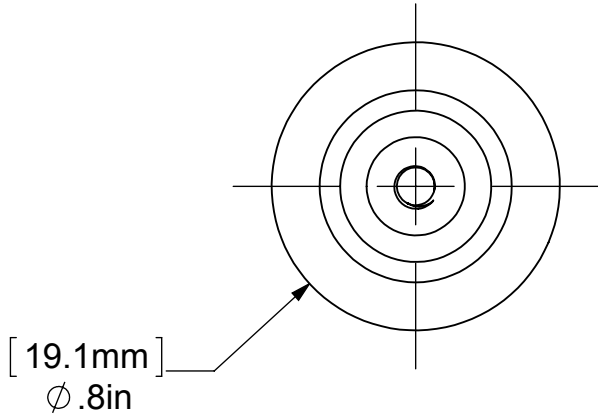


ITEM NO.	PART NUMBER	DESCRIPTION	QTY.
1	PSRD8-12	BASE	1
2	BL1T-34	End Ball	1



UNLESS OTHERWISE STATED

.X	± .3mm
.XX	± .15mm
.XXX	± .008mm

COPYRIGHT © Allied Brass 2017



THIRD ANGLE PROJECTION

DRAWN	7/11/2017	I.M
CHECKED	7/11/2017	P.D
APPROVED	7/11/2017	R.A

MATERIAL:	BRASS
DESCRIPTION:	3/4 Inch Cabinet Knob

FINISH	TBD
QUANTITY	TBD
DRAWING No.	A-10
REV	0
SCALE	2:1
SHEET: 01	A4