



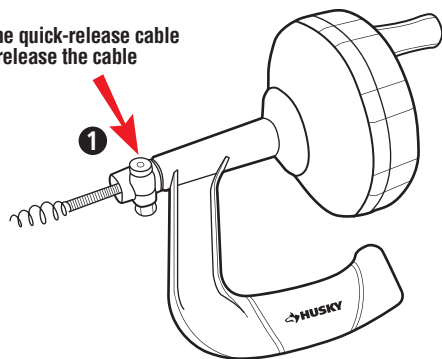
**LIFETIME  
WARRANTY**

## 1/4 IN x 25 FT POWER DRUM AUGER

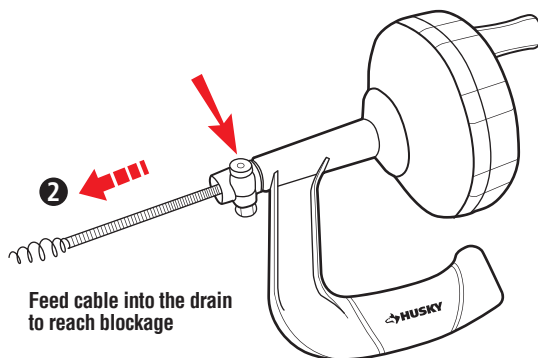
### How to Operate:

- Can be operated manually or with drill
- Press the quick-release cable lock to release the cable
- Feed cable into the drain to reach blockage
- Press the quick-release cable lock to secure the cable
- Spin cable in clockwise direction to dislodge debris
- To Use with a drill: attach power drill to shank on back of the Auger for added power but use lowest PRM

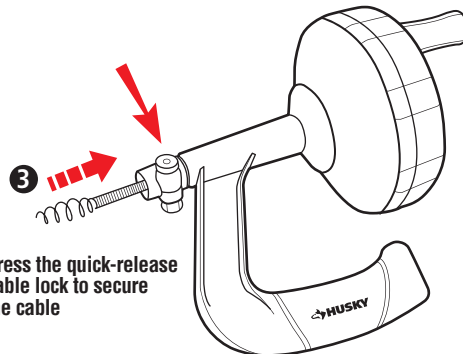
Press the quick-release cable lock to release the cable



Feed cable into the drain to reach blockage



Press the quick-release cable lock to secure the cable



**When using a Drill to spin the Auger, use the lowest RPM mode and gently spin cable to dislodge debris**

#### **⚠ WARNING**



Wear appropriate protective equipment including safety glasses and leather gloves.