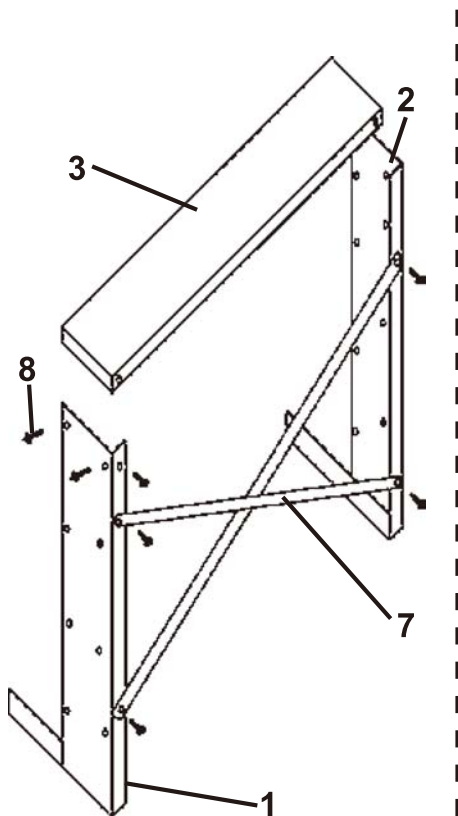


## PARTS LIST AND DIAGRAM

Part	Description	Qty
1	Left Panel	1
2	Right Panel	1
3	Top	1
4	Bracket	6
5	Shelf	3
6	Bin	24
7	Back Brace	2
8	M6 x 12 Bolt-Nut-Washer Set	22

View from rear



View from front

