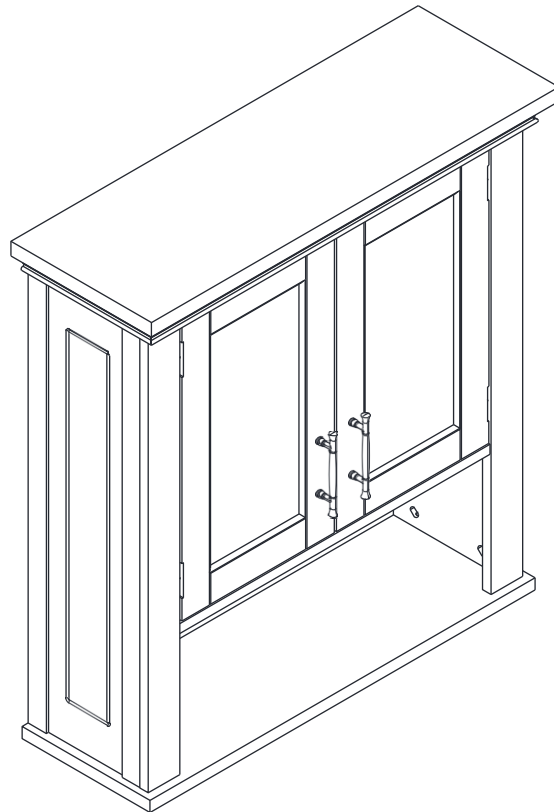




ASSEMBLY INSTRUCTIONS



RiverRidge® SOMERSET 2 DOOR WALL CABINET

ITEM #:06-039 WHITE
ITEM #:06-078 GRAY

ADULT ASSEMBLY REQUIRED

This product requires assembly by an adult because of small parts. Care should be taken in unpacking and assembling this item to keep small parts away from children.

WARNING **SEE FULL WARNING ON PAGE 2**

Young children can be seriously injured or killed if furniture tips over. Don't use this item for a TV stand or place heavy objects on top of item. Always use angle-braces or anchors to secure furniture to the wall.

Send requests for missing or damaged parts replacements by email to:

customer.service@ssi-rr.com or call toll free 1-(844)-223-5201 or order parts on line at

www.riverridgehome.com

THIS SHELF UNIT WILL HOLD UP TO 25 POUNDS PER SHELF OR A TOTAL OF 75 POUNDS. DO NOT LOAD EACH SHELF WITH MORE THAN 25 POUNDS AND A TOTAL OF 75 POUNDS TOTAL WEIGHT. IF OVERLOADED WITH MORE THAN 25 POUNDS PER SHELF AND 75 POUNDS TOTAL WEIGHT THE SHELF MAY FALL FROM THE WALL AND CAUSE SERIOUS INJURY OR DEATH.

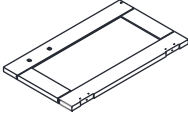
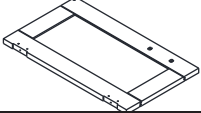
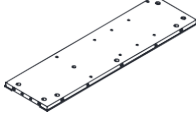
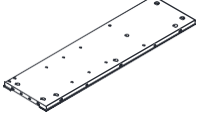
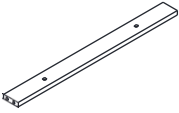
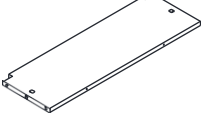
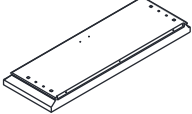
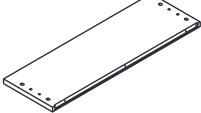
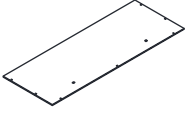
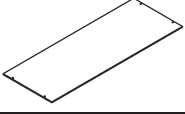
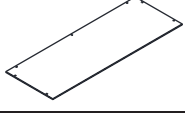
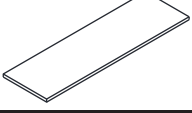
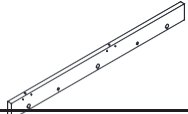
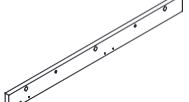


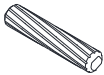


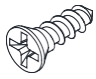
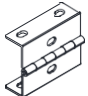


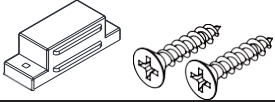
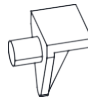
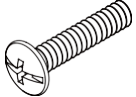
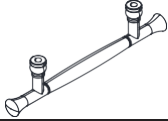
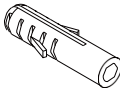


WARNING

SERIOUS OR FATAL INJURIES CAN OCCUR FROM FURNITURE TIP-OVER. TO HELP PREVENT TIP-OVER:

- **Always use tip over restraints and/or wall anchors to secure furniture to the wall**
- **Place heaviest items in the lowest drawers/bins or shelves**
- **Do not set TV's or other heavy objects on the top of this product**
- **Never allow children to climb or hang on to the drawers/bins, doors or shelves of furniture**
- **Never open more than one drawer at a time or defeat or remove any drawer interlock system**

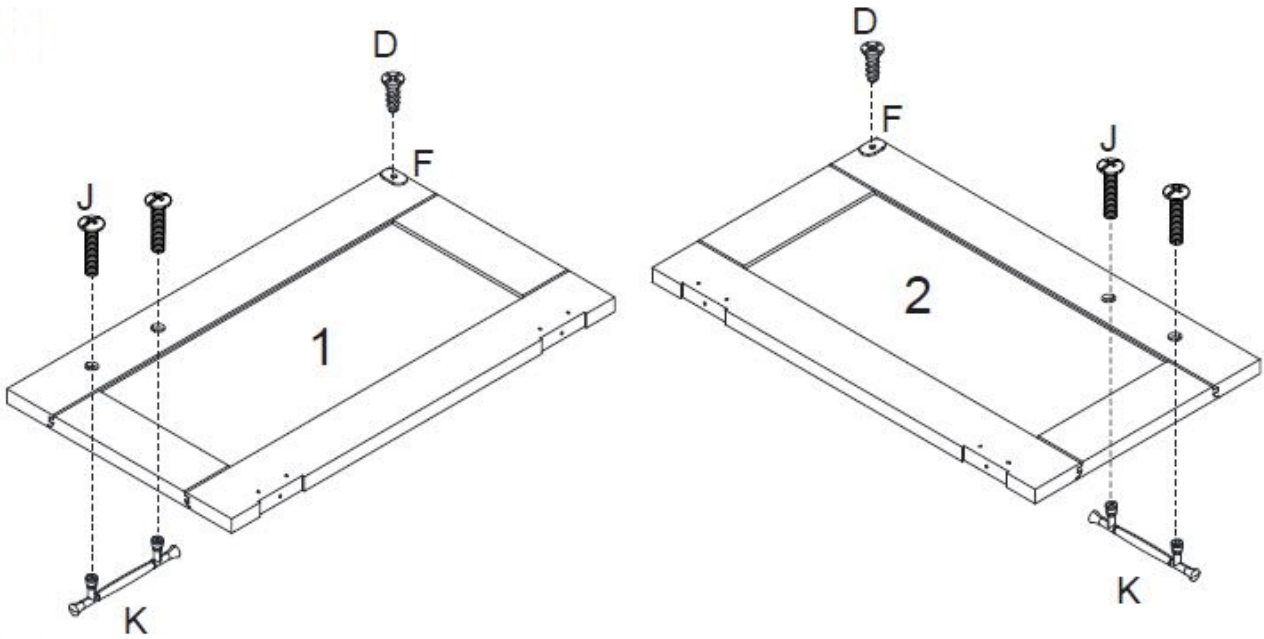
PARTS LIST

NO	PARTS	QTY	DESCRIPTION
1		1PC	LEFT DOOR
2		1PC	RIGHT DOOR
3		1PC	RIGHT SIDE PANEL
4		1PC	LEFT SIDE PANEL
5		1PC	CROSS BAR
6		1PC	SHELF
7		1PC	TOP BOARD
8		1PC	BOTTOM BOARD
9		1PC	UPPER BACK BOARD
10		1PC	MIDDLE BACK BOARD
11		1PC	LOWER BACK BOARD
12		1PC	ADJUSTABLE SHELF
13		1PC	RIGHT SUPPORT BOARD
14		1PC	LEFT SUPPORT BOARD

NO	PARTS	QTY	DESCRIPTION
A		20PCS	WOOD DOWEL
B		16PCS	CAM BOLT
C		16PCS	CAM LOCK
D		26PCS	WOOD SCREW 3X10MM
E		4PCS	HINGE
F		2PCS	MAGNET PLATE
G		20PCS	WOOD SCREW 3X12MM
H		1SET	MAGNET WITH 2 SCREWS
I		4PCS	SHELF HOLDER
J		4PCS	MACHINE SCREW 4X15MM
K		2PCS	HANDLE
L		2PCS	PLASTIC ANCHOR
M		2PCS	WOOD SCREW 4X40MM
N		1PC	PLASTIC CONNECTION STRIP

**TOOLS NEEDED FOR ASSEMBLY: FLAT & PHILLIPS SCREWDRIVER (NOT INCLUDED)
THE USE OF POWER SCREWDRIVER IS NOT RECOMMENDED**

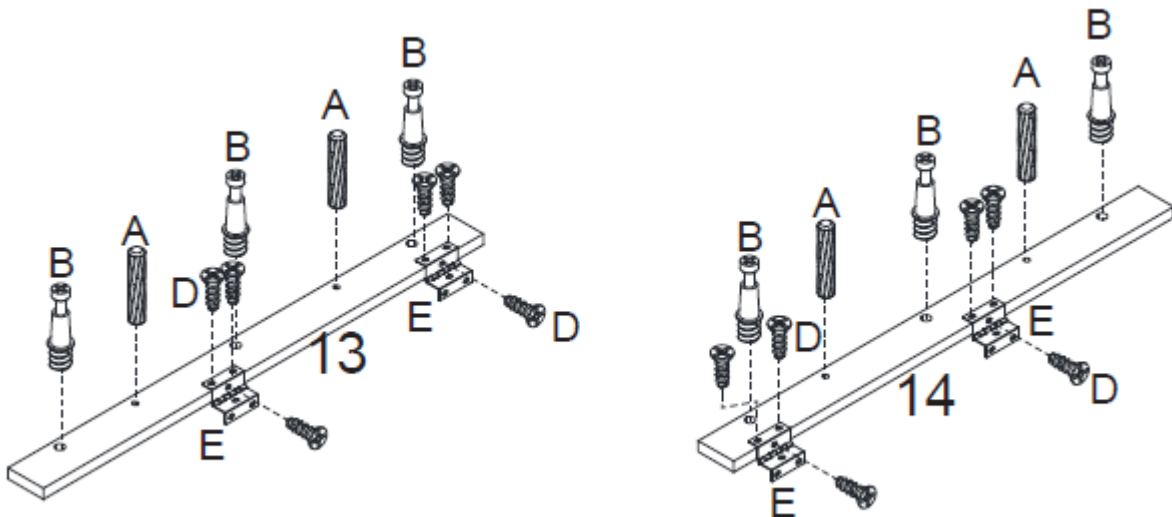
STEP 1



STEP 1

1. Attach 1 magnet plate (F) to left door (1) by inserting 1 wood screw (D) through hole on magnet plate (F) and tighten to left door (1).
2. Attach 1 handle (K) to left door (1) by inserting 2 machine screws (J) through holes on left door (1) and tighten to handle (K).
3. Repeat above steps to assemble another magnet plate (F) & handle (K) to right door (2).

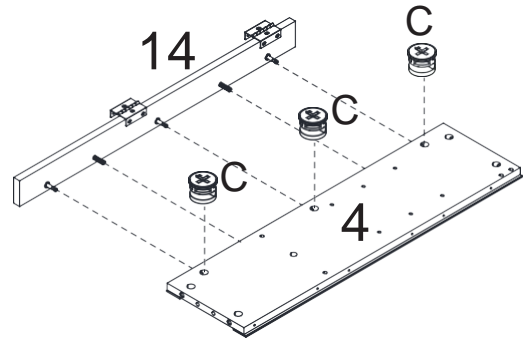
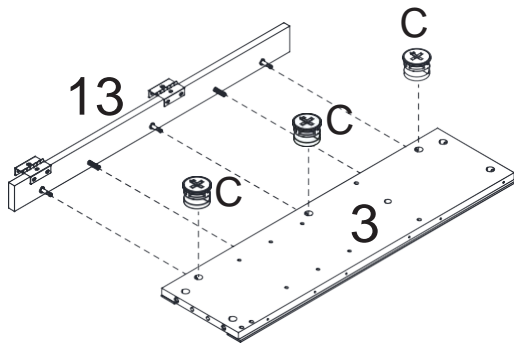
STEP 2



STEP 2

1. Insert 2 wood dowels (A) into dowel holes on right support board (13).
2. Screw 3 cam bolts (B) into pre-threaded holes on right support board (13).
3. Attach 2 metal hinges (E) to right support board (13) by inserting 6 wood screws (D) through holes on metal hinges (E) and tighten to right support board (13).
4. Repeat above steps for left support board (14).

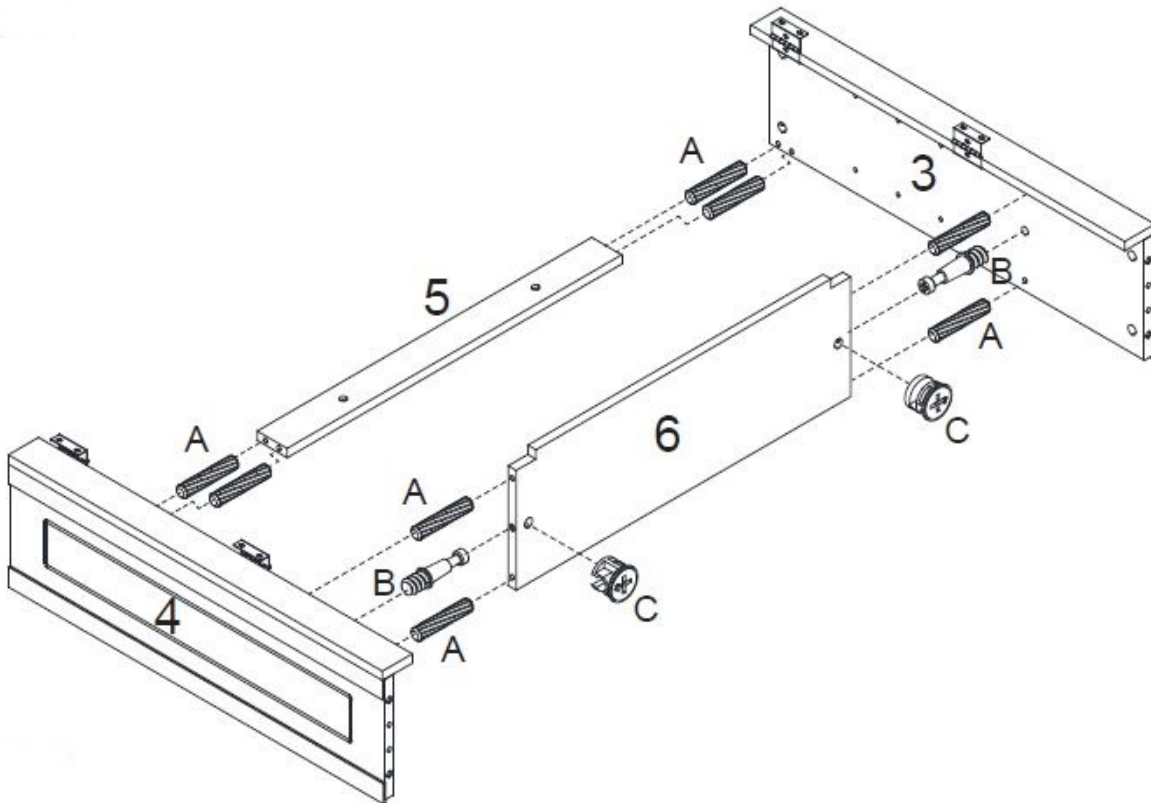
STEP 3



STEP 3

1. Attach right support board (13) to right side panel (3) by inserting wood dowels (A) into dowel holes and cam bolts (B) into cam lock holes on right side panel (3).
2. Insert 3 cam locks (C) into cam lock holes on right side panel (3) and rotate clockwise to secure cam bolts (B) in place.
3. Repeat above steps to assemble left side panel (4) and left support board (14).

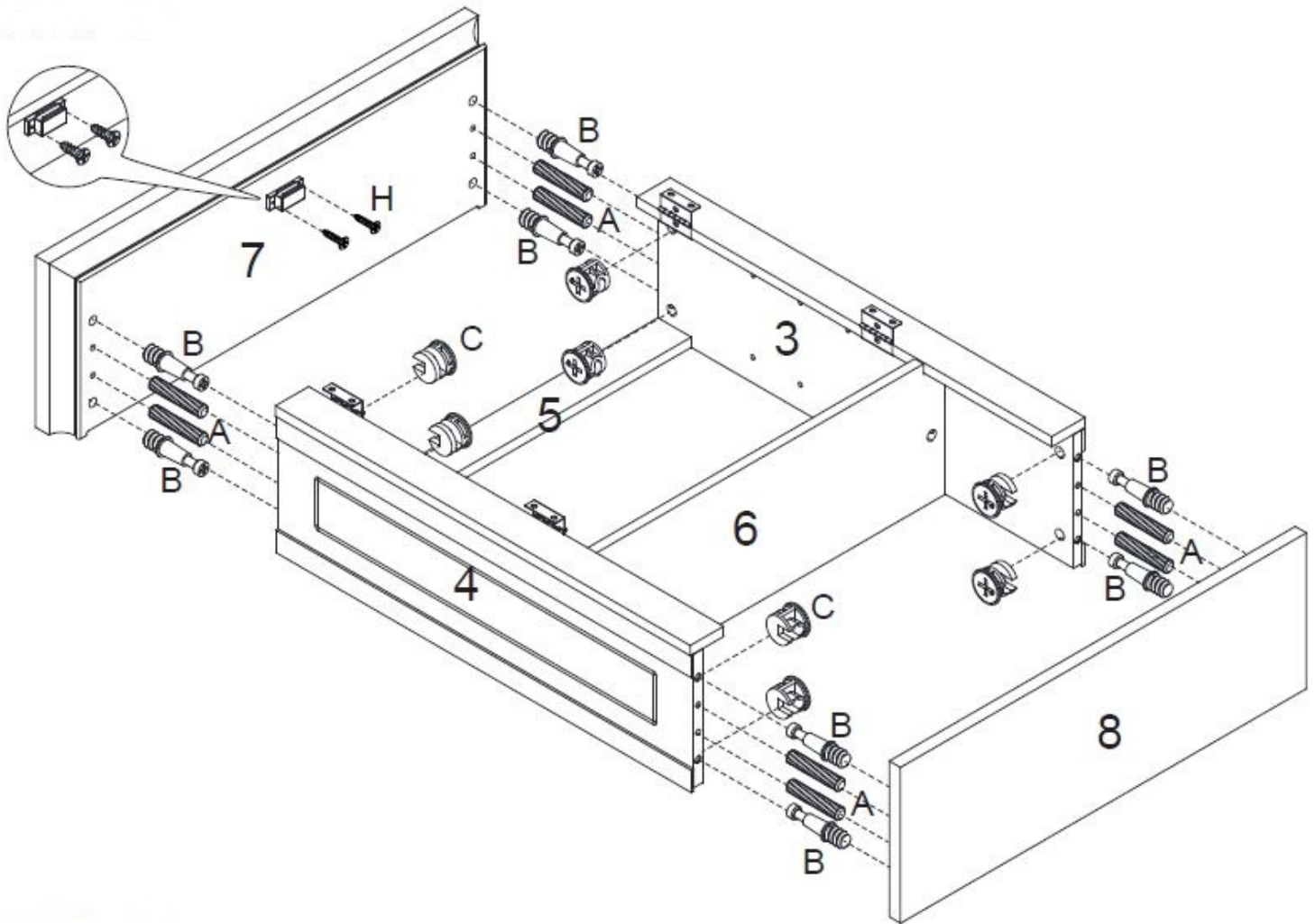
STEP 4



STEP 4

1. Screw 2 cam bolts (B) into pre-threaded hole on left side panel (4) and right side panel (3).
2. Insert 8 wood dowels (A) into dowel holes on left side panel (4) and right side panel (3).
3. Attach cross bar (5) to left side panel (4) by inserting wood dowels (A) into dowel holes on cross bar (5).
4. Attach shelf (6) to left side panel (4) by inserting cam bolt (B) and wood dowels (A) into holes on shelf (6), then insert 1 cam lock (C) into cam lock hole on shelf (6) and rotate clockwise to secure the cam bolt (B) in place.
5. Attach right side panel (3) to cross bar (5) and shelf (6) by inserting wood dowels (A) into holes on cross bar (5), and inserting cam bolt (B) and wood dowels (A) into holes on shelf (6).
6. Insert 1 cam lock (C) into cam lock hole on shelf (6) and rotate clockwise to secure cam bolt (B) in place.

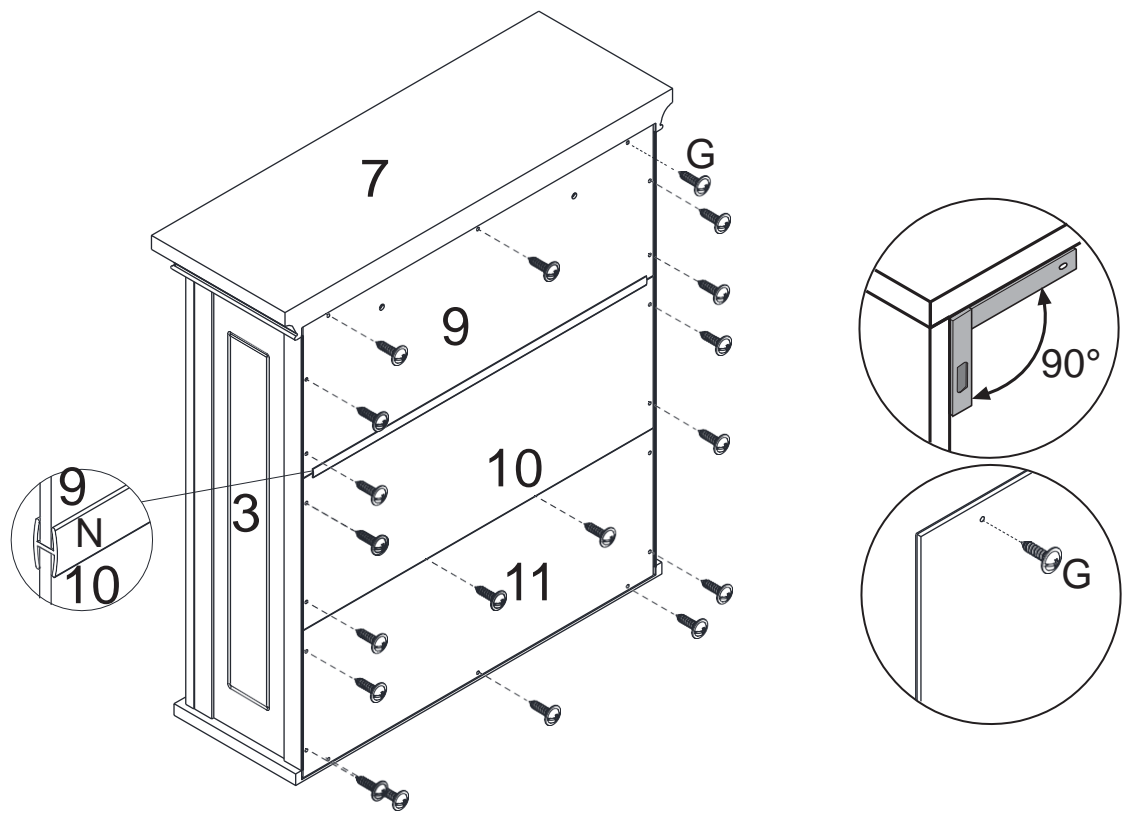
STEP 5



STEP 5

1. Screw 4 cam bolts (B) into the pre-threaded holes on bottom board (8).
2. Insert 4 wood dowels (A) into dowel holes on bottom board (8).
3. Attach bottom board (8) to left side panel (4) and right side panel (3) by inserting cam bolts (B) and wood dowels (A) into holes on left side panel (4) and right side panel (3).
4. Insert 4 cam locks (C) into cam lock holes on left side panel (4) and right side panel (3) and rotate clockwise to secure cam bolts (B) in place.
5. Attach magnet (H) to top board (7) by inserting 2 wood screws (H) through holes on magnet (H) and tighten to bottom of top board (7).
6. Screw 4 cam bolts (B) into pre-threaded holes on top board (7).
7. Insert 4 wood dowels (A) into dowel holes on the bottom of top board (7).
8. Attach top board (7) to left side panel (4) & right side panel (3) by inserting wood dowels (A) and cam bolts (B) into dowel holes and cam lock holes on left side panel (4) and right side panel (3).
9. Insert 4 cam locks (C) into cam lock holes on left side panel (4) and right side panel (3) and rotate clockwise to secure cam bolts (B) in place.

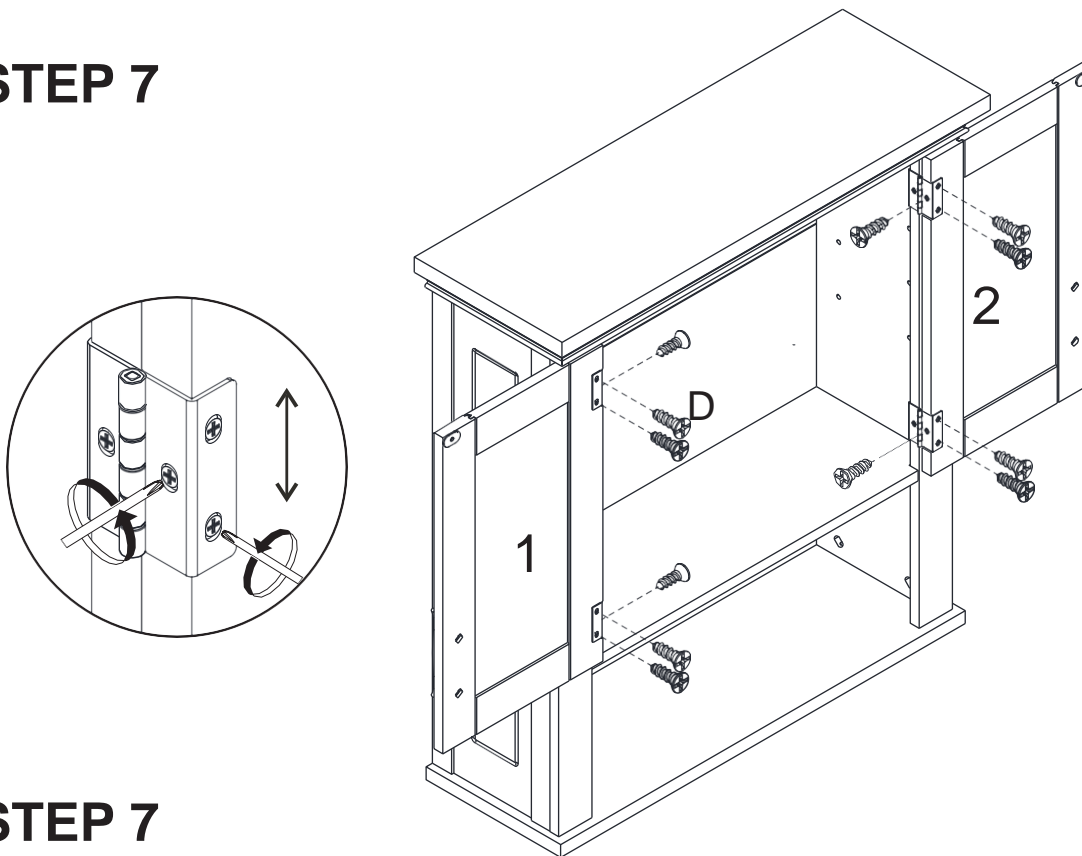
STEP 6



STEP 6

1. Connect upper back board (9) and middle back board (10) together by sliding into plastic connection strip (N).
2. Attach upper back board (9) and middle back board (10) to cabinet by inserting wood screws (G) through holes on upper back board (9) and middle back board (10), then tighten to cabinet.
3. Attach lower back board (11) to cabinet by inserting wood screws (G) through holes on lower back board (11) and tighten to cabinet.

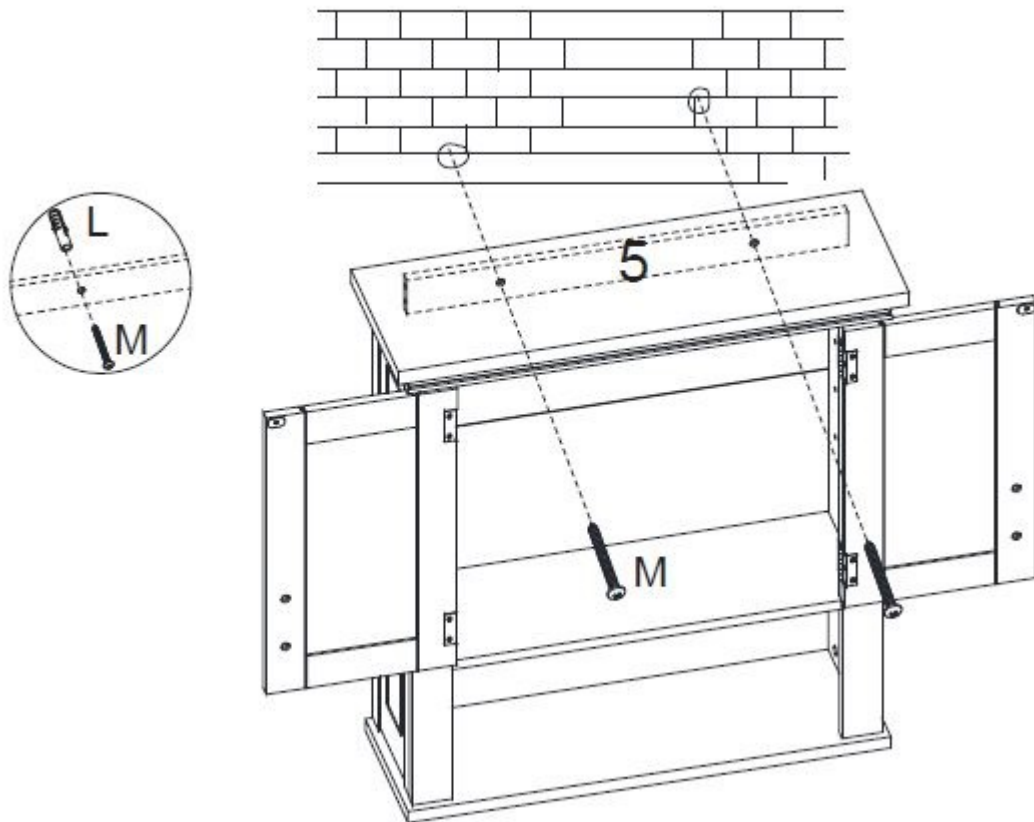
STEP 7



STEP 7

1. Attach left door (1) to left support panel (14) by inserting 6 wood screws (D) through holes on metal hinges (E) and tighten to left door (1).
2. Repeat above step to assemble right door (2).
3. Adjust hinges to make doors close tight as needed.

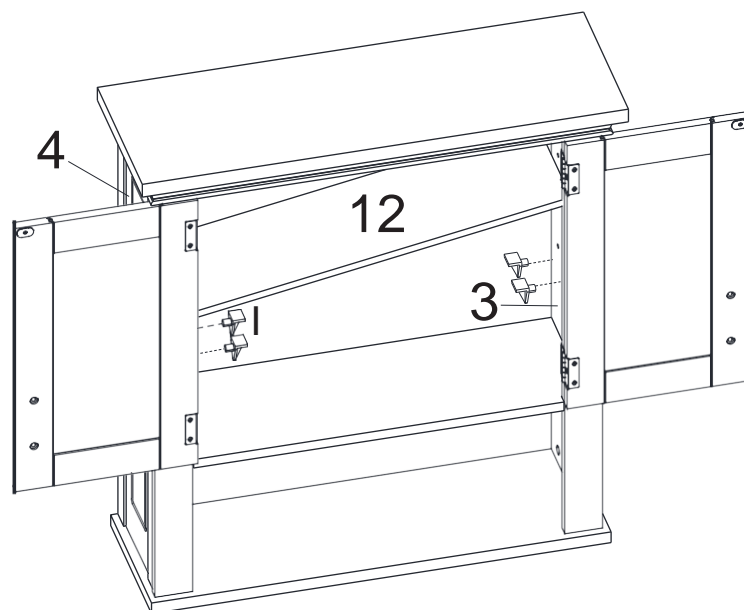
STEP 8



STEP 8

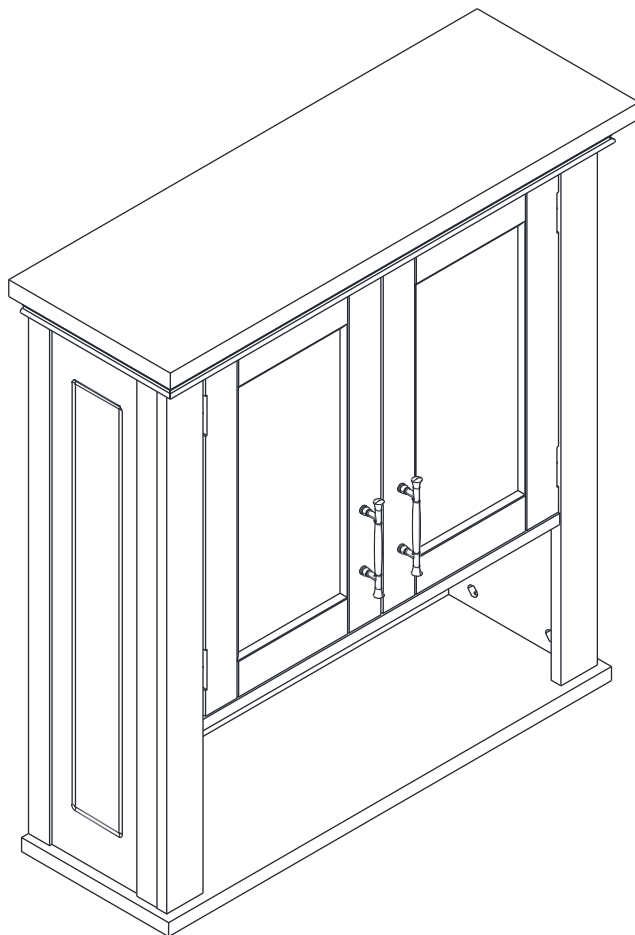
1. Place drawing with hole positions on wall in desired position and drill 2 holes.
2. Insert 2 plastic anchors (L) into holes and attach cabinet in place by inserting 2 long wood screws (M) through holes on cross bar (5) and tighten into plastic anchors (L) in wall.

STEP 9




STEP 9

1. Insert 4 plastic holders (1) into holes on left side panel (4) and right side panel (3).
2. Make sure shelf holders (1) are at same height.
3. Place adjustable shelf (12) onto shelf holders (1).



ENJOY YOUR NEW RiverRidge® CABINET NOW!

Attention Adults: Cabinet should be checked periodically for damage or loose screws/parts. Take appropriate action necessary to correct hazards such as tightening of screws and taking any damaged parts away from children.

Warning  **Please make sure your item is secured to the wall, per assembly instructions.**

Thank you for purchasing this RiverRidge® Kids Products item. We hope you enjoy it and consider purchasing other RiverRidge® items.

Send requests for missing or damaged parts replacements by email to:

customer.service@ssi-rr.com or call toll free 1-(844)-223-5201 or order parts on line at www.riverridgehome.com

RiverRidge® is a registered trademark of Sourcing Solutions, Inc., Hudson, WI 54016.

