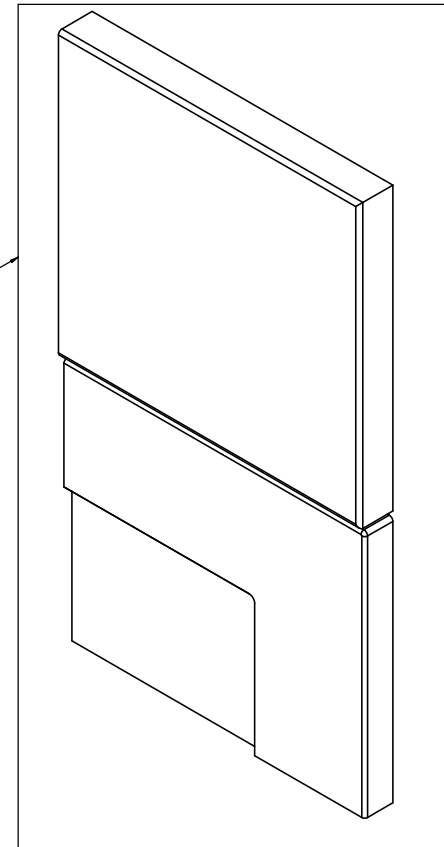
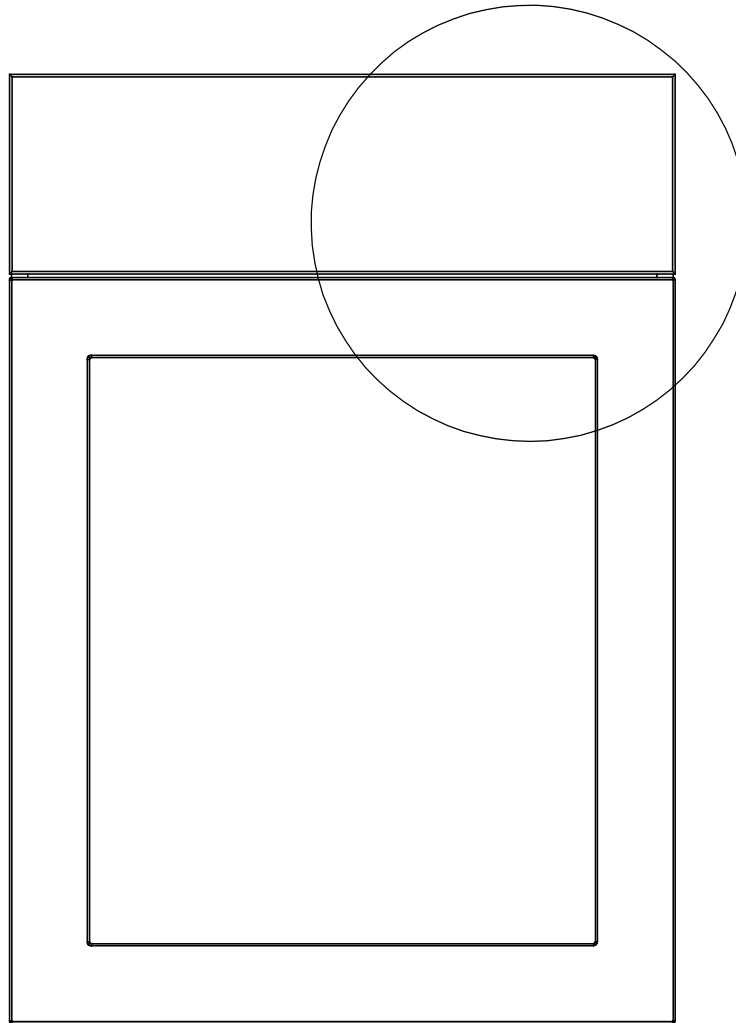


Item ID	Front Thickness [in] mm	Door Thickness [in] mm
CM2135B-WH	[.63] 16	[.63] 16

This profile belongs to CM2135B-WH



Detailed View

Profile: Cambridge White

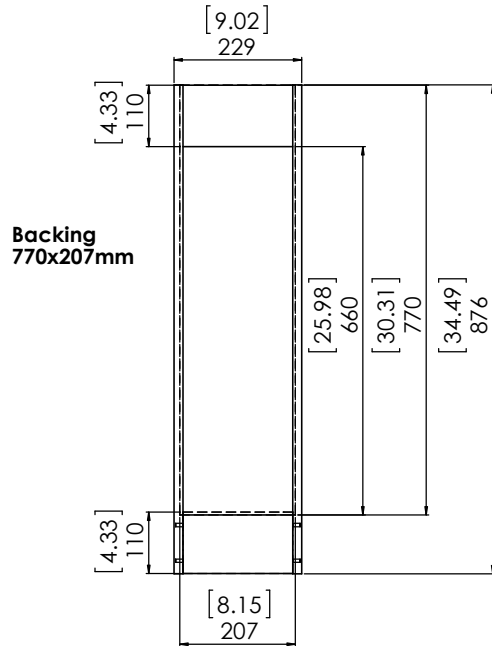
PROPRIETARY AND CONFIDENTIAL
THE INFORMATION CONTAINED IN THIS DRAWING IS THE SOLE PROPERTY OF WOODCRAFTERS. ANY REPRODUCTION IN PART OR AS A WHOLE WITHOUT THE WRITTEN PERMISSION OF WOODCRAFTERS IS PROHIBITED.

UNLESS OTHERWISE SPECIFIED
DIMENSIONS ARE IN MM AND [INCHES]
TOLERANCES ARE
+.039[1]-.039[1]
SCALE:1:2

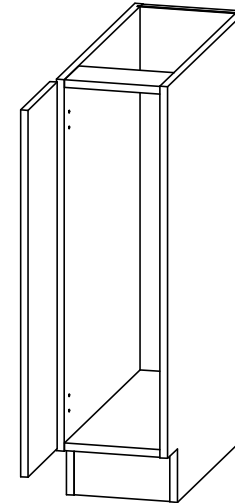
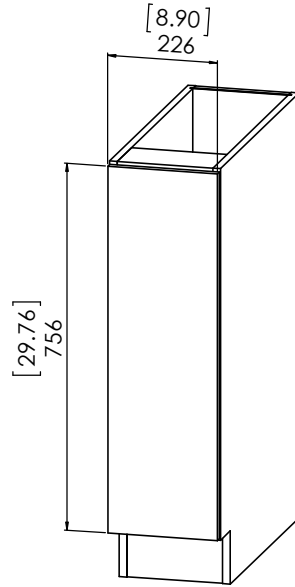


Item ID	Shelf Thickness [in] mm	Shelf Length and Width	Depth "X" [in] mm
BT0935B-BT	N/A	N/A	[24.7] 626.5
BT0935B-WH	N/A		[24.5] 622.5
BT0935B-RC	N/A		[24.7] 626.5
CM0935B-DK	N/A		[24.7] 626.5
CM0935B-WH	N/A		[24.5] 622.5
EH0935B-GB	N/A		[24.7] 626.5

Description					
Kitchens-Base Cabinet 9.0W x 34.5H					
REV	ECO#	Description	REV'D BY DATE	CHK'D BY DATE	APRV'D BY DATE

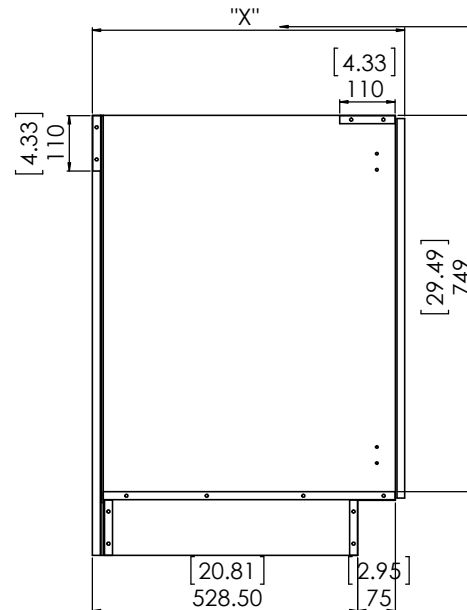
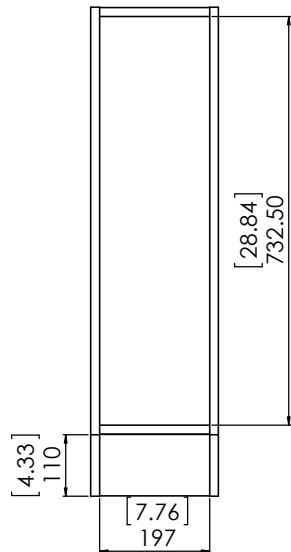


Back View




Isometric View

Front View (front door removed)



Depth "X" depends on door profile

Side View (left panel removed)

NAME	SIGNATURE	DATE	MATERIAL:	
DRAWN	Mark Flores	0/30/17		
CHK'D				
APPV'D				
MFG			WEIGHT:	Base_Cabinet_9in A1
PROPRIETARY AND CONFIDENTIAL THE INFORMATION CONTAINED IN THIS DRAWING IS THE SOLE PROPERTY OF WOODCRAFTERS. ANY REPRODUCTION IN PART OR AS A WHOLE WITHOUT THE WRITTEN PERMISSION OF WOODCRAFTERS IS PROHIBITED.			UNLESS OTHERWISE SPECIFIED DIMENSIONS ARE IN mm AND (INCHES) TOLERANCES ARE +/- .10(.039)	SCALE:1:5 SHEET 1 OF 1