

STERLING®

A KOHLER COMPANY

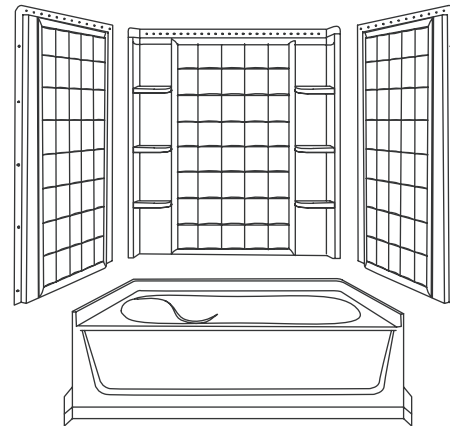
ENSEMBLE™

Features

- Compression molded from our exclusive solid Vikrell® material
- Gentle sloping back, neck, and armrest in bath design
- Above-floor-drain (AFD) rough-in
- Factory installed injection molded apron extension and undersupport structure
- Tongue-and-groove 4-piece modular design allows for easy "snap together" installation
- Durable high-gloss finish
- 10-year consumer/3-year commercial limited warranty
- 18-1/4" (46.4 cm) bath depth (floor to top of threshold)
- 60-1/4" (153 cm) x 43-1/2" (110.5 cm) x 75-1/2" (191.8 cm) complete unit rough-in dimensions include flanges
- 60" (152.4 cm) x 42" (106.7 cm) x 74-1/4" (188.6 cm) complete unit finished dimensions

42" (106.7 cm) AFD BATH AND WALL SURROUND

71110112
ALSO 71110122



Codes/Standards Applicable

Specified model meets or exceeds the following:

- ANSI Z124.1.2
- CSA B45
- ASTM E162
- ASTM E662

Colors/Finishes

- 0: White
- Other: Refer to Price Book for additional colors/finishes

Specified Model

Model	Complete Unit Description	Colors/Finishes	
71110112	42" (106.7 cm) AFD bath and wall surround, left drain	<input type="checkbox"/> 0	<input type="checkbox"/> Other _____
71110122	42" (106.7 cm) AFD bath and wall surround, right drain	<input type="checkbox"/> 0	<input type="checkbox"/> Other _____

Model	Wall Component Description	Colors/Finishes	
71112100	Back wall	<input type="checkbox"/> 0	<input type="checkbox"/> Other _____
71113110	Left end wall	<input type="checkbox"/> 0	<input type="checkbox"/> Other _____
71113120	Right end wall	<input type="checkbox"/> 0	<input type="checkbox"/> Other _____
71114100	Complete wall set	<input type="checkbox"/> 0	<input type="checkbox"/> Other _____
71115100	End wall set	<input type="checkbox"/> 0	<input type="checkbox"/> Other _____

Model	Access Panel Component Description	Colors/Finishes	
71110119	AFD complete unit with access panel, left drain	<input type="checkbox"/> 0	<input type="checkbox"/> Other _____
71110129	AFD complete unit with access panel, right drain	<input type="checkbox"/> 0	<input type="checkbox"/> Other _____
71111119	AFD bath only with access panel, left drain	<input type="checkbox"/> 0	<input type="checkbox"/> Other _____
71111129	AFD bath only with access panel, right drain	<input type="checkbox"/> 0	<input type="checkbox"/> Other _____

ENSEMBLE™

Technical Information

Fixture*:	
Basin area:	
Bathing well	40" (101.6 cm) x 27" (68.6 cm)
Top area	52" (132.1 cm) x 35" (88.9 cm)
To overflow:	
Water depth	11" (27.9 cm)
Capacity	55 gal (208.2 L)
* Approximate measurements for comparison only.	

Model	door maximum width	door maximum height
71110112	58-1/2" (148.6 cm)	56" (142.2 cm)
71110122		

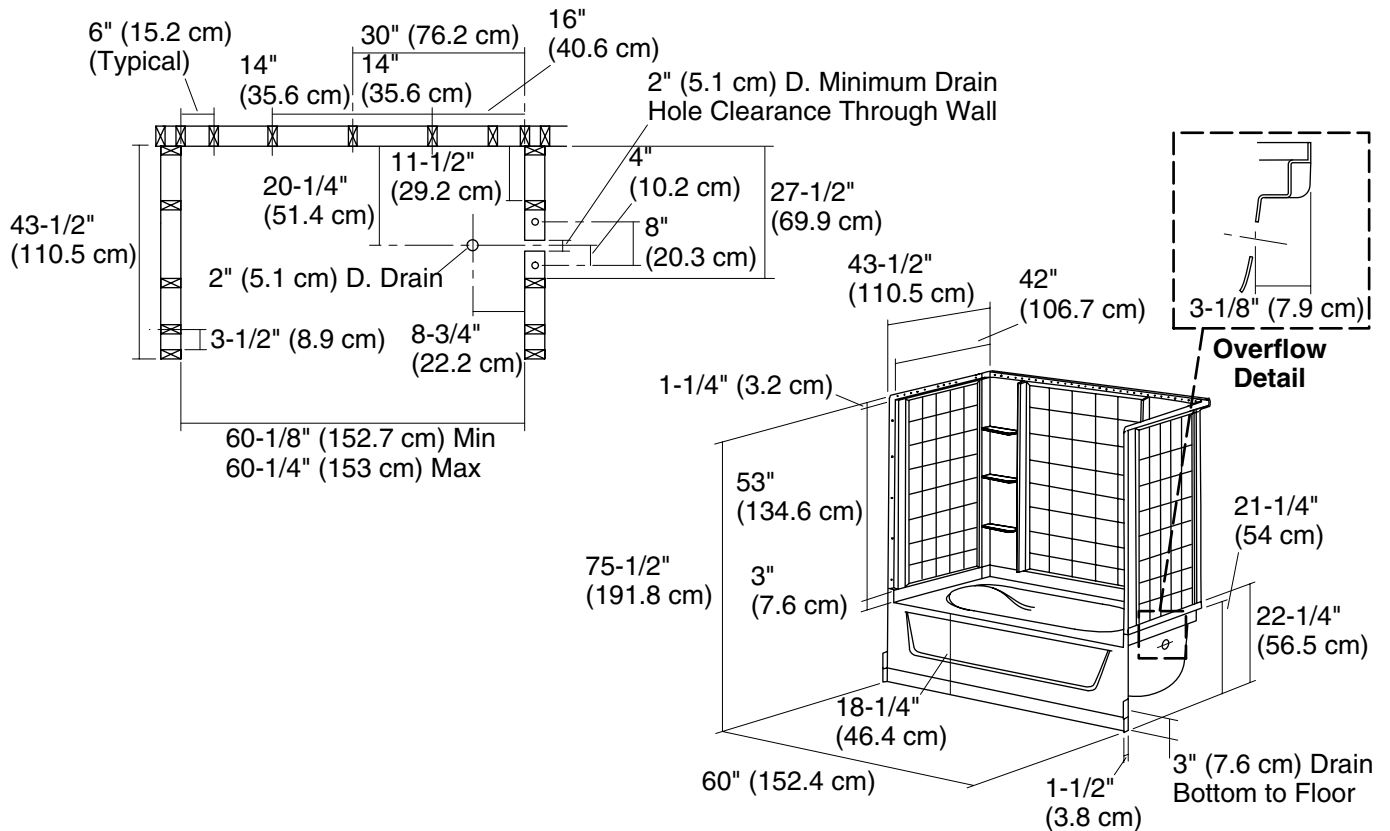
Installation Notes

Install this product according to the installation guide.

Size the drain hole clearance to fit the drain assembly that will be used.

End stud positioning is critical if apron nailing-in flanges are to be used.

Studs should be positioned roughly as shown.



Product Diagram