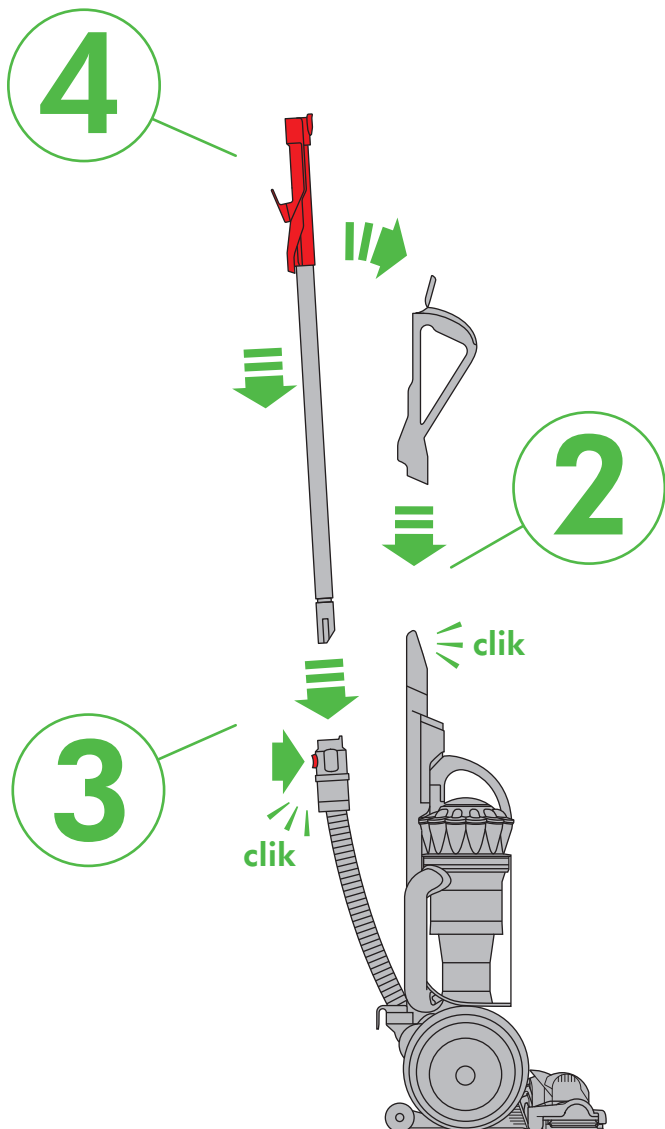
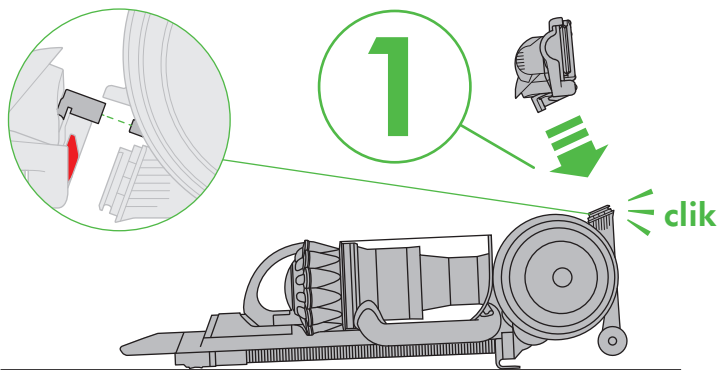


dyson light ball

OPERATING MANUAL INSTRUCCIONES DE SEGURIDAD

ASSEMBLY ARMADO

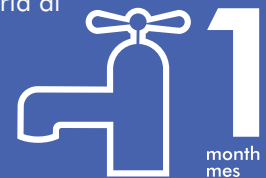


WASH FILTERS

Wash filters with cold water at least every month.

LAVADO DE LOS FILTROS

Lave los filtros con agua fría al menos cada mes.



REGISTER TODAY

3 easy ways to register your 2 year limited warranty.

REGISTRE HOY

3 maneras fáciles de registrar su garantía limitada de 2 años.



IMPORTANT SAFETY INSTRUCTIONS

BEFORE USING THIS MACHINE READ ALL INSTRUCTIONS AND CAUTIONARY MARKINGS IN THIS MANUAL AND ON THE MACHINE

When using an electrical appliance, basic precautions should always be followed, including the following:

WARNING

These warnings apply to the machine, and also where applicable, to all tools, accessories, chargers or mains adaptors.

TO REDUCE THE RISK OF FIRE, ELECTRIC SHOCK, OR INJURY:

1. This Dyson machine is not intended for use by young children or infirm persons with reduced physical, sensory or reasoning capabilities, or lack of experience and knowledge, unless they have been given supervision or instruction by a responsible person concerning use of the machine to ensure that they can use it safely.
2. Do not allow to be used as a toy. Close attention is necessary when used by or near children. Children should be supervised to ensure that they do not play with the machine.
3. Use only as described in this Dyson Operating Manual. Do not carry out any maintenance other than that shown in this manual, or advised by the Dyson Helpline.
4. Suitable for dry locations ONLY. Do not use outdoors or on wet surfaces.
5. Do not use to pick up water.
6. Do not handle any part of the plug or machine with wet hands.
7. Do not use with a damaged cord or plug. If the supply cord is damaged it must be replaced by Dyson, its service agent or similarly qualified persons in order to avoid a hazard.
8. If the machine is not working as it should, has received a sharp blow, has been dropped, damaged, left outdoors, or dropped into water, do not use and contact the Dyson Helpline.
9. Contact the Dyson Helpline when service or repair is required. Do not disassemble the machine as incorrect reassembly may result in an electric shock or fire.
10. Do not stretch the cord or place the cord under strain. Keep the cord away from heated surfaces. Do not close a door on the cord, or pull the cord around sharp edges or corners. Arrange the cord away from traffic areas and where it will not be stepped on or tripped over. Do not run over the cord.
11. Do not unplug by pulling on the cord. To unplug, grasp the plug, not the cord. The use of an extension cord is not recommended.
12. Do not use to pick up flammable or combustible liquids, such as gasoline, or use in areas where they or their vapors may be present.
13. Do not pick up anything that is burning or smoking, such as cigarettes, matches, or hot ashes.
14. Keep hair, loose clothing, fingers, and all parts of the body away from openings and moving parts. Do not point the hose, wand or tools at your eyes or ears or put them in your mouth.
15. Do not put any object into openings. Do not use with any opening blocked; keep free of dust, lint, hair, and anything that may reduce airflow.
16. Use only Dyson recommended accessories and replacement parts.
17. To avoid a tripping hazard wind the cord when not in use.
18. Do not use without the clear bin and filter in place.
19. Do not leave the machine when plugged in. Unplug when not in use and before servicing.
20. Do not pull or carry by cord or use cord as a handle.
21. Use extra care when cleaning on stairs. Do not work with the machine above you on the stairs.
22. Turn off all controls before unplugging. Unplug before connecting any tool or accessory.
23. **FIRE WARNING** – Do not apply any fragrance or scented product to the filter(s) of this machine. The chemicals in such products are known to be flammable and can cause the machine to catch fire.

24. **WARNING:** This product contains chemicals known to the State of California to cause cancer, birth defects or other reproductive harm. Wash hands after handling.

READ AND SAVE THESE INSTRUCTIONS

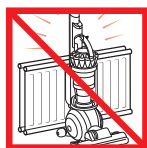
THIS DYSON MACHINE IS INTENDED FOR HOUSEHOLD USE ONLY

POLARIZATION INSTRUCTIONS

To reduce the risk of electric shock, this machine has a polarized plug (one blade is wider than the other). This plug will fit in a polarized outlet only one way. If the plug does not fit fully in the outlet, reverse the plug. If it still does not fit, contact a qualified electrician to install the proper outlet. Do not attempt to defeat this safety feature and do not change the plug in any way.



Do not pull on the cord.



Do not store near heat sources.



Do not use near open flames.



Do not run over the cord.



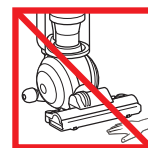
Do not pick up water or liquids.



Do not pick up burning objects.



Do not use above you on the stairs.



Do not put hands near the brush bar when the machine is in use.

INSTRUCCIONES DE SEGURIDAD IMPORTANTES

ANTES DE UTILIZAR ESTA MÁQUINA, LEA TODAS LAS INSTRUCCIONES Y LA INDICACIONES DE PRECAUCIÓN QUE VIENEN TANTO EN ESTE MANUAL COMO EN LA MÁQUINA

Cuando se usa un aparato eléctrico, deben seguirse las precauciones básicas para reducir riesgos de incendio, descarga eléctrica y lesiones personales, que incluyen lo siguiente:

PELIGRO

Estas advertencias se aplican a la máquina, a todas las herramientas y accesorios, así como a lo que corresponda a cualquier cargador o adaptador de alimentación.

PARA DISMINUIR EL RIESGO DE PROVOCAR UN INCENDIO, RECIBIR UNA DESCARGA ELÉCTRICA O LESIONES:

1. Esta máquina Dyson no fue diseñada para que sea utilizada por niños o personas débiles con capacidades físicas, sensoriales o mentales reducidas, o que carezcan de conocimiento y experiencia al respecto, a menos que sean supervisadas o hayan recibido instrucciones por parte de una persona responsable.
2. No permita que se utilice como un juguete. Es necesaria la atención de un adulto cuando es utilizada por o cerca a un niño. Los niños deben ser supervisados para asegurarse de que no jueguen con la máquina.
3. Utilícela solamente como se describe en este manual de funcionamiento Dyson. No realice ningún otro mantenimiento que no sea el mostrado en este manual, o el recomendado por la línea de ayuda de servicio al cliente Dyson.
4. Adecuada SOLAMENTE para lugares secos. No utilice para aspirar agua u otros líquidos.
5. No utilice para aspirar agua u otros líquidos.
6. No manipule el enchufe o de la máquina con las manos mojadas.
7. No lo use si el cable o el enchufe están dañados. Si se ha dañado el cable de corriente, deberá ser reemplazado por Dyson, uno de sus representantes de servicio u otra persona igualmente capacitada a fin de evitar un peligro.
8. Si la máquina no funciona como es debido, ha recibido un golpe fuerte o se ha caído, dañado, dejado a la intemperie, o sumergido en agua, no lo utilice y comuníquese con la línea de ayuda de servicio al cliente Dyson.
9. Comuníquese con la línea de ayuda de servicio al cliente Dyson cuando se requiera mantenimiento o reparación. No desmonte la máquina, ya que un montaje incorrecto puede provocar descargas eléctricas o incendios.
10. No estire el cable ni permita que ejerza presión. Manténgalo alejado de superficies calientes. No apriete el cable cuando cierre la puerta ni tire del cable en bordes o puntas filosas. Acomode el cable de tal modo que quede alejado de áreas transitadas y lugares donde se lo pise o cause tropezos. No pise el cable con la máquina.
11. No desconecte la máquina tirando del cable. Para desconectar, tome el enchufe y no el cable. No es recomendable utilizar una extensión de cable.
12. No aspire líquidos inflamables o combustibles como gasolina, ni la utilice en áreas donde pueda haber este tipo de líquido.
13. No aspire nada que se esté quemando o que emita humo, como cigarrillos, fósforos o cenizas calientes.
14. Mantenga el cabello, ropa suelta, los dedos y cualquier otra parte del cuerpo alejados de las aberturas y de las partes móviles. No apunte con la manguera, la empuñadura o los accesorios a los ojos u orejas, ni se los meta en la boca.
15. No obstruya las aberturas de la máquina con ningún objeto. No utilice la máquina si tiene alguna abertura obstruida; manténgalas libres de polvo, pelusas, cabellos o cualquier otra cosa que pueda reducir la circulación del aire.

16. Utilice solamente los accesorios y las piezas de repuesto recomendadas por Dyson.
17. Para evitar un peligro de tropiezo, enrolle el cable cuando no este en uso.
18. No lo utilice si el compartimiento cubo transparente y el filtro no están colocados en su lugar.
19. No se aleje de la máquina si está conectado. Desconéctelo si no lo está usando y antes de darle servicio.
20. No utilice el cable para jalar o transportar la máquina, ni use el cable como si fuera una asa.
21. Tenga mucho cuidado cuando utilice la máquina sobre una escalera. No trabaje con la máquina por encima de usted en la escalera.
22. Apague todos los controles antes de desconectar. Desenchufe antes de conectar cualquier herramienta o accesorio.
23. **ADVERTENCIA DE INCENDIO:** no aplique ninguna fragancia o producto perfumado a los filtros de la máquina. Se sabe que los químicos en estos productos son inflamables y pueden hacer que la máquina se incendie.
24. **ADVERTENCIA:** Este producto contiene sustancias químicas reconocidas por el estado de California como causantes de cáncer, anomalías congénitas y otros daños reproductivos. Lavarse las manos después de manipular el producto.

LEA Y GUARDE ESTAS INSTRUCCIONES

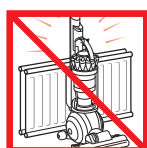
ESTA MÁQUINA DYSON ES PARA USO DOMÉSTICO SOLAMENTE

INSTRUCCIONES DE POLARIZACIÓN

Para disminuir el riesgo de choque eléctrico, esta máquina lleva un enchufe polarizado (una clavija es más ancha que la otra). Este enchufe se conecta a una toma de corriente polarizada de una sola forma. Si el enchufe no entra totalmente en la toma de corriente, dé la vuelta al enchufe. Si sigue sin entrar bien, póngase en contacto con un electricista calificado para instalar una toma de corriente correcta. No intente violar este dispositivo de seguridad, ni haga modificación alguna al enchufe.



No jale el cable.



No guarde la máquina cerca de fuentes de calor.



No utilice la máquina cerca de una llama.



No pise el cable con la máquina.



No aspire agua o líquidos.



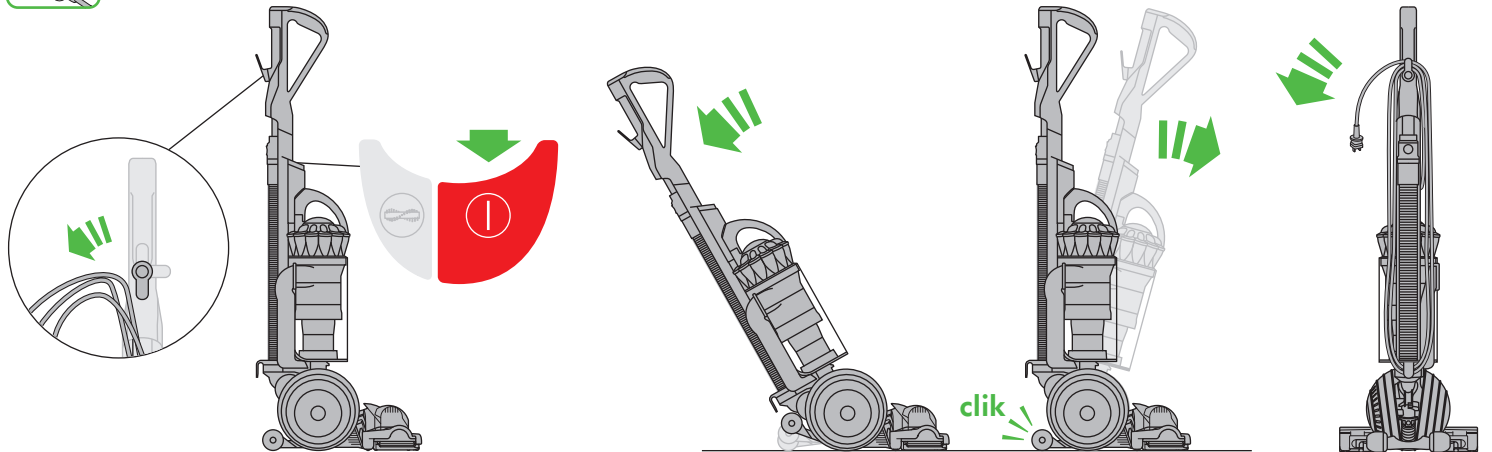
No aspire objetos que se estén quemando.



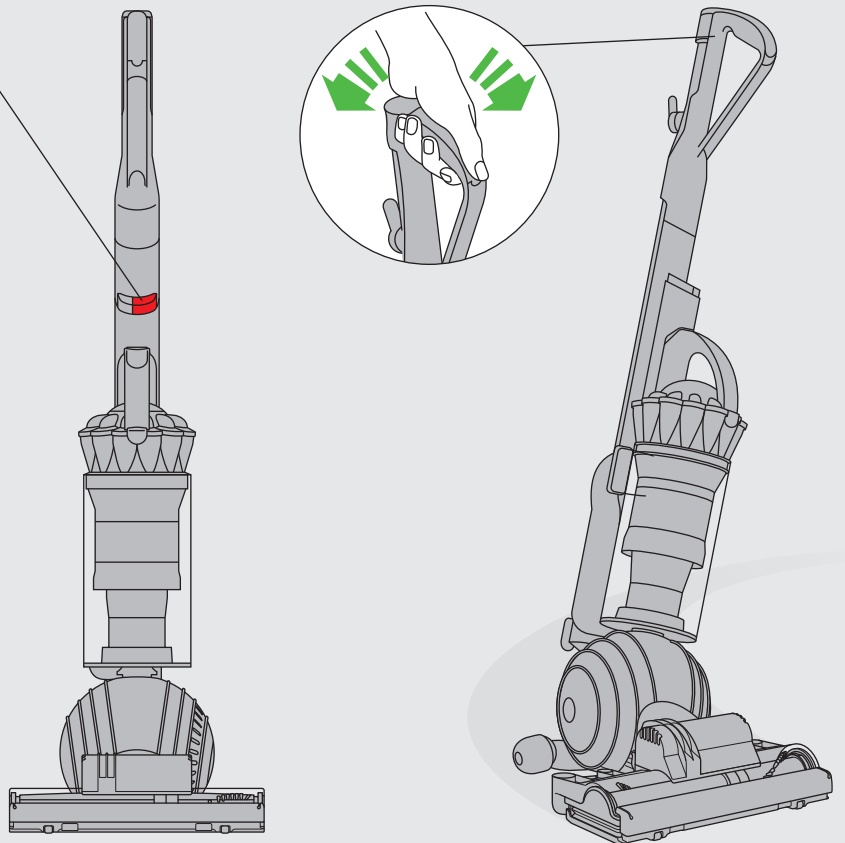
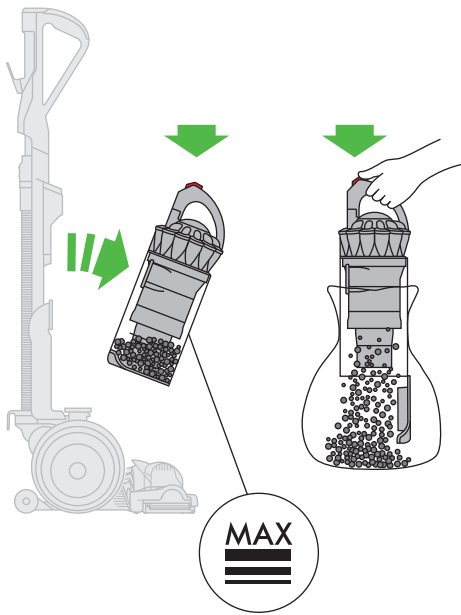
No utilice el aparato por encima de su cabeza si se encuentra sobre una escalera.



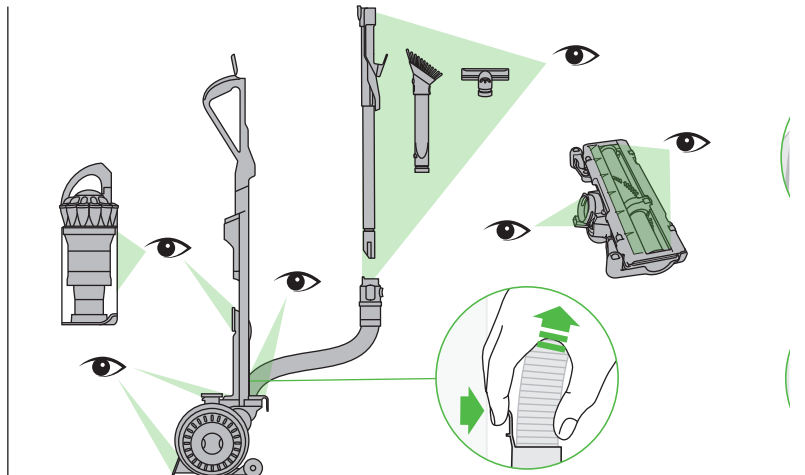
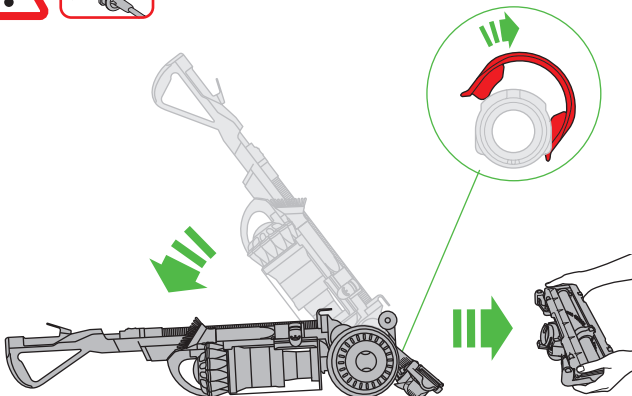
No coloque las manos cerca del cepillo cuando el aparato esté en funcionamiento.



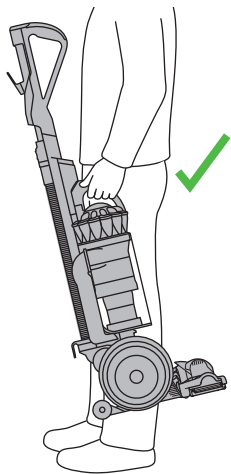
Emptying the clear bin
Cómo vaciar el cubo transparente



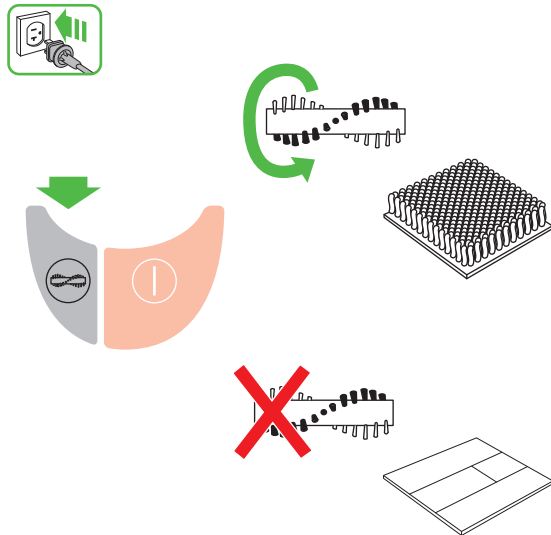
Looking for blockages
Cómo buscar obstrucciones



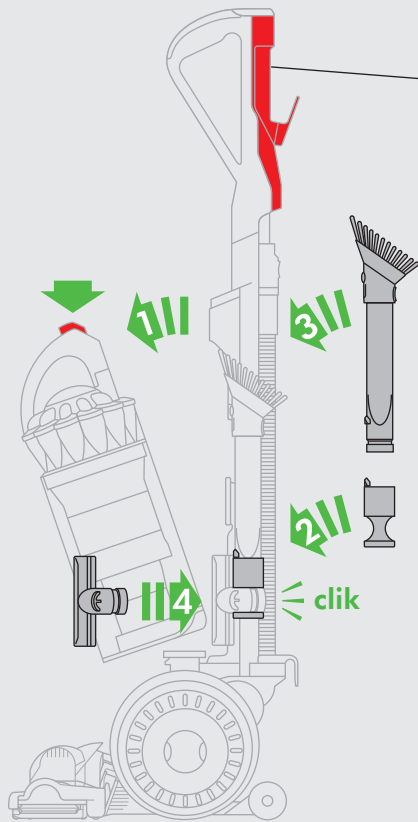
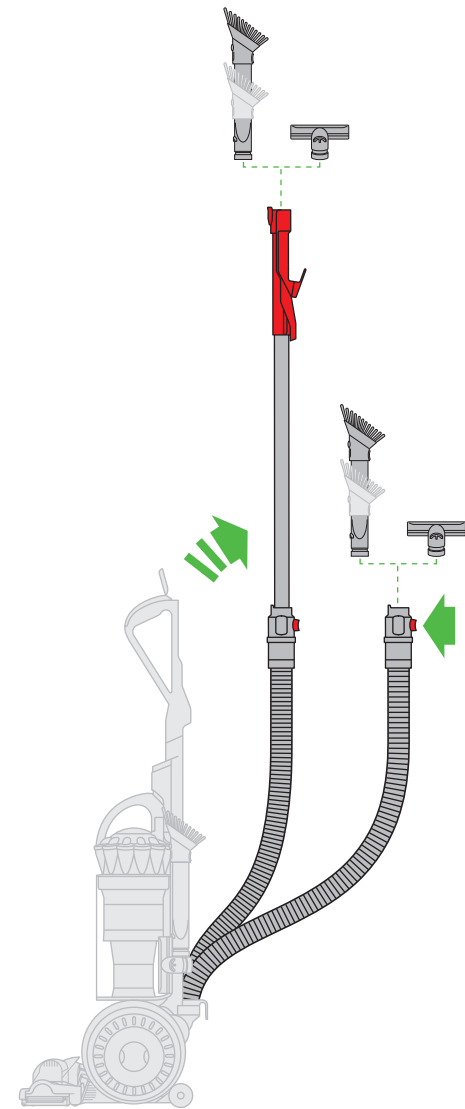
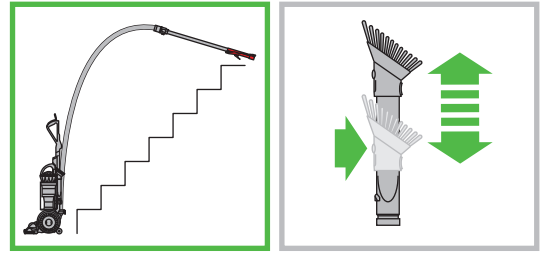
Carrying the machine
Para trasladar el aparato



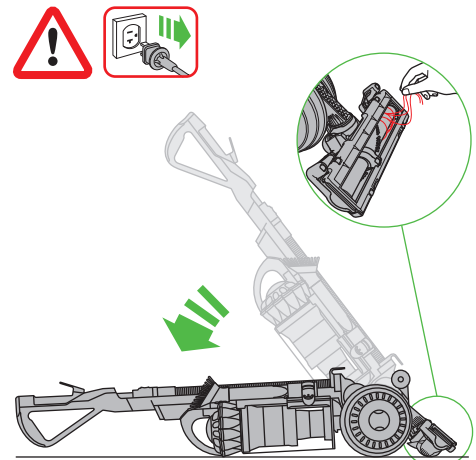
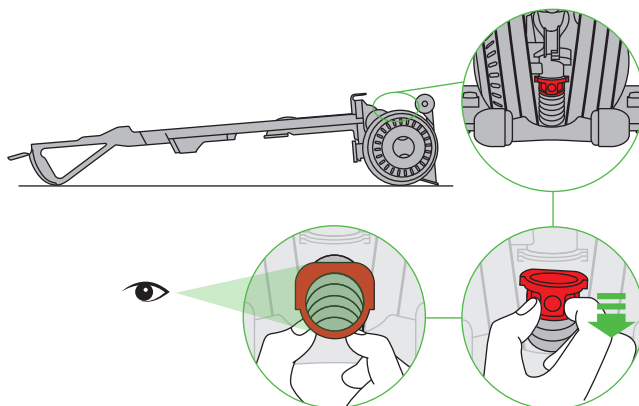
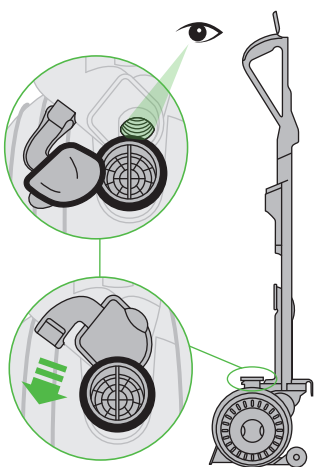
Carpets or hard floors
Alfombras o pisos duros



Tool attachments
Accesorios de herramientas



Brush bar – clearing obstructions
Cepillo: para eliminar obstrucciones

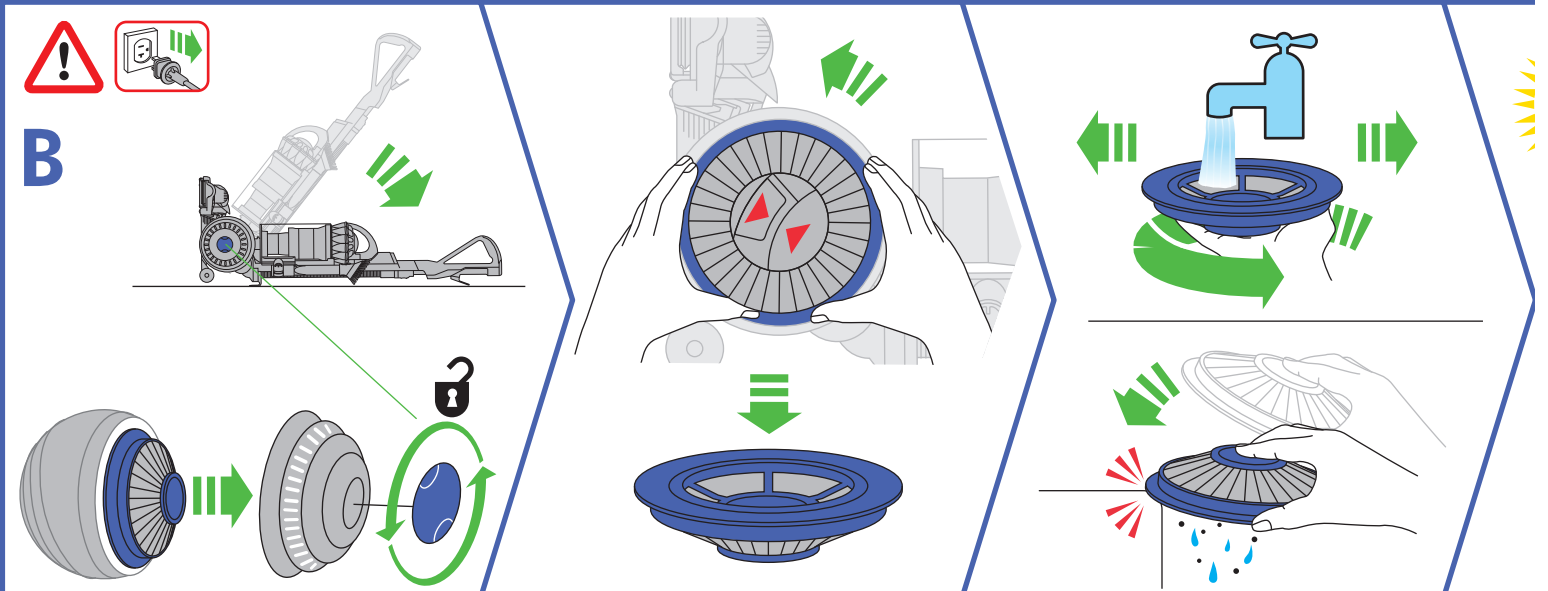
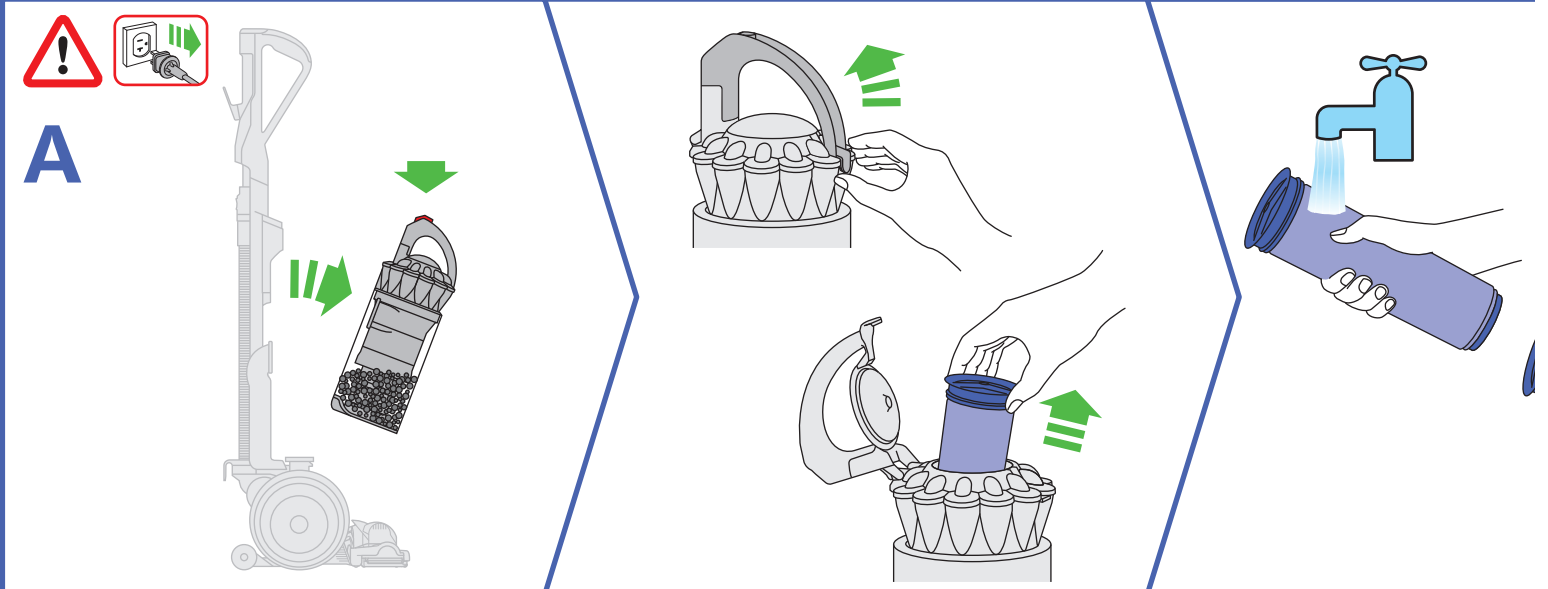


IMPORTANT!

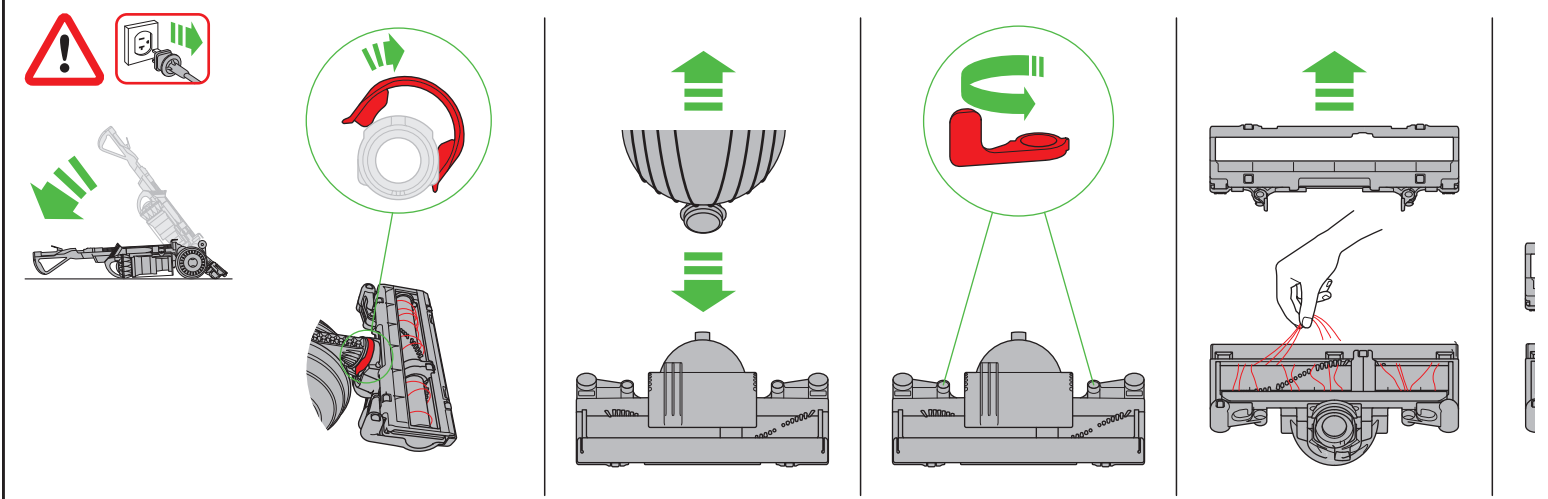
WASH FILTER

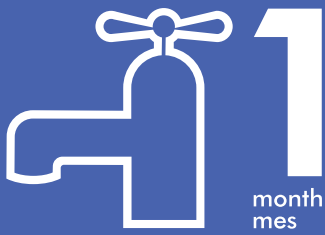
¡IMPORTANTE!

LAVE EL FILTRO



Base plate disassembly Mantenimiento del cepillo desarmar



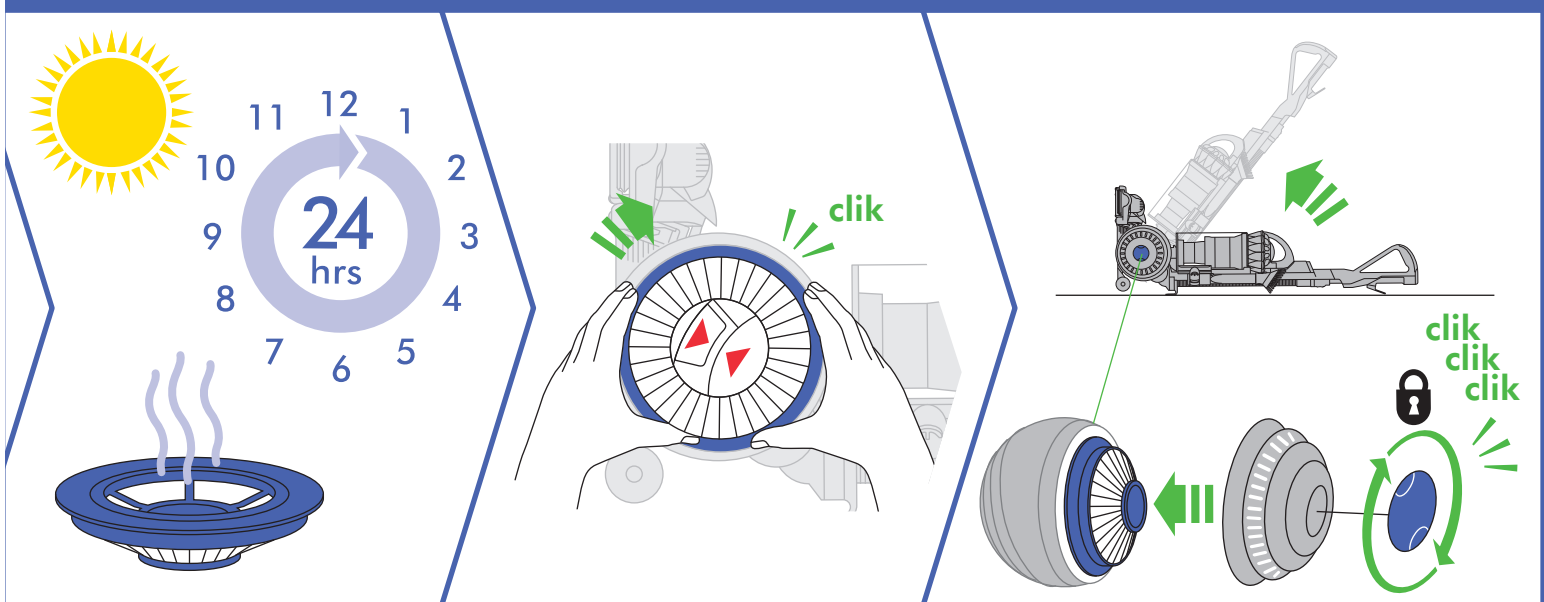
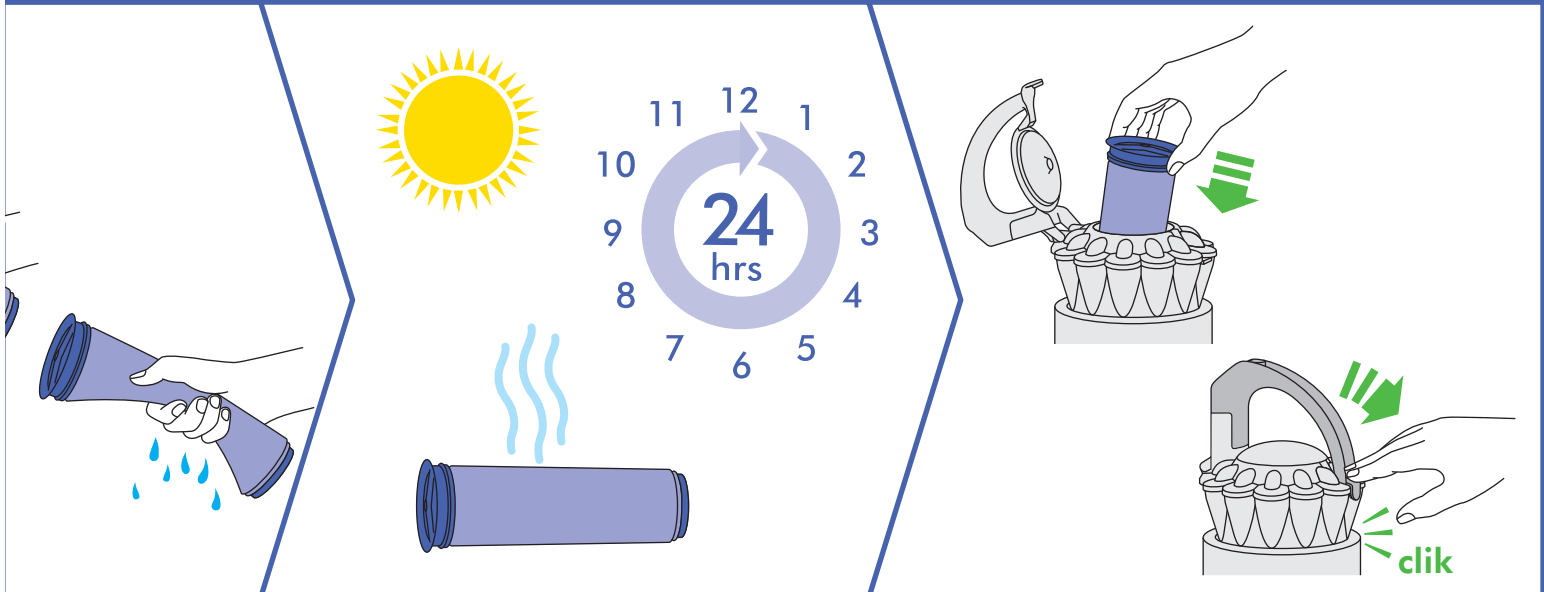


Wash filters with cold water at least every month.

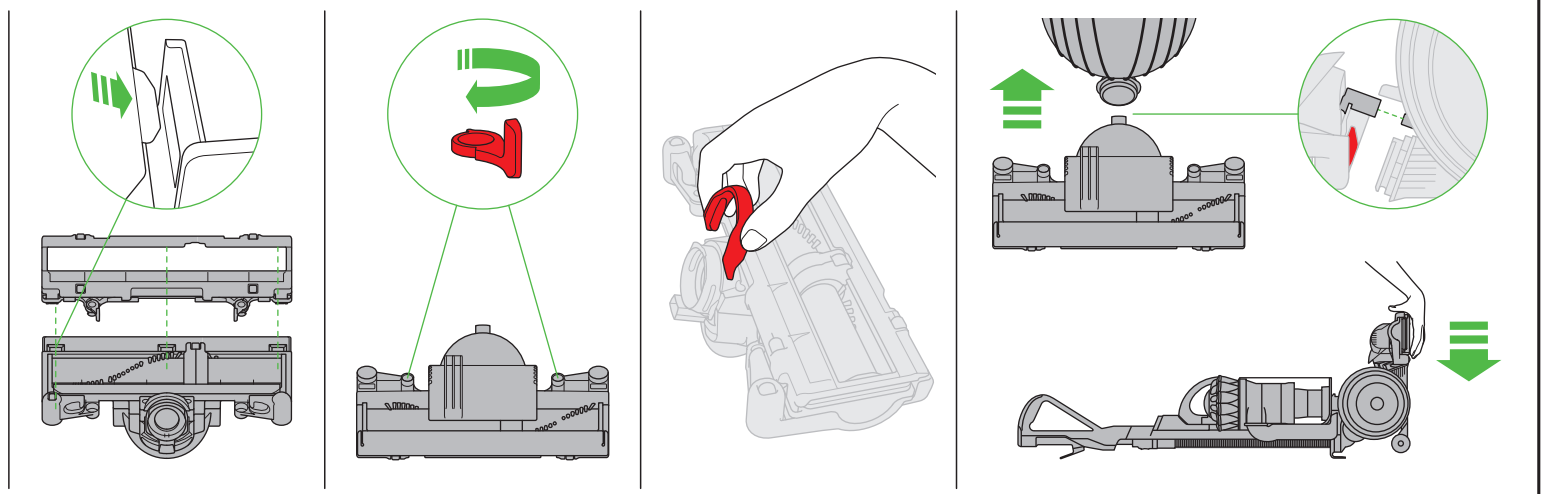
The filters may require more frequent washing if vacuuming fine dust.

Lave los filtros con agua fría al menos cada mes.

Si se va aspirar polvo fino será necesario lavar el filtros con mayor frecuencia.



Base plate reassembly
Mantenimiento del cepillo armar



USING YOUR DYSON MACHINE

PLEASE READ THE "IMPORTANT SAFETY INSTRUCTIONS" IN THIS DYSON OPERATING MANUAL BEFORE PROCEEDING.

ASSEMBLY

- Lay the machine on its back.
- Attach the cleaner head by sliding it on to the connections on the lower front part of the ball. Ensure the electrical plug on the cleaner head fits into the twin - block connection on the body of the machine, which is directly above the airway. Push firmly: the cleaner head will click into place.
- Stand the machine up straight.
- Attach the wand handle by sliding it on to the top of the machine. The spring clip in the handle will click into place.
- Ensure the hose is straight. Press the red button on the hose. Slide the wand into the hose.
- Ensure the wand and hose sit in the recess of the handle. Slide the end of the wand down into the handle to secure it.
- Attach the tools as shown. In use, the tools can be attached to either the hose or the wand.
- Wind the cable around the cable hooks. Secure with the clip.
- To watch a short online video visit:
www.dyson.com/up16gettingstarted

OPERATION

- Unwind the cable.
- Plug the machine into the mains electricity supply.
- To switch 'ON' or 'OFF' press the red power button, located as shown.
- To use, recline the handle. The stabilizer stand will automatically lift up.
- After use, return the machine to the upright position, pushing it firmly into place. The stabilizer wheels will automatically lower.
- Then unplug the machine, coil the cable safely and put the machine away.
- Switch 'OFF' the machine, unplug and ensure it is upright before:
 - changing or using tools
 - removing the hose or airway inspection parts.
- Use the cyclone carry handle to carry the machine.

ATTACHMENTS

- To release the wand, open the wand cap and pull the red tube up and away from the handle until it clicks into place.
- Should you wish to use the hose without the wand, follow the above instruction and press the red button to release the wand from the hose.

CARPETS OR HARD FLOORS

- The brush bar will always default to 'ON' (spinning) each time you switch the machine 'ON' and recline it for cleaning.
- The brush bar will not rotate when the machine is upright.
- To switch the brush bar 'OFF' (e.g. for delicate rugs and delicate flooring):
 - switch the machine 'ON'
 - recline the machine
 - press the brush bar 'ON/OFF' button – the brush bar will stop spinning.
- The brush bar will automatically stop if it becomes obstructed. See 'Brush bar – clearing obstructions'.
- Before vacuuming your flooring, rugs and carpets, check the manufacturer's recommended cleaning instructions.
- Some carpets may fuzz if a rotating brush bar is used when vacuuming. If this happens, we recommend vacuuming with the brush bar switched 'OFF' and consulting with the flooring manufacturer.
- The brush bar on the machine may damage some carpet types. If you are unsure, turn 'OFF' the brush bar.
- Check the brush bar regularly and clear away any debris (such as hair). Debris left on the brush bar may cause damage to flooring when vacuuming.

LOOKING AFTER YOUR DYSON MACHINE

- Do not carry out any maintenance or repair work other than that shown and described in this Dyson Operating Manual, or advised by the Dyson Helpline.
- Only use parts recommended by Dyson. If you do not this may invalidate your warranty.
- Store the machine indoors. Do not use or store it below 37.4°F (3°C). Ensure the machine is at room temperature before operating.
- Clean the machine only with a dry cloth. Do not use any lubricants, cleaning agents, polishes or air fresheners on any part of the machine.
- If used in a garage, always wipe the base plate and ball with a dry cloth after vacuuming to clean off any sand, dirt, or pebbles that could damage delicate floors.

VACUUMING

- Do not use without the clear bin and filters in place.
- Fine dirt such as plaster dust or flour should only be vacuumed in very small amounts.
- Do not use the machine to pick up sharp hard objects, small toys, pins, paper clips, etc. They may damage the machine.
- When vacuuming, certain carpets may generate small static charges in the clear bin or wand. These are harmless and are not associated with the mains electricity supply. To minimize any effect from this (small static charge), do not put your hand or insert any object into the clear bin unless you have first emptied it and cleaned it with a damp cloth (see 'Cleaning the clear bin').
- Do not work with the machine above you on the stairs. When cleaning stairs it is recommended that the handle is not extended and that you use a tool on the end of the hose rather than the wand.
- Do not put the machine on chairs, tables, etc.
- Before vacuuming highly polished floors, such as wood or linoleum, first check that the underside of the floor tool and its brushes are free from foreign objects that could cause marking.
- Do not leave the cleaner head in one place on delicate floors.
- Do not use this machine outdoors. The Dyson Car Cleaning Kit (Model 08909) is intended for use only inside a garage.

EMPTYING THE CLEAR BIN

- Empty as soon as the dirt reaches the level of the MAX mark – do not overfill.
- Switch 'OFF' and unplug before emptying the clear bin.
- To remove the cyclone and clear bin unit, press down on the red button on the top of the carrying handle on the cyclone.
- To release the dirt, press all the way down on the same red button on the top of the carrying handle on the cyclone.
- To minimize dust/allergen contact when emptying, encase the clear bin tightly in a plastic bag and empty.
- Remove the clear bin carefully from the bag.
- Seal the bag tightly, dispose as normal.
- To refit:
 - ensure the airway in the bin base is clear of dust and dirt
 - close the clear bin base so it clicks into place
 - push the cyclone and clear bin unit into the main body of the machine; it will click into place
 - ensure the cyclone and clear bin unit is secure.

CLEANING THE CLEAR BIN

CAUTION

To remove the cyclone unit from the clear bin press the red bin release button. This exposes a small silver button behind the red opening mechanism. Press the silver button and separate the cyclone unit from the clear bin.

- Ensure the clear bin is completely dry before replacing.

PLEASE NOTE:

- Do not use detergents, polishes or air fresheners to clean the clear bin.
- Do not put the clear bin in a dishwasher.
- Clean the cyclone shroud with a cloth or dry brush to remove lint and dust.

WASHING YOUR FILTERS

- Your machine has two washable filters, located as shown.
- Check and wash the filters regularly according to instructions to maintain performance.
- Switch 'OFF' and unplug before checking or removing the filters.
- The filters may require more frequent washing if vacuuming fine dust.
- Wash with cold water only. Do not use detergents.
- Do not put the filters in a dishwasher, washing machine, tumble dryer, oven, microwave or near a naked flame.

FILTER A

- Remove cyclone and clear bin (see 'Emptying the clear bin').
- Release the catch on the front of the cyclone handle and then remove the filter.
- Wash the filter with cold water only. Hold under a tap and run water through the open end until the water runs clear. Turn upside down and tap out.
- Squeeze and twist with both hands to make sure the excess water is removed.
- Run water over the outside of the filter until the water runs clear.
- Squeeze and twist with both hands to make sure the excess water is removed.
- Stand the filter on its wide, open end to dry. Leave to dry completely for a minimum of 24 hours.
- Replace the filter into the cyclone. Swing the handle back into place. Ensure the latch clicks to engage and is secure. Fit the cyclone and clear bin unit onto the machine (instructions above).

FILTER B

- Lie the machine on its side.
- To remove filter B:
 - turn the blue central locking dial on the outer cover of the ball counter-clockwise until the cover is released
 - lift off the cover
 - turn the filter one-quarter counter-clockwise to release.
- Wash the filter with cold water only.
- Filter B should be rinsed and tapped out until the water runs clear, then tapped out again to ensure all excess water is removed. (Tap on the plastic rim, not the filter material.) Leave to dry completely for a minimum of 24 hours.
- It is normal for the filter in the ball to turn gray in color.
- To refit filter B:
 - refit the filter on to the ball
 - secure the filter by turning it clockwise so the white arrows align.
- When refitting the outer cover of the ball, keep turning the central locking dial clockwise. When it starts to click it is locked. To view a short online video visit: www.dyson.com/up16filterwash

LOOKING FOR BLOCKAGES

- Switch 'OFF' and unplug before looking for blockages. Failure to do so could result in personal injury.
- Leave to cool down for 1-2 hours before checking the filters or for blockages.
- Clear any blockage before restarting.
- Look for blockages in the wand, airways and cleaner head.
- To release the hose from the machine, you will need to remove the wand.
- Open the wand release cap.
- Pull the wand up and away from the handle.
- Press the red release button in the connecting collar and remove the wand from the hose.
- Remove the clear bin and cyclone unit. Then release the hose from the machine by pressing the red tab on the base of the hose – you can see it from the front of the machine.
- Check for blockages in the hose.
- Beware of sharp objects when checking for blockages.
- To refit the hose, align the guides on the base of the hose with the channels in the neck of the airway. Ensure the red tab faces the front of the machine. Push the hose on. It will click into place. To refit the wand follow the instructions above in the 'Operation' section.
- To remove the base plate to access an obstruction, see 'Base plate – disassembly/reassembly'.
- To look for blockages in the front airway between the ball and the cleaner head you will need to remove the cleaner head: see 'Base plate – disassembly/reassembly' below on how to do this.
- To look for blockages in the rear airway between the ball and the cleaner head you will need to release the hose. Hold and slide the red cuff out. Check thoroughly for blockages and slot back into place.
- Beware of sharp objects when checking for blockages.
- To look for blockages in the ball, open the clear plastic inlet on the top.
- Refit all parts securely before using.
- Clearing blockages is not covered by your warranty.

BLOCKAGES – THERMAL CUT-OUT

- This machine is fitted with an automatically resetting thermal cut-out.
- Large items may block the tools or wand inlet. If any part becomes blocked the machine may overheat and automatically cut-out.
- If this happens, follow the instructions below in 'Looking for blockages'.

BRUSH BAR – CLEARING OBSTRUCTIONS

- If your brush bar is obstructed, it may shut 'OFF'. If this happens, you will need to remove the blockage.
- Switch 'OFF' and unplug before proceeding. Failure to do so could result in personal injury.
- Beware of sharp objects when clearing obstructions.
- If you still cannot clear the obstruction, please follow the instructions below to remove the base plate. This gives more access to the obstruction. Alternatively, contact a Dyson expert on the Dyson Helpline or visit the website. Clearing brush bar obstructions is not covered by your warranty.

BASE PLATE – DISASSEMBLY/REASSEMBLY

- Switch 'OFF' and unplug before proceeding. Failure to do so could result in personal injury.
- Lay the machine on its front.
- Detach the red 'C' clip which is on the connection between the cleaner head and the machine. It is quite firm, but do not pull it off roughly. Use a constant, firm pressure.
- Pull the cleaner head away from the machine. Use a constant, firm pressure.
- At each end of the cleaner head there are 2 levers:
 - swing them out at right angles
 - hinge the base plate open.
- Beware of sharp objects when clearing obstructions.
- To refit the base plate, hinge it closed.

- To secure the base plate push both levers back into position so they are flush with the surface of the cleaner head.
- Refit the red 'C' clip onto the cleaner head. The flatter edge of the clip fits against the cleaner head. It is easier to slide one lug into its slot before the other.
- Lay the machine on its back.
- Attach the cleaner head by sliding it on to the connections on the lower front part of the ball. Ensure the electrical plug on the cleaner head fits into the twin - block connection on the body of the machine, which is directly above the airway. Push firmly: the cleaner head will click into place.

BRUSH BAR – TROUBLESHOOTING

- If the brush bar has stopped spinning, follow the instructions above on clearing obstructions. Alternatively, contact a Dyson expert on the Dyson Helpline or visit the website. To view a short online video visit: www.dyson.com/up16brushbarmaintenance

DISPOSAL INFORMATION

- Dyson products are made from high grade recyclable materials. Recycle where possible.

DYSON CUSTOMER CARE

THANK YOU FOR CHOOSING TO BUY A DYSON MACHINE

After registering your 2 year warranty, your Dyson machine will be covered for parts and labor for 2 years from the date of purchase, subject to the terms of the warranty. If you have any questions about your Dyson machine, call the Dyson Helpline with your serial number and details of where/when you bought the machine. Most questions can be solved over the phone by one of our trained Dyson Helpline staff.

Alternatively, visit www.dyson.com/support for online help, general tips and useful information about Dyson.

If your Dyson machine needs service, call the Dyson Helpline so we can discuss the available options. If your Dyson machine is under warranty, and it is a covered repair, it will be repaired at no cost. Your serial number can be found on your rating plate which is behind the clear bin.

PLEASE REGISTER AS A DYSON MACHINE OWNER

To help us ensure you receive prompt and efficient service, please register as a Dyson machine owner. There are two ways to do this:

- Online at www.dyson.com
- By telephoning the Dyson helpline on 1-866-277-4649. This will confirm ownership of your Dyson machine in the event of an insurance loss, and enable us to contact you if necessary. By registering online or by phone you will:
 - Protect your investment with a five year parts and labor warranty
 - Receive helpful tips on using your machine.
 - Be the first to hear about our latest inventions.
 - Registering only takes a few minutes and all you need is your serial number.

2 YEAR LIMITED WARRANTY

TERMS AND CONDITIONS OF THE DYSON 2 YEAR LIMITED WARRANTY

WHAT IS COVERED

Your Dyson machine is warranted against original defects in materials and workmanship for a period of 2 years from the date of purchase, when used for normal domestic purposes in accordance with the Dyson Operating Manual. Please retain your proof of purchase.

If you do not have your proof of purchase, your warranty will start 90 days after the date of manufacture, according to Dyson's records. This warranty provides, at no extra cost to you, all labor and parts necessary to ensure your machine is in proper operating condition during the warranty period. The replacement of any part of your machine under warranty will not extend the period of warranty. Any parts which are returned to Dyson will become the property of Dyson. Please call the Dyson Helpline at 1-866-277-4649 for more information.

This limited warranty is subject to the following terms:

WHAT IS NOT COVERED

Dyson shall not be liable for costs, damages or repairs incurred as a result of, due to, or from:

- Purchases of machines from unauthorized dealers.
- Careless operation or handling, misuse, abuse and/or lack of maintenance or use not in accordance with the Dyson Operating Manual.
- Use of the machine other than for normal domestic purposes within the United States, e.g. for commercial or rental purposes.
- Use of parts not in accordance with the Dyson Operating Manual.
- Use of parts and accessories other than those produced or recommended by Dyson.
- External sources such as weather, electrical outages or power surges.

- Repairs or alterations carried out by unauthorized parties or agents.
- Clearing blockages from your machine.
- Normal wear and tear (e.g. fuse etc.).
- Reduction in battery discharge time due to battery age or use (where applicable).
- Damage as a result of use not in accordance with the rating plate.
- Use of this machine on rubble, ash, plaster, drywall, liquids, or wet surfaces.
- Additionally, this limited warranty does not apply to any machine that has had the serial number altered or removed.
- If there is any doubt as to what is covered by the warranty, please contact Dyson.

WARRANTY LIMITATIONS AND EXCLUSIONS

- Any implied warranties relating to your machine including but not limited to warranty of merchantability or warranty of fitness for a particular purpose, are limited to the duration of this warranty. This limitation is not allowed by some States and so this limitation may not apply to you.
- Your remedy for breach of this warranty is limited to the warranty service described below. Dyson will not be liable for any consequential damages or incidental damages you may incur in connection with your purchase and use of your machine. This limitation is not allowed by some States and so this limitation may not apply to you.
- This limited warranty gives you specific legal rights. You may also have other rights which vary by State.
- This limited warranty is not transferable.

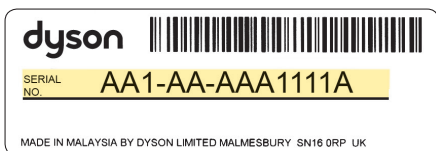
WARRANTY SERVICE

- Please fill out and return the Warranty Form, or register online at www.dyson.com
- Before service can take place, the terms of the warranty require that you contact the Dyson Helpline with your model name/number, serial number, date and place of purchase.
- Please keep your purchase receipt in a safe place to ensure you have this information.
- All work will be coordinated by Dyson or its authorized agents.
- Any replaced defective parts will become the property of Dyson.
- Service under this warranty will not extend the period of this warranty. If your machine is not functioning properly, please call the Dyson Helpline at .1-866-277-4649 Most issues can be rectified over the telephone by our trained Customer Care staff.

IMPORTANT DATA PROTECTION INFORMATION

- If you choose to opt-in to receive communications from us, your details will be held by Dyson or others on behalf of Dyson so that we can assist you more quickly with our Dyson Helpline. From time to time, Dyson may send you special offers and news of our latest innovations.
- For more information about our data collection practices, please refer to the Dyson privacy policy at www.dyson.com/privacy

Note your serial number for future reference.



This illustration is for example purposes only.

USO DE SU MÁQUINA DYSON

ANTES DE CONTINUAR, SÍRVASE LEER LAS "INSTRUCCIONES DE SEGURIDAD IMPORTANTES" DE ESTE MANUAL DE FUNCIONAMIENTO DYSON.

ARMADO

- Recueste la máquina.
- Deslice el cepillo sobre las conexiones que se encuentran en la parte frontal inferior de la esfera giratoria para conectarlo. Asegúrese de que el enchufe eléctrico del cepillo se ajuste a la conexión de bloques gemelos ubicada en la estructura de la máquina, exactamente sobre el conducto de aire. Empuje con fuerza: oír un chasquido cuando el cepillo encaje en su lugar.
- Levante la máquina y colóquela en posición vertical.
- Deslice la manija del tubo sobre la parte superior de la máquina para colocarla en su lugar. Se oír un chasquido cuando el broche de resorte de la manija encaje en su lugar.
- Asegúrese de que la manguera esté derecha. Presione el botón rojo de la manguera. Inserte el tubo en la manguera.
- Asegúrese de que el tubo y la manguera queden fijos en la hendidura de la manija. Inserte el extremo del tubo en la manija para asegurarlo.
- Deslice el portaherramientas hacia el costado del conducto, tal como se muestra en la ilustración.
- Enrolle el cable alrededor de los ganchos para cables. Ajústelo con el broche.
- Para ver un breve vídeo en línea, visite: www.dyson.com/up16gettingstarted

FUNCIONAMIENTO

- Desenrolle el cable.
- Conecte la máquina al suministro de corriente eléctrica
- Para cambiar a encendido o apagado, presione el botón rojo de alimentación que se encuentra donde se muestra en la imagen.
- Para usar la máquina, baje la manija. El soporte estabilizador se levantará automáticamente.
- Después de su uso, vuelva a colocar la máquina en posición vertical y asegúrese de que quede firme. Las ruedas estabilizadoras descenderán automáticamente.
- Luego, desconecte la máquina, enrolle el cable con seguridad y guarde la máquina.
- Apague la máquina, desconéctela y colóquela en posición vertical antes de:
 - cambiar o usar accesorios
 - quitar la manguera o las piezas para inspeccionar el paso del aire.
- Utilice la manija de transporte del extractor de polvo para trasladar la máquina.

ACCESORIOS

- Para liberar el tubo, abra la tapa y tire del tubo rojo hacia arriba para quitarlo de la manija, hasta que oiga un chasquido cuando encaje en su lugar.
- Si desea utilizar la manguera sin el tubo, siga los pasos anteriores y presione el botón rojo para liberar el tubo de la manguera.

ALFOMBRAS O PISOS

- Como opción predeterminada, el cepillo estará siempre activado (girando) cada vez que encienda el aparato y lo baje para limpiarlo.
- El cepillo no girará cuando la máquina esté en posición vertical.
- Para cambiar el cepillo a APAGADO (por ejemplo, para utilizar la máquina en tapetes o pisos delicados):
 - Encienda la máquina.
 - Bájela.
 - Presione el botón ON/OFF (Encendido/Apagado) del cepillo para que el cepillo deje de girar.
- El cepillo deja de funcionar automáticamente si se produce una obstrucción. Consulte 'Cepillo: para eliminar obstrucciones'.
- Antes de aspirar sus pisos, tapetes y alfombras, consulte las instrucciones de limpieza que recomienda el fabricante.
- Es posible que algunas alfombras produzcan pelusa si se utiliza un cepillo giratorio durante la aspiración. Si esto sucede, se recomienda aspirarlas con el cepillo en posición APAGADO y consultar con el fabricante del piso.
- Es posible que el cepillo de la máquina dañe algunos tipos de alfombras. Si tiene dudas, apague el cepillo.
- Revise el cepillo de forma regular y limpie cualquier desecho (como pelos). Los desechos que queden en el cepillo pueden dañar los pisos al aspirar.

CÓMO CUIDAR SU MÁQUINA DYSON

- No realice ningún tipo de mantenimiento o reparaciones que no sean las indicadas y descritas en este Manual de Funcionamiento Dyson o que se le sugiera en la línea de ayuda de Dyson.
- Utilice únicamente las piezas que recomienda Dyson. De no hacerlo podría anular su garantía.
- Almacene la máquina en un espacio cerrado. No lo utilice si la temperatura es menor de 37.4° F (3° C). Compruebe que la máquina está a temperatura ambiente antes de ponerlo en funcionamiento.
- Limpie máquina únicamente con un paño seco. No utilice ningún lubricante, agente de limpieza, pulidor o aromatizador en ninguna parte del máquina.
- Si se utiliza en una cochera, limpie siempre la placa base y la esfera giratoria con un paño seco luego de aspirar para limpiar arena, residuos o grava que puedan dañar pisos delicados.

PARA ASPIRAR

- Este aparato no se debe utilizar si el compartimiento cubo transparente y los filtros no están bien colocados.
- La suciedad fina, como el polvo de harina, deberá aspirarse sólo en pequeñas cantidades.
- No utilice la máquina para recoger objetos duros cortantes, juguetes pequeños, alfileres, sujetapapeles, etc., ya que podrían dañar la máquina.
- Al aspirar, algunas alfombras se pueden generar pequeñas descargas de estática en el cubo transparente o en el tubo. Éstas son totalmente inofensivas y no están asociadas al suministro de corriente eléctrica. Para minimizar los efectos de esta ligera carga estática, no coloque la mano ni introduzca ningún objeto en el cubo transparente, a menos que lo haya vaciado y enjuagado previamente con agua fría (ver "Cómo limpiar el cubo transparente").
- No utilice la máquina por encima de usted en la escalera. Cuando limpie una escalera, se recomienda que la manija no esté extendida y que utilice una herramienta en el extremo de la manguera en lugar del tubo.
- No suba la máquina a sillas, mesas, etc.
- Antes de aspirar pisos con alto grado de pulido, como los de madera o linóleo, verifique primero que el lado inferior del accesorio para pisos y sus cepillos no tienen objetos extraños que puedan producir marcas.
- No deje el cabezal de la aspiradora en un solo lugar si está sobre pisos delicados.

CÓMO VACIAR EL CUBO TRANSPARENTE

- Vacíe el compartimiento cuando la basura llegue al nivel máximo. Evite sobrecargarlo.
- Apague y desconecte el aparato antes de vaciar el cubo transparente.
- Para quitar la unidad del extractor de polvo y el compartimiento cubo transparente, presione el botón rojo que se encuentra en la parte superior de la manija del extractor de polvo.
- Para retirar la suciedad, presione completamente hasta abajo el mismo botón rojo que se encuentra en la parte superior de la manija de transporte del extractor de polvo.
- Para minimizar el contacto con polvo/alérgenos al efectuar el vaciado, introduzca el cubo transparente en una bolsa de plástico y vacíe el contenido.
- Quite cuidadosamente el compartimiento cubo transparente de la bolsa.
- Selle perfectamente la bolsa, elimínela como acostumbra hacerlo.
- Para volver a colocarlo:
 - Asegúrese de que el conducto de aire de la base del cubo no tenga polvo ni suciedad.
 - Cierre la base del compartimiento cubo transparente de modo que oiga un chasquido cuando encaje en su lugar.
 - Empuje la unidad del extractor de polvo y el compartimiento cubo transparente para insertarla en la estructura principal de la máquina, oír un chasquido cuando encaje en su lugar.
 - Asegúrese de que la unidad del extractor de polvo y el compartimiento cubo transparente quede fija.

CÓMO LIMPIAR EL CUBO TRANSPARENTE

PRECAUCIÓN:

- Para quitar la unidad de extractor del cubo transparente presione el botón rojo de liberación del cubo. Esto revela un botón plateado pequeño situado detrás del mecanismo rojo de apertura. Presione el botón plateado y desprenda la unidad de extractor del cubo transparente.
- Asegúrese de que el cubo transparente esté completamente seco antes de volver a colocarlo.

TENGA EN CUENTA LO SIGUIENTE:

- No utilice detergente, líquido para encerar ni desodorante de ambientes para limpiar el compartimiento.
- No limpie el compartimiento en un lavavajillas.
- Limpie la rejilla con un paño seco o un cepillo seco para eliminar la pelusa y el polvo.

LAVADO DEL FILTROS

- Esta máquina tiene dos filtros, ubicados como se muestra en las ilustraciones.
- Revise y lave los filtros con periodicidad, conforme a las instrucciones, para mantener el rendimiento.
- Apague y desconecte la máquina antes de comprobar o quitar los filtros.
- Si se aspira polvo fino, será necesario lavar el filtro con mayor frecuencia.
- Lave únicamente con agua fría. No utilice detergentes.
- No coloque el filtro en el lavavajillas, el lavarrropas, la secadora, el horno, el microondas o cerca del fuego.

FILTRO A

- Quite el extractor de polvo y el compartimiento cubo transparente (Consulte 'Cómo vaciar el cubo transparente').
- Libere el pasador de la parte frontal de la manija del extractor de polvo y luego quite el filtro.
- Utilice únicamente agua fría para lavar el filtro. Enjuáguelo y deje correr agua a través de la apertura hasta que esta salga completamente limpia. Colóquelo boca abajo y retírelo del agua.
- Escúrralo y gírelo con las dos manos para asegurarse de eliminar el exceso de agua.
- Enjuague la parte exterior del filtro con agua hasta que esta salga completamente limpia.
- Escúrralo y gírelo con las dos manos para asegurarse de eliminar el exceso de agua.
- Apoye el filtro sobre su abertura ancha para que se seque. Déjelo secar completamente durante 24 horas como mínimo.
- Vuelva a colocar el filtro en el extractor de polvo. Gire la manija para volver a colocarla en su lugar. Asegúrese de que el pasador haga un chasquido cuando se conecte y de que esté bien ajustado. Ajuste la unidad del extractor de polvo y el compartimiento cubo transparente a la máquina (consulte las instrucciones que se detallan arriba).

FILTRO B

- Recueste la máquina sobre un costado.
- Para extraer el filtro B:
 - Gire el disco central de bloqueo azul en la tapa exterior de la esfera giratoria en el sentido opuesto a las manecillas del reloj hasta que se libere la tapa.
 - Retire la tapa.
 - Gire el filtro un cuarto en el sentido opuesto a las manecillas del reloj para liberarlo.
- Utilice únicamente agua fría para lavar el filtro.
- Lave el filtro B y golpéelo suavemente hasta que fluya agua limpia, después vuelva a golpearlo levemente para comprobar que se haya eliminado todo exceso de agua. (Golpee levemente el aro de plástico, no el material del filtro). Déjelo secar completamente durante 24 horas como mínimo.
- Es normal que el filtro de la esfera giratoria adquiera un tono grisáceo.
- Para volver a colocar el filtro B:
 - Vuelva a colocar el filtro en la esfera giratoria.
 - Para ajustar el filtro, gírelo en el sentido de las agujas del reloj, de modo que se alineen las flechas blancas.
- Cuando vuelva a colocar la tapa exterior de la esfera giratoria, siga girando el disco central de bloqueo en el sentido de las agujas del reloj. Cuando comience a oír un chasquido significa que está bloqueado.
Para ver un breve vídeo en línea, visite:
www.dyson.com/up16filterwash

CÓMO BUSCAR OBSTRUCCIONES

- Apague y desconecte antes de buscar obstrucciones. Si no lo hace, podría sufrir lesiones.
- Deje enfriarla durante 1 o 2 horas antes de comprobar los filtros o verificar que no haya obstrucciones.
- Elimine cualquier obstrucción antes de reiniciar el funcionamiento.
- Compruebe que no haya obstrucciones en el tubo, en los conductos de aire y en el cepillo.
- Para liberar la manguera de la máquina, deberá quitar el tubo.
- Abra la tapa de liberación del tubo.
- Tire del tubo hacia arriba y quítelo de la manija.
- Presione el botón rojo de liberación del collar de conexión y retire el tubo de la manguera.
- Quite la unidad del extractor de polvo y el compartimiento cubo transparente. Luego desconecte la manguera de la máquina. Para hacerlo, presione la lengüeta roja de la manguera (se puede ver en la parte frontal de la máquina).
- Revise la manguera para detectar que no haya obstrucciones.
- Tenga cuidado con los objetos filosos cuando inspeccione las obstrucciones.
- Para volver a colocar la manguera, alinee las guías de la base de la manguera con los canales del cuello del conducto de aire. Asegúrese de que la lengüeta roja esté orientada hacia la parte frontal de la máquina. Empuje la manguera hacia adentro. Se oír un chasquido cuando encaje en su lugar. Para volver a colocar el tubo, siga las instrucciones detalladas anteriormente en la 'Funcionamiento' sección.
- A quitar la placa base, consulte 'Armado y desarmado de la placa base'.

- Para revisar el conducto de aire frontal que se encuentra entre la esfera giratoria y el cepillo a fin de detectar que no haya obstrucciones, deberá quitar el cepillo: para saber cómo hacerlo, consulte la sección 'Armado y desarmado de la placa base' a continuación.
- Para revisar el conducto de aire trasero que se encuentra entre la esfera giratoria y el cepillo a fin de detectar que no haya obstrucciones, deberá liberar la manguera. Sostenga y deslice hacia afuera el maguito rojo. Compruebe detalladamente que no haya obstrucciones y vuelva a colocar la pieza en su lugar.
- Tenga cuidado con los objetos filosos cuando inspeccione las obstrucciones.
- Para detectar que no haya obstrucciones en la esfera giratoria, abra la entrada de plástico transparente que se encuentra en la parte superior.
- Reinstale todas las partes correctamente antes de utilizarlo.
- Su garantía limitada no cubre la eliminación de obstrucciones.

PARA ELIMINAR BLOQUEOS: SISTEMA DE DESCONEJÓN TÉRMICA

- Esta máquina posee un sistema de desconexión térmica.
- Es posible que los objetos de mayor tamaño bloqueen las herramientas o la entrada del tubo. Si alguna parte se bloquea, es probable que la máquina se sobrecaliente y se desconecte automáticamente.
- Si esto sucede, siga las instrucciones que se detallan a continuación en 'Cómo buscar obstrucciones'.

CEPILLO: PARA ELIMINAR OBSTRUCCIONES

- Si el cepillo tiene alguna obstrucción, es posible que se apague. Si esto sucede, deberá eliminar la obstrucción.
- Apague y desconecte antes de proceder. Si no lo hace, podría sufrir lesiones.
- Cuando elimine las obstrucciones, tenga cuidado con los objetos cortantes.
- Si no puede eliminarla, siga los siguientes pasos para saber cómo quitar la placa base. De este modo obtendrá acceso a la obstrucción. O bien, comuníquese con un técnico especializado de Dyson a través de la Línea Directa de Asistencia al Cliente de Dyson o visite el sitio web. La eliminación de obstrucciones en el cepillo no está cubierta en la garantía.

ARMADO Y DESARMADO DE LA PLACA BASE

- Apague y desconecte antes de proceder. Si no lo hace, podría sufrir lesiones.
- Recueste la máquina sobre su parte frontal.
- Separe el broche rojo C que se encuentra en la conexión entre el cepillo y la máquina. Está bastante firme pero no tire bruscamente. Ejercer una presión firme y constante.
- Tire del cepillo para quitarlo de la máquina. Ejercer una presión firme y constante.
- En cada extremo del cepillo hay 2 palancas:
 - colóquelas en ángulo recto
 - abra la placa base desde un lateral.
- Cuando elimine las obstrucciones, tenga cuidado con los objetos cortantes.
- Cierre la placa base.
- Para fijar la placa base, empuje nuevamente las dos palancas hasta su posición de manera que queden alineadas con la superficie del cepillo.
- Vuelva a colocar el broche rojo C sobre el cepillo. El borde más plano del broche se ajusta contra el cepillo. Es más fácil deslizar las lengüetas hacia el interior de la ranura de a una por vez.
- Recueste la máquina.
- Deslice el cepillo sobre las conexiones que se encuentran en la parte frontal inferior de la esfera giratoria para conectarlo. Asegúrese de que el enchufe eléctrico del cepillo se ajuste a la conexión de bloques gemelos ubicada en la estructura de la máquina, exactamente sobre el conducto de aire. Empuje con fuerza: oír un chasquido cuando el cepillo encaje en su lugar.

REPARACIÓN DE AVERÍAS DE LA BARRA DE CEPILLO

- Si el cepillo ha dejado de girar, siga las instrucciones anteriores para eliminar obstrucciones. Alternativamente, comuníquese con un experto de Dyson a la línea de ayuda de Dyson o visite el sitio web. Para ver un breve vídeo en línea, visite:
www.dyson.com/up16brushbarmaintenance

SERVICIO DE ATENCIÓN AL CLIENTE DYSON

GRACIAS POR ELEGIR COMPRAR UNA MÁQUINA DYSON

Después de registrar la garantía de 2 años, su equipo Dyson tendrá la cobertura de los repuestos y la mano de obra por 2 años desde la fecha de compra, según los términos de la garantía. Si tiene alguna duda acerca de su producto Dyson, llame a la Línea directa de asistencia al cliente de Dyson con el número de serie e información de cuándo y dónde compró el equipo. La mayoría de las dudas pueden resolverse por teléfono con la ayuda de un miembro de nuestro personal capacitado de la Línea directa de asistencia al cliente.

Como alternativa, visite www.dyson.com/support para obtener ayuda, consejos generales e información útil en línea sobre Dyson. Si su máquina Dyson necesita reparación llame a la Línea de ayuda de Dyson para poder analizar las opciones disponibles.

Si su máquina tiene garantía y la reparación necesaria está incluida dentro de esa garantía, se reparará sin costo alguno.

Su número de serie se encuentra en la placa de especificaciones ubicada detrás del cubo transparente.

POR FAVOR REGÍSTRESE COMO PROPIETARIO DE UNA MÁQUINA DYSON

Para ayudarnos a asegurarle que reciba un servicio rápido y eficaz, por favor regístrese como propietario de una máquina Dyson. Hay dos maneras de hacerlo:

- En línea en www.dyson.com
- Llamando por teléfono a la Línea de ayuda de Dyson, 1-866-277-4649.

Esto confirmará que la máquina Dyson es de su propiedad en caso de que ocurra una pérdida cubierta por el seguro, y nos permitirá contactarle si fuese necesario.

Si registra el producto en línea o por teléfono, obtendrá los siguientes beneficios:

- Protegerá su inversión con una garantía de cinco años para las piezas y la mano de obra.
- Recibirá consejos útiles sobre el uso de la máquina.
- Obtendrá asesoramiento especializado a través de la Línea Directa de Asistencia al Cliente de Dyson.
- Tendrá la primicia sobre nuestros últimos inventos.
- El proceso de registro le ocupará solo unos minutos y lo único que necesita es el número de serie.

2 AÑOS DE GARANTÍA LIMITADA

TÉRMINOS Y CONDICIONES DE LA GARANTÍA LIMITADA DE 2 AÑOS DE DYSON

QUÉ ESTÁ CUBIERTO

Su máquina Dyson está garantizada contra defectos originales de material o mano de obra por un período de 2 años a partir de la fecha de compra, cuando se utilice para fines domésticos normales y de acuerdo con el Manual de funcionamiento de Dyson. Conserve su factura de compra. Si no tiene la factura de compra, la validez de la garantía empezará a contar desde los 90 días posteriores a la fecha de fabricación, según los registros de Dyson. Esta garantía proporciona, sin costo para usted, toda la mano de obra y piezas para poner su máquina en perfectas condiciones de funcionamiento durante el plazo de garantía. El reemplazo de cualquier pieza de la máquina con garantía no extiende el período de la garantía. Todas las piezas que se devuelvan a Dyson serán propiedad de Dyson. Comuníquese con la Línea Directa de Asistencia al Cliente de Dyson al 1-866-277-4649 para obtener más información. Esta garantía está sujeta a los siguientes términos:

QUÉ NO ESTÁ CUBIERTO

Dyson no será responsable de los costos, daños o reparaciones originados como resultado de o debido a lo siguiente:

- Compras de máquinas de un proveedor no autorizado.
- El funcionamiento o manejo descuidado, uso indebido y/o falta de mantenimiento o el uso de forma contraria al Manual de Instrucciones de Dyson.
- El uso de la máquina contrario a los usos domésticos normales dentro de los Estados Unidos de América, por ejemplo, para el uso comercial o alquiler.
- El uso de piezas que no estén contempladas en el Manual de Instrucciones de Dyson.
- El uso de piezas y accesorios que no sean los producidos o recomendados por Dyson.
- Fuentes externas como el clima, las interrupciones eléctricas o las sobrecargas de energía.
- Reparaciones o alteraciones llevadas a cabo por partes o agentes no autorizados.
- Eliminación de obstrucciones en el aparato.
- Desgaste y deterioro normal (p. ej. el fusible, etc.).
- La reducción del tiempo de descarga de la batería es debida a la antigüedad de la batería o uso.
- Daño como resultado de un uso que contravenga las indicaciones de la placa de especificaciones.

- Uso de esta máquina sobre goma, ceniza, masilla, paredes de yeso o superficies húmedas.
- Además, esta garantía limitada no se aplica a ningún aparato cuyo número de serie se haya alterado o quitado.
- Si hay alguna duda sobre la cobertura de la garantía, comuníquese con Dyson.

LIMITACIONES Y EXCLUSIONES DE LA GARANTÍA

- Cualquier garantía implícita relacionada con su máquina, incluyendo pero sin limitarse a una garantía de comerciabilidad o garantía de idoneidad para un propósito en particular, se limita a la duración de esta garantía. Esta limitación no está permitida por algunos estados, por lo que esta limitación puede no aplicarse a usted.
- El recurso por el incumplimiento de esta garantía se limita al servicio de garantía que se describe a continuación. Dyson no es responsable por ningún daño indirecto o daño inherente en el que pueda incurrir en conexión con la adquisición y uso de su aparato. Esta limitación no está permitida por algunos Estados y, por lo tanto, podría no aplicarse en su caso.
- Esta garantía le otorga derechos legales específicos. Usted podría también tener otros derechos los cuales varían de acuerdo al estado.
- Esta garantía limitada no es transferible.

SERVICIO DE GARANTÍA

- Por favor complete y devuelva el Formulario de registro del producto, o regístrese en línea en www.dyson.com
- Antes de llevar a cabo el servicio, los términos de la garantía limitada requieren que usted se comunique a la línea de ayuda de Dyson con el nombre o número de su modelo, el número de serie, así como el lugar y la fecha de compra.
- Por favor mantenga la factura de compra en un sitio seguro para asegurarse de tener esta información.
- Todo trabajo será coordinado por Dyson o sus agentes autorizados.
- Cualquier pieza defectuosa que se reponga es propiedad de Dyson.
- El servicio que ampara esta garantía no amplía el período de la misma.
- Si su máquina no funciona correctamente, comuníquese a la línea de ayuda de Dyson al 1-866-277-4649. Nuestro personal de Atención al cliente podrá rectificar telefónicamente la mayoría de los problemas.

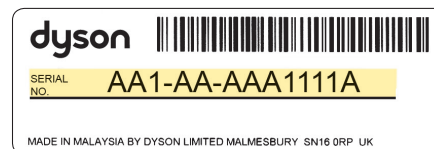
INFORMACIÓN IMPORTANTE PARA LA PROTECCIÓN DE DATOS

- Si opta por recibir nuestras comunicaciones, sus datos personales serán conservados por Dyson, o terceros en representación de Dyson, de manera que nuestra línea directa de Asistencia al Cliente Dyson pueda ayudarlo con mayor rapidez. En ocasiones, es posible que Dyson le envíe ofertas especiales y noticias sobre nuestras más recientes innovaciones.
- Para obtener más información acerca de nuestras prácticas de recopilación de datos, consulte la política de privacidad de Dyson en www.dyson.com/privacy

INFORMACIÓN DE ELIMINACIÓN DE RESIDUOS

- Los productos Dyson están hechos a partir de materiales reciclables de alta calidad. Reciclelo siempre que sea posible.
- Deseche o recicle las baterías de conformidad con las ordenanzas o regulaciones locales.

Anote su número de serie para futuras consultas.

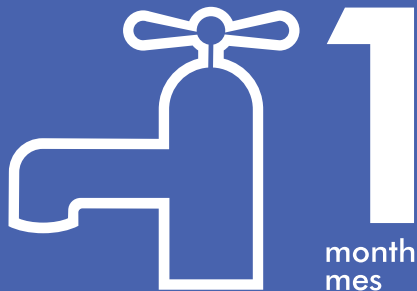


Esta figura es únicamente para mostrar un ejemplo.

IMPORTANT!

WASH FILTER

Wash filters with cold water at least every month. The filters may require more frequent washing if vacuuming fine dust.



¡IMPORTANTE!

LAVE EL FILTRO

Lave los filtros con agua fría al menos cada mes. Si se va aspirar polvo fino será necesario lavar el filtros con mayor frecuencia.



Dyson Customer Care

If you have a question about your Dyson appliance, call the Dyson Customer Care Helpline with your serial number and details of where and when you bought the appliance, or contact us via the Dyson website.

Servicio de atención al cliente Dyson

Si tiene alguna duda acerca de su aparato Dyson, llame a la línea de ayuda de Dysonal con el número de serie e información de cuándo y dónde compró el producto.

DYSON CONTACT DETAILS

Website:

www.dyson.com

Dyson Helpline:

1-866-277-4649

Mon-Fri 8am to 8pm CST; Sat 9am to 6pm CST

Servicio de atención al cliente Dyson:

1-866-277-4649lunes a viernes de 8 a.m. – 8 p.m.,

hora Centro; sábados de 9 a.m. – 6 p.m.,

hora Centro



WARRANTY FORM • FORMULARIO DE GARANTÍA

Date of purchase | Fecha de compra / /

Serial number | Número de série

Title | Tratamiento

Last name | Apellido

First name | Apellido

Address | Dirección

Zip Code | Código postal

email | email

Telephone | Teléfono

From time to time, we'd like to send you emails about new Dyson technology and services or get your opinion about your purchase. If you'd like us to keep in touch, please check this box.

Ocasionalmente, nos gustaría enviarle correos electrónicos con información sobre los nuevos servicios y tecnologías de Dyson o para saber su opinión sobre su compra. Si desea que nos mantengamos en contacto, seleccione esta casilla.

3 EASY WAYS TO REGISTER YOUR 2 YEAR LIMITED WARRANTY. 3 MANERAS FÁCILES DE REGISTRAR SU GARANTÍA LIMITADA DE 2 AÑOS.

ONLINE
Convenient and instant.
www.dyson.com/register



EN LÍNEA
Conveniente y al instante.
www.dyson.com/register

PHONE
Dyson Helpline:
1-866-277-4649
(Mon-Fri 8am to 8pm CST;
Sat 9am to 6pm CST).



POR TELÉFONO
Servicio de atención al cliente Dyson:
1-866-277-4649 lunes a viernes de
8 a.m. – 8 p.m., hora Centro;
sábados de 9 a.m. – 6 p.m.,
hora Centro

MAIL
Complete and return the
form in the envelope supplied.



POR CORREO
Complete este formulario y envíelo.

