

## Axor Starck

### Axor ShowerCollection Thermostatic 3-Function Trim Module, 15"x5"

Finishes : **Brushed Nickel** Part no. : **10751821**



#### Description

##### Features

- Outlets may be operated simultaneously
- Thermostatic cartridge
- Anti-scald 100° safety stop
- Flow: 16 GPM

##### Required accessories

- Rough, Axor ShowerCollection Thermostatic 3-Function Module, 15"x5" (#10750USA)

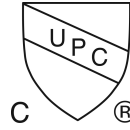
##### Optional accessories

- Extension Kit, Axor ShowerCollection Thermostat (#10790XXX)
- 1" Extension Kit, Ceramic Cartridges (#96370XXX)

#### Item details

List Price \$ 2,010.00

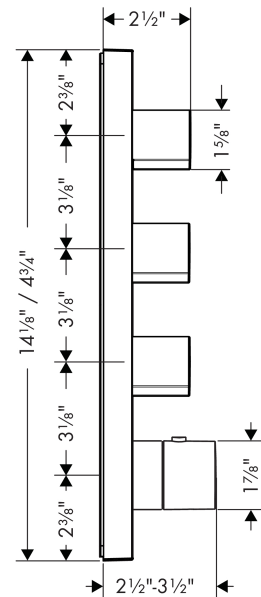
#### Compliance



#### Product image



#### Scale drawing



**Axor Starck**

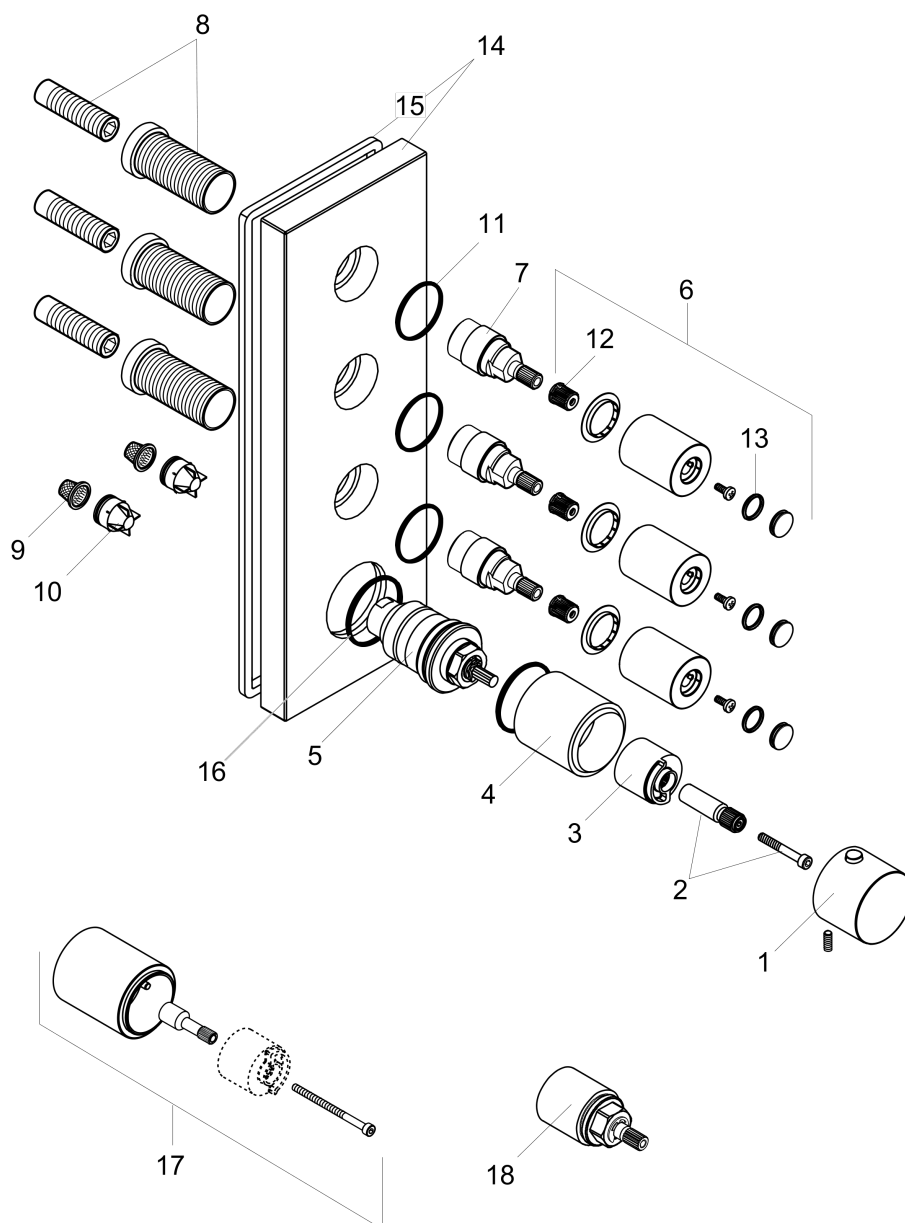
**Axor ShowerCollection Thermostatic 3-Function Trim Module, 15"x5"**

Finishes : **Brushed Nickel** Part no. : **10751821**



## Exploded drawing

Year of production: >04/09



**Axor Starck**
**Axor ShowerCollection Thermostatic 3-Function Trim Module, 15"x5"**

 Finishes : **Brushed Nickel**    Part no. : **10751821**

**Spare parts list**

Year of production: &gt;04/09

Pos.	Description	Part no.	Price	PU
1	handle for thermostat	95316821	-	1
2	adapter for handle	98701000	-	1
3	safety set for temperature control	97334000	-	1
4	sleeve	95331820	-	1
5	thermostat cartridge	96633000	-	1
6	handle	96298821	-	1
7	adapter for handle	95153820	-	1
8	fixing set	96393000	-	1
9	filter	97973000	-	1
10	set of non return valves DW 15	97350000	-	1
11	O-ring 26x2	98147000	-	1
12	handle fixing set	98932000	-	1
13	O-ring 13x2	98128000	-	1
14	escutcheon	95317820	-	1
15	seal	95885000	-	1
16	O-ring 48x4	98414000	-	1
17	extension 25 mm	10790000	-	1
18	extension 25 mm	96370000	-	1
a	base body	10750181	-	1