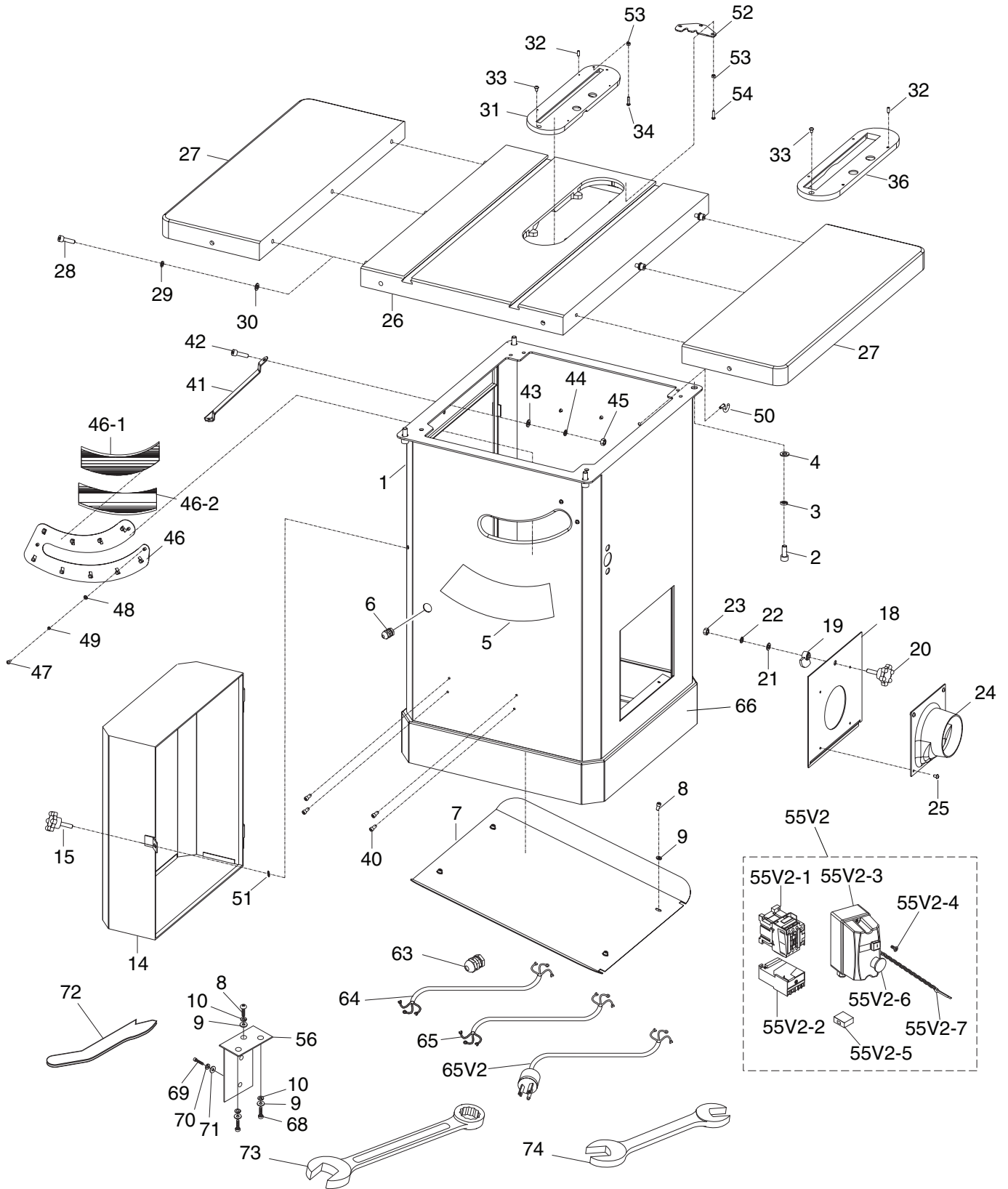


# SECTION 10: PARTS

## Body



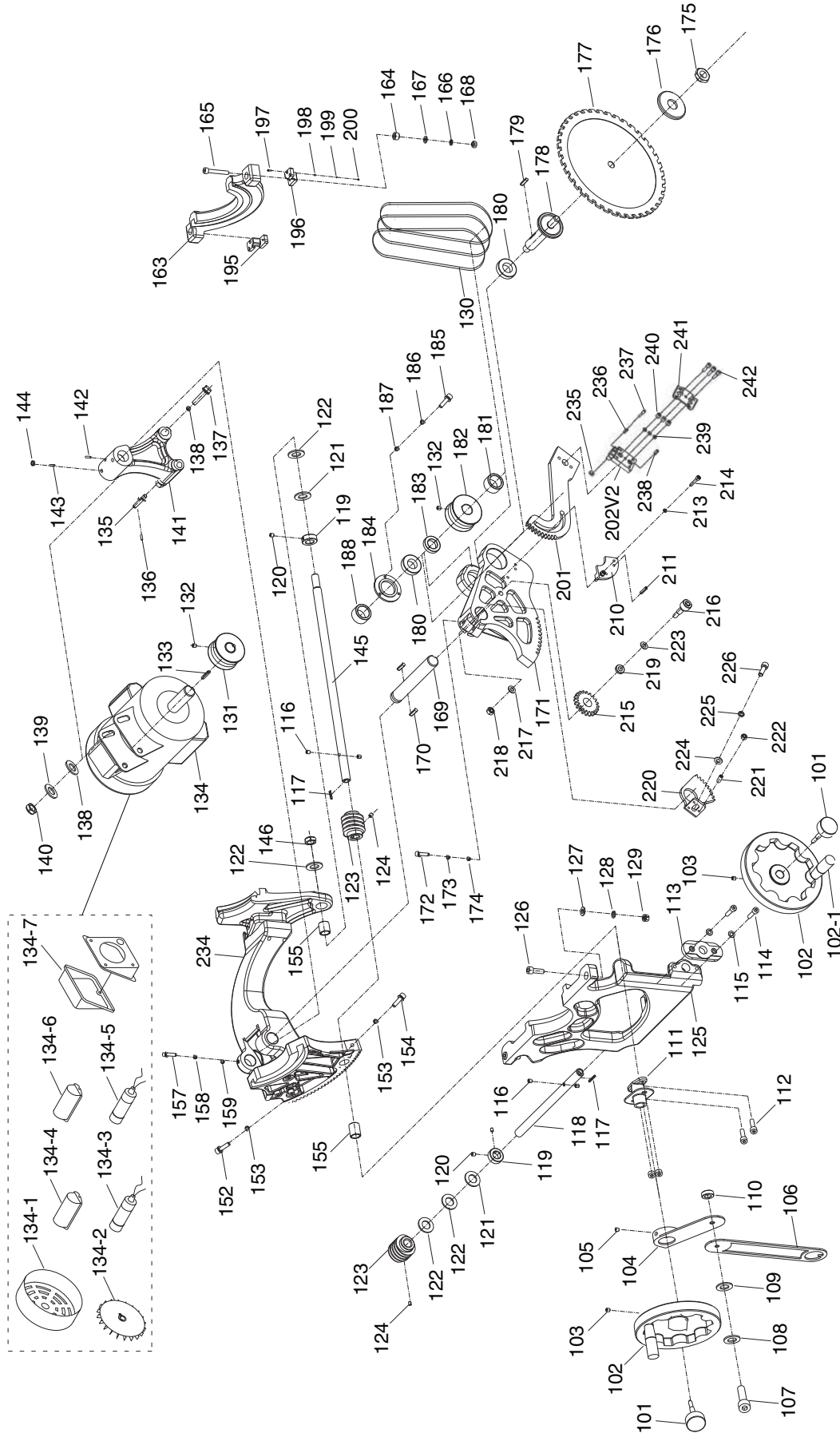
# Body Parts List

| REF | PART #   | DESCRIPTION             |
|-----|----------|-------------------------|
| 1   | P0690001 | CABINET                 |
| 2   | P0690002 | CAP SCREW M10-1.25 X 25 |
| 3   | P0690003 | LOCK WASHER 10MM        |
| 4   | P0690004 | FLAT WASHER 10MM        |
| 5   | P0690005 | ANGLE SCALE             |
| 6   | P0690006 | STRAIN RELIEF           |
| 7   | P0690007 | CABINET PLATE           |
| 8   | P0690008 | PHLP HD SCR M6-1 X 12   |
| 9   | P0690009 | FLAT WASHER 6MM         |
| 10  | P0690010 | LOCK WASHER 6MM         |
| 14  | P0690014 | MOTOR COVER             |
| 15  | P0690015 | KNOB M6-1               |
| 18  | P0690018 | CLEANOUT DOOR           |
| 19  | P0690019 | DOOR LATCH              |
| 20  | P0690020 | KNOB M8-1.25            |
| 21  | P0690021 | FLAT WASHER 8MM         |
| 22  | P0690022 | LOCK WASHER 8MM         |
| 23  | P0690023 | HEX NUT M8-1.25         |
| 24  | P0690024 | DUST HOOD               |
| 25  | P0690025 | PHLP HD SCR M5-.8 X 8   |
| 26  | P0690026 | TABLE                   |
| 27  | P0690027 | EXTENSION WING          |
| 28  | P0690028 | CAP SCREW M8-1.25 X 30  |
| 29  | P0690029 | LOCK WASHER 8MM         |
| 30  | P0690030 | FLAT WASHER 8MM         |
| 31  | P0690031 | STD TABLE INSERT        |
| 32  | P0690032 | SET SCREW M5-.8 X 12    |
| 33  | P0690033 | PHLP HD SCR M5-.8 X 12  |
| 34  | P0690034 | PHLP HD SCR M5-.8 X 20  |
| 36  | P0690036 | DADO TABLE INSERT       |
| 40  | P0690040 | NAME PLATE RIVET        |
| 41  | P0690041 | SHIPPING BRACE          |
| 42  | P0690042 | HEX BOLT M10-1.5 X 20   |
| 43  | P0690043 | FLAT WASHER 10MM        |

| REF    | PART #       | DESCRIPTION                                    |
|--------|--------------|--|
| 44     | P0690044     | LOCK WASHER 10MM                               |
| 45     | P0690045     | HEX NUT M10-1.5                                |
| 46     | P0690046     | DUST CLIP                                      |
| 46-1   | P0690046-1   | UPPER BRUSH                                    |
| 46-2   | P0690046-2   | LOWER BRUSH                                    |
| 47     | P0690047     | PHLP HD SCR M4-.7 X 12                         |
| 48     | P0690048     | FLAT WASHER 4MM                                |
| 49     | P0690049     | LOCK WASHER 4MM                                |
| 50     | P0690050     | HOOK   |
| 51     | P0690051     | INT TOOTH WASHER 6MM                           |
| 52     | P0690052     | LIMIT PLATE                                    |
| 53     | P0690053     | HEX NUT M5-.8                                  |
| 54     | P0690054     | PHLP HD SCR M5-.8 X 20                         |
| 55V2   | P0690055V2   | MAG SWITCH ASSY SIEMENS V2.06.17               |
| 55V2-1 | P0690055V2-1 | CONTACTOR SIEMENS 3TS32 10-0X 220V V2.06.17    |
| 55V2-2 | P0690055V2-2 | OL RELAY SIEMENS 3US50 40-2L 12.5-18A V2.06.17 |
| 55V2-3 | P0690055V2-3 | SWITCH BOX FRONT/BACK V2.06.17                 |
| 55V2-4 | P0690055V2-4 | MAG SWITCH COVER SCREW V2.06.17                |
| 55V2-5 | P0690055V2-5 | ON/OFF SWITCH CHINT NP2 V2.06.17               |
| 55V2-6 | P0690055V2-6 | E-STOP BUTTON ANIUEC LA158-BE102 V2.06.17      |
| 55V2-7 | P0690055V2-7 | SWITCH DISABLING PIN 3/16 X 3-1/2 V2.06.17     |
| 56     | P0690056     | SWITCH BRACKET                                 |
| 63     | P0690063     | STRAIN RELIEF                                  |
| 64     | P0690064     | MOTOR CORD 14AWG X 3C                          |
| 65V2   | P0690065V2   | POWER CORD W/PLUG V2.12.09                     |
| 66     | P0690066     | GREEN TRIM TAPE                                |
| 68     | P0690068     | HEX BOLT M6-1 X 12                             |
| 69     | P0690069     | BUTTON HD CAP SCR M5-.8 X 16                   |
| 70     | P0690070     | LOCK WASHER 5MM                                |
| 71     | P0690071     | FLAT WASHER 5MM                                |
| 72     | P0690072     | PUSH STICK                                     |
| 73     | P0690073     | ARBOR WRENCH 27MM COMBO                        |
| 74     | P0690074     | ARBOR WRENCH 22 X 24MM OPEN-ENDS               |



# Trunnion



# Trunnion Parts List

| REF   | PART #     | DESCRIPTION                   |
|-------|------------|-------------------------------|
| 101   | P0690101   | HANDWHEEL LOCK                |
| 102   | P0690102   | HANDWHEEL                     |
| 102-1 | P0690102-1 | HANDWHEEL HANDLE              |
| 103   | P0690103   | SET SCREW M5-.8 X 12          |
| 104   | P0690104   | ANGLE POINTER-1               |
| 105   | P0690105   | SET SCREW M5-.8 X 6           |
| 106   | P0690106   | ANGLE POINTER-2               |
| 107   | P0690107   | CAP SCREW M6-1 X 12           |
| 108   | P0690108   | LOCK WASHER 6MM               |
| 109   | P0690109   | FLAT WASHER 6MM               |
| 110   | P0690110   | HEX NUT M6-1                  |
| 111   | P0690111   | ANGLE POINTER BRACKET         |
| 112   | P0690112   | CAP SCREW M5-.8 X 25          |
| 113   | P0690113   | PLATE                         |
| 114   | P0690114   | CAP SCREW M8-1.25 X 25        |
| 115   | P0690115   | LOCK WASHER 8MM               |
| 116   | P0690116   | PIN-LOCK-SHAFT                |
| 117   | P0690117   | KEY 5 X 5 X 36                |
| 118   | P0690118   | ANGLE SHAFT                   |
| 119   | P0690119   | LOCK COLLAR                   |
| 120   | P0690120   | SET SCREW M6-1 X 8            |
| 121   | P0690121   | LOCK WASHER 18MM              |
| 122   | P0690122   | COPPER WASHER 18MM            |
| 123   | P0690123   | WORM                          |
| 124   | P0690124   | SET SCREW M6-1 X 10           |
| 125   | P0690125   | FRONT TRUNNION                |
| 126   | P0690126   | CAP SCREW M10-1.5 X 30        |
| 127   | P0690127   | FLAT WASHER 10MM              |
| 128   | P0690128   | LOCK WASHER 10MM              |
| 129   | P0690129   | HEX NUT M10-1.5               |
| 130   | P0690130   | BELT SPZ 625                  |
| 131   | P0690131   | MOTOR PULLEY                  |
| 132   | P0690132   | SET SCREW M5-.8 X 12          |
| 133   | P0690133   | KEY 5 X 5 X 30                |
| 134   | P0690134   | MOTOR 3HP 220V 1-PH           |
| 134-1 | P0690134-1 | FAN COVER                     |
| 134-2 | P0690134-2 | MOTOR FAN                     |
| 134-3 | P0690134-3 | R CAP 25M 370V 1-3/4 X 3      |
| 134-4 | P0690134-4 | R CAPACITOR COVER             |
| 134-5 | P0690134-5 | S CAP 200M 250V 1-1/4 X 2-3/4 |
| 134-6 | P0690134-6 | S CAPACITOR COVER             |
| 134-7 | P0690134-7 | WIRING JUNCTION BOX           |
| 135   | P0690135   | ORIENTATION PIN               |
| 136   | P0690136   | COTTER PIN 3.5 X 35MM         |
| 137   | P0690137   | HEX BOLT M12-1.75 X 100       |
| 138   | P0690138   | FLAT WASHER 12MM              |

| REF | PART #   | DESCRIPTION            |
|-----|----------|------------------------|
| 139 | P0690139 | LOCK WASHER 12MM       |
| 140 | P0690140 | HEX NUT M12-1.75       |
| 141 | P0690141 | MOTOR FRAME SUPPORT    |
| 142 | P0690142 | SET SCREW M8-1.25 X 12 |
| 143 | P0690143 | SET SCREW M8-1.25 X 30 |
| 144 | P0690144 | HEX NUT M8-1.25        |
| 145 | P0690145 | HIGH SHAFT             |
| 146 | P0690146 | LOCK NUT M18-1.5       |
| 152 | P0690152 | HEX BOLT M8-1.25 X 20  |
| 153 | P0690153 | HEX NUT M8-1.25        |
| 154 | P0690154 | HEX BOLT M8-1.25 X 35  |
| 155 | P0690155 | FLANGE CASTING SLEEVE  |
| 157 | P0690157 | SET SCREW M8-1.25 X 8  |
| 158 | P0690158 | COMPRESSION SPRING     |
| 159 | P0690159 | BALL                   |
| 163 | P0690163 | REAR TRUNNION          |
| 164 | P0690164 | ADJUST BOLT            |
| 165 | P0690165 | CAP SCREW M8-1.25 X 30 |
| 166 | P0690166 | FLAT WASHER 8MM        |
| 167 | P0690167 | LOCK WASHER 8MM        |
| 168 | P0690168 | HEX NUT M8-1.25        |
| 169 | P0690169 | HIGH SHAFT             |
| 170 | P0690170 | KEY 6 X 6 X 50         |
| 171 | P0690171 | GEARED BEARING HOUSING |
| 172 | P0690172 | HEX BOLT M10-1.5 X 45  |
| 173 | P0690173 | LOCK WASHER 10MM       |
| 174 | P0690174 | FLAT WASHER 10MM       |
| 175 | P0690175 | ARBOR NUT              |
| 176 | P0690176 | ARBOR FLANGE           |
| 177 | P0690177 | BLADE 10" 40T          |
| 178 | P0690178 | BLADE ARBOR            |
| 179 | P0690179 | KEY 5 X 5 X 30         |
| 180 | P0690180 | BALL BEARING 6005ZZ    |
| 181 | P0690181 | COLLAR BLADE ARBOR     |
| 182 | P0690182 | ARBOR PULLEY           |
| 183 | P0690183 | COLLAR BLADE ARBOR     |
| 184 | P0690184 | FLANGE RING            |
| 185 | P0690185 | PHLP HD SCR M5-.8 X 12 |
| 186 | P0690186 | LOCK WASHER 5MM        |
| 187 | P0690187 | FLAT WASHER 5MM        |
| 188 | P0690188 | LOCK NUT M16-1.5       |
| 195 | P0690195 | LEFT BRACKET           |
| 196 | P0690196 | RIGHT BRACKET          |
| 197 | P0690197 | CAP SCREW M8-1.25 X 30 |
| 198 | P0690198 | FLAT WASHER 8MM        |
| 199 | P0690199 | LOCK WASHER 8MM        |



# Trunnion Parts List

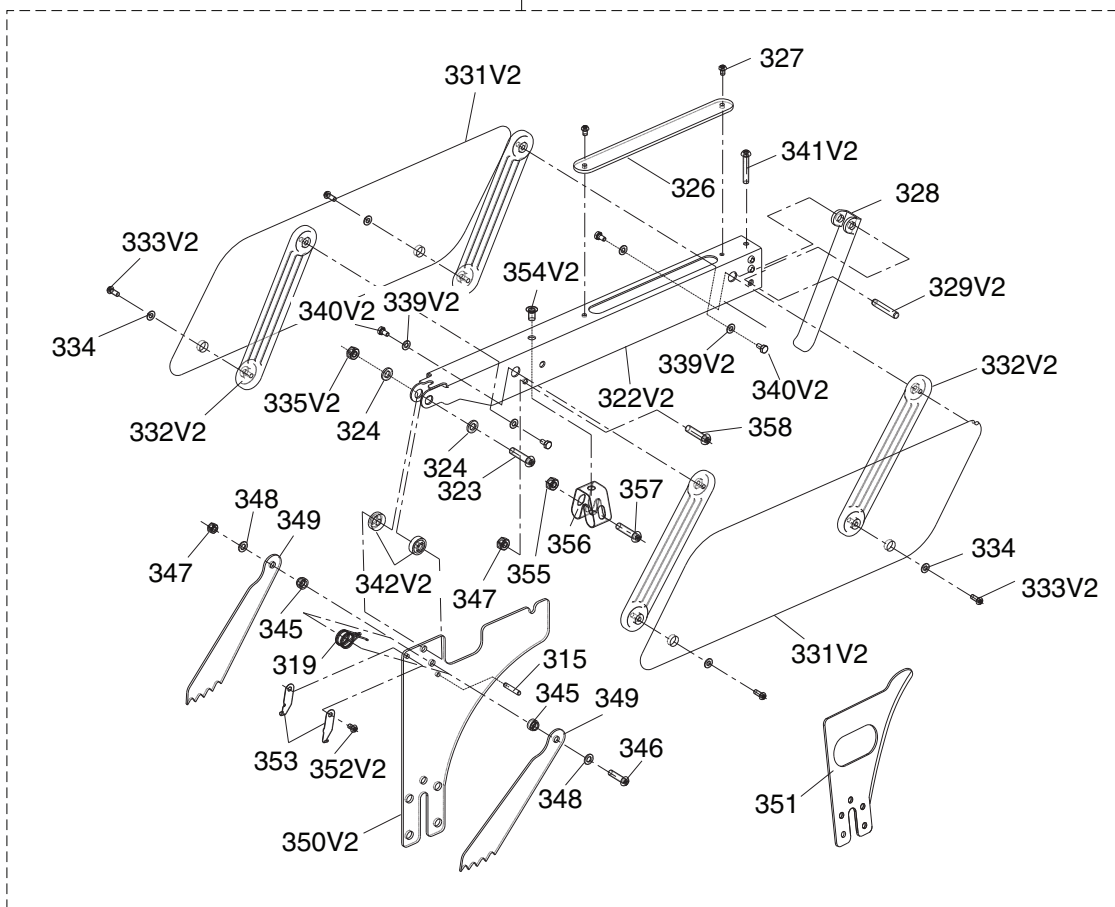
| REF   | PART #     | DESCRIPTION                    |
|-------|------------|--------------------------------|
| 200   | P0690200   | HEX NUT M8-1.25                |
| 201   | P0690201   | BULL GEAR                      |
| 202V2 | P0690202V2 | SPLITTER ADJUST BLOCK V2.10.15 |
| 210   | P0690210   | ORIENTATION BAR                |
| 211   | P0690211   | ROLL PIN 5 X 25                |
| 213   | P0690213   | LOCK WASHER 5MM                |
| 214   | P0690214   | CAP SCREW M5-.8 X 25           |
| 215   | P0690215   | GEAR                           |
| 216   | P0690216   | CAP SCREW M10-1.5 X 40         |
| 217   | P0690217   | FLAT WASHER 10MM               |
| 218   | P0690218   | LOCK NUT M10-1.5               |
| 219   | P0690219   | GEAR SLEEVE                    |
| 220   | P0690220   | PLATE GEAR                     |
| 221   | P0690221   | SET SCREW M6-1 X 20            |

| REF | PART #   | DESCRIPTION              |
|-----|----------|--------------------------|
| 222 | P0690222 | HEX NUT M6-1             |
| 223 | P0690223 | FENDER WASHER 10MM       |
| 224 | P0690224 | FLAT WASHER 8MM          |
| 225 | P0690225 | LOCK WASHER 8MM          |
| 226 | P0690226 | CAP SCREW M8-1.25 X 20   |
| 234 | P0690234 | TRUNNION                 |
| 235 | P0690235 | PIN KNOB                 |
| 236 | P0690236 | COMPRESSION SPRING       |
| 237 | P0690237 | POSITION PIN SET         |
| 238 | P0690238 | SET SCREW M6-1 X 12      |
| 239 | P0690239 | LOCK WASHER 6MM          |
| 240 | P0690240 | SPACER                   |
| 241 | P0690241 | SPLITTER TIGHTENING CLIP |
| 242 | P0690242 | HEX BOLT M6-1 X 30       |



# Blade Guard

301AV4

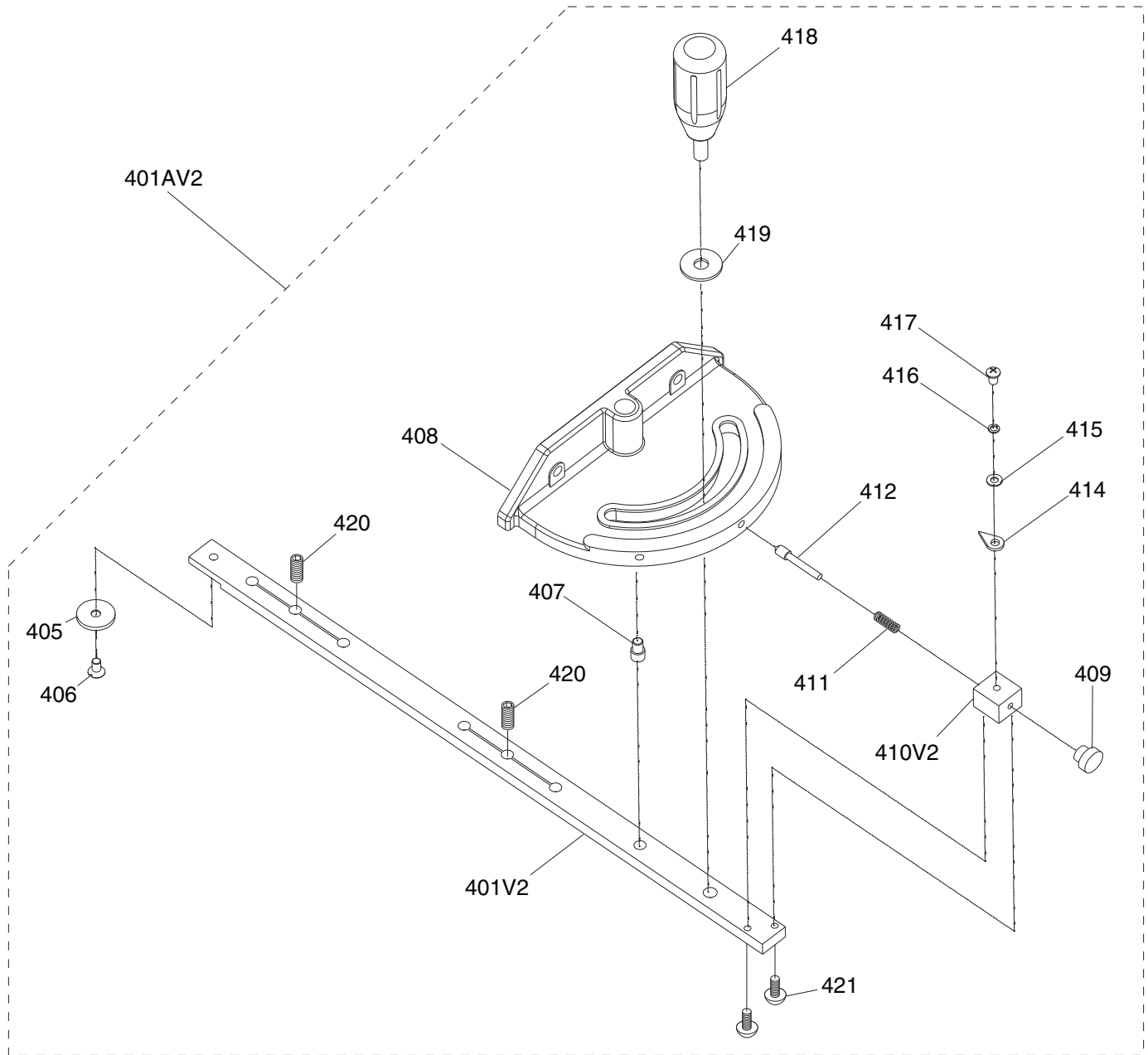


| REF    | PART #      | DESCRIPTION                   |
|--------|-------------|-------------------------------|
| 301AV4 | P0690301AV4 | BLADE GUARD ASSEMBLY V4.11.10 |
| 315    | P0690315    | ROLL PIN 4 X 20               |
| 319    | P0690319    | TORSION SPRING                |
| 322V2  | P0690322V2  | SUPPORTING ARM V2.10.10       |
| 323    | P0690323    | PHLP HD SCR M6-1 X 25         |
| 324    | P0690324    | FLAT WASHER 6MM               |
| 326    | P0690326    | TOP GUARD                     |
| 327    | P0690327    | PHLP HD SCR M4-.7 X 6         |
| 328    | P0690328    | FRONT GUARD                   |
| 329V2  | P0690329V2  | ROLL PIN 6 X 32               |
| 330    | P0690330    | SPACER                        |
| 331V2  | P0690331V2  | SIDE GUARD V2.10.10           |
| 332V2  | P0690332V2  | GUARD SUPPORT V2.10.10        |
| 333V2  | P0690333V2  | PHLP HD SCR M4-.7 X 10        |
| 334    | P0690334    | FLAT WASHER 5MM               |
| 335V2  | P0690335V2  | LOCK NUT M6-1                 |
| 339V2  | P0690339V2  | FLAT WASHER 5MM               |

| REF   | PART #     | DESCRIPTION             |
|-------|------------|-------------------------|
| 340V2 | P0690340V2 | HEX BOLT M4-.7 X 8      |
| 341V2 | P0690341V2 | PHLP HD SCR M6-1 X 30   |
| 342V2 | P0690342V2 | SPACER V2.10.10         |
| 345   | P0690345   | SPACER                  |
| 346   | P0690346   | HEX BOLT M5-.8 X 20     |
| 347   | P0690347   | LOCK NUT M5-.8          |
| 348   | P0690348   | FLAT WASHER 5MM         |
| 349   | P0690349   | PAWL                    |
| 350V2 | P0690350V2 | SPLITTER V2.12.09       |
| 351   | P0690351   | RIVING KNIFE            |
| 352V2 | P0690352V2 | RIVET V2.11.10          |
| 353   | P0690353   | RIVING KNIFE HOOK PLATE |
| 354V2 | P0690354V2 | RIVET 5 X 12MM V2.11.10 |
| 355   | P0690355   | LOCK NUT M6-1           |
| 356   | P0690356   | GUARD CLAMP             |
| 357   | P0690357   | PHLP HD SCR M6-1 X 35   |
| 358   | P0690358   | HEX BOLT M5-.8 X 8      |



# Miter Gauge

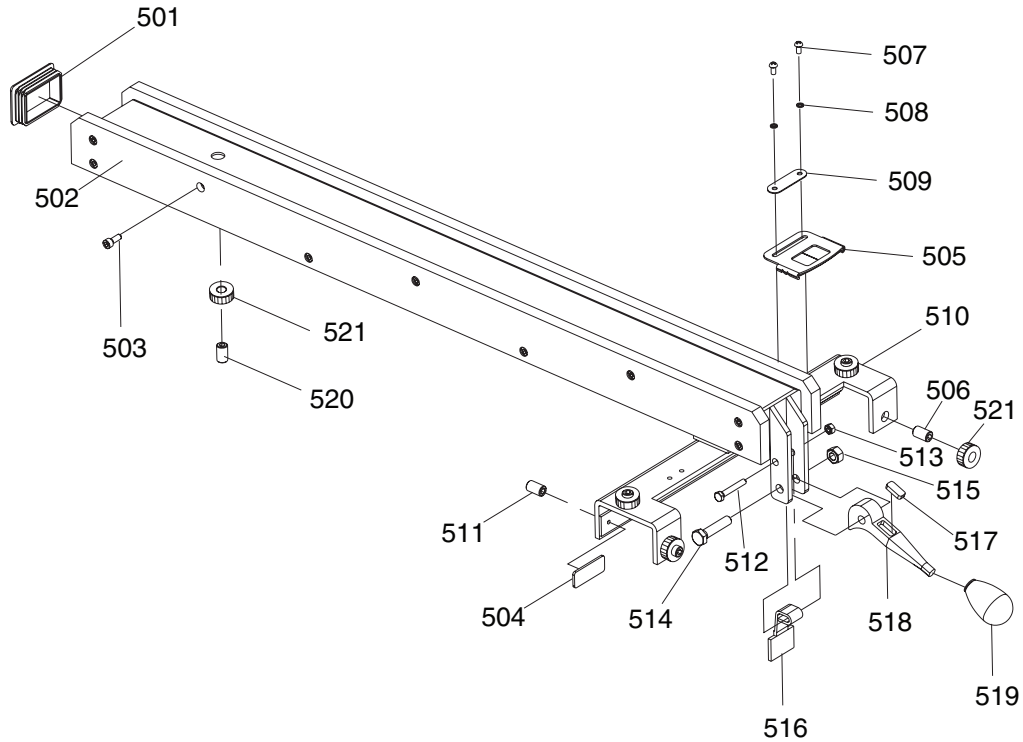


| REF    | PART #      | DESCRIPTION                   |
|--------|-------------|-------------------------------|
| 401AV2 | P0690401AV2 | MITER GAUGE ASSEMBLY V2.10.15 |
| 401V2  | P0690401V2  | MITER BAR V2.10.15            |
| 405    | P0690405    | MITER RING                    |
| 406    | P0690406    | FLAT HD SCR M5-.8 X 8         |
| 407    | P0690407    | MITER BODY PIVOT PIN          |
| 408    | P0690408    | MITER GAUGE BODY              |
| 409    | P0690409    | MITER STOP PIN KNOB           |
| 410V2  | P0690410V2  | MITER STOP PIN BLOCK V2.10.15 |
| 411    | P0690411    | COMPRESSION SPRING            |

| REF | PART #   | DESCRIPTION                  |
|-----|----------|------------------------------|
| 412 | P0690412 | MITER STOP PIN               |
| 414 | P0690414 | POINTER MITER GAUGE          |
| 415 | P0690415 | FLAT WASHER 4MM              |
| 416 | P0690416 | LOCK WASHER 4MM              |
| 417 | P0690417 | PHLP HD SCR M4-.7 X 8        |
| 418 | P0690418 | MITER KNOB                   |
| 419 | P0690419 | FENDER WASHER 8MM            |
| 420 | P0690420 | SET SCREW M8-1.25 X 6        |
| 421 | P0690421 | BUTTON HD CAP SCR M4-.7 X 10 |



# Fence



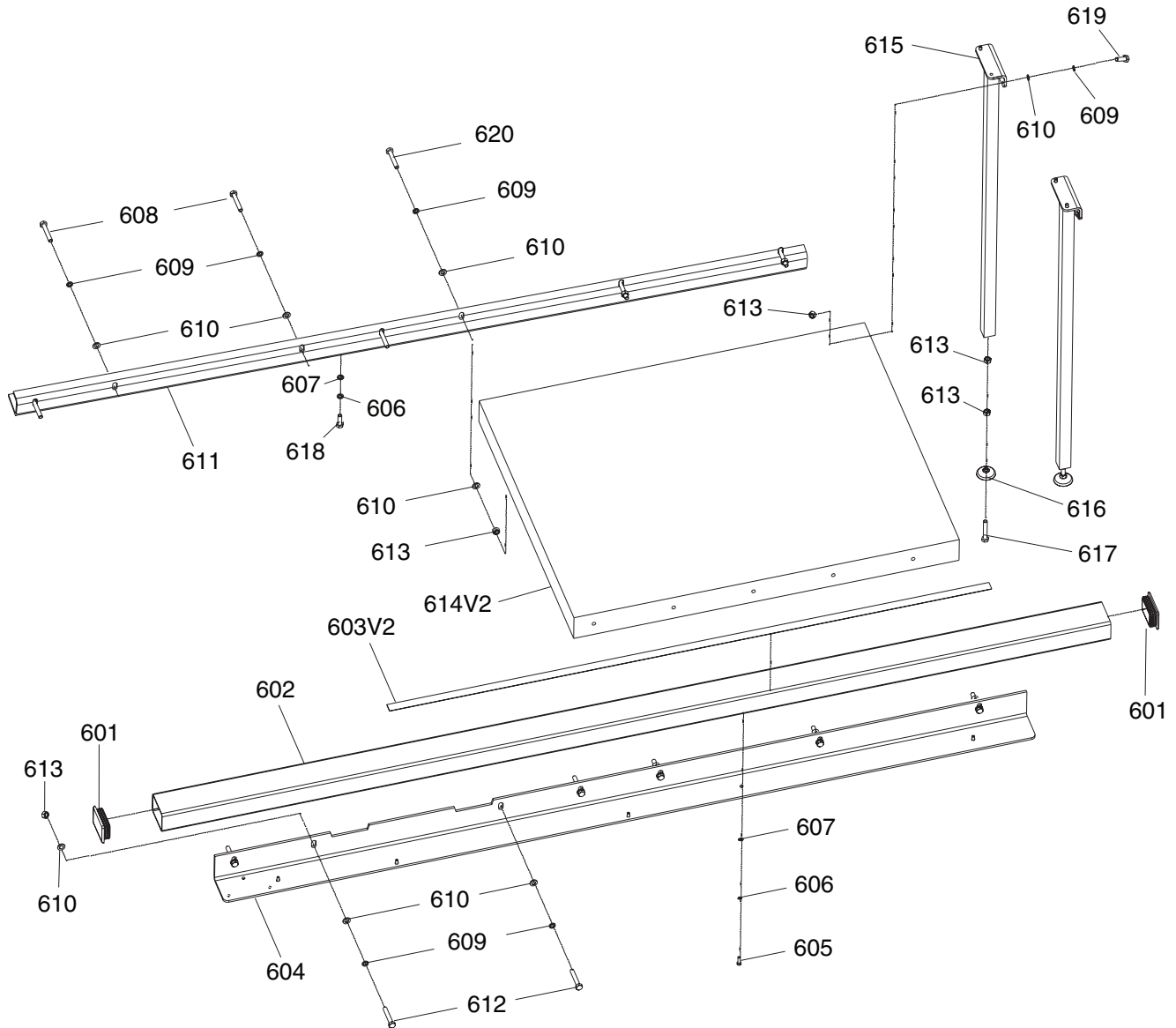
| REF | PART #   | DESCRIPTION             |
|-----|----------|-------------------------|
| 501 | P0690501 | FENCE INSERT            |
| 502 | P0690502 | FENCE FACE              |
| 503 | P0690503 | CAP SCREW M6-1 X 16     |
| 504 | P0690504 | GLIDE PAD               |
| 505 | P0690505 | FENCE SCALE WINDOW      |
| 506 | P0690506 | SET SCREW M12-1.75 X 15 |
| 507 | P0690507 | PHLP HD SCR M5-.8 X 10  |
| 508 | P0690508 | LOCK WASHER 5MM         |
| 509 | P0690509 | INDICATOR               |
| 510 | P0690510 | FENCE BODY              |
| 511 | P0690511 | SET SCREW               |

| REF | PART #   | DESCRIPTION                     |
|-----|----------|---------------------------------|
| 512 | P0690512 | HEX BOLT M6-1 X 40              |
| 513 | P0690513 | LOCK NUT M6-1                   |
| 514 | P0690514 | HEX BOLT M10-1.5 X 45           |
| 515 | P0690515 | LOCK NUT M10-1.25               |
| 516 | P0690516 | CAM FOOT                        |
| 517 | P0690517 | MAGNET                          |
| 518 | P0690518 | CAM                             |
| 519 | P0690519 | FENCE LOCK KNOB                 |
| 520 | P0690520 | BRASS GLIDE SCREW M12-1.75 X 30 |
| 521 | P0690521 | SPECIAL LOCKING NUT M12-1.75    |





# Extension Table (G0691)



| REF   | PART #     | DESCRIPTION              |
|-------|------------|--------------------------|
| 601   | P0691601   | FENCE INSERT             |
| 602   | P0691602   | GUIDE TUBE               |
| 603V2 | P0691603V2 | SCALE V2.04.11           |
| 604   | P0691604   | FRONT RAIL               |
| 605   | P0691605   | CAP SCREW M6-1 X 16      |
| 606   | P0691606   | LOCK WASHER 6MM          |
| 607   | P0691607   | FLAT WASHER 6MM          |
| 608   | P0691608   | HEX BOLT 5/16-18 X 1-1/2 |
| 609   | P0691609   | LOCK WASHER 8MM          |
| 610   | P0691610   | FLAT WASHER 8MM          |

| REF   | PART #     | DESCRIPTION            |
|-------|------------|------------------------|
| 611   | P0691611   | REAR RAIL              |
| 612   | P0691612   | HEX BOLT M8-1.25 X 40  |
| 613   | P0691613   | HEX NUT M8-1.25        |
| 614V2 | P0691614V2 | TABLE BOARD V2.11.13   |
| 615   | P0691615   | LEG                    |
| 616   | P0691616   | FOOT                   |
| 617   | P0691617   | HEX BOLT M8-1.25 X 60  |
| 618   | P0691618   | CAP SCREW M6-1 X 16    |
| 619   | P0691619   | CAP SCREW M8-1.25 X 20 |
| 620   | P0691620   | HEX BOLT M8-1.25 X 30  |



# Labels and Cosmetics



| REF | PART #   | DESCRIPTION        |
|-----|----------|--------------------|
| 701 | P0690701 | FENCE LABEL        |
| 702 | P0690702 | GUARD LABEL        |
| 703 | P0690703 | ELECTRICITY LABEL  |
| 704 | P0690704 | KEEP CLOSED LABEL  |
| 705 | P0690705 | UNPLUG POWER LABEL |
| 706 | P0690706 | READ MANUAL LABEL  |
| 707 | P0690707 | GRIZZLY NAMEPLATE  |

| REF | PART #   | DESCRIPTION              |
|-----|----------|--------------------------|
| 708 | P0690708 | MODEL # LABEL G0690      |
| 708 | P0691708 | MODEL # LABEL G0691      |
| 709 | P0690709 | MACHINE ID LABEL G0690   |
| 709 | P0691709 | MACHINE ID LABEL G0691   |
| 710 | P0690710 | GLASSES RESPIRATOR LABEL |
| 712 | P0690712 | "PUTTY" PAINT            |

**⚠ WARNING**

Safety labels warn about machine hazards and ways to prevent injury. The owner of this machine **MUST** maintain the original location and readability of the labels on the machine. If any label is removed or becomes unreadable, **REPLACE** that label before using the machine again. Contact Grizzly at (800) 523-4777 or [www.grizzly.com](http://www.grizzly.com) to order new labels.

