

Hammock Stand Wheel Kit

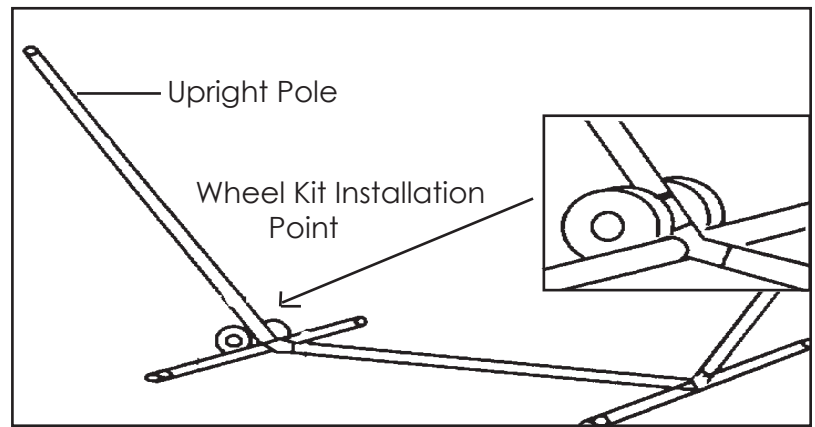
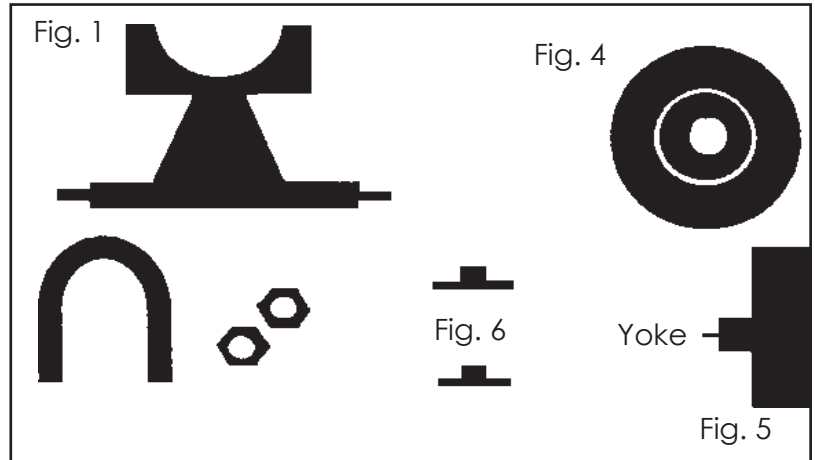
***Congratulations on your purchase of the Hammock Stand Wheel Kit.
 We believe that you will find it a product of unsurpassed quality and durability.***

This Wheel Kit, when properly installed, will allow you to move your hammock and stand (remember to empty the hammock first, of course) much more easily in order to follow the sun, stay in the shade, or simply move the combination to mow the lawn.

ASSEMBLY INSTRUCTIONS:

The following steps should be taken in order to install your Hammock Stand Wheel Kit on your hammock stand:

1. Assemble the stand per instructions included with the stand.
2. Attach the wheel bracket (Fig. 1) to the upright pole for large stands (see diagram) using the U-bolt and hex nuts provided. (See Fig. 2 & 3) Do not tighten the hex nuts at this point.
3. Place a wheel (Figs. 4 & 5) on each axle of the wheel bracket.
4. Hand tighten the hex nuts on the U-bolt while holding the bracket and wheels at a point that holds the wheels approximately 1/16" above the surface on which the stand is resting.
5. Remove the wheels from the axles to provide easier access to the hex nuts and tighten the hex nuts.
6. Replace the wheels on the axles, making sure that the longer yokes (Fig. 5) of each wheel are turned inward. Secure the wheels to the axles with the axle caps (Fig. 6) by placing the cap over the axle and striking the cap with a small hammer.
7. The stand now can be moved by lifting the end of the stand opposite the wheels.



WARRANTY INFORMATION:

Products of The HammockSource are guaranteed to be free of defects in workmanship and materials for up to one year after the purchase date. Prolonged exposure to weather conditions including snow, rain, and humidity are not covered under the warranty nor is damage caused by normal wear, mildew, improper care including storage, maintenance, and installation. If an item is found to be defective within one year of its purchase, it will be replaced without charge upon the return of the unit accompanied by a sales receipt. If you choose to return an item, you must contact our customer service department at 800.643.3522 to obtain a Return Authorization Number that will allow us to track your unit once it arrives at our warehouse; thereby creating a faster response to your concern.