

Owner's Manual

LED Indoor Lighting Fixture Installation Instructions

WARRANTY INFORMATION

This Westinghouse Lighting Fixture is warranted against defects in material and workmanship for a period of Five Years from purchase date. This warranty is in lieu of all other warranties expressed or implied.

This warranty does not cover acts of nature such as lightning damage, or corrosion and discoloration of components, nor does it cover damages caused through abuse, improper installation, surges in electric current, or acts of third parties.

This warranty does not cover costs of removing and re-installing the lighting fixture.

If this product fails for any reason covered by this warranty, contact us toll free at 1-888-417-6222.

ASSEMBLY INSTRUCTIONS FOR INDOOR LIGHTING FIXTURE

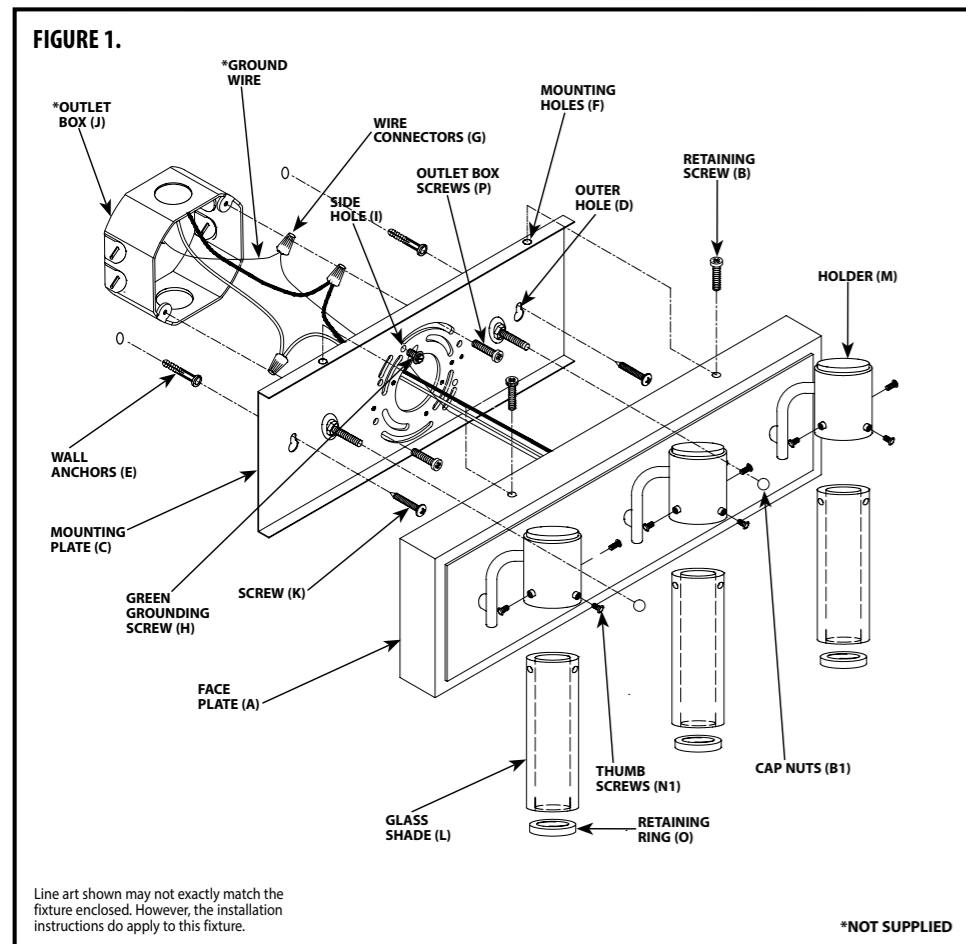
Congratulations on your Westinghouse purchase. This fixture has been designed to give you many years of beauty and service. For questions and comments, please visit www.westinghouselighting.com/contact-us.

NOTE: Carefully unpack fixture and parts. Make sure all parts are included before discarding any packing materials (see figure 1).

WARNING: ELECTRICAL SHOCK CAN RESULT IN SERIOUS INJURY.

Read and follow instructions exactly as shown. If instructions are unclear, do not proceed. Contact a qualified electrician. Read all instructions before beginning. Proper wiring is essential for safe operation of this fixture. When cutting or drilling into walls or ceilings, do not damage electrical wiring, gas lines, or water lines. If any of the fixture or wiring components are damaged, do not install fixture. Return to place of purchase.

For fixtures provided with 75° C or 90° C supply wire warning only. (These warnings are provided on the U.L. label and on the fixture carton.) Risk of fire. Most dwellings built before 1985 have supply wires rated 60° C. Consult a qualified electrician before installing.



NOTE: THIS FIXTURE IS SUITABLE FOR USE WITH DIMMABLE SWITCHES, SEE BELOW FOR LIST OF COMPATIBLE DIMMERS.

Brand	Model #	DIMMING RATING
Lutron	CTCL-153PDH-WH, MACL-153MR-WH, SCL-153PR-WH,	10-100%
	TGCL-153PH-WH, DVCL-153P, S-600P	
Leviton	IPL06, 6674, IPI06, 6631	10-100%

Not recommended for use with motion sensors, light sensors, timers or any other external controls.

MOUNTING AND WIRING INSTRUCTIONS

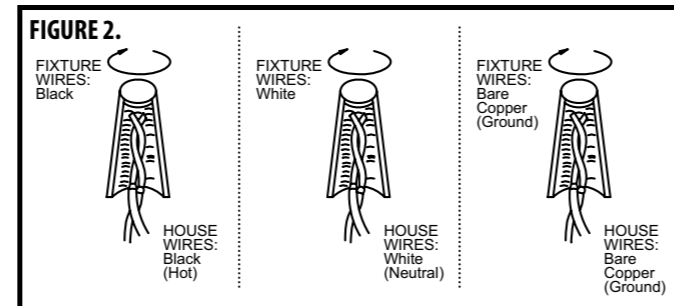
NOTE: Underwriters Laboratories (UL) does not require all fixtures to have ground wires. These fixtures meet all UL specifications.

1. Turn off power at circuit box to avoid possible electric shock.
2. Beginning at sides and working at an angle, peel protective coating (if applicable) from face plate (A) (see fig. 1).
3. Remove retaining screws (B) from top of face plate (A) or cap nuts (B1) from face plate (A) and separate mounting plate (C) from face plate (A).
4. Position flat side of mounting plate (C) against wall at mounting location and mark outer holes (D) with a pencil.
NOTE: Mounting plate (C) must be level for fixture to hang straight.
5. Drill a 1/8 inch hole at each pencil mark then insert wall anchors (E) by gently tapping with a hammer.
6. Thread outlet box wires through center opening in mounting plate (C).
7. Position mounting plate (C) with outer holes (D) over wall anchors (E) and secure with screws (K) or secure mounting plate (C) to outlet box (J) with outlet box screws (P) (if applicable).
8. Identify color coding of fixture wires (see fig. 2).
9. Connect the black wire from the fixture with the black wire (live wire) from the outlet box by wire connector (G), and wrap the wire connector (G) with electrical tape for a more secure connection.
10. Connect the white wire from the fixture with the white wire (neutral wire) from the outlet box by wire connector (G), and wrap the wire connector (G) with electrical tape for a more secure connection.
11. Partially thread green grounding screw (H) into side hole (I) on mounting plate (C) (see fig.1.)
12. Wrap grounding wire from fixture around green grounding screw (H) leaving enough excess wire, then connect the excess grounding wire from the fixture with the grounding wire from outlet box by wire connector (G) (if applicable), then wrap the wire connector (G) with electrical tape for a more secure connection.
13. Tighten green grounding screw (H). Do not over tighten.
14. Tuck wires inside outlet box (J).

FIXTURE ASSEMBLY INSTRUCTIONS

Warning: This fixture is for indoor use only.

1. Replace face plate (A) over mounting plate (C) and secure with retaining screws (B) or cap nuts (B1).
2. Place glass shade(s) (L) into holder(s) (M) and secure with retaining ring(s) (O) or thumb screws (N1) (if applicable).
3. Turn power back on at circuit box.



WARNING

Turn off electricity to the mounting site before beginning installation.

Mounting instructions must be followed exactly as shown for the fixture to be safely supported.

CLEANING AND CARE

To clean, wipe fixture with soft cloth. Clean glass with mild soap. Spray from chemical cleaners can discolor the finish of fixture. Do not use scouring pads, powders, steel wool or abrasive paper to clean this fixture.

NOTE FOR FIXTURES THAT ARE SOLID BRASS:

Your hand-crafted, solid brass lighting fixture has been coated with a durable, baked-on acrylic lacquer which gives maximum protection against the weather. However, in time the brightness of the brass will tarnish, giving way to an authentic old-world brass finish. To keep your solid brass fixture looking new for years to come, regularly apply a good quality, non-abrasive car wax to all metal surfaces, giving the fixture an extra protective covering.

ORDERING PARTS

Keep this manual for future reference, and in case replacement parts are needed. Available parts can be ordered from place of purchase. Use exact wording from diagrams when ordering parts.

Westinghouse Lighting, Philadelphia, PA 19154-1029, U.S.A.

www.westinghouselighting.com

WESTINGHOUSE, and INNOVATION YOU CAN BE SURE OF are trademarks of Westinghouse Electric Corporation.

Used under licensee by Westinghouse Lighting.

All rights reserved.

Made in China

Guide d'utilisation

Instructions d'installation Appareil d'éclairage pour utilisation intérieure avec LED

GARANTIE LIMITÉE DE CINQ ANS

Cet appareil d'éclairage Westinghouse est assorti d'une garantie de 5 ans contre les défauts de matériaux et de fabrication, qui entre en vigueur à partir de la date d'achat. La présente garantie se substitue à toute autre garantie expresse ou tacite.

Cette garantie ne porte ni sur les dommages survenant suite à une catastrophe naturelle (telle que la foudre), ni sur la corrosion ou la décoloration des pièces; la garantie ne porte pas sur les dommages survenant suite à une utilisation anormale, une installation impropre, une surtension de courant électrique ou des actes d'un tiers.

Cette garantie ne porte pas sur les frais de démontage et de réinstallation du ventilateur.

Si ce produit ne fonctionne pas, pour une raison quelconque couverte par cette garantie, contactez-nous gratuitement au numéro suivant : 1-888-417-6222.

LES INSTRUCTIONS D'ASSEMBLAGE DE L'APPAREIL D'ÉCLAIRAGE POUR UTILISATION INTÉRIEURE

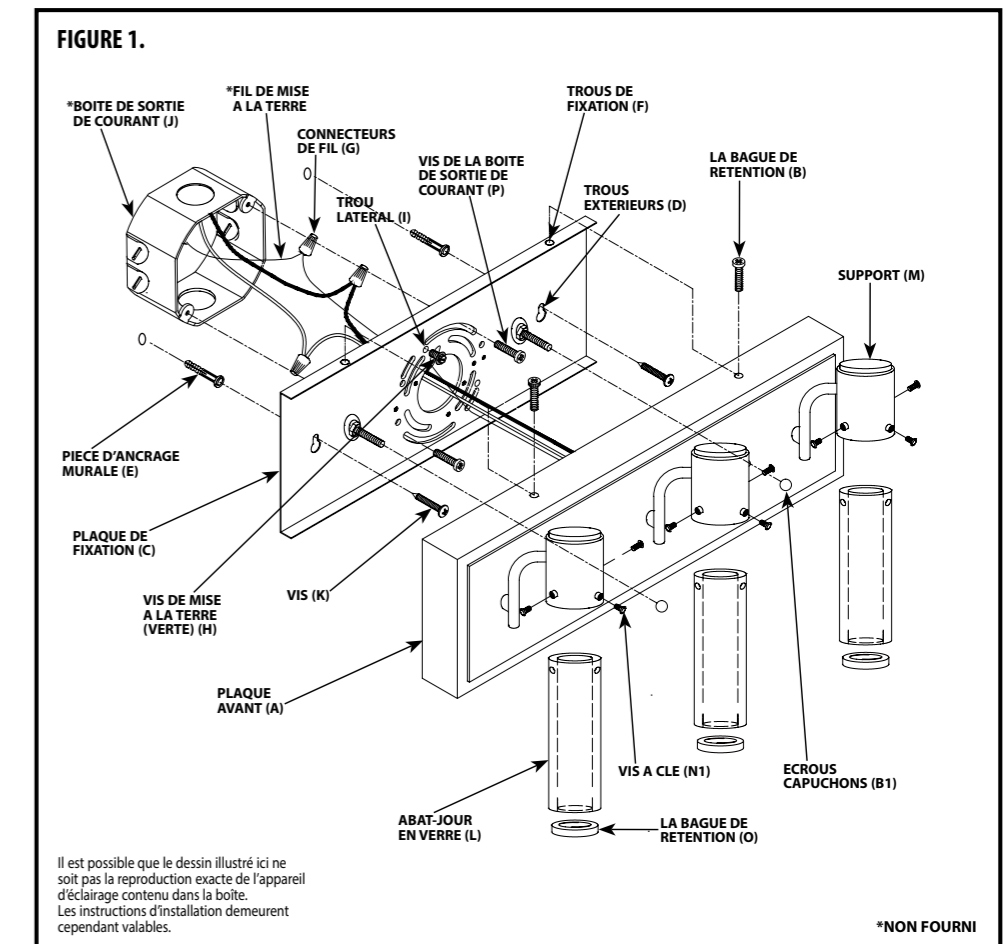
Félicitations ! Vous avez acheté un produit de Westinghouse Lighting. Cet appareil d'éclairage a été conçu pour durer de nombreuses années. Si vous avez des questions ou des commentaires à nous communiquer, veuillez visiter www.westinghouselighting.com/contact-us.

NOTA : Déballer soigneusement l'appareil d'éclairage et les pièces. Assurez-vous que toutes les pièces y sont avant de mettre l'emballage au rebut (voir fig. 1).

MISE EN GARDE: L'ÉLECTROCUTION POURRAIT CAUSER DE GRAVES BLESSURES PERSONNELLES.

Lisez ces instructions et suivez-les exactement comme illustré. En cas de doute, ne commencez pas l'installation. Consultez un électricien qualifié. Lisez toutes les instructions avant de commencer l'installation. Un câblage approprié est essentiel au bon fonctionnement de cet appareil d'éclairage. Lorsque vous faites une entaille ou que vous percez un trou dans un mur ou un plafond, n'endommagez pas les câbles électriques, les canalisations de gaz ou d'eau. Si l'un des composants de raccordement ou de l'appareil d'éclairage est endommagé, n'installez pas cet appareil d'éclairage. Retournez-le à l'endroit où vous l'avez acheté.

Convient uniquement aux appareils comportant un avertissement indiquant que l'appareil d'éclairage est doté d'un fil supportant une chaleur de 75°C ou 90°C. (Ces avertissements se trouvent sur l'étiquette U.L. et sur l'emballage de l'appareil d'éclairage.)



Il est possible que le dessin illustré ici ne soit pas la reproduction exacte de l'appareil d'éclairage contenu dans la boîte. Les instructions d'installation demeurent cependant valables.

*NON FOURNI

