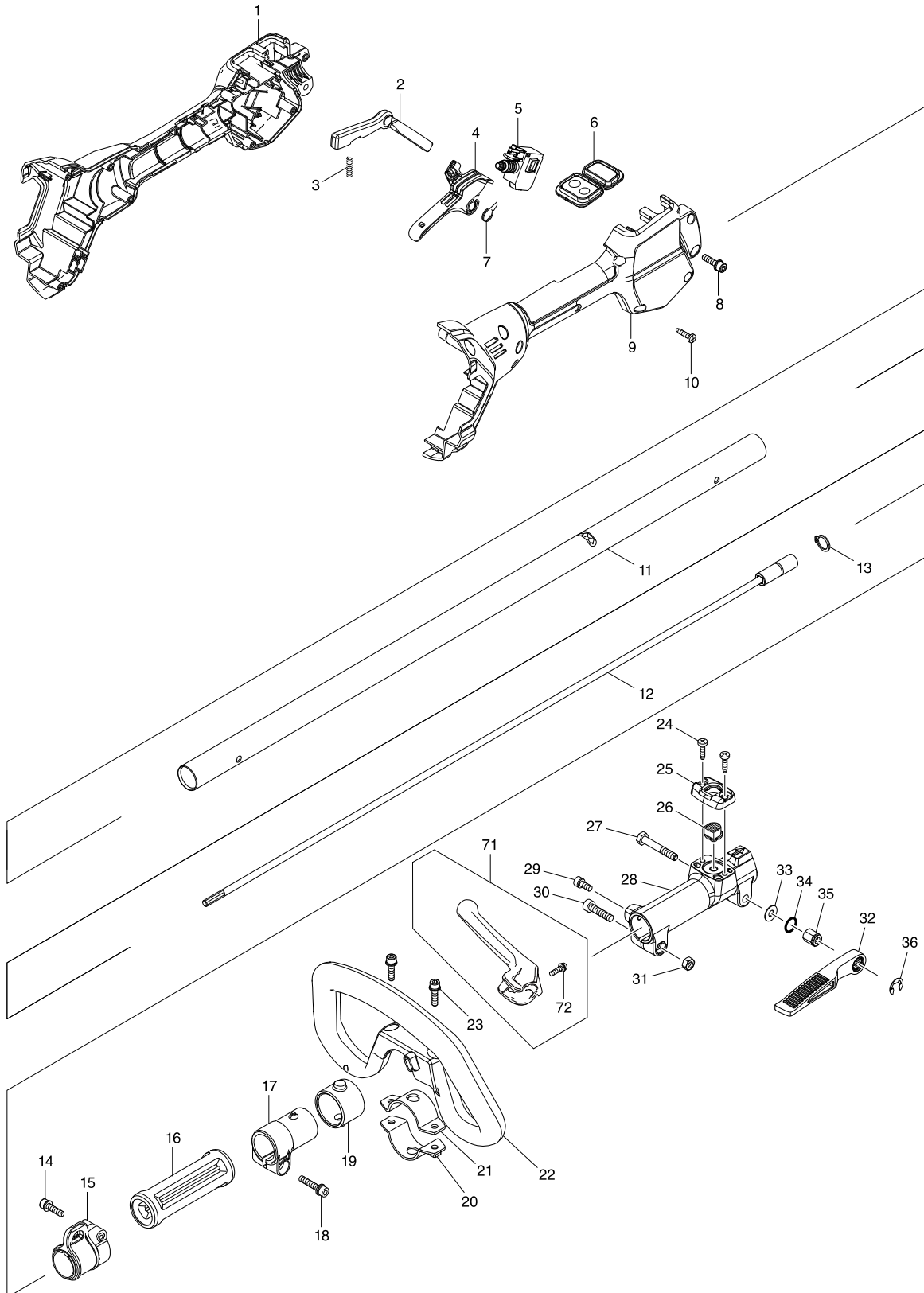




XUX01ZM5

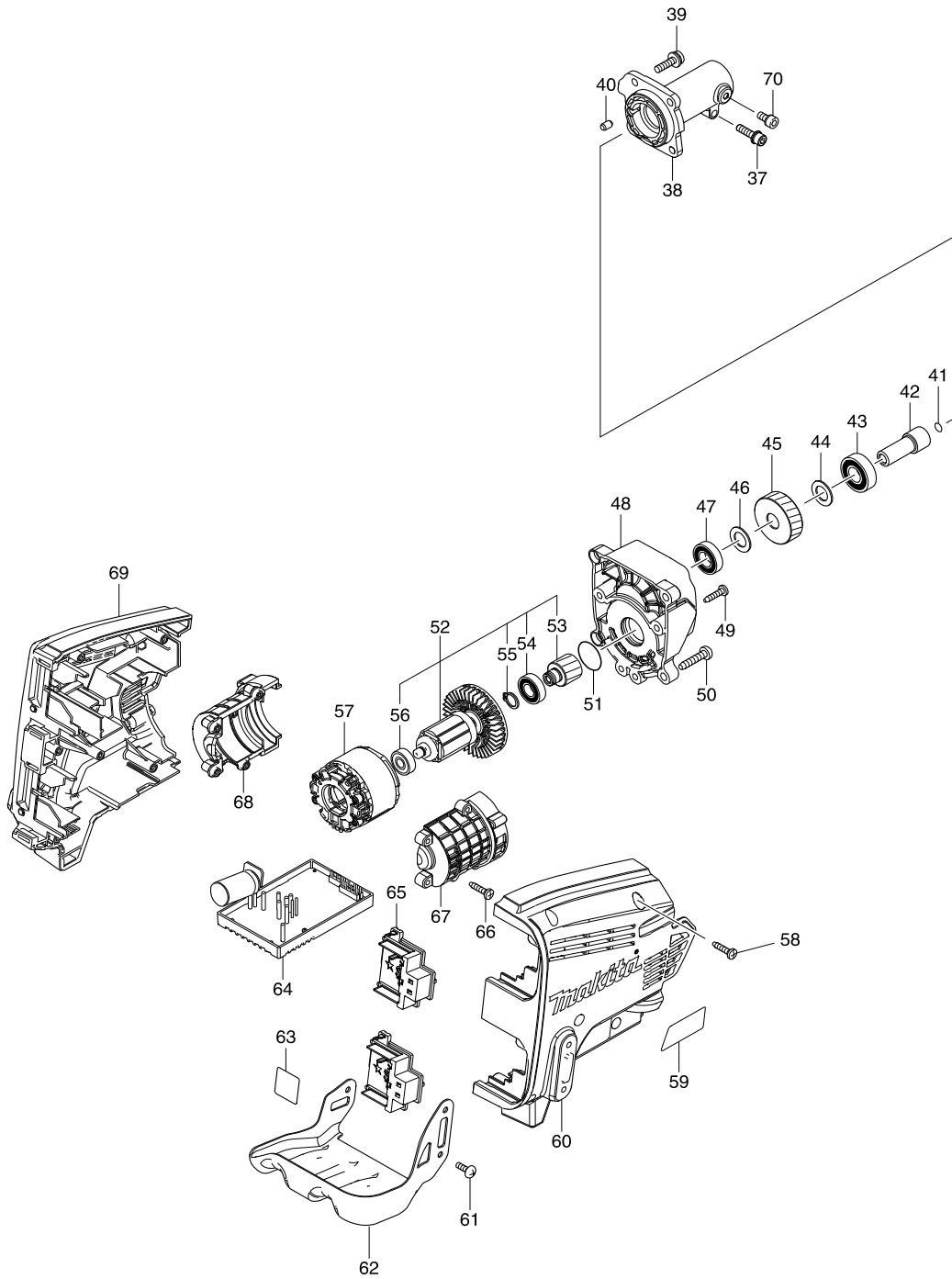


Products with multiple versions are listed in subsiding order with the newest version on top not indented.

Section	Fig. No.	Part No.	Description	XUX01ZM5	Tech Bulletin	Notes
1	1	183G31-7	GRIP SET	1		INC. 9
1	2	457773-0	LOCK OFF LEVER	1		
1	3	233101-1	COMPRESSION SPRING 4	1		
1	4	457771-4	SWITCH LEVER	1		
1	5	650709-0	SWITCH C3JW-1A-P	1		
1	6	144570-0	SUB CONTROLLER COMPLETE	1		
1	7	233540-5	TORSION SPRING 11	1		
1	8	922233-6	HEX SOCKET HEAD BOLT M5X20	1		
1	9	183G31-7	GRIP SET	1		
1	10	266326-2	TAPPING SCREW 4X18	8		
1	11	144839-2	SHAFT PIPE B COMPLETE	1		
1	12	141238-9	SHAFT B COMPLETE	1		
1	13	961052-5	RETAINING RING S-12	1		
1	14	922233-6	HEX SOCKET HEAD BOLT M5X20	1		
1	15	168478-4	HANGER	1		
1	16	451601-1	SPACER 24	1		
1	17	457269-1	PIPE HOLDER 24	1		
1	18	922244-1	H.S.H.BOLT M5X25 WITH WG	1		
1	19	424942-8	DAMPER	1		
1	20	347114-7	LOWER CLAMP 35	1		
1	21	347113-9	UPPER CLAMP 35	1		
1	22	457772-2	LOOP HANDLE	1		
1	23	922233-6	HEX SOCKET HEAD BOLT M5X20	2		
1	24	266034-5	TAPPING SCREW CT 4X16	2		
1	25	452840-6	RELEASE BUTTON COVER	1		
1	26	452839-1	RELEASE BUTTON	1		
1	27	265596-0	HEX.BOLT M6X40	1		
1	28	318750-6	JOINT 24	1		
1	29	922211-6	HEX. SOCKET HEAD BOLT M5X12	1		
1	30	922342-1	HEX. SOCKET HEAD BOLT M6X25	1		
1	31	931302-2	HEX. NUT M6	1		
1	32	272268-0	LEVER 94	1		
1	33	253332-6	THIN WASHER 6	1		
1	34	213105-9	O RING 11	1		
1	35	252159-1	HEX. NUT M6	1		

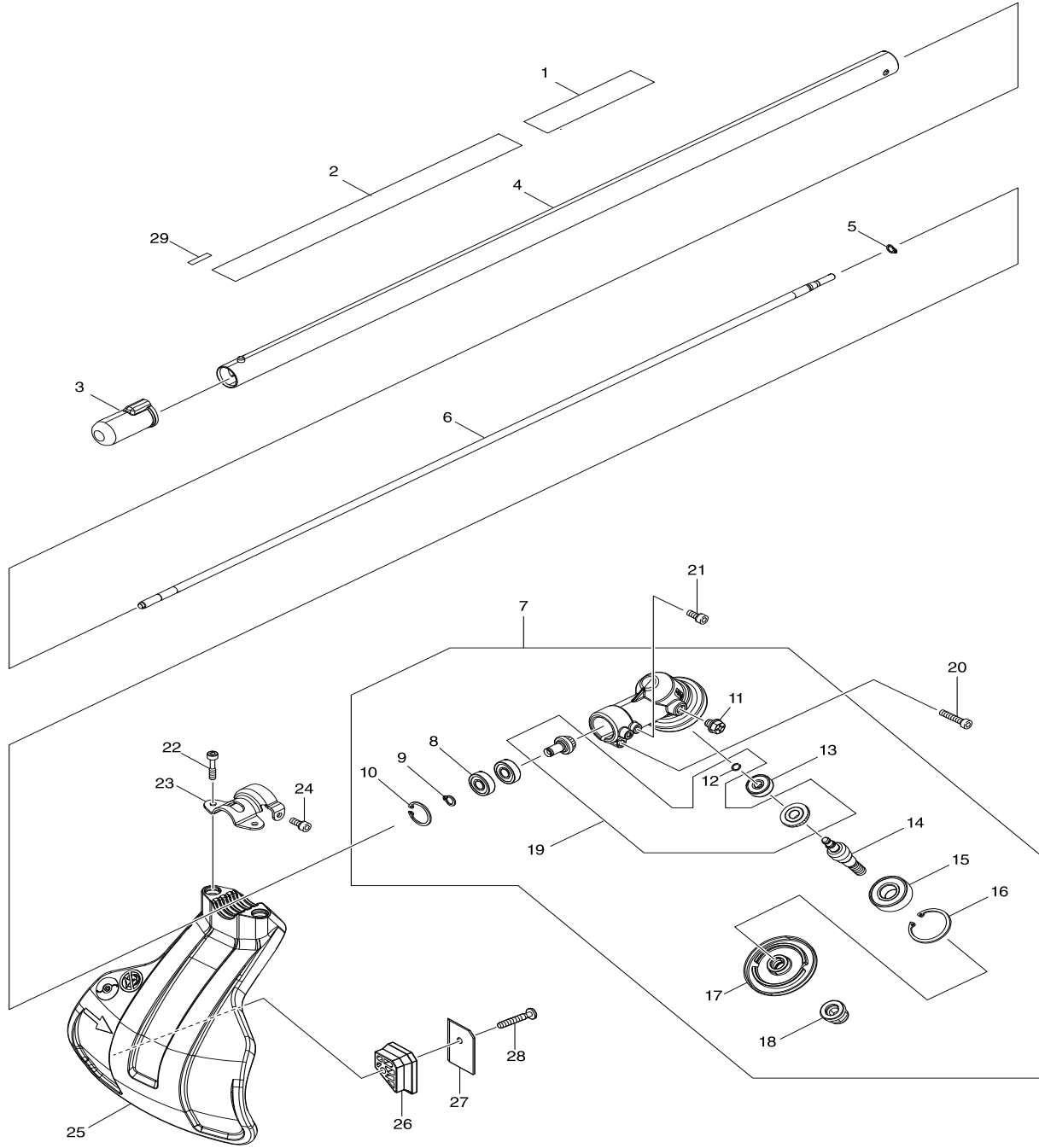
Products with multiple versions are listed in subsiding order with the newest version on top not indented.

Section	Fig. No.	Part No.	Description	XUX01ZM5	Tech Bulletin	Notes
1	36	961014-3	STOP RING E-8	1		
1	71	144315-6	BARRIER COMPLETE	1		INC. 72
1	72	911128-8	P.H.SCREW M4X16 WITH WR	1		



Products with multiple versions are listed in subsiding order with the newest version on top not indented.

Section	Fig. No.	Part No.	Description	XUX01ZM5	Tech Bulletin	Notes
2	37	922233-6	HEX SOCKET HEAD BOLT M5X20	1		
2	38	319609-0	PIPE BRACKET	1		
2	39	911233-1	PAN HEAD SCREW M5X20	4		
2	40	263002-9	RUBBER PIN 4	1		
2	41	213045-1	O-RING 6	1		
2	42	325811-5	SPINDLE HUB	1		
2	43	211101-1	BALL BEARING 6001ZZ	1		
2	43	211148-5	BALL BEARING 6001ZZ	1		
2	44	253744-3	FLAT WASHER 12	1		
2	45	227720-3	HELICAL GEAR 33	1		
2	46	253744-3	FLAT WASHER 12	1		
2	47	211150-8	BALL BEARING 6901ZZ	1		
2	48	319608-2	GEAR BOX	1		
2	49	266326-2	TAPPING SCREW 4X18	4		
2	50	266041-8	TAPPING SCREW 5X25	4		
2	51	213961-7	O RING 22	1		
2	52	519447-2	ROTOR ASS'Y	1		INC. 53-56
2	53	227721-1	HELICAL GEAR 16	1		
2	54	210069-8	BALL BEARING 6900DDW	1		
2	55	961006-2	RETAINING RING S-10	1		
2	56	210062-2	BALL BEARING 607ZZ	1		
2	57	629269-3	STATOR	1		
2	58	266326-2	TAPPING SCREW 4X18	6		
2	59	853S60-3	XUX01 NAME PLATE	1		
2	60	183H37-1	HOUSING SET	1		INC. 69
2	61	251314-2	+ SCREW M4X12	3		
2	62	346858-6	BATTERY GUARD	1		
2	63	853S65-3	XUX01 SERIAL NO. LABEL	1		
2	64	620677-1	CONTROLLER	1		
2	65	644809-6	TERMINAL	2		
2	66	266326-2	TAPPING SCREW 4X18	4		
2	67	183G30-9	MOTOR HOUSING SET	1		INC. 68
2	68	183G30-9	MOTOR HOUSING SET	1		INC. 67
2	69	183H37-1	HOUSING SET	1		INC. 60
2	70	922211-6	HEX. SOCKET HEAD BOLT M5X12	1		



Products with multiple versions are listed in subsiding order with the newest version on top not indented.

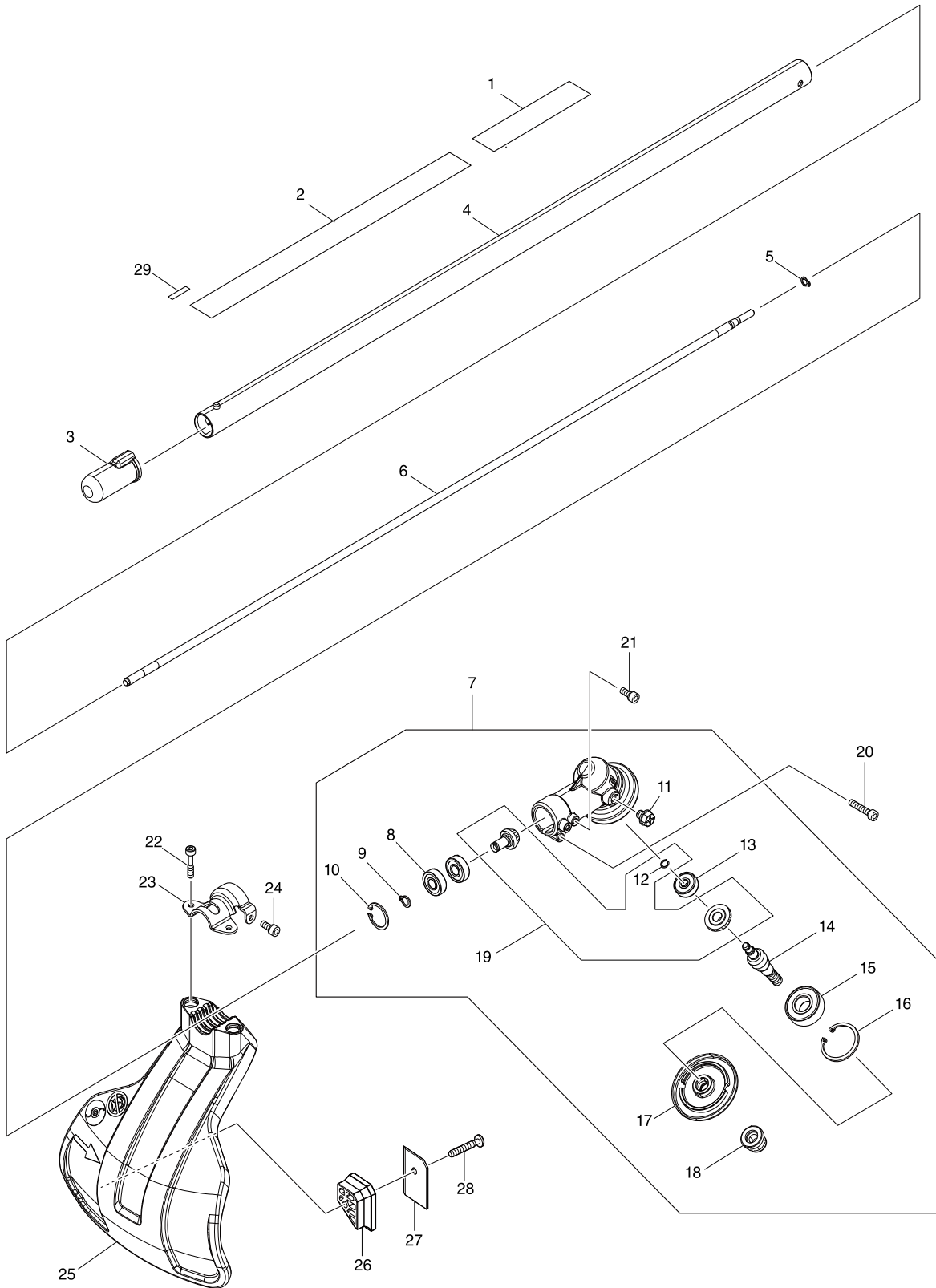
Section	Fig. No.	Part No.	Description	XUX01ZM5	Tech Bulletin	Notes
3	1	819312-8	MAKITA LOGO LABEL	1		
3	2	813M13-8	CAUTION LABEL	1		
3	3	424434-7	CAP 24	1		
3	4	141010-9	SHAFT PIPE A COMPLETE	1		
3	5	961003-8	RETAINING RING S-7	1		
3	6	326088-5	SHAFT A	1		
3	7	123975-7	GEAR CASE ASSEMBLY US	1		INC. 8-11,13-19
3	8	210049-4	BALL BEARING 609ZZ	2		
3	9	257986-1	RETAINING RING (EXT) S-9	1		
3	10	257987-9	RETAINING RING (INT)R-24	1		
3	11	265590-2	+HEX.BOLT M8X10 WITH R	1		
3	12	232350-7	RING SPRING 6	1		
3	13	210030-5	BALL BEARING 627ZZ	1		
3	14	326853-2	CUTTER SHAFT	1		
3	15	211228-7	BALL BEARING 6202DDW	1		
3	16	257432-4	RETAINING RING R-35	1		
3	17	144312-2	RECEIVE WASHER COMPLETE	1		
3	18	252236-9	HEX. LOCK NUT M10-17	1		
3	19	183J06-4	SPIRAL BEVEL GEAR SET	1		
3	8	210049-4	BALL BEARING 609ZZ	2		
3	9	257986-1	RETAINING RING (EXT) S-9	1		
3	10	257987-9	RETAINING RING (INT)R-24	1		
3	11	265590-2	+HEX.BOLT M8X10 WITH R	1		
3	12	232350-7	RING SPRING 6	1		
3	13	210030-5	BALL BEARING 627ZZ	1		
3	14	326853-2	CUTTER SHAFT	1		
3	15	211228-7	BALL BEARING 6202DDW	1		
3	16	257432-4	RETAINING RING R-35	1		
3	17	144312-2	RECEIVE WASHER COMPLETE	1		
3	18	252236-9	HEX. LOCK NUT M10-17	1		
3	19	183J06-4	SPIRAL BEVEL GEAR SET	1		INC. 12
3	20	922242-5	HEX. SOCKET HEAD BOLT M5X25	1		
3	21	922216-6	HEX. SOCKET HEAD BOLT M5X14	1		
3	22	251513-6	H.S.H.BOLT M5X25	2		
3	23	347107-4	PROTECTOR CLAMP 24	1		

Products with multiple versions are listed in subsiding order with the newest version on top not indented.

Section	Fig. No.	Part No.	Description	XUX01ZM5	Tech Bulletin	Notes
3	24	922216-6	HEX. SOCKET HEAD BOLT M5X14	1		
3	25	457273-0	PROTECTOR N 420-450	1		
3	26	457794-2	CUTTER EXTENSION	1		
3	27	347115-5	CUTTER	1		
3	28	266553-1	TAPPING SCREW 5X30	1		
3	29	814A82-0	DATE CODE LABEL	1		



EM405MP



Products with multiple versions are listed in subsiding order with the newest version on top not indented.

Section	Fig. No.	Part No.	Description	EM405MP	Tech Bulletin	Notes
1	1	819312-8	MAKITA LOGO LABEL	1		
1	2	813M13-8	CAUTION LABEL	1		
1	3	424434-7	CAP 24	1		
1	4	141010-9	SHAFT PIPE A COMPLETE	1		
1	5	961003-8	RETAINING RING S-7	1		
1	6	326088-5	SHAFT A	1		
1	7	123975-7	GEAR CASE ASSEMBLY US	1		INC. 8-11,13-19
1	8	210049-4	BALL BEARING 609ZZ	2		
1	9	257986-1	RETAINING RING (EXT) S-9	1		
1	10	257987-9	RETAINING RING (INT)R-24	1		
1	11	265590-2	+HEX.BOLT M8X10 WITH R	1		
1	12	232350-7	RING SPRING 6	1		
1	13	210030-5	BALL BEARING 627ZZ	1		
1	14	326853-2	CUTTER SHAFT	1		
1	15	211228-7	BALL BEARING 6202DDW	1		
1	16	257432-4	RETAINING RING R-35	1		
1	17	144312-2	RECEIVE WASHER COMPLETE	1		
1	18	252236-9	HEX. LOCK NUT M10-17	1		
1	19	183J06-4	SPIRAL BEVEL GEAR SET	1		INC. 12
1	20	922242-5	HEX. SOCKET HEAD BOLT M5X25	1		
1	21	922216-6	HEX. SOCKET HEAD BOLT M5X14	1		
1	22	251513-6	H.S.H.BOLT M5X25	2		
1	23	347107-4	PROTECTOR CLAMP 24	1		
1	24	922216-6	HEX. SOCKET HEAD BOLT M5X14	1		
1	25	457273-0	PROTECTOR N 420-450	1		
1	26	457794-2	CUTTER EXTENSION	1		
1	27	347115-5	CUTTER	1		
1	28	266553-1	TAPPING SCREW 5X30	1		
1	29	814A82-0	DATE CODE LABEL	1		
1	A01	782238-6	BOX WRENCH 17	1		