

# Single Handle Kitchen Faucet

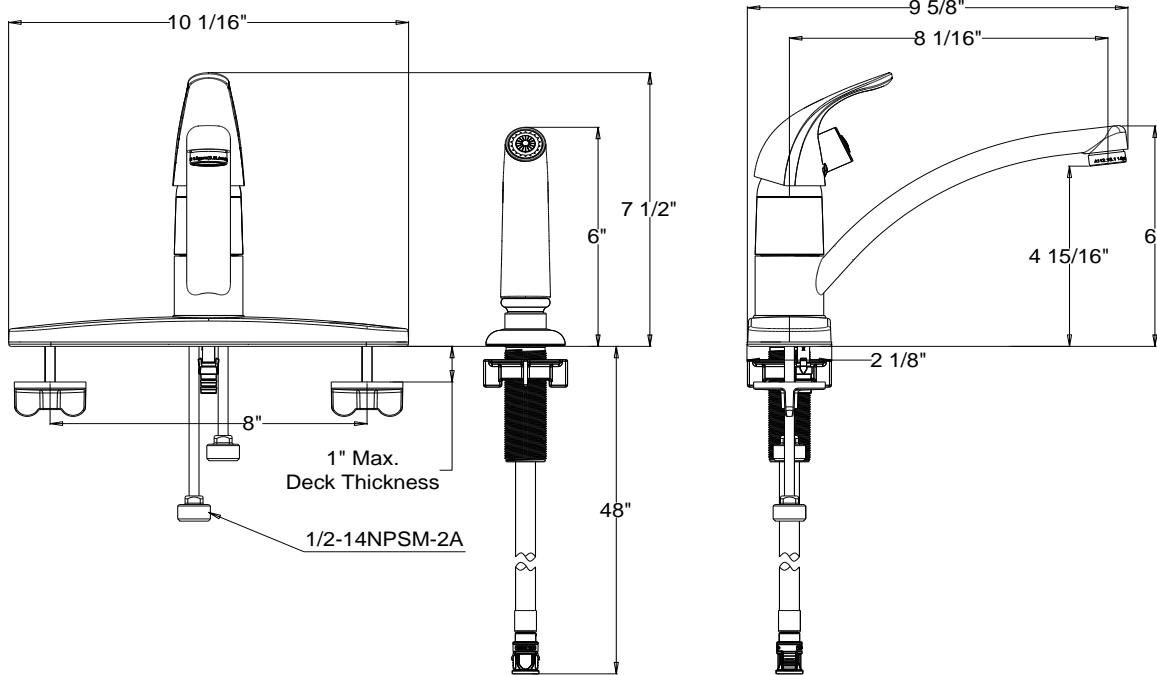


## Specifications

|                    |                        |
|--------------------|------------------------|
| Handle             | Zinc handle            |
| Spout              | Brass                  |
| Cartridge          | Ceramic disc Cartridge |
| Waterway           | Hybrid                 |
| Escutcheon         | Zinc                   |
| Max Waterflow      | 1.8GPM@ 60 PSI         |
| Spout Reach        | 8 1/16"                |
| Spout Height       | 6"                     |
| Mouting Holes      | 4                      |
| Max Deck Thickness | 1"                     |



## Dimensions



## Warranty & Compliances

|           |   |
|-----------|---|
| Warranty  | Lifetime Limited Warranty, Lifetime Limited Finish Warranty |
| IAPMO/UPC | CUPC compliant  |
| ASME      | ASME A112.18.1/ CSA B125.1                                  |
| NSF/ANSI  | NSF/ANSI 61   |
| Lead Free | Fed. Public Law 111-380 (1/2014)                            |
| ADA       | Compliant   |



## Order Codes & Finishes/Colors

|                     |        |
|---------------------|--------|
| Satin Nickel (US15) | 547299 |
| Polished Chrome     | 547281 |



Type:

Job:

Order Code:

Approvals:

Design House reserves the right to make changes in materials, specifications & models at any time. Design House also reserves the right to discontinue product without notice or obligation.