



THE HOME DEPOT

Inspection Requirement

2455 PACES FERRY ROAD
ATLANTA, GEORGIA 30339-4024

REPORT NO.: 85122610716V06

SKU #:	725505/USA	MODEL #:	33-CS-0	DEPT. #:	59	COE #:	1
SUPPLIER:	YERSH			SUPPLIER #:	12325		
FACTORY:	XIAMEN UPTRADE FURNISHING INDUSTRIAL CO., LTD.			FACTORY #:	2004423		
FACTORY ADDRESS:	NO.5-11, HUATAI ROAD, HULI DISTRICT, XIAMEN FUJIAN, CHINA						
PRODUCT DESCRIPTION:	MSL 2PC CONNECTOR SCREWS						



IMPORTANT: The product photos are not intended as the color reference.

This product requirement contains the following documents:

1. Product Requirements
2. Packaging Requirements
3. Product Documentation
4. Product Photos
5. Inspection Plan
6. Defect classification
7. Revision history

	Prepared by:	Phoebe Liu	Reviewed by:	Nancy Du	Approved by:		(Brian Tam)
	Date:	Dec 20, 2012	Date:	Dec 20, 2012	Date:	Dec 20, 2012	
	Control-Subcontrol Number:			8034.3442.4107.51740			

2 Product Requirements

1.1 GENERAL REQUIREMENT						
Item#	Item	Qty	Style / Feature / Finish / Color	Dimension / Measurement	Tolerance	Material
33-CS-0	MSL 2PC CONNECTOR SCREWS	2	Steel	Dimension: 0.19inLx2.16inWx0.19inH Weight: 0.01lbs	Dimension: (Tolerance: ±5%); Weight: (Tolerance: ±5%)	Steel
1.2 PRE-PURCHASE TESTING RESULT						
This product must achieve a rating of "Good" under The Home Depot's Pre-Purchase Testing Program or "unsatisfactory" but with THD'S PPT Waiver.		PPT REPORT NO: 85122610716		RATING: GOOD	REMARK: NA	
1.3 PERFORMANCE TESTS						
Test Property	Test Requirement			Comments		
NA	NA			NA		

----- End of This Section -----

2. Packaging Requirements

Label Location	Refer to Section 3
Sensormatic Tags	Reference code 1.4.3.1 & 1.4.3.2 in BV IR 600000
UPC/UCC on unit package I 2 of 5 number on master carton (if available)	Reference code 1.4.1.6 & 1.4.1.10 in BV IR 600000, the number should is:
	UPC/UCC number: 4713105460520
	I 2 of 5 number: 14713105460527
Country of Origin	Reference code 1.4.1.2 in IR 600000
	Country of Origin: CHINA
Importer name and address	Reference code 1.4.1.5 in IR 600000
	Importer name and address: Refer to IR600000-US
Bilingual requirement for caution and warning statements and any inserts or instruction manual	Reference code 1.4.1.7 in IR 600000
Safety listing Label	Reference code 1.4.1.6 in IR 600000 or Refer to section 3.1
Instruction Sheet	Clear assembly / operating instructions (as applicable) should be identical to those shown in Sec 3
Warranty Card	NA
Unit package	Reference code 1.4.in IR 600000
Unit package Size	(L) x (W) x (H)(in): 0.2x2.95x4.13
Method	2 pcs per bag, 12 bags per master carton.
SWPM (Solid wooden packing material) is used for product packing	No



Per ECN 15758, We'll move up the end of hook around 1.2 to decrease the peg hook angle, this can avoid product sliding to the back of the PDQ.
We'll shorten the PDQ length from 8-2/3 to 5-1/2 make sure customer can see the product easily.



ECN 17751, changed the rivet to the smoother one.
ECN 17746, Change the rivet to the smoother one.



Per ECN 15471, pack size change from 20 packs per case to 12 packs.



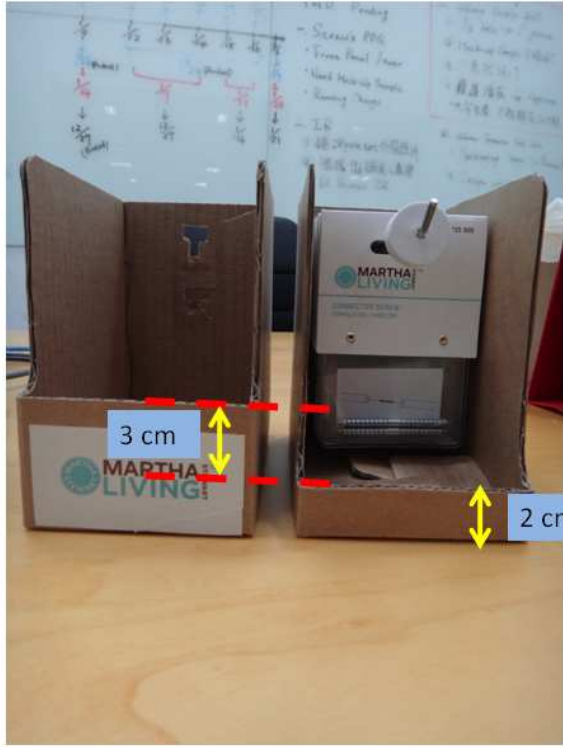
Per ECN 16006, Lower the front panel of PDQ.

Screw's PDQ

Original PDQ



Revised PDQ



- Front panel need to lower 3cm to show the screws, and the revised PDQ couldn't have enough space to stick label on front panel.

Packaging Specification			
SKU No.	725505	Model No.	33-CS-0
Piece count	2	Case count	12
Package component description:	Master Carton Single-Wall corrugated	PDQ Tray Single-Wall corrugated	Unit Packaging
Component Material:	corrugated	Corrugated	PVC Bag
Packaging component per SKU	2/12	2/12	/
Component dimension: (in, L x W x D)	4.13x6.10x5.91	5.43x3.54x5.51	0.2x2.95x4.13
Outer Shipping Case (Tick one per SKU)	<input checked="" type="checkbox"/> [X]	<input checked="" type="checkbox"/> [X]	<input type="checkbox"/> []
Outbound Load Configuration: (select one)	<input checked="" type="checkbox"/> [X] Floor stack <input type="checkbox"/> [] Pallet <input type="checkbox"/> [] Slip sheet <input type="checkbox"/> [] Crate <input type="checkbox"/> [] others, _____		
Gross weight of shipping carton: (lb, includes product)	0.66	Pallet or crate size: (inch, Length X Width, if applicable)	N/A

NOTES:

- Other than the specific Packaging Requirement above, for General Packaging Requirement please refer to IR600000).
- For any changes of marking, printing, parts and /or components, the vendor should inform The Home Depot. The changes of parts or components may require re-submitting for evaluation.
- Any changes of marking, printing, parts and /or components without informing The Home Depot would be counted as a violation of this Product Requirement.

----- End of This Section -----

3. Product Documentation

3.1 (Manuals, instruction sheets, parts list, labels, artwork, etc.)

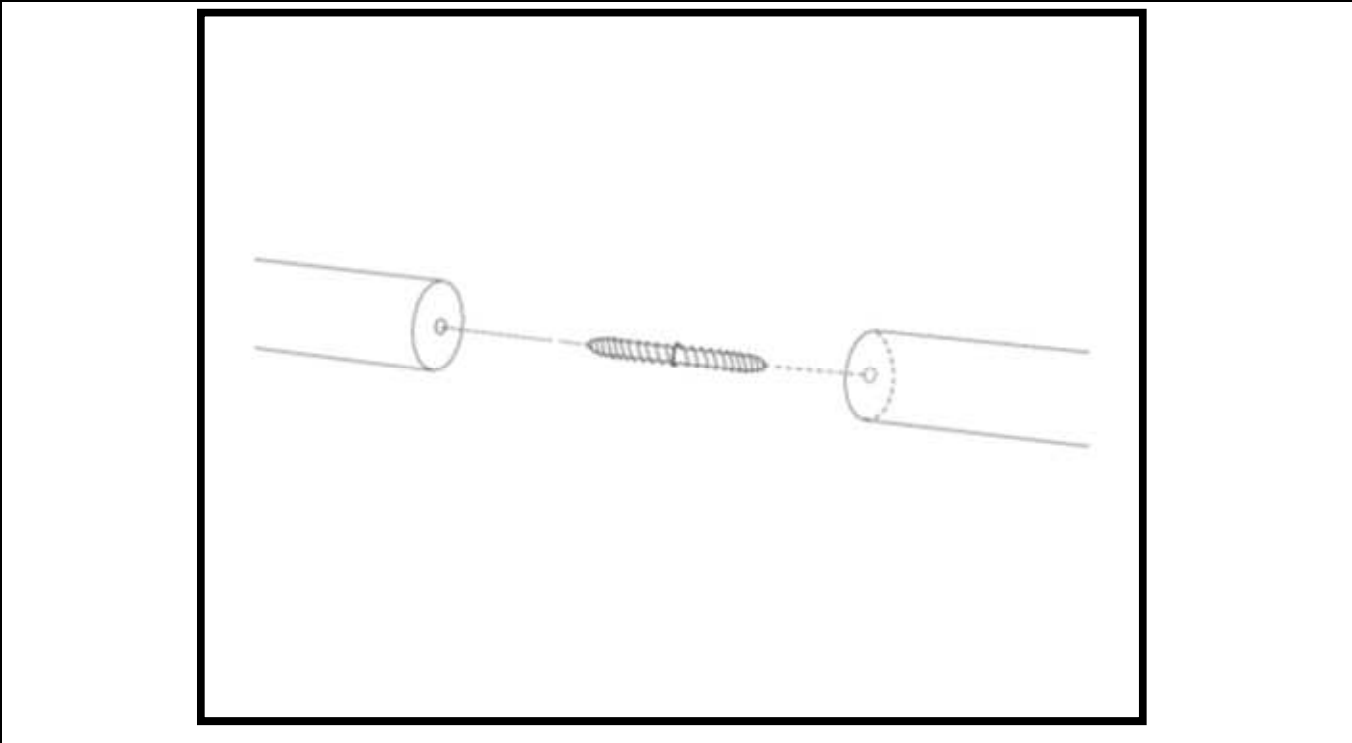
Artwork:



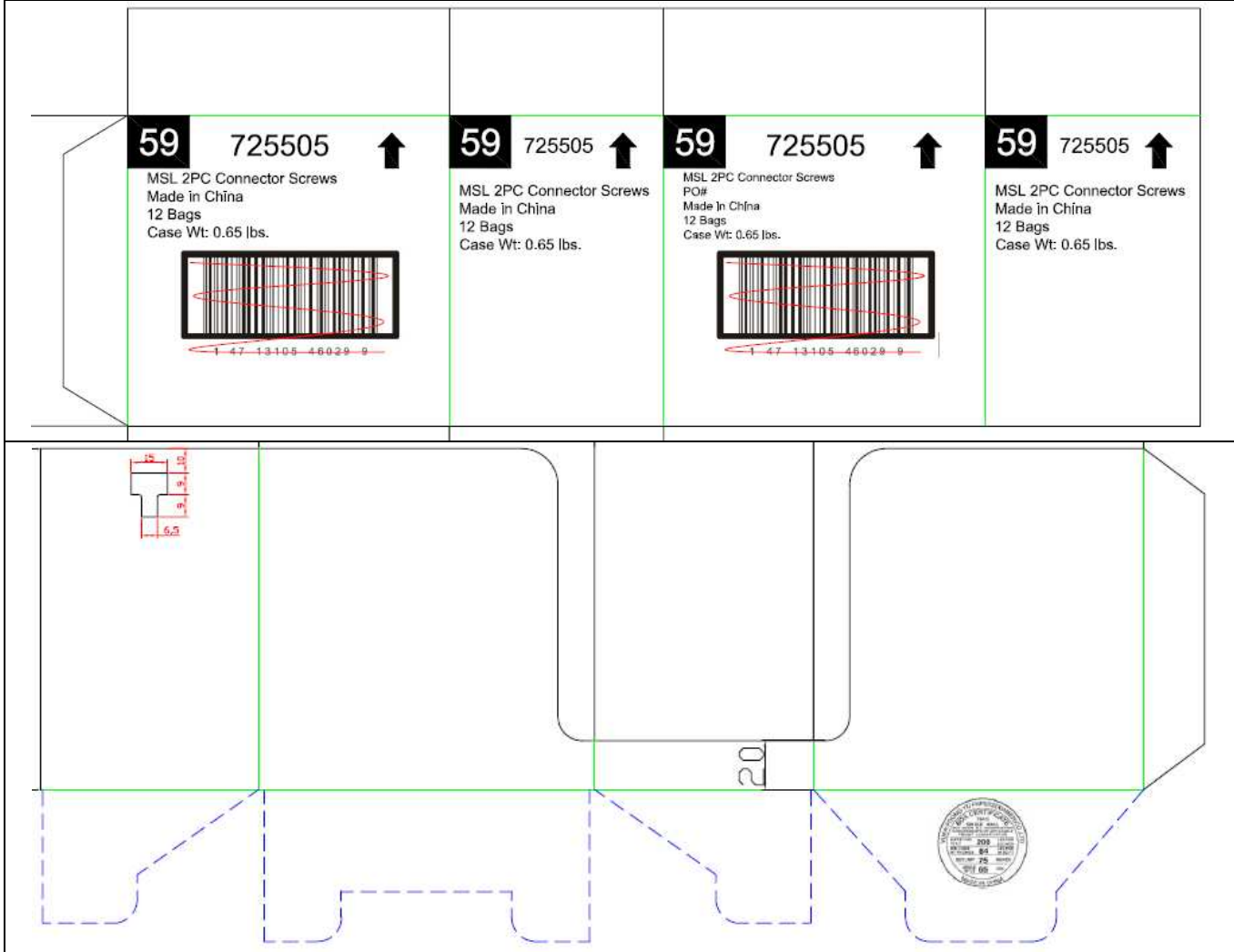
Details:



Illustration for Connector Screw





Shipping mark: Per ECN15720, Only print barcode on main mark.



----- End of This Section -----

4. Product Photos

1	Overall view	2	3	Product view
				No photo

IMPORTANT: The product photos are not intended as the color reference

----- End of This Section -----

5. Inspection Plan

5.1 General Inspection Requirement

➤ **Product:**

- ✧ Must be without any unsafe defect;
- ✧ Should be free of Cosmetic/Aesthetic defects such as: damaged/broken parts/pieces, scratches, cracks, etc.;
- ✧ Must conform to the country of destination's legal regulations;
- ✧ The unit should comply with client's requirement / approved sample (appearance and function);
- ✧ Marking(s) / label(s) on unit should be clear and should comply with legal requirements.

➤ **Packaging:**

- ✧ All units will be adequately packaged, and constructed from suitably robust materials, such that it arrives to stores in a sellable condition;
- ✧ The packaging material can protect the goods from damage during transportation;
- ✧ The shipping mark, bar code, label (such as price label), should conform to client's spec and/or approved samples;
- ✧ The packaging should comply to client's requirement / approved sample;
- ✧ Text of illustration, instruction, label and warning statement etc. must be clearly printed in user's language;
- ✧ The illustration, instruction and claim on the packaging artwork / labels must conform to the product appearance and its actual performance;
- ✧ The method and material of pallet / crate etc. should be approved by client.

➤ **Inspection Standard Adopted:**

- ✧ Refer to “THD Inspection Sampling Tool”

➤ **Sample Size determination:**

- ✧ The Inspection Level Shall refer to Most Updated Switching Rules of The Home Depot.
- ✧ Please Refer to table 5.3 to determine sample size for each audit area
- ✧ Please use “THD Inspection Sampling Tool” to generate the appropriate each SKU sample size for every PSI, which includes multiple SKUs combined in one PSI lot.
- ✧ For the inspection plan is Fix sample size, each SKU shall be drawn according to the required fix sample quantity which cannot be combined.

➤ **Acceptable Quality Level:**

- ✧ Critical Non-conformity is not allowed
- ✧ **AQL 1.0** (or special approved by THD) For Major Non-Conformity
- ✧ **AQL 4.0** (or special approved by THD) For Minor Non-Conformity

➤ **For checking item that adopt “Fix sample size”, nonconformity is not allowed.**

➤ **General defect classification:**

- ✧ **Critical Defect**
 - ◆ Defects that could result in hazardous or unsafe conditions for individuals using or maintaining the product as well as defects contravening legal regulations.
- ✧ **Major Defect**
 - ◆ Functional defects reducing the usability or solidity of the product as well as obvious visual defects reducing the sales value of the product.
- ✧ **Minor Defect**
 - ◆ Defects that are unlikely to reduce the use of the product, but nevertheless may influence the sale.

➤ **For random inspection, the following rules are applied:**

- ✧ If the same sample has several defects, only the most serious defect is counted.
- ✧ Samples with defect have to be replaced or repaired; In the case of critical defects, the entire shipment must be rejected.

5.2 Equipment List

SP Equipment	Factory Equipment
1. Metal tape 2. Bar code reader	1. Weight scale

5.3 Inspection Checklist

Item code	Details	Sampling size
1	Packaging Check	
A	Appearance of master carton	At least the square root of the total number of shipping package units, or otherwise defined by client, And check all cartons/ pallets/crates that were selected for sampling.
B	Shipping mark	
C	Strapping method of master carton	
D	Pack size	
2	Aesthetics / Appearance Check	
A	Instruction (sheet)/warning/warranty	Inspection Level ###
B	Appearance of unit	
C	Accessories	
D	Unit packaging	
3	Bar Code Verification	Inspection Level ###
4	Data Measurement and Test	
A	Size and weight of unit	S-1 per shipment lot, but at least 2 pcs per SKU if quantity of related SKU exceeds sample size according to S-1.

Note: ### - Shall Refer to Most Updated Switching Rules of The Home Depot.

----- End of This Section -----

6. Defect Classification

Item code	Details	Defective Classification		
		Critical	Major	Minor
1	Packaging Check			
A	Appearance of master carton			
	• Damaged / deteriorative/wet		✓	
	• Open end is not sealed securely		✓	
	• Wrong flute direction of carton		✓	
B	Shipping mark			
	• For carton, shipping label and/or pallet/crate, shipping label less than requirement		✓	
	• Wrongly in content and format		✓	
C	Strapping method of master carton			
	• Wrong strapping method was used		✓	
D	Pack size			
	• The actual quantity does not match requirement of package		✓	
2	Aesthetics / Appearance Check			
A	Instruction (sheet)/warning/warranty			
	• Dirt / scratch / unclear / illegible / wrong / damaged / wrinkled/peeled/detached/smeared/displaced, will cause unsaleable, misunderstanding of reader, information missing etc.)		✓	
	• Dirt / scratch / unclear / illegible / wrong / damaged / wrinkled/peeled/detached/smeared/displaced, will not affect sales, although illegible but will not cause information incompleteness etc.)			✓
	• Misleading/incorrect descriptions/claims		✓	
	• Wrong label / Instruction used		✓	
	• Missing instruction/warning/warranty/label/marketing sheet (will cause safety issue)	✓		
	• Missing instruction/warning/warranty sheet/label/marketing (will not cause safety issue)		✓	
B	Appearance of unit			
	• Non functional sharp point and sharp edge (May injure customer)	✓		
	• Live insect/infestation	✓		
	• Knives, blades, needles and similar sharp foreign object contamination	✓		
	• Excessive/unpleasant odour		✓	
	• Wrong color or style or type		✓	
	• Poor coating obviously		✓	
	• Poor coating slightly			✓
	• Loose/poor connection between hook and frame		✓	

Item code	Details	Defective Classification		
		Critical	Major	Minor
	• Deformed, damaged, broken, cracked, rusty mark, dead knot		✓	
	• Obvious scratched, dirty mark, chipped, glue mark		✓	
	• Slight scratched, dirty mark, chipped, glue mark			✓
	• Rough on surface		✓	
	• Missing piece per set		✓	
	• Rusted / Oxidation / corrosion on metal parts		✓	
	• Screw / hooks loosen and causing some parts loosed		✓	
	• Incorrect plating on metal part		✓	
	• Any missing parts or wrong type parts		✓	
	• Detached/ missing components		✓	
	• Detached/ missing components		✓	
	• Hard to adjust length		✓	
C	Accessories			
	• Missing or incorrect accessories		✓	
	• Mismatched accessory		✓	
D	Unit packaging			
	• Dirt / dust /scratches / damage / deformation on labeling or packaging material that will affect selling		✓	
	• Dirt / dust /scratches / damage / deformation on labeling or packaging material that will not affect selling			✓
	• Insufficient protection to product that will cause product damage.		✓	
	• Missing “Country of origin” or “Distributor or importer’s name and post address” marking or label (single unit)		✓	
	• Missing “Country of origin” or “Distributor or importer’s name and post address” marking or label (whole lot of certain SKU)	Fail the shipment		
	• Wrong size/style/color assortment within one retail unit		✓	
3	Bar Code Verification			
	• Bar code can not be scanned		✓	
	• Bar code label is damaged but still can be scanned			✓
	• Two bar code labels at same panel of selling package and may lead to wrong payment by double scanning.		✓	
	• Wrong bar code label is used (single unit)		✓	
	• Wrong bar code label is used (whole lot of certain SKU)	Fail the shipment		
	• Bar code No. on unit does not match PO list		✓	
4	Data Measurement and Test			
A	Size and weight of unit			
	• Measured data is out of tolerance		✓	

Note 1: The above described defects are those most commonly found, but not necessarily cover all possible defects.

Form Owner: THD QA - Issue Date: 6/23/08 - Version #: 4

Proprietary & Confidential

The Home Depot Company Information

And the defective classification is for reference only. The final decision of the defective classification would be decided by the inspector.

Note 2: The checking and defect finding evaluation should be conducted at a distance around 76 cm (when an adult extends his hand forward, normally it is distance from eye to tip of middle finger), the time duration for one position is around 3-5 seconds.

----- End of This Section -----

