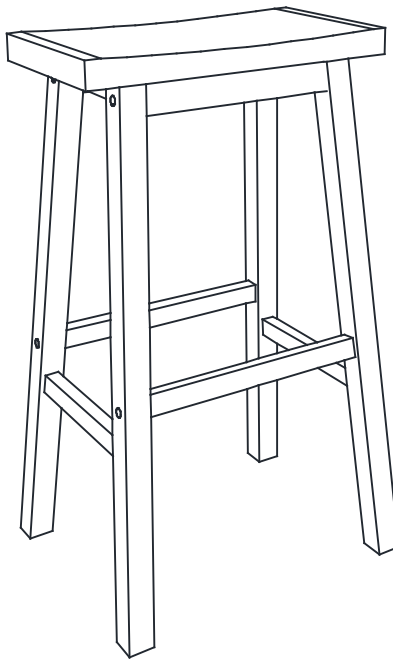


USE AND CARE GUIDE

29-IN BAR STOOL (SET OF 2)



Questions, problems, missing parts?
Before returning to the store, call Customer Service.
8 a.m. – 7 p.m., EST, Monday – Friday, 9 a.m. – 6 p.m., EST, Saturday

1-877-527-0313

HOMEDEPOT.COM

THANK YOU

We appreciate the trust and confidence you have placed in StyleWell through the purchase of this 29-IN BAR STOOL (Set of 2). We strive to continually create quality products designed to enhance your home. Visit us online to see our full line of products available for your home improvement needs. Thank you for choosing StyleWell!

Table of Contents

Table of Contents	2	Hardware Included.....	3
Safety Information	2	Package Contents.....	3
Warranty	2	Assembly	4
What is Covered	2	Assembly (continued)	5
What is Not Covered.....	2	Maintenance	6
Pre-assembly	3	Care and Cleaning	6
Planning Assembly	3	Troubleshooting	6
Tools Required.....	Error! Bookmark not defined.		

Safety Information



DANGER

- Keep small parts away from children during assembly.
- Read and follow instructions carefully.



WARNING

- Read these instructions carefully and keep in a safe place.
- TO GUARANTEE THE SAFE USE OF THIS PRODUCT, FOLLOW THE WARNINGS, GUIDELINES AND RECOMMENDATIONS IN THIS MANUAL.
- Adult assembly required.
- Small parts may present choking hazard prior to assembly.
- Do not stand, step or climb on unit.



CAUTION

- Do not use power tools to assemble your furniture. Power tools may strip or damage parts/product.
- Do not overtighten connectors (screws, bolts, etc.). Overtightening can lead to product damage.
- Be sure to check all packing materials carefully for small parts that may have come loose inside the carton during shipment. If parts are missing, contact THE HOME DEPOT to obtain any missing parts.
- DO NOT USE SUBSTITUTE PARTS.
- This product should only be used on a flat, level surface.
- Product is designed to hold **225 lbs.** Exceeding this limit may damage the product or cause injury to the user.
- To avoid scratches on the wood, it is recommended that assembly of the product should be done on a smooth surface.

Warranty

1 YEAR WARRANTY

WHAT IS COVERED

We guarantee this product to be free of manufacturing defects to the original purchaser for one year.

WHAT IS NOT COVERED

This warranty does not cover commercial use, acts of nature, and abusive use.

Pre-assembly

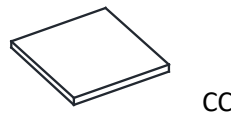
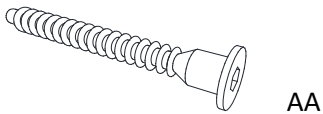
PLANNING ASSEMBLY

- ❑ Read each section carefully before starting. It is very important that each step is performed in the correct order. If these steps are not followed in sequence, assembly difficulties might occur.
- ❑ Make sure all parts are included. Most board parts are labeled and stamped on the raw edge.
- ❑ Spacious area, preferably on a carpet, near the place the unit will be located.
- ❑ Do not use power tools to assemble your furniture. Power tools may strip or damage the parts.

HARDWARE INCLUDED

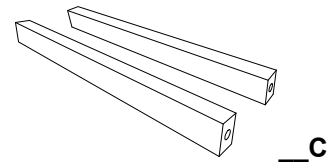
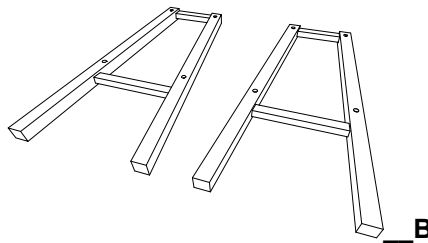
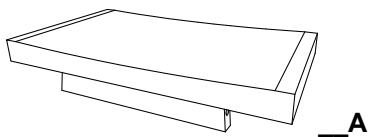


NOTE: Hardware not shown to actual size.



Part	Description	Quantity
AA	Connecting Screw	8
BB	Wood Plug	8
CC	Felt	5 (1 extra)
DD	Allen Key	1

PACKAGE CONTENTS



Part	Part Description	Quantity
A	Seat	1
B	Side Panel	2
C	Stretcher	2

Assembly

1 Assembling a side panel to the seat

- Attach the side panel (B) to the seat (A) by using the connecting screw (AA) as diagram 1



NOTE: Be careful to attach the side panel in a right order as diagram 1.1

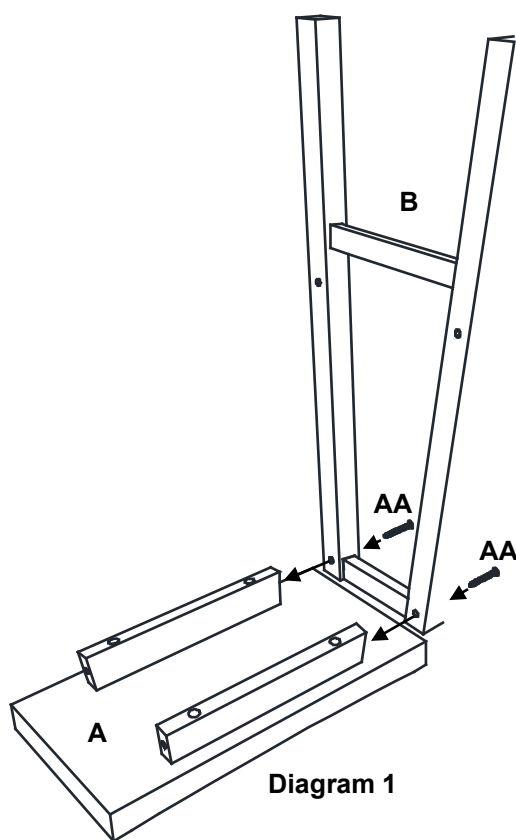


Diagram 1

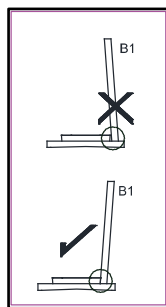
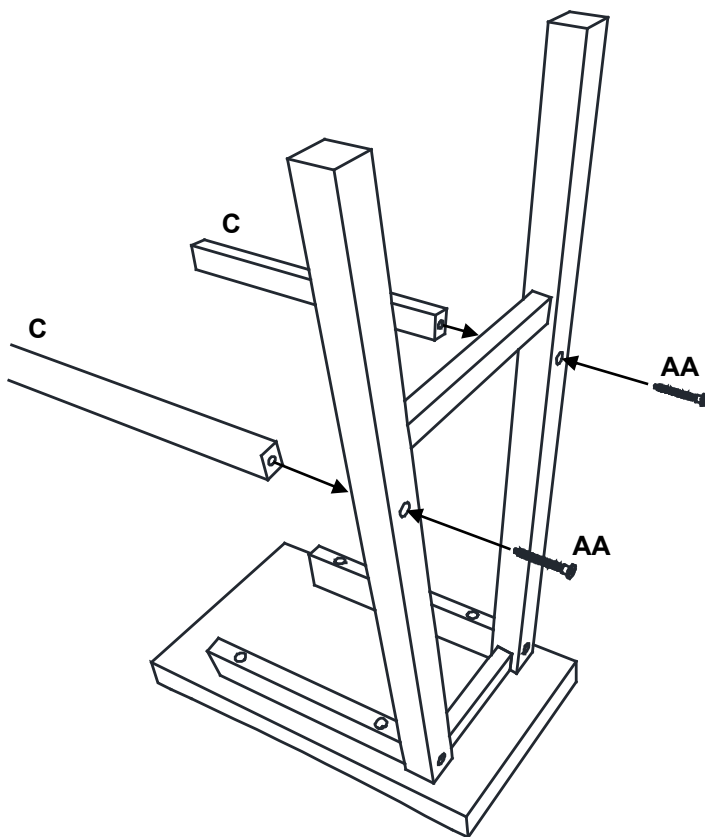


Diagram 1.1

2 Assembling stretchers to the legs

- Attach the stretchers (C) to a pre-drilled hole by using the connecting screw (AA) as diagram 2



Assembly (continue)

3 Assembling another side of the side panel to the seat.

- Attach another side panel (B) to the assembled seat by using the connecting screw (AA) as diagram 3.



NOTE: Be careful to attach the side panel in a right order as diagram 3.1.

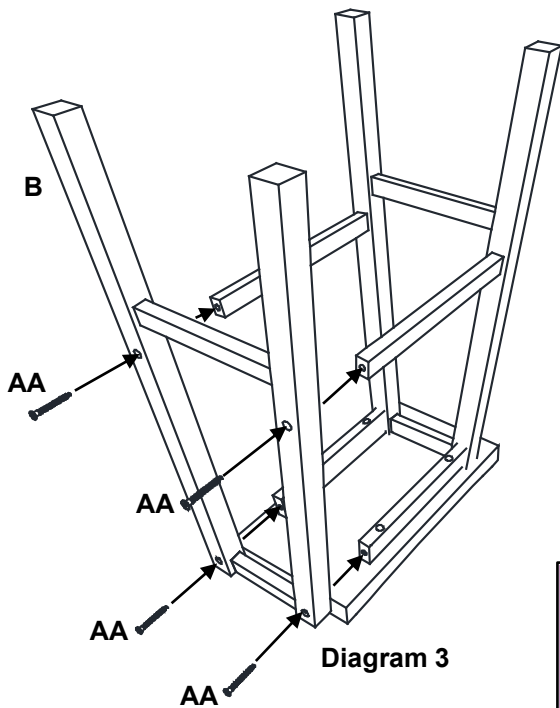


Diagram 3

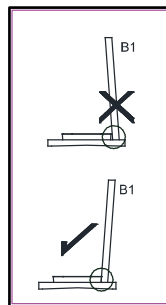


Diagram 3.1

4 Assembling stretchers to the legs

- Cover the hardware holes with wood plug (BB) and place the felt (CC) under the legs for anti-scratching as diagram 4.
- Turn the product to upright position as diagram 4.1.

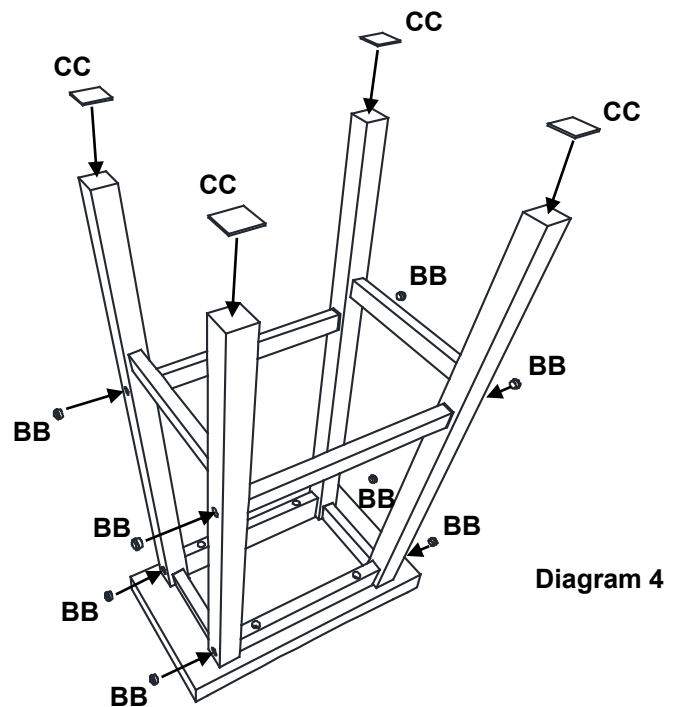
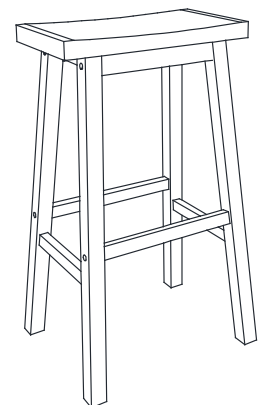


Diagram 4

Diagram 4.1

Finished Product



Maintenance

- Periodic check should be made of all bolts and screws, which would be tightened if needed.

Care and Cleaning

- Sharp clothing articles like belt buckles and zippers will damage your stool if they rub against it. Be particularly careful when you are close to the stool to avoid damaging your furniture.
- Avoid placing the stool directly under windows, in direct sunlight or in a damp area.
- Position your stool away from heating or air conditioning vents.
- Use either a humidifier or de-humidifier as needed to keep the air in the room from becoming too dry or too damp.
- Dust your stool frequently using a soft cloth to keep the buildup of dirt to a minimum and help prevent scratches and ground-in rime.
- Only polish your stool every 4-6 months and be sure to use polish that does not include silicone or wax that can damage the stool finish.
- Do not place hot or extremely cold items directly onto the stool surface as this can discolor the finish.
- When cleaning your stool, please use a non-toxic, non-abrasive cleaner. Mix a solution of water with a small amount of mild dishwashing liquid. Apply to the stool surface with a soft, damp cloth lightly dampened in solution. After cleaning, dry completely with a soft, dry cloth.

Troubleshooting

The last connecting bolt cannot screw easily	Go back and tighten the last
--	------------------------------

StyleWell.TM

Questions, problems, missing parts?
Before returning to the store, call Customer Service
8 a.m. – 7 p.m., EST, Monday – Friday, 9 a.m. – 6 p.m., EST, Saturday

1-877-527-0313

HOMEDEPOT.COM

Retain this manual for future use.