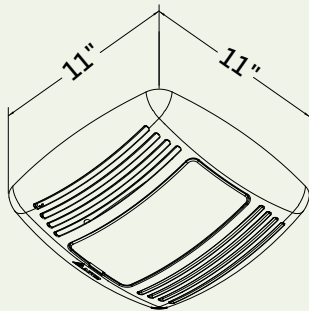
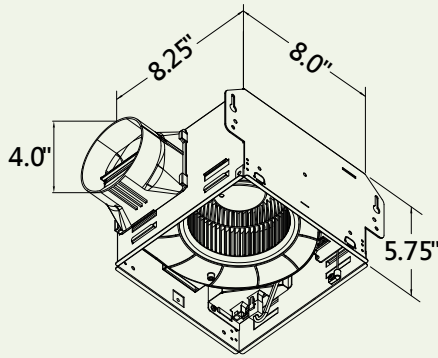




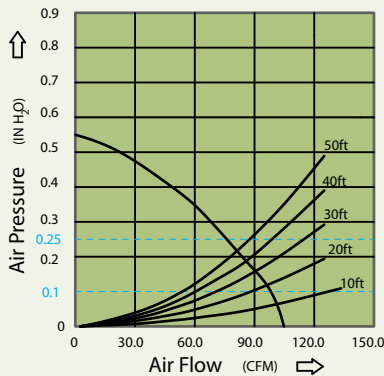
Delta BreezGreenBuilder Ventilation Fan / Light Combo Specifications

GBR100L
(100 CFM)

Dimensions



Fan Curve



Description

Low noise ceiling mount ventilating fan rated for continuous running. Fan has been awarded ENERGY STAR® Most Efficient in 2013. It is HVI, UL, and cUL certified, and can be used to comply with ASHRAE 62.2 (intermittent operation), CA Title 24, and CALGreen requirements.

Motor/Blower

- Power rating of 120volts/60Hz
- DC brushless motor engineered to run continuously
- Motor equipped with thermal cutoff fuse
- Permanently lubricated motor

Housing

- Galvanized steel body
- Detachable 4" diameter duct adapter
- Built-in backdraft damper
- Easy installation

Grille

- Attractive design using ABS material
- Attaches directly to housing with included grille bracket

Light

- 26-Watt GU24 CFL

LED Indicator

- Turn the power switch on/off to operate on/off. LED indicator will be green when power is on

Warranty

- 3-year limited warranty

Features

- For ceiling mount only, air flow of 100 CFM ($\pm 10\%$) and 1.4 sones at 0.1" static pressure
- Power consumption approximately 13.9 Watts with an efficiency rating approximately 7.1 CFM/Watt at 0.1" static pressure
- UL and cUL listed for tub/shower enclosure when used with GFCI-protected branch circuit wiring

DC Motor Technology

- Built-in soft start function to increase bearings' life
- Automatically powers off when the impeller is locked abnormally

Specifications

GBR100L	4" Duct (Standard)	
Static Pressure (Inches w.g.)	0.1	0.25
Air Flow (CFM)	100	76
Sones	1.4	1.3
Power Consumption (Watts)	13.9	11.9
Energy Efficiency (CFM/Watt)	7.1	6.3
Current (Amps)	0.23 Max	
Power Rating (V/Hz)	120 / 60	
Lamp (Watts)	26	