

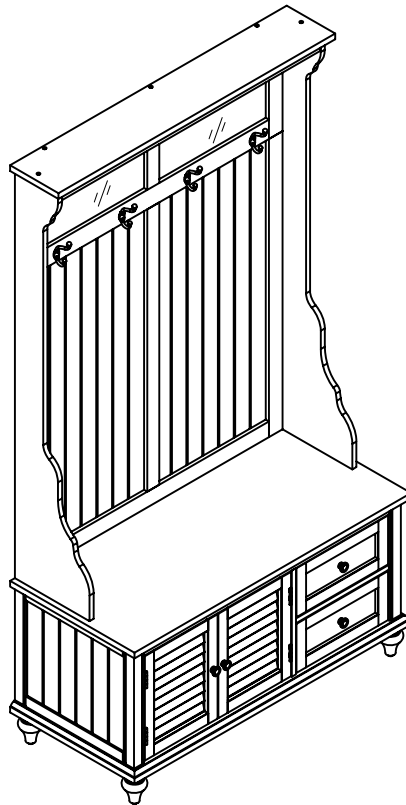
HOME DECORATORS COLLECTION

SK18540 HAMILTON HALL TREE 72"Hx40"Wx18"D

INV#92003

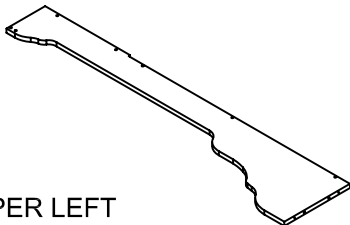
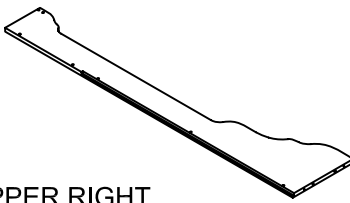
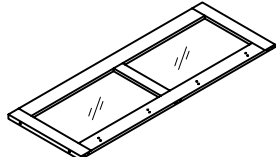
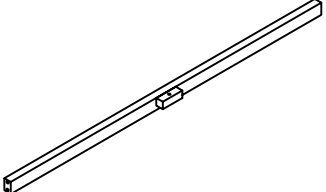
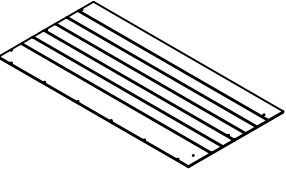
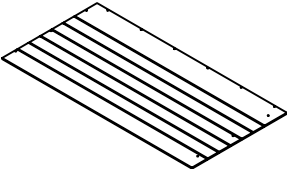
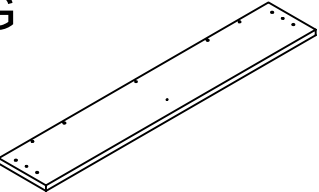
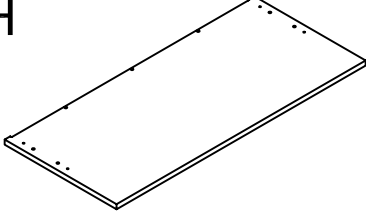
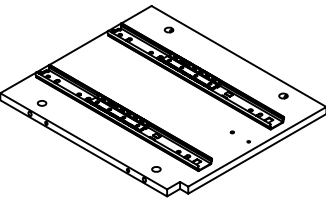
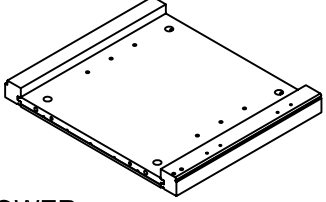
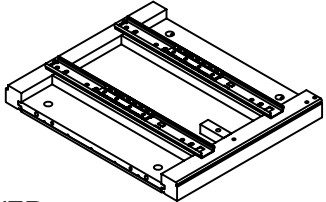
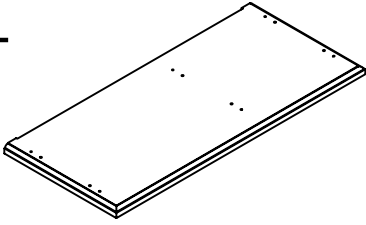
ASSEMBLY INSTRUCTIONS

Made In China

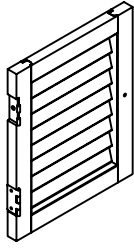


Thank you for purchasing this quality product. Be sure to check all packing material carefully for small parts, which may have come loose inside the carton during shipment. Count all parts and material hardware, then compare with parts list to be sure all parts are present, If any parts are missing or damaged, phone, fax, or mail to our Customer service Department for efficient and speedy service. Please indicate the model number and code letter of part(s) needed.

IMPORTANT NOTE: Follow instructions listed below in proper sequence as numbered to assure fast,easy and correct assembly.

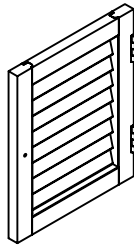
| PARTS LIST | | |
|---|---|---|
| A  | B  | C  |
| UPPER LEFT SIDE PANEL-1PC | UPPER RIGHT SIDE PANEL-1PC | TOP MIRROR FRAME-1PC |
| D  | E  | F  |
| FRONT TOP CROSS BAR-1PC | UPPER LEFT SIDE BACK PANEL-1PC | UPPER RIGHT SIDE BACK PANEL-1PC |
| G  | H  | I  |
| TOP PANEL-1PC | FIXED PANEL-1PC | LOWER PARTITION-1PC |
| J  | K  | L  |
| LOWER LEFT SIDE PANEL-1PC | LOWER RIGHT SIDE PANEL-1PC | BOTTOM PANEL-1PC |

M



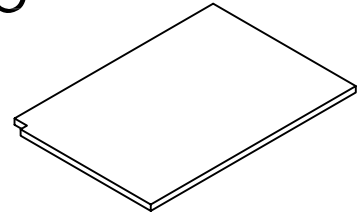
LEFT DOOR-1PC

N



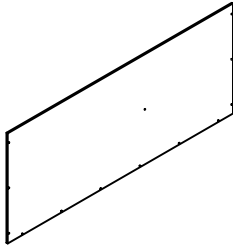
RIGHT DOOR-1PC

O



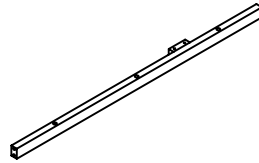
ADJUSTABLE SHELF-1PC

P



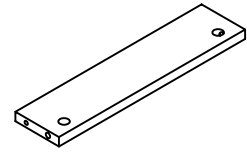
LOWER BACK PANEL-1PC

Q



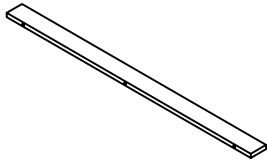
FRONT
BOTTOM CROSS BAR-1PC

R



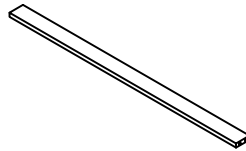
SHORT CROSS BAR-1PC

S



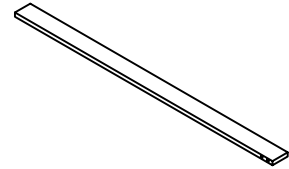
BACK LEFT
SUPPORT SLAT-1PC

T



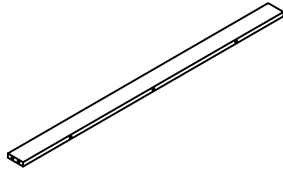
BACK MIDDLE
SUPPORT SLAT-1PC

U



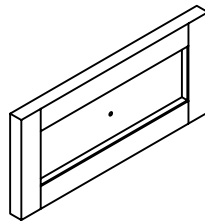
BACK RIGHT
SUPPORT SLAT-1PC

V



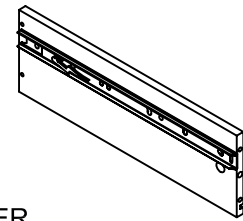
BACK BOTTOM
SUPPORT SLAT-1PC

W



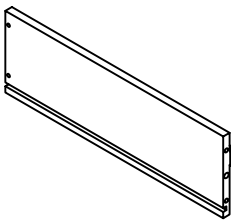
DRAWER
FRONT PANEL-2PCS

X



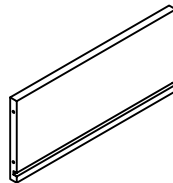
DRAWER
LEFT SIDE PANEL-2PCS

Y



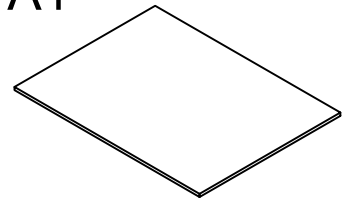
DRAWER
RIGHT SIDE PANEL-2PCS

Z



DRAWER
BACK PANEL-2PCS

A1



DRAWER
BOTTOM PANEL-2PCS


B1



BALL FOOT-5PCS

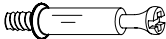
NOTE:THE SURFACE WITH THE STICKER IS THE BACK SIDE

a




WOOD DOWEL-65PCS

b



CAM LOCK BOLT-18PCS

c



CAM LOCK-18PCS

d




5/8"L ROUND HEAD SCREW-51PCS

e




SHORT PLASTIC COVER-4PCS

f




KNOB-4PCS

g



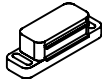
LONG KNOB BOLT-2PCS

h




1-1/4" FLAT HEAD SCREW-9PCS

i



MAGNET-1PC

j




SHELF PIN-4PCS

k



LONG PLASTIC COVER-4PCS

l




HOOK-4PCS

m




1/2"L FLAT HEAD SCREW-16PCS

n




METAL PLATE-12PCS

o



1" FLAT HEAD SCREW-12PCS

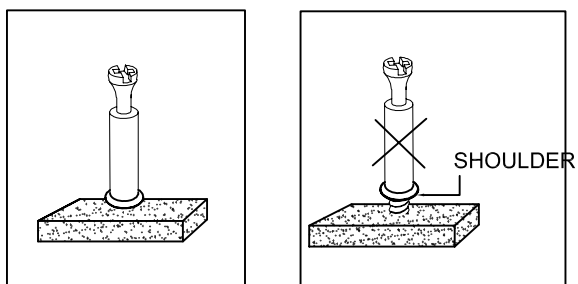
p



SHORT KNOB BOLT-2PCS

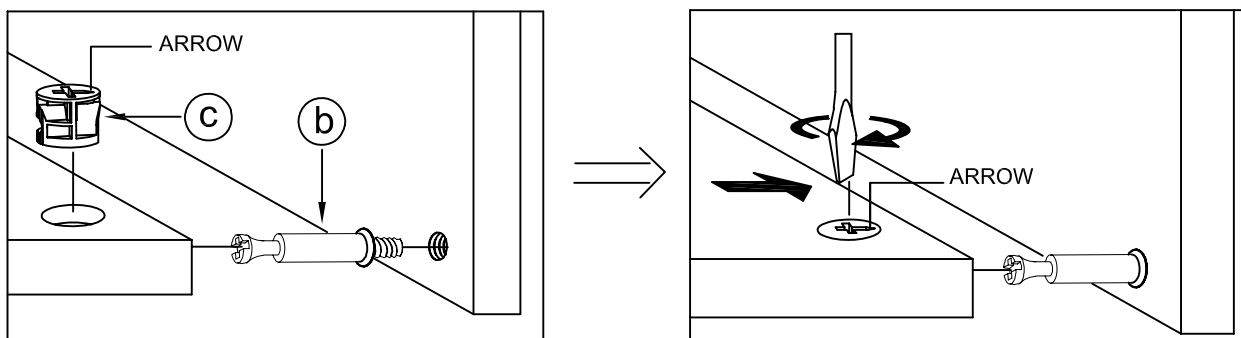
NOTE:THE SURFACE WITH THE STICKER IS THE BACK SIDE

NOTE: • UPON OPENING, THOROUGHLY CLEAN ALL WOOD SURFACES TO REMOVE DUST AND DIRT THAT MAY HAVE SETTLED ONTO FINISH DURING SHIPMENT. IN ORDER TO PREVENT DAMAGE DURING ASSEMBLY. PLEASE ASSEMBLE THIS ITEM WITH AT LEAST TWO PEOPLE.



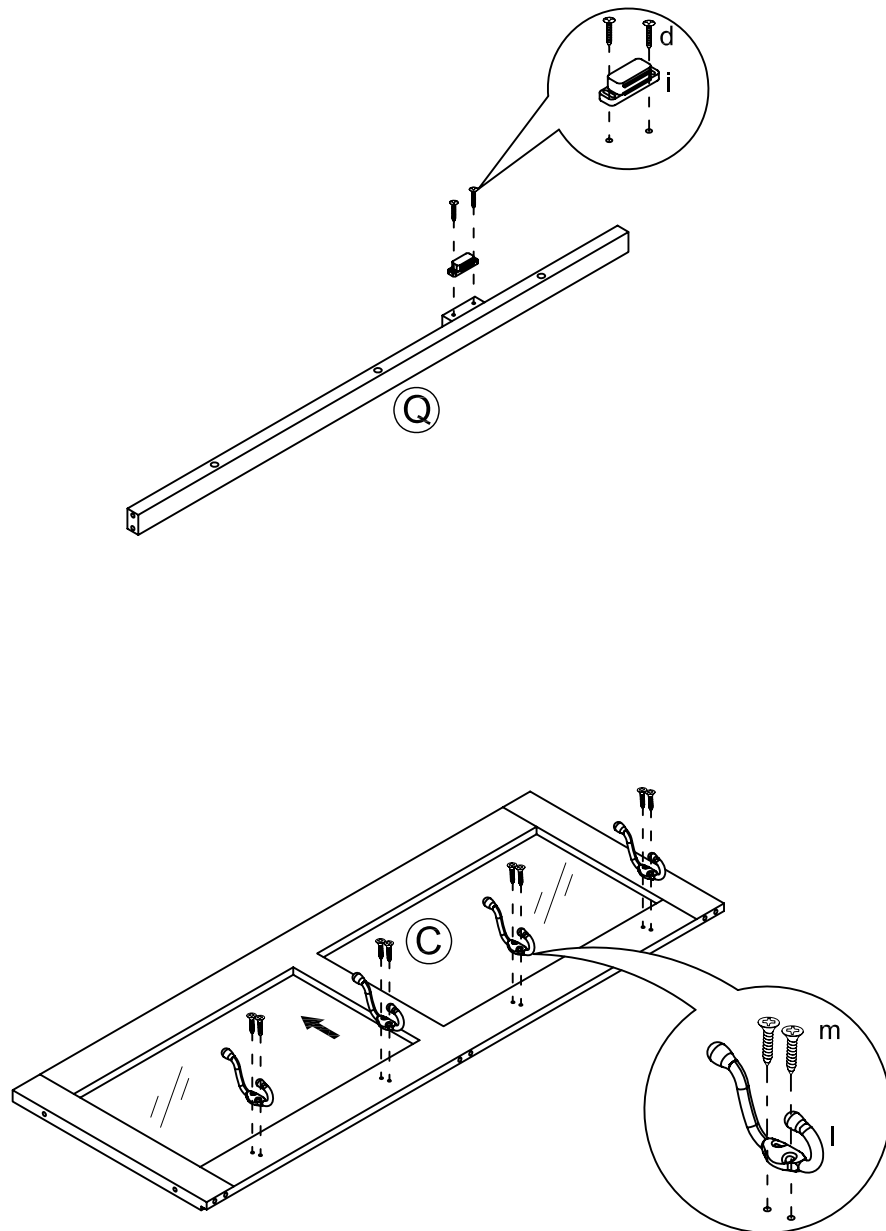
NOTE: TURN THE CAM-BOLT SCREWS UNTIL THEY ARE TIGHT, THE SHOULDER SHOULD BE AGAINST THE SURFACE OF THE PART.

HOW TO USE THE CAM-TOOL



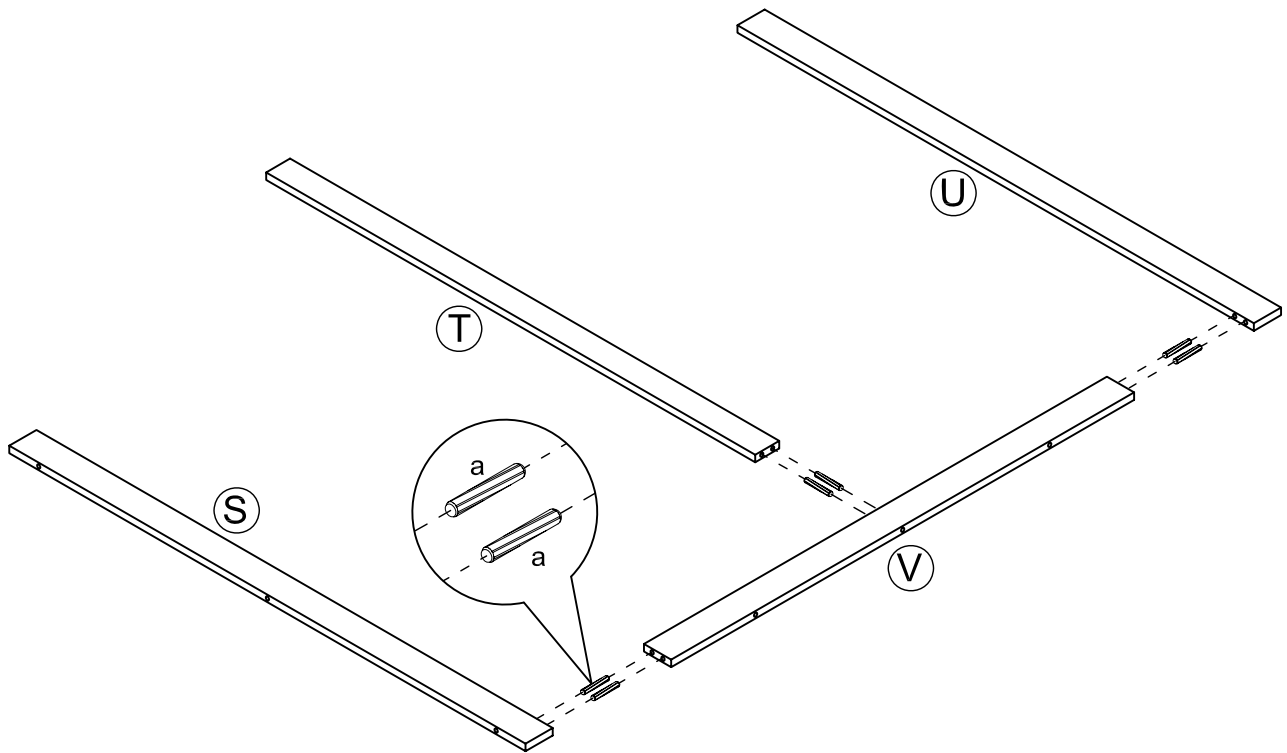
NOTE: • THE ARROWS ON THE HIDDEN CAM-LOCKS SHOULD POINT TO THE CAM-BOLTS

FIG 1



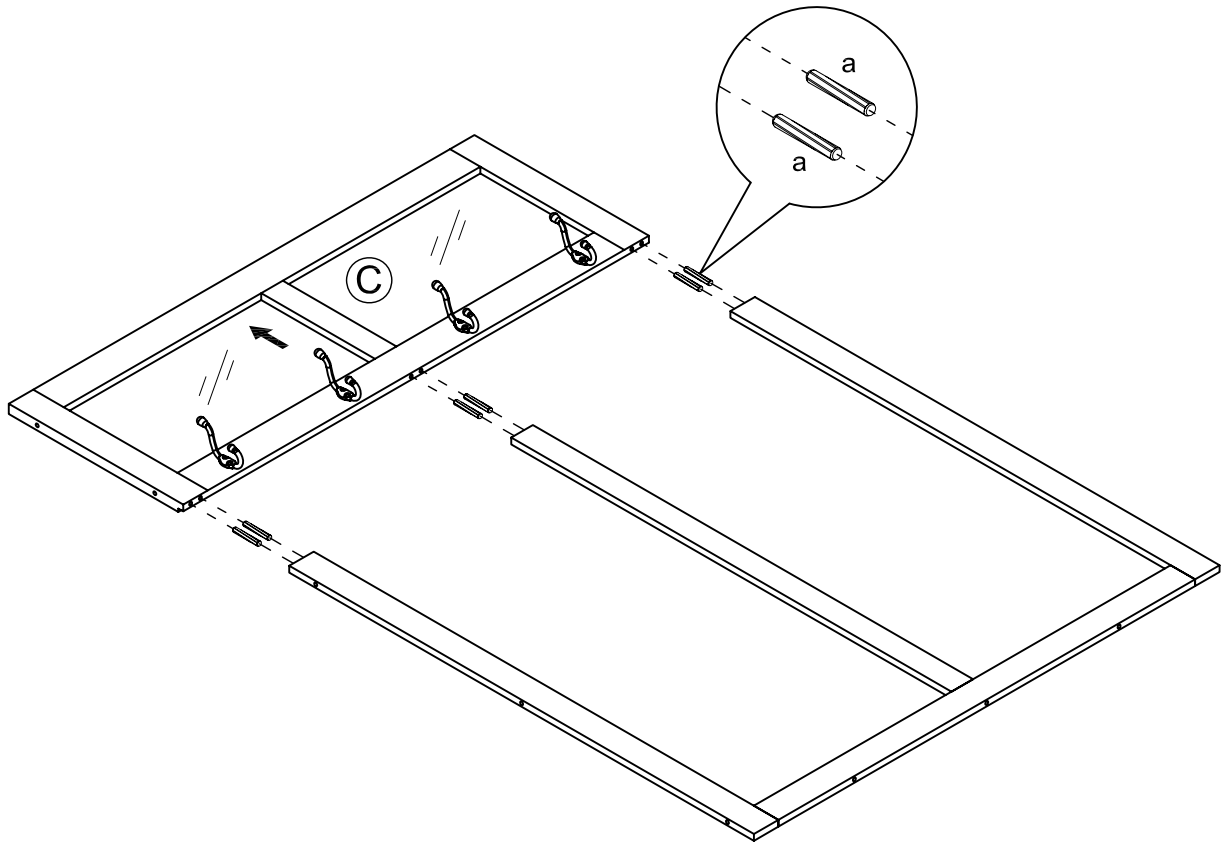
- ATTACH MAGNET (i) ONTO THE FRONT BOTTOM CROSS BAR (Q) BY USING 5/8" L ROUND HEAD SCREW (d) THROUGH PRE-DRILLED HOLES.
- ASSEMBLE THE HOOK (l) ONTO THE TOP MIRROR FRAME (C) BY USING THE 1/2" FLAT HEAD SCREW (m) THROUGH PRE-DRILLED HOLES.

FIG 2



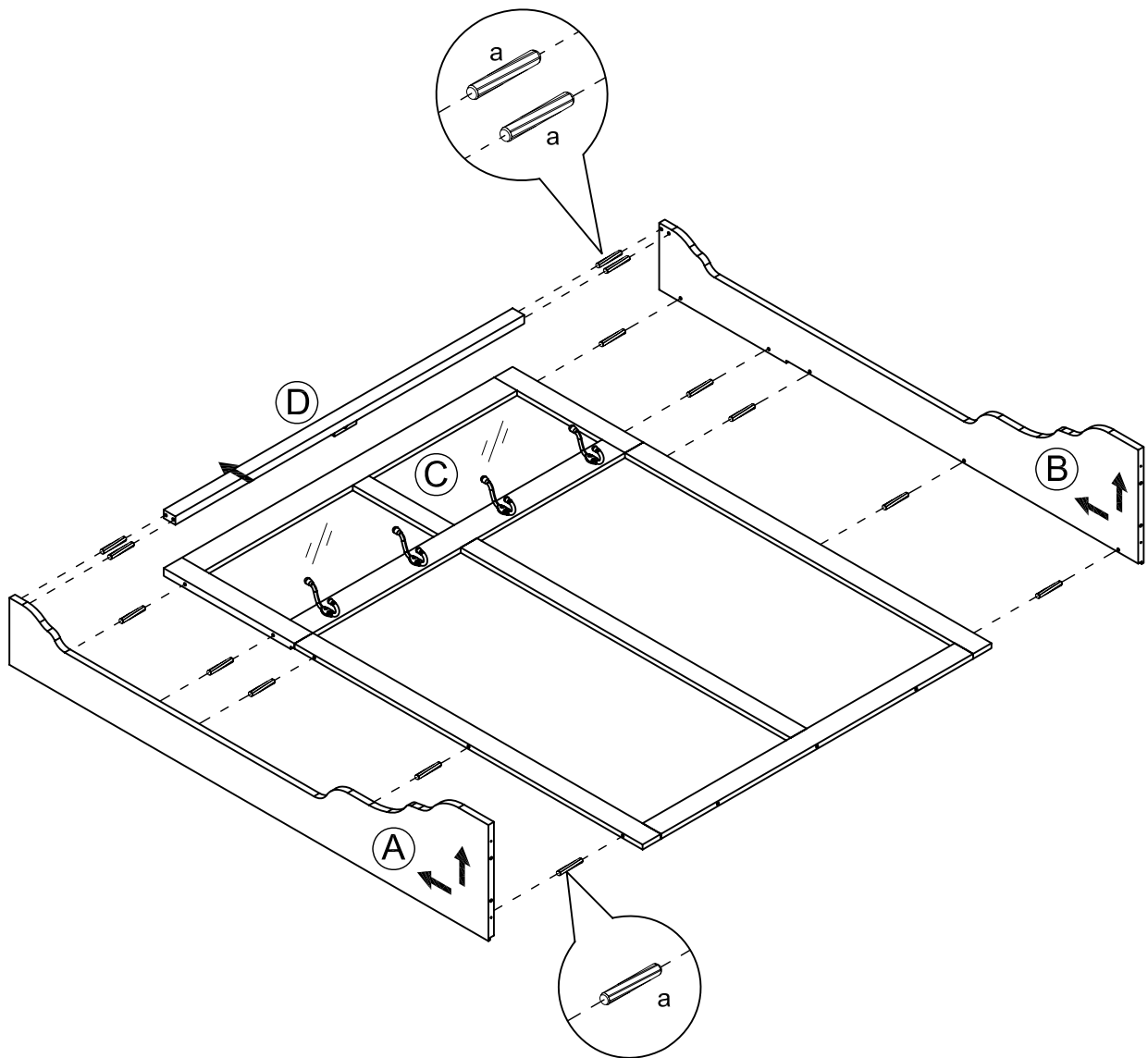
- INSTALL THE WOOD DOWEL (a) INTO THE BACK LEFT SUPPORT SLAT (S) AND THE BACK RIGHT SUPPORT SLAT (U) AND THE BACK MIDDLE SUPPORT SLAT (T).
- JOIN THE BACK SUPPORT SLATS (S) ,(U) AND (T) TO THE BACK BOTTOM SUPPORT SLAT (V) BY USING THE INSTALLED WOOD DOWEL (a).

FIG 3



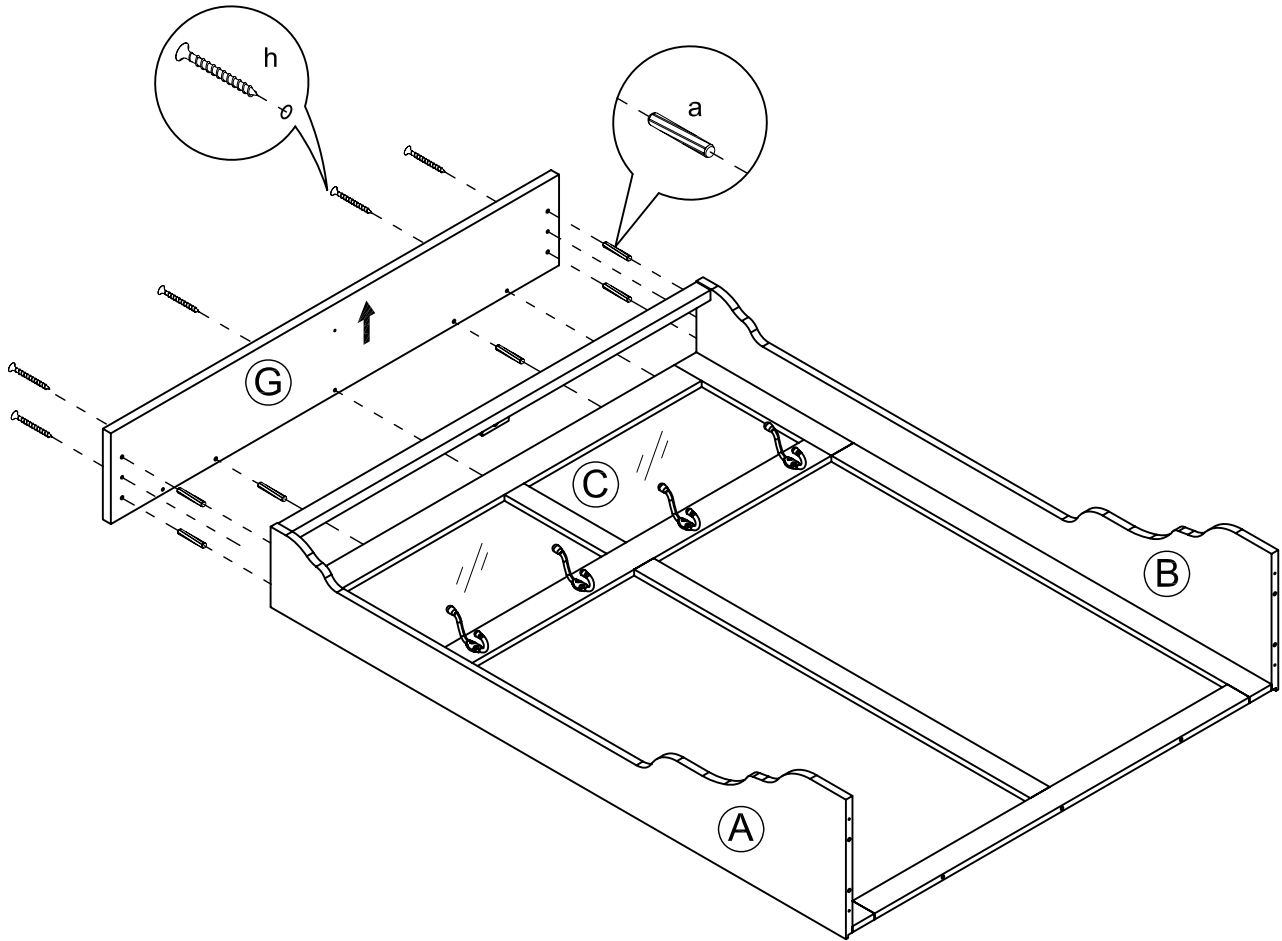
- INSTALL THE WOOD DOWEL (a) INTO THE TOP MIRROR FRAME (C).
- JOIN THE TOP MIRROR FRAME (C) TO THE ASSEMBLED PART BY USING THE INSTALLED WOOD DOWEL (a).

FIG 4



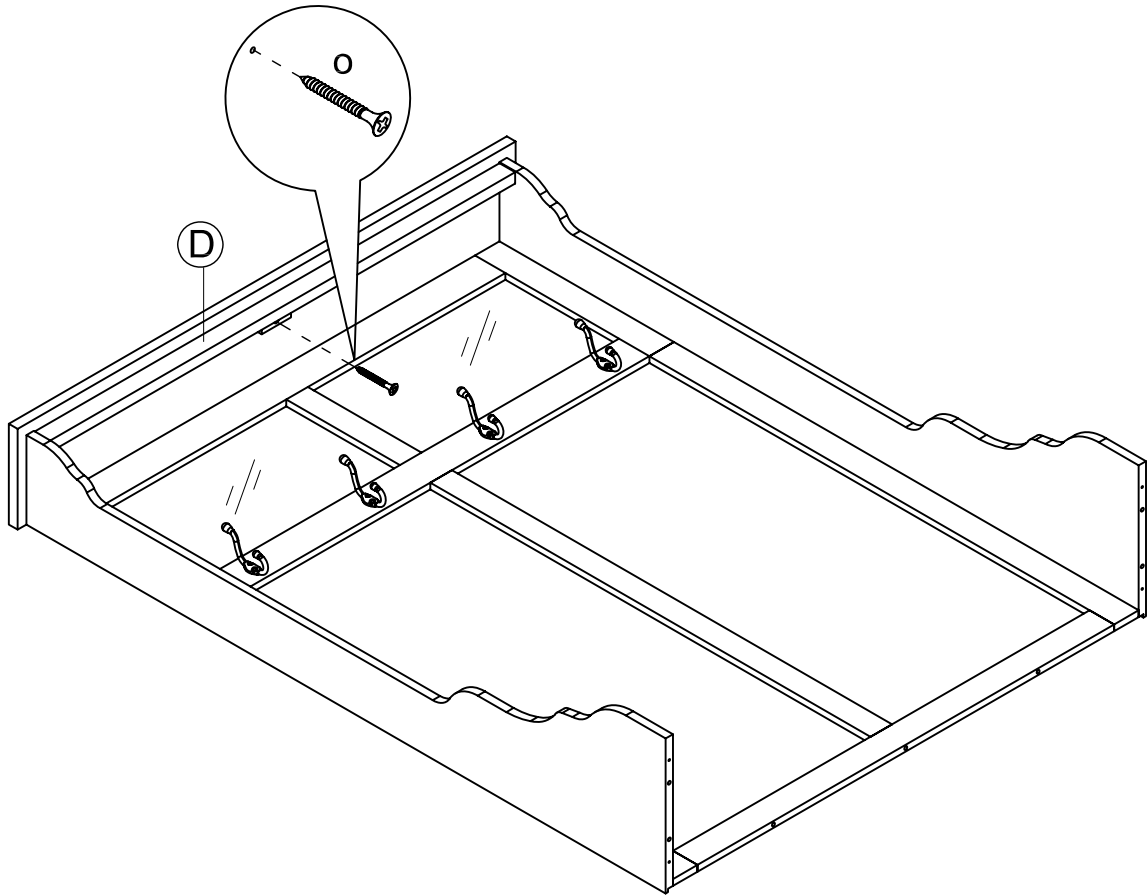
- INSTALL THE WOOD DOWEL (a) INTO THE UPPER LEFT SIDE PANEL (A) AND THE UPPER RIGHT SIDE PANEL (B).
- JOIN THE UPPER LEFT SIDE PANEL (A) AND THE UPPER RIGHT SIDE PANEL (B) TO THE ASSEMBLED PART AND THE FRONT TOP CROSS BAR (D) BY USING THE INSTALLED WOOD DOWEL (a).

FIG 5



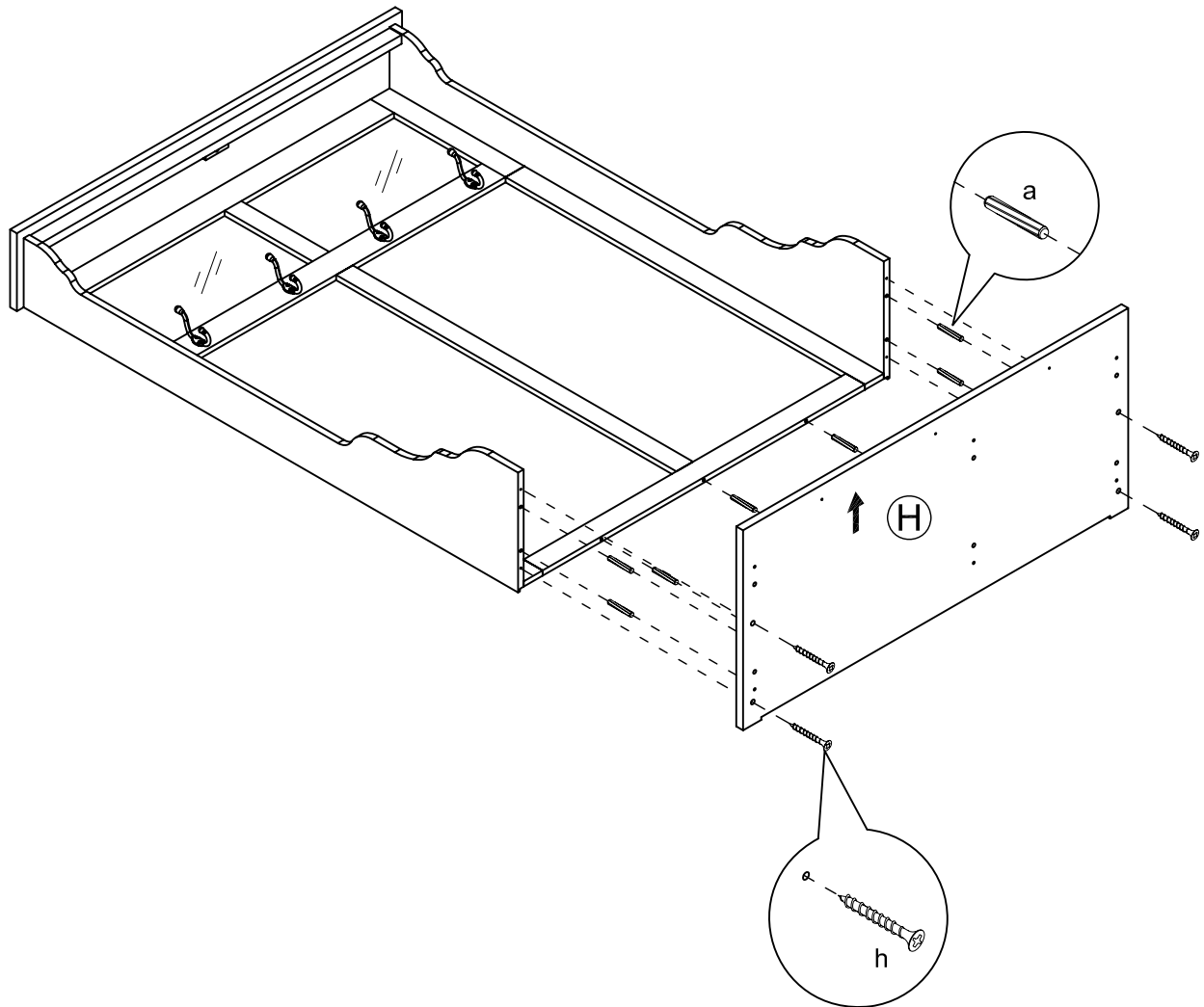
- INSTALL THE WOOD DOWEL (a) INTO THE TOP PANEL (G).
- JOIN THE TOP PANEL (G) TO THE ASSEMBLED PART BY USING THE INSTALLED WOOD DOWEL (a).
- TIGHTEN THE TOP PANEL (G) BY USING THE 1-1/4" L FLAT HEAD SCREW (h).

FIG 6



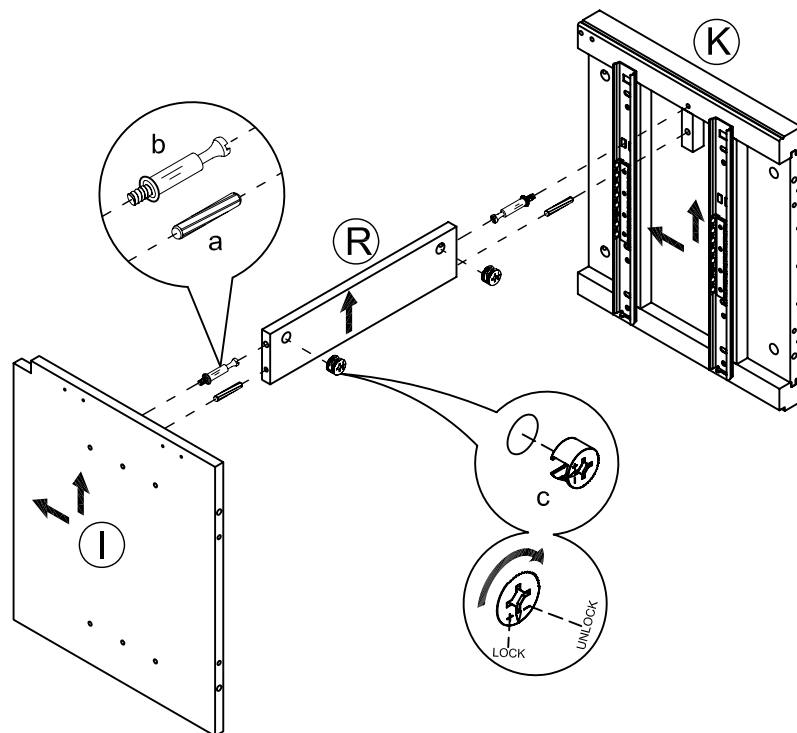
- TIGHTEN THE FRONT TOP CROSS BAR (D) BY USING THE 1" L FLAT HEAD SCREW (o) AS SHOWN.

FIG 7



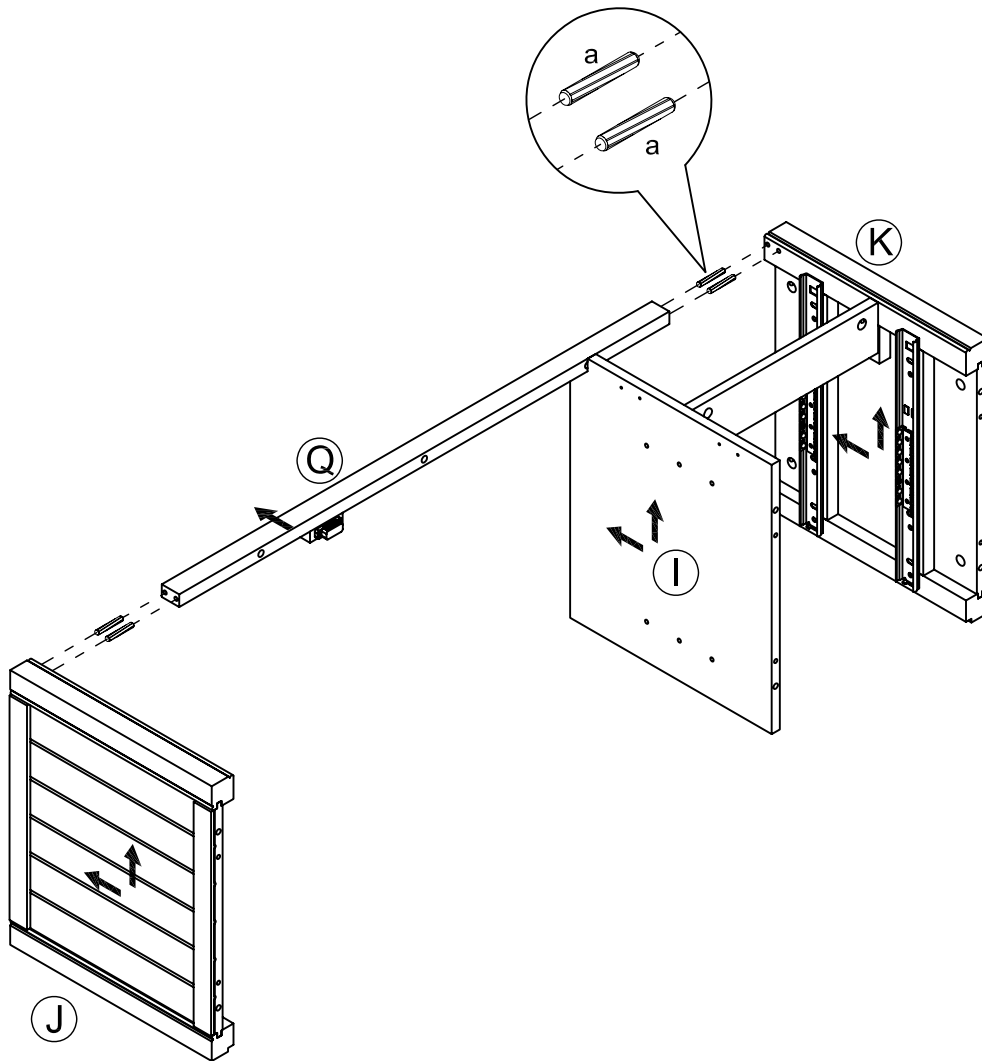
- INSTALL THE WOOD DOWEL (a) INTO THE FIXED PANEL (H).
- JOIN THE FIXED PANEL (H) TO THE ASSEMBLED PART BY USING THE WOOD DOWEL (a).
- TIGHTEN THE FIXED PANEL (H) TO ASSEMBLED PART BY USING THE 1-1/4" L FLAT HEAD SCREW (h) THROUGH PRE-DRILLED HOLES ON BOTTOM OF THE FIXED PANEL (H).

FIG 8



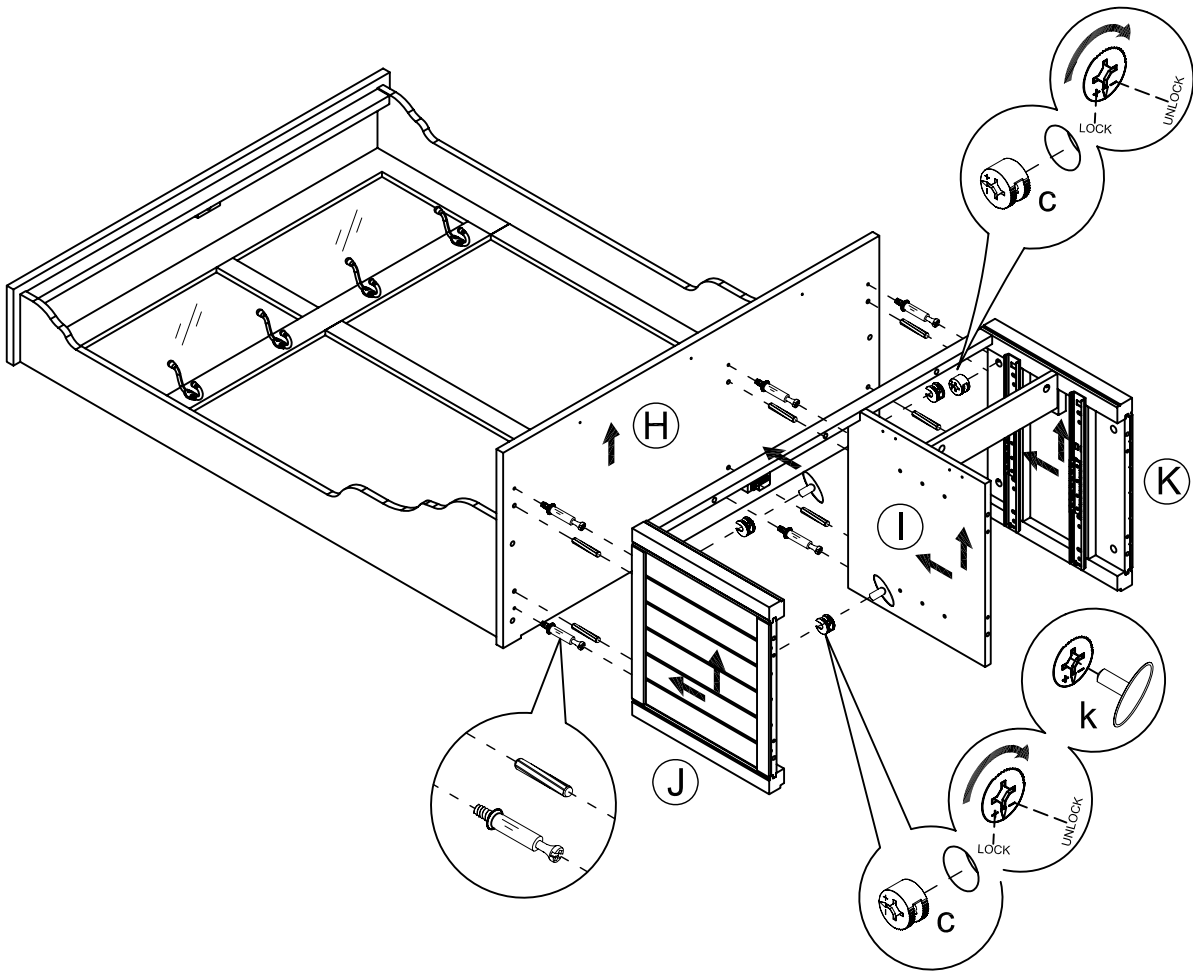
- INSTALL THE WOOD DOWEL (a) AND THE CAM LOCK BOLT (b) INTO THE LOWER PARTITION (I) AND THE LOWER RIGHT SIDE PANEL (K).
- JOIN THE SHORT CROSS BAR (R) TO THE LOWER PARTITION (I) AND THE LOWER RIGHT SIDE PANEL (K) BY USING THE WOOD DOWEL (a) FIRST.
- TIGHTEN CAM LOCK BOLT (b) WITH THE CAM LOCK(c) FROM THE PRE-DRILLED HOLES.

FIG 9



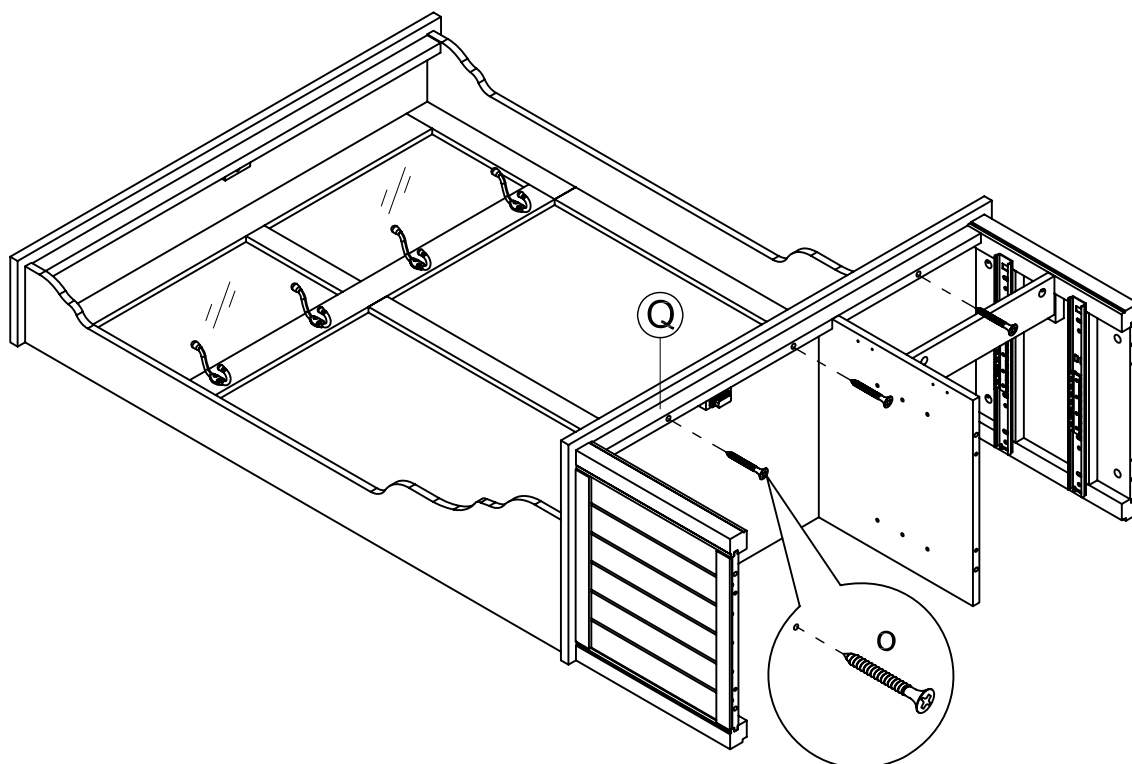
- INSTALL THE WOOD DOWEL (a) INTO THE FRONT BOTTOM CROSS BAR (Q).
- JOIN THE FRONT BOTTOM CROSS BAR (Q) TO THE ASSEMBLED PART AND THE LOWER LEFT SIDE PANEL (J) BY USING THE INSTALLED WOOD DOWEL (a).

FIG 10



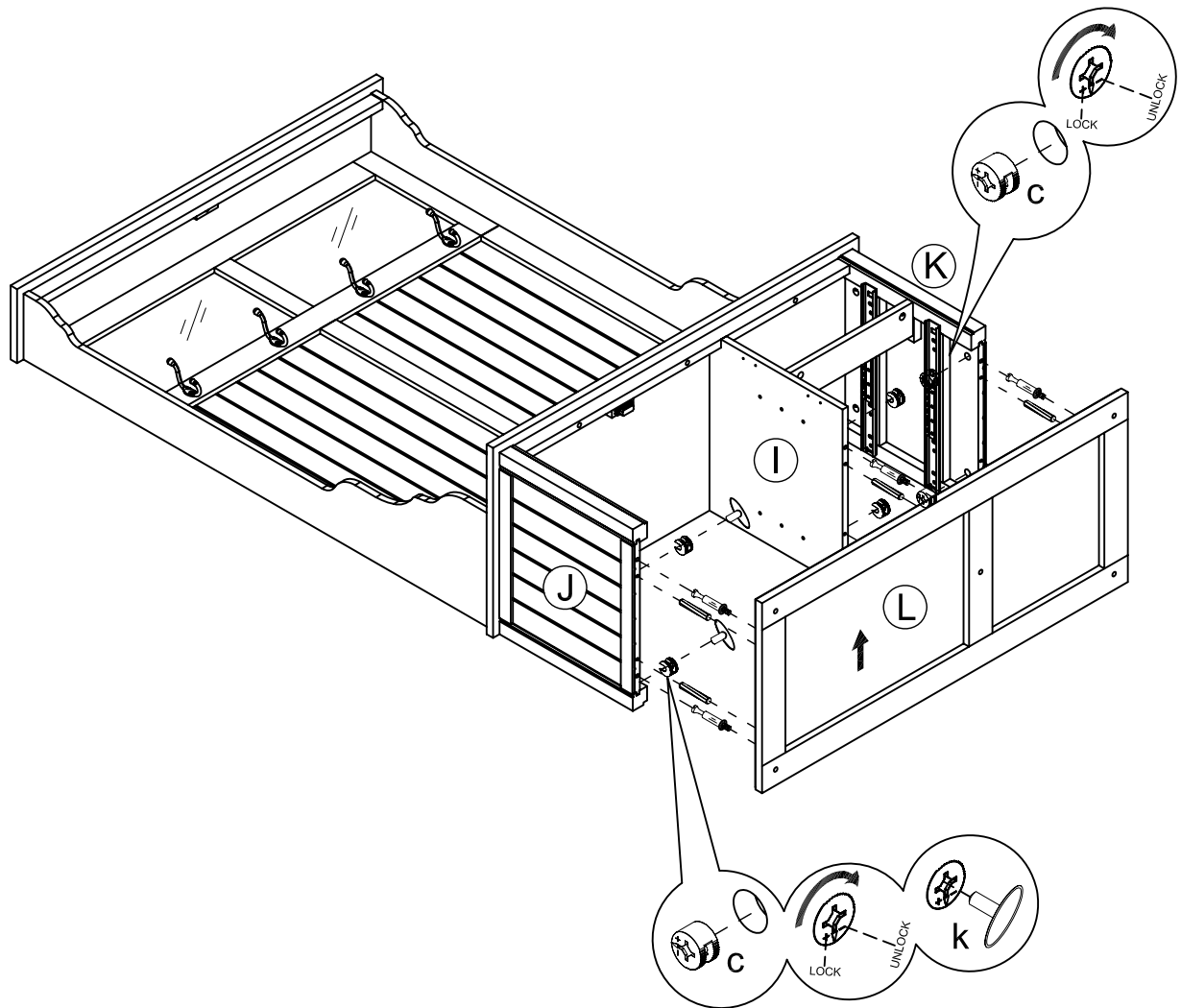
- INSTALL THE WOOD DOWEL (a) AND THE CAM LOCK BOLT (b) INTO BOTTOM OF THE FIXED PANEL (H).
- JOIN TWO ASSEMBLED PARTS BY USING WOOD DOWEL (a) FIRST.
- TIGHTEN CAM LOCK BOLT (b) WITH THE CAM LOCK(c) FROM THE PRE-DRILLED HOLES.
- COVER CAM HOLES WITH THE LONG PLASTIC COVER (k).

FIG 11



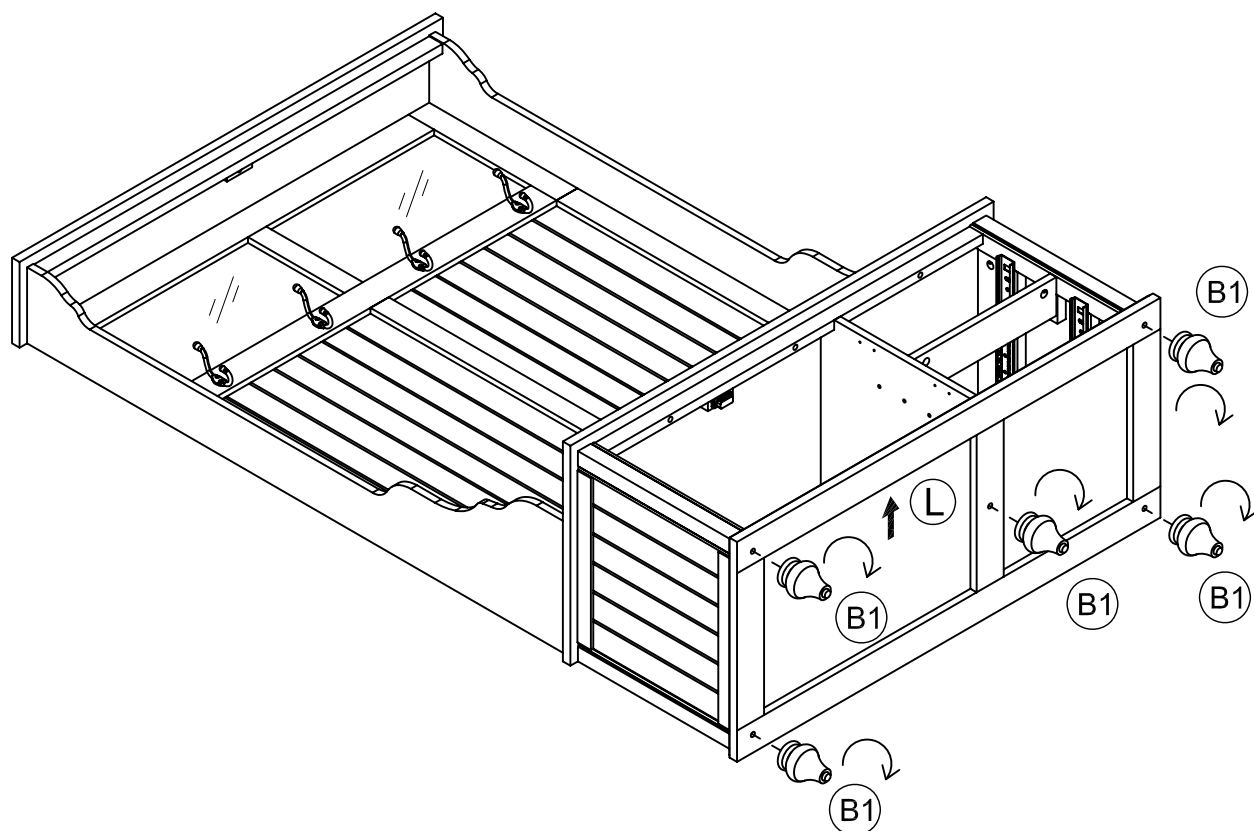
- TIGHTEN THE FRONT BOTTOM CROSS BAR (Q) BY USING THE 1" L FLAT HEAD SCREW (o) AS SHOWN.

FIG 12



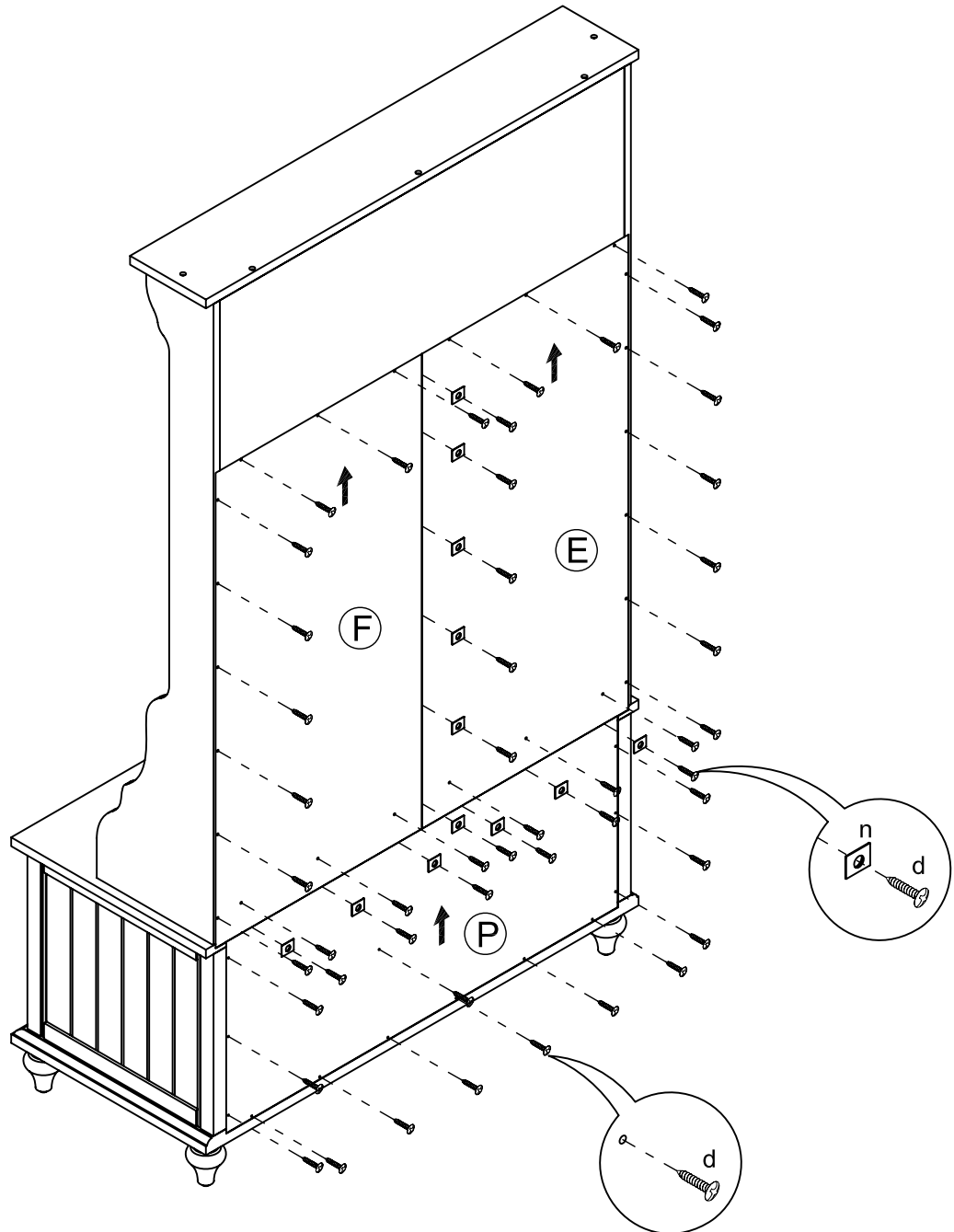
- INSTALL THE WOOD DOWEL (a) AND THE CAM LOCK BOLT (b) INTO THE BOTTOM PANEL (L).
- JOIN THE BOTTOM PANEL (L) TO THE ASSEMBLED PART BY USING THE WOOD DOWEL (a) FIRST.
- TIGHTEN CAM LOCK BOLT (b) WITH THE CAM LOCK(c) FROM THE PRE-DRILLED HOLES.
- COVER CAM HOLES WITH THE LONG PLASTIC COVER (k).

FIG 13



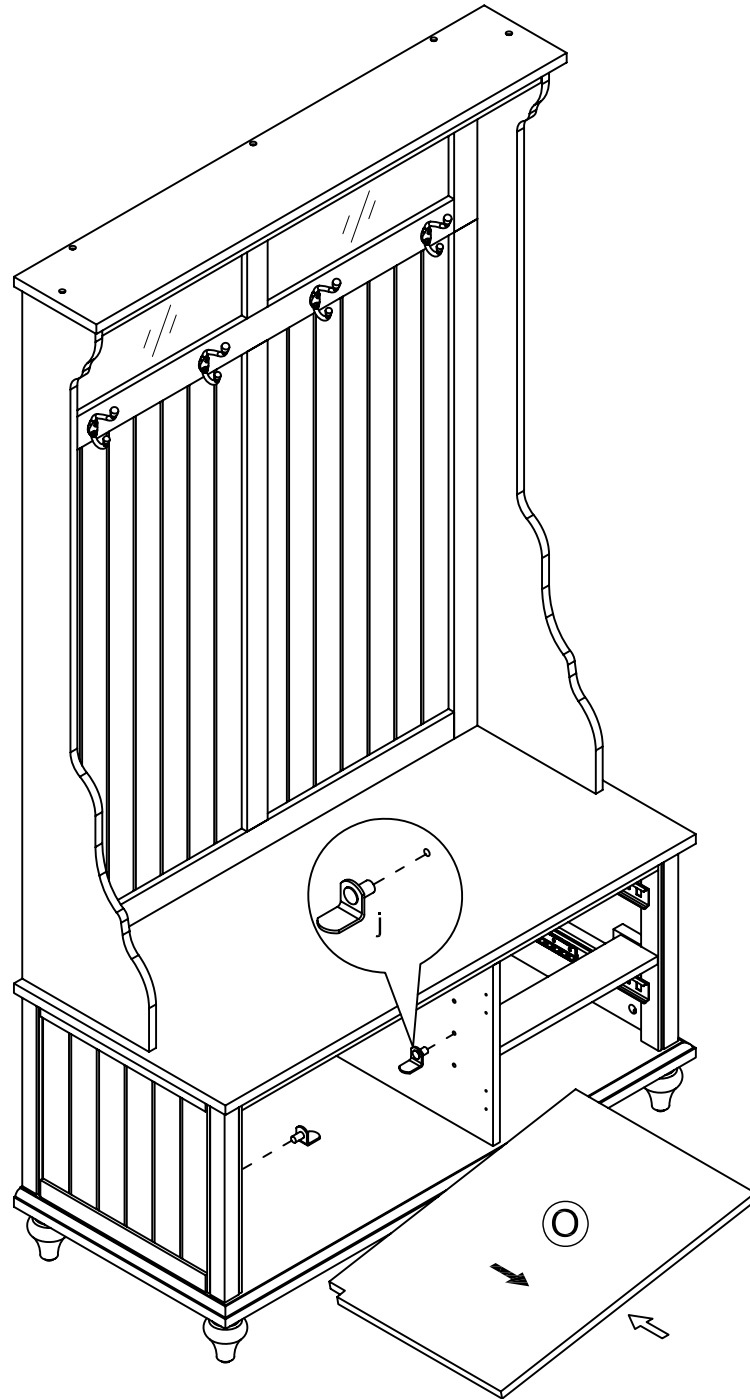
• TIGHTEN THE BALL FOOT (B1) TO THE BOTTOM PANEL (L) AS SHOWN .

FIG 14



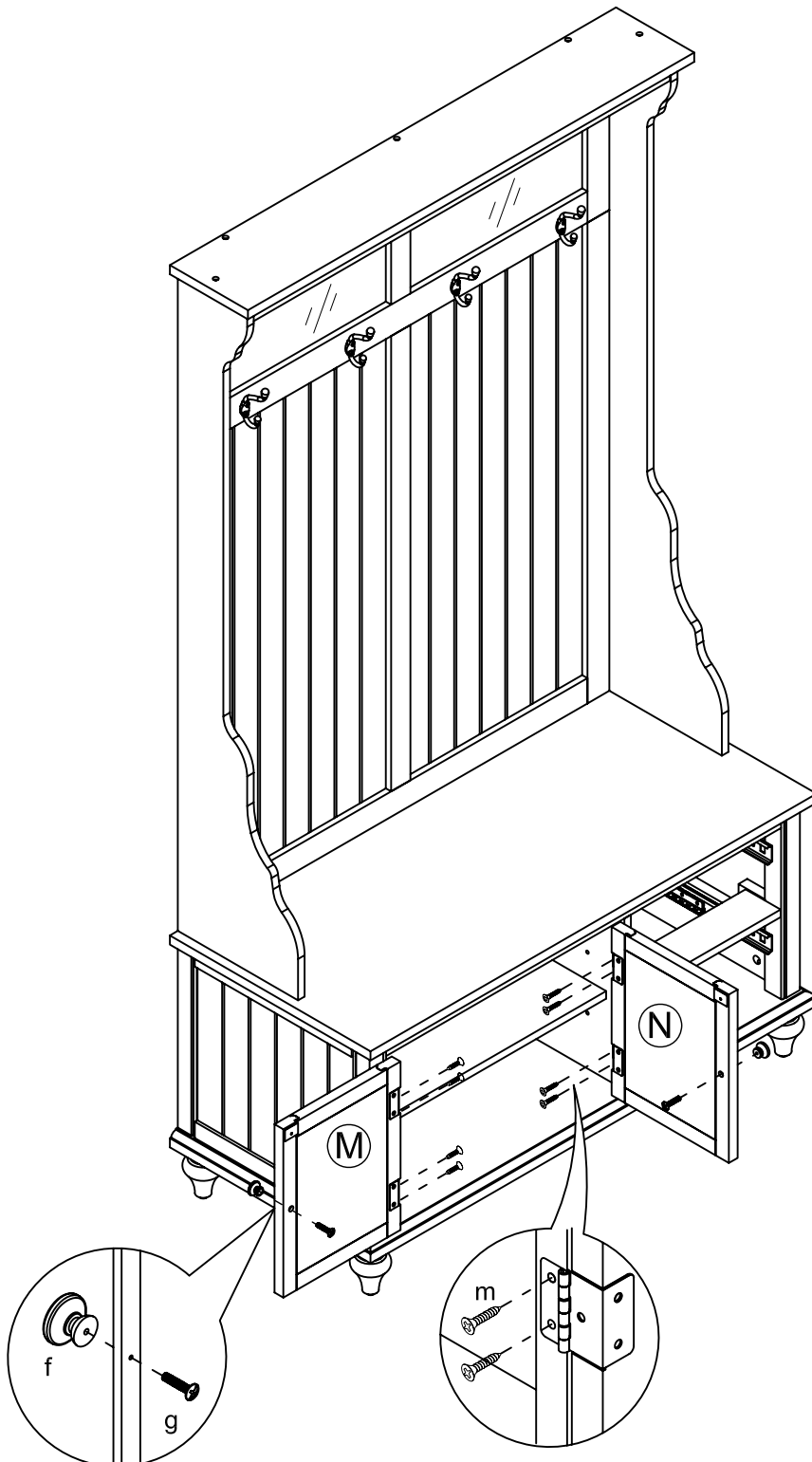
- TIGHTEN THE UPPER LEFT SIDE BACK PANEL (E), THE UPPER RIGHT SIDE BACK PANEL (F) AND THE LOWER BACK PANEL (P) BY USING THE 5/8" L ROUND HEAD SCREW (d) AND THE METAL PLATE (n) .

FIG 15



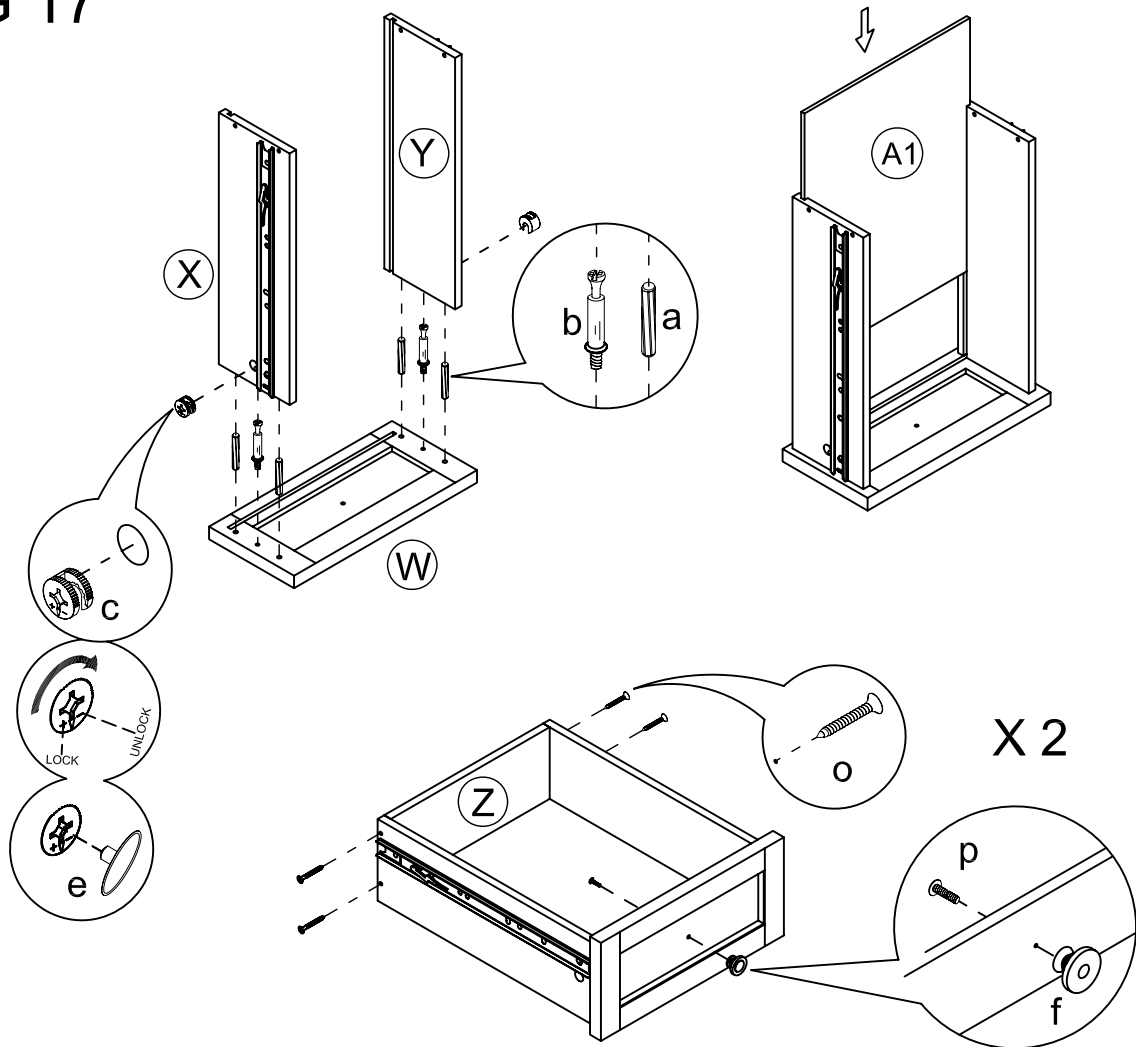
- INSERT THE SHELF PIN (j) IN DESIRED POSITION AND PLACE THE ADJUSTABLE SHELF (o) ABOVE THE SHELF PIN (j).

FIG 16



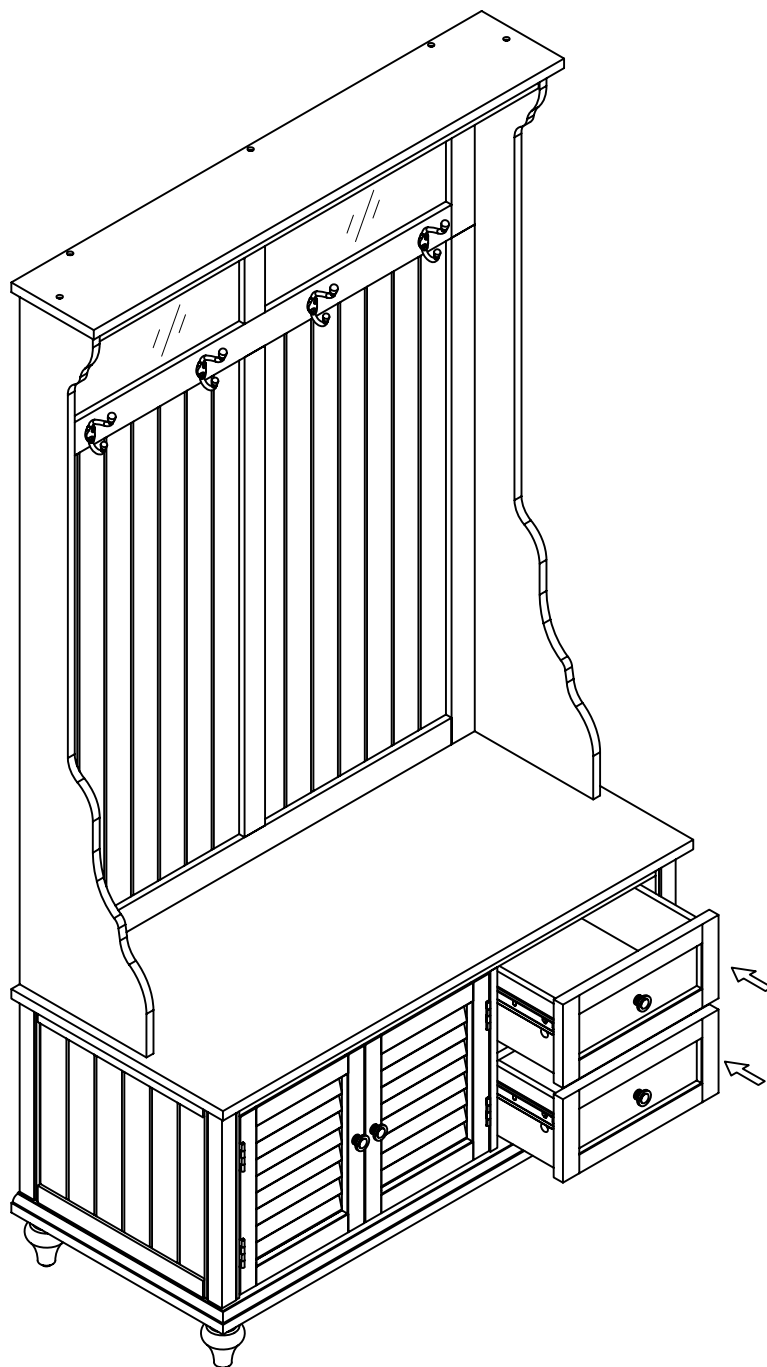
- ATTACH THE LEFT DOOR (M) AND THE RIGHT DOOR (N) TO THE ASSEMBLED PART BY USING 1/2" FLAT HEAD SCREW (m).
- TIGHTEN THE KNOB (f) TO THE LEFT DOOR (M) AND THE RIGHT DOOR (N) BY USING THE LONG KNOB BOLT (g).

FIG 17



- INSTALL THE WOOD DOWEL (a) AND THE CAM LOCK BOLT (b) INTO THE DRAWER FRONT PANEL (W).
- JOIN THE DRAWER LEFT SIDE PANEL (X) AND THE DRAWER RIGHT SIDE PANEL (Y) TO THE DRAWER FRONT PANEL (W) BY USING WOOD DOWEL (a) FIRST.
- TIGHTEN THE CAM LOCK BOLT (b) BY USING THE CAM LOCK (c) FROM PRE-DRILLED HOLES.
- COVER CAM HOLES WITH THE SHORT PLASTIC COVER (e).
- SLIDE THE DRAWER BOTTOM PANEL (A1) INTO THE GROOVE ON THE DRAWER LEFT SIDE PANEL (X) AND THE DRAWER RIGHT SIDE PANEL (Y).
- JOIN THE DRAWER BACK PANEL (Z) TO THE ASSEMBLED DRAWER PART AND TIGHTEN THE DRAWER BACK PANEL (Z) BY USING THE 1" FLAT HEAD SCREW (o) THROUGH PRE-DRILLED HOLES ON DRAWER SIDE PANELS.
- TIGHTEN THE KNOB (f) TO THE DRAWER FRONT PANEL (W) BY USING THE SHORT KNOB BOLT (p).
- REPEAT STEPS ABOVE FOR THE OTHER DRAWER.

FIG 18



- INSERT THE ASSEMBLED DRAWERS INTO THE ASSEMBLED PART.