



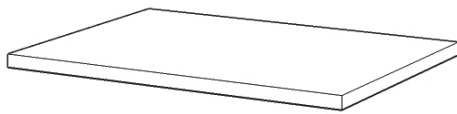
**IMPORTANT**

Carefully remove all the parts from the carton and place them individually on a soft cloth to prevent scratches or other damage.

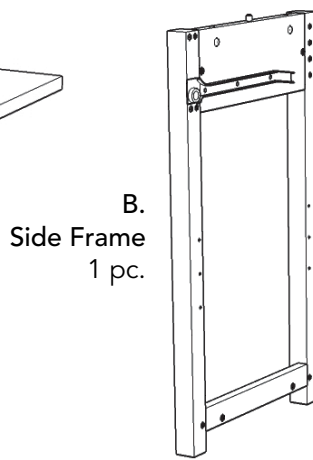
Carefully and strictly follow these assembly instructions to ensure a completed product as designed.

Do not use power tools above 8 volts to assemble.

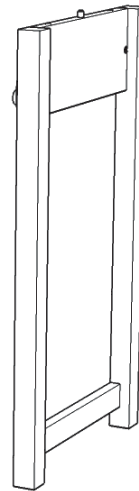
**Part List**



A.  
Top  
1 pc.



B.  
Side Frame  
1 pc.



C.  
Side Frame  
1 pc.



D.  
Back Panel  
1 pc.



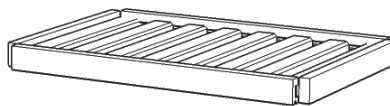
E.  
Front Rail  
2 pcs.



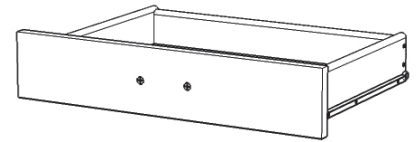
H.  
Towel Bar  
2 pcs.



F.  
Base  
1 pc.



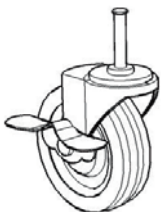
G.  
Shelf  
1 pc.



I.  
Drawer  
1 pc.

Refer to later page(s) of these instructions for drawer assembly.

**Hardware List**



Caster  
2 Locking  
2 Non-Locking  
4 pcs.



Hex Wrench  
1 pc.



Small Hex Wrench  
1 pc.



M6x30  
Head Cap Bolt  
8 pcs. (+1 extra)



Adjustable Pin  
4 pcs. (+1 extra)



Cam Lock  
12 pcs. (+2 extra)



M3.5x25  
Wood Screw (long)  
8 pcs. (+1 extra)



Cam Lock Screw  
12 pcs. (+1 extra)



M3.5x16  
Wood Screw (short)  
6 pcs. (+1 extra)



Handle  
1 pc.



M4x25  
Machine Screw  
2 pcs.

Tool(s) required for assembly: Phillips screwdriver

# Assembly Instructions 2/4

## IMPORTANT

- Use a soft cloth between these parts and the floor.
- Do not use power tools above 8 volts to assemble.
- Do not tighten all the bolts until each part is properly assembled.
- Keep Hex Wrench as the bolts may need to be tightened in the future.

## STEP 1

Insert Cam Lock Screws into pre-drilled holes of Top (A) and Side Panels (B), (C), then tighten. (See Figure 1)

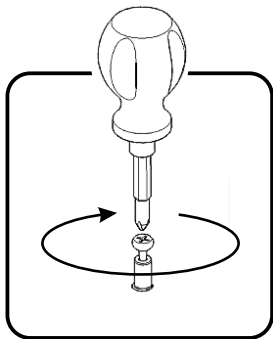


Figure 1

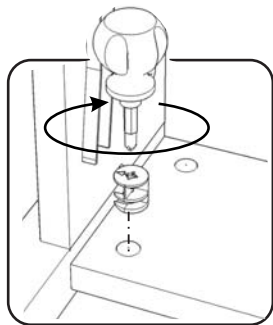
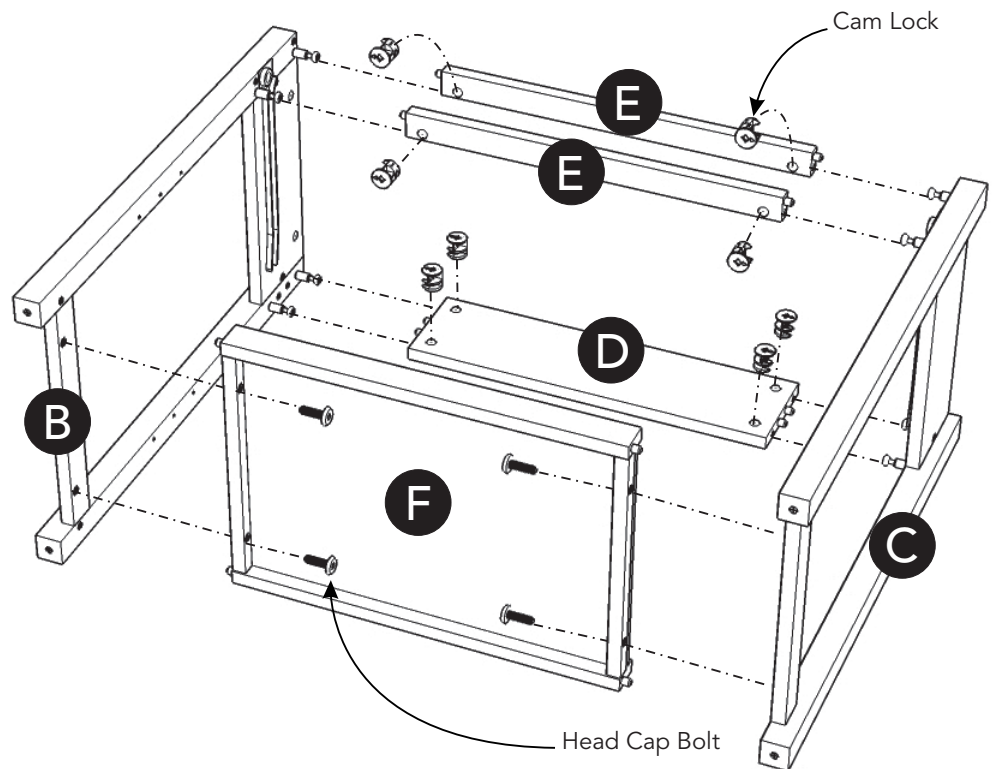
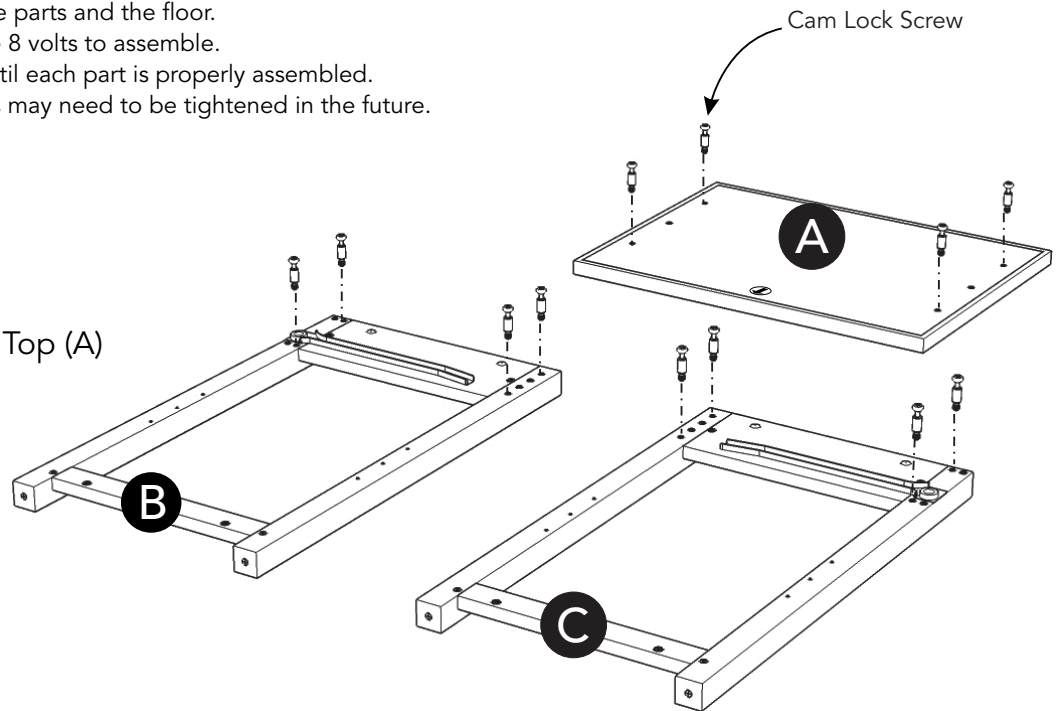


Figure 2



## STEP 2

Attach Front Rails (E) and Back Panel (D) to Side Frame (B) with Cam Locks. (See Figure 2)

Attach Base (F) to unit with Head Cap Bolts. (See Figure 3)

Attach Side Frame (C) to unit with Cam Locks and Head Cap Bolts.

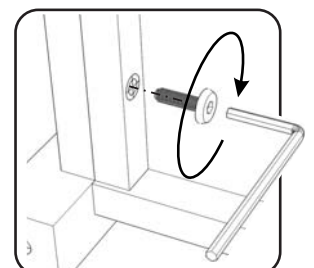
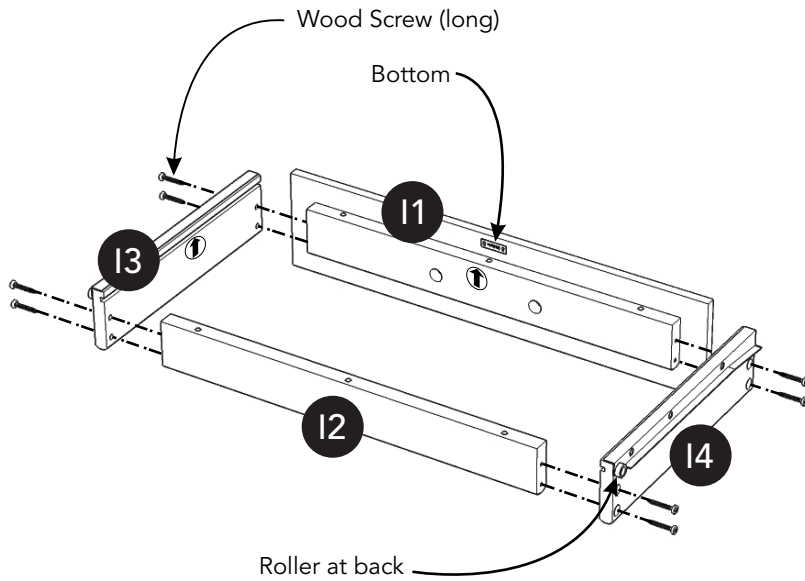
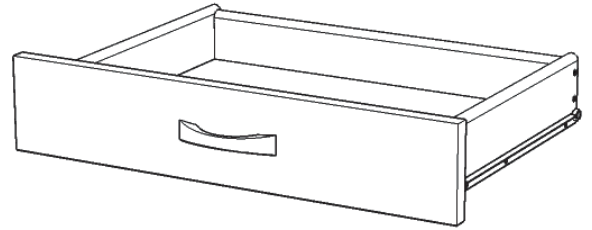


Figure 3

# Assembly Instructions 3/4

## Drawer (I)



### STEP 3

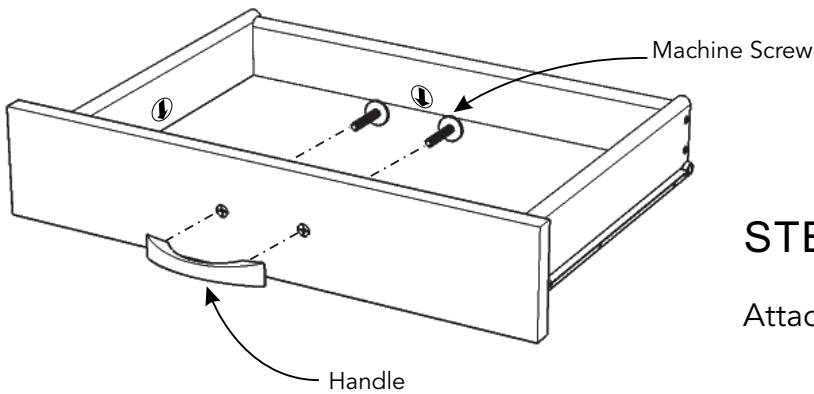
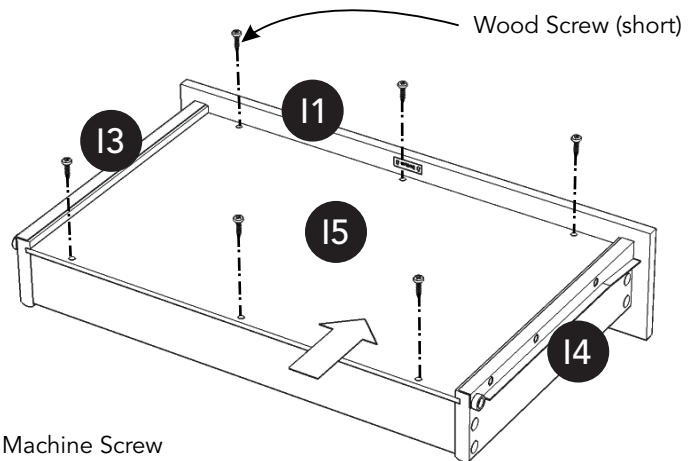
Attach Drawer Front (11) and Drawer Back (12) to Drawer Side (13) with Wood Screws (long).

Attach Drawer Side (14) to unit with Wood Screws (long).

### STEP 4

Slide Drawer Bottom (15) into the grooves of Drawer Sides (13) and (14) until it meets Drawer Front (11).

Attach Drawer Bottom (15) to unit with Wood Screws (short).



### STEP 5

Attach Handle with Machine Screws.

## Part List



# Assembly Instructions 4/4

## STEP 6

Turn unit upside down.

Attach Casters to bottom of unit with Locking Casters at front.  
(See Figure 4)

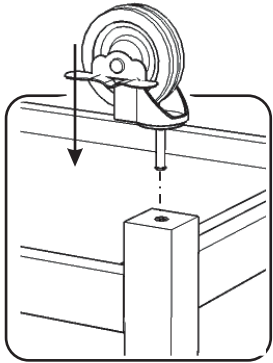


Figure 4

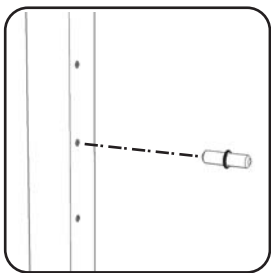
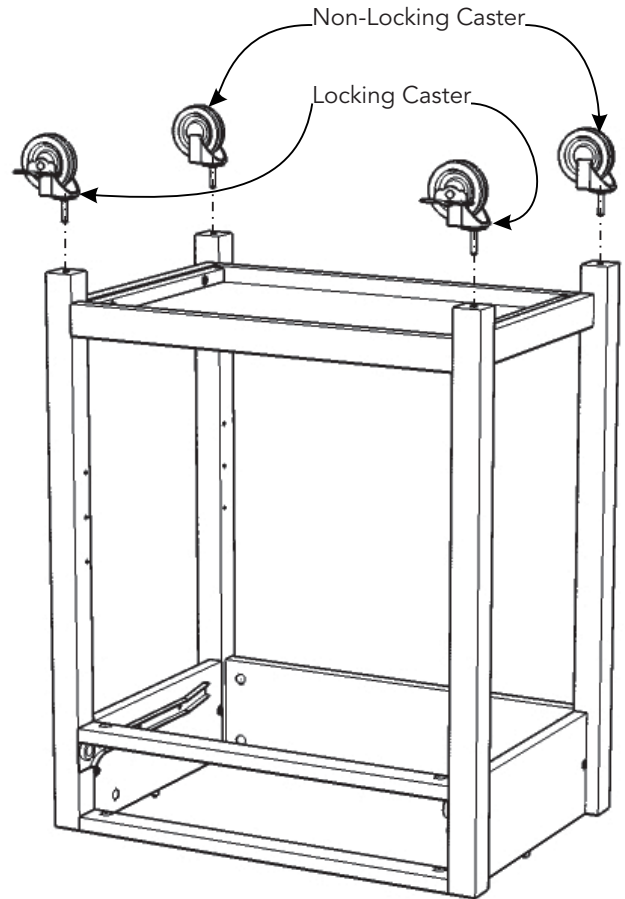


Figure 5

## STEP 7

Turn unit to its' upright position.

Attach Towel Bars (H) to unit with Head Cap Bolts.

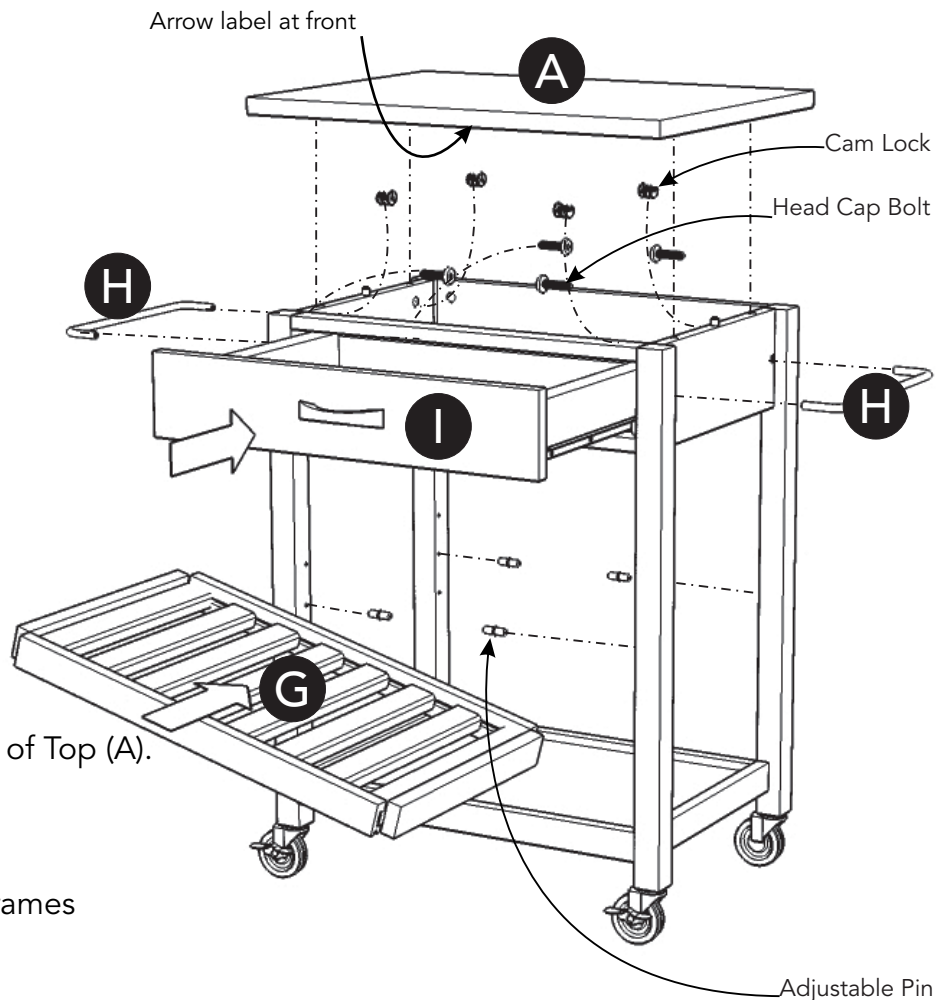
Attach Top (A) to unit with Cam Locks.

Note: Arrow label indicates front of Top (A).

Slide Drawer (I) into place.

Insert Adjustable Pins into side frames at desired level. (See Figure 5)

Place Shelf (G) into position.



# CARE INSTRUCTIONS

## NEVER

allow liquids to remain on furniture.  
Absorption causes parts to warp  
and split and finishes to delaminate.

## NEVER

use glass cleaners on  
finished furniture. Ammonia  
chemically attacks the finish.



Do not use power tools  
above 8 volts to assemble.  
**PREVENT  
CRACKING**



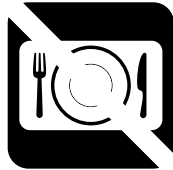
Do not place  
in direct sunlight.  
**PREVENT  
FADING**



Do not write  
directly on surface.  
**PREVENT  
MARKING**



Do not place hot  
objects on surface.  
**PREVENT  
FINISH DAMAGE**



Do not use rubber  
based placemats.  
**PREVENT  
DISCOLORING**



Do not use commercial  
waxes and polishes.  
**PREVENT  
YELLOWING**

## CLEAN

with a soft cloth moistened  
in lukewarm soap and water.  
Buff with a dry clean cloth.



Home Styles will provide replacements free of charge for missing or damaged hardware or parts within 30 days of purchase. Digital images of the defective parts may be required. If the product was not purchased from an authorized retail affiliate, Home Styles is under no obligation to provide replacement parts. Parts are not available for fully assembled items nor are parts available for sale. Replacements for missing or damaged hardware or parts may be requested at:

[www.homestyles-furniture.com/customer-service/replacement-parts](http://www.homestyles-furniture.com/customer-service/replacement-parts)

Home Styles Customer Service: [www.homestyles-furniture.com](http://www.homestyles-furniture.com),  
[servicedesk@homestyles-furniture.com](mailto:servicedesk@homestyles-furniture.com), 888-680-7460, 877-831-0319