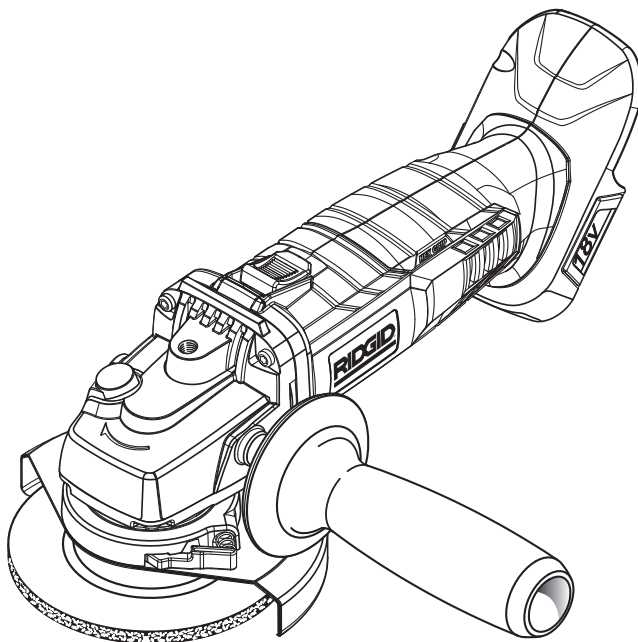




OPERATOR'S MANUAL
MANUEL D'UTILISATION
MANUAL DEL OPERADOR

18 VOLT ANGLE GRINDER
18 V MEULEUSE D'ANGLE
18 V AMALADORA ANGULAR

R86040



To register your RIDGID product, please visit:
<http://register.RIDGID.com>

Pour enregistrer votre produit de RIDGID, s'il vous plaît la visite:
<http://register.RIDGID.com>

Para registrar su producto de RIDGID, por favor visita:
<http://register.RIDGID.com>

TABLE OF CONTENTS

INCLUDES: Angle Grinder, Wrench, Side Handle, Grinding Wheel, Operator's Manual

- General Power Tool Safety Warnings2-3
- Angle Grinder Safety Warnings3-5
- Symbols..... 6
- Features..... 7
- Assembly7-8
- Operation.....8-9
- Maintenance..... 10
- Figures (Illustrations)11-12
- Parts Ordering and ServiceBack page

TABLE DES MATIÈRES

INCLUT : Meuleuse d'angle, clé, poignée latérale, meule disque, manuel d'utilisation

- Règles de sécurité générales relatives aux outils électriques2-3
- Avertissements de sécurité relatifs meuleuse d'angle3-5
- Symboles..... 6
- Caractéristiques 7
- Assemblage.....7-8
- Utilisation8-9
- Entretien 10
- Figures (illustrations).....11-12
- Commande de pièces et dépannage.....Page arrière

ÍNDICE DE CONTENIDO

INCLUYE: Amoladora angular, llave, mango lateral, muela abrasiva, manual del operador

- Advertencias de seguridad para herramientas eléctrica 2-3
- Advertencias de amaladora angular 3-5
- Símbolos.....6
- Características.....7
- Armado 7-8
- Funcionamiento 8-9
- Mantenimiento10
- Figuras (ilustraciones) 11-12
- Pedidos de piezas y servicio..... Pág. posterior

⚠ WARNING: To reduce the risk of injury, the user must read and understand the operator's manual before using this product.

⚠ AVERTISSEMENT : Pour réduire les risques de blessures, l'utilisateur doit lire et veiller à bien comprendre le manuel d'utilisation avant d'employer ce produit.

⚠ ADVERTENCIA: Para reducir el riesgo de lesiones, el usuario debe leer y comprender el manual del operador antes de usar este producto.

SAVE THIS MANUAL FOR FUTURE REFERENCE

CONSERVER CE MANUEL POUR FUTURE RÉFÉRENCE

GUARDE ESTE MANUAL PARA FUTURAS CONSULTAS

GENERAL POWER TOOL SAFETY WARNINGS

WARNING

Read all safety warnings and all instructions. Failure to follow the warnings and instructions may result in electric shock, fire and/or serious injury.

Save all warnings and instructions for future reference.

The term “power tool” in the warnings refers to your mains-operated (corded) power tool or battery-operated (cordless) power tool.

WORK AREA SAFETY

- **Keep work area clean and well lit.** Cluttered or dark areas invite accidents.
- **Do not operate power tools in explosive atmospheres, such as in the presence of flammable liquids, gases or dust.** Power tools create sparks which may ignite the dust or fumes.
- **Keep children and bystanders away while operating a power tool.** Distractions can cause you to lose control.

ELECTRICAL SAFETY

- **Power tool plugs must match the outlet. Never modify the plug in any way. Do not use any adapter plugs with earthed (grounded) power tools.** Unmodified plugs and matching outlets will reduce risk of electric shock.
- **Avoid body contact with earthed or grounded surfaces such as pipes, radiators, ranges and refrigerators.** There is an increased risk of electric shock if your body is earthed or grounded.
- **Do not expose power tools to rain or wet conditions.** Water entering a power tool will increase the risk of electric shock.
- **Do not abuse the cord. Never use the cord for carrying, pulling or unplugging the power tool. Keep cord away from heat, oil, sharp edges or moving parts.** Damaged or entangled cords increase the risk of electric shock.
- **When operating a power tool outdoors, use an extension cord suitable for outdoor use.** Use of a cord suitable for outdoor use reduces the risk of electric shock.
- **If operating a power tool in a damp location is unavoidable, use a ground fault circuit interrupter (GFCI) protected supply.** Use of a GFCI reduces the risk of electric shock.
- **For use with 18 V lithium-ion battery packs, see tool/appliance/battery pack/charger correlation supplement 988000-302.**

PERSONAL SAFETY

- **Stay alert, watch what you are doing and use common sense when operating a power tool. Do not use a power tool while you are tired or under the influence of drugs, alcohol or medication.** A moment of inattention while operating power tools may result in serious personal injury.

- **Use personal protective equipment. Always wear eye protection.** Protective equipment such as dust mask, non-skid safety shoes, hard hat, or hearing protection used for appropriate conditions will reduce personal injuries.
- **Prevent unintentional starting. Ensure the switch is in the off-position before connecting to power source and/or battery pack, picking up or carrying the tool.** Carrying power tools with your finger on the switch or energising power tools that have the switch on invites accidents.
- **Remove any adjusting key or wrench before turning the power tool on.** A wrench or a key left attached to a rotating part of the power tool may result in personal injury.
- **Do not overreach. Keep proper footing and balance at all times.** This enables better control of the power tool in unexpected situations.
- **Dress properly. Do not wear loose clothing or jewellery. Keep your hair, clothing and gloves away from moving parts.** Loose clothes, jewellery or long hair can be caught in moving parts.
- **If devices are provided for the connection of dust extraction and collection facilities, ensure these are connected and properly used.** Use of dust collection can reduce dust-related hazards.
- **Do not wear loose clothing or jewelry. Contain long hair.** Loose clothes, jewelry, or long hair can be drawn into air vents.
- **Do not use on a ladder or unstable support.** Stable footing on a solid surface enables better control of the power tool in unexpected situations.

POWER TOOL USE AND CARE

- **Do not force the power tool. Use the correct power tool for your application.** The correct power tool will do the job better and safer at the rate for which it was designed.
- **Do not use the power tool if the switch does not turn it on and off.** Any power tool that cannot be controlled with the switch is dangerous and must be repaired.
- **Disconnect the plug from the power source and/or the battery pack from the power tool before making any adjustments, changing accessories, or storing power tools.** Such preventive safety measures reduce the risk of starting the power tool accidentally.
- **Store idle power tools out of the reach of children and do not allow persons unfamiliar with the power tool or these instructions to operate the power tool.** Power tools are dangerous in the hands of untrained users.
- **Maintain power tools. Check for misalignment or binding of moving parts, breakage of parts and any other condition that may affect the power tool's operation. If damaged, have the power tool repaired**

GENERAL POWER TOOL SAFETY WARNINGS

before use. Many accidents are caused by poorly maintained power tools.

- **Keep cutting tools sharp and clean.** Properly maintained cutting tools with sharp cutting edges are less likely to bind and are easier to control.
- **Use the power tool, accessories and tool bits etc. in accordance with these instructions, taking into account the working conditions and the work to be performed.** Use of the power tool for operations different from those intended could result in a hazardous situation.

BATTERY TOOL USE AND CARE

- **Recharge only with the charger specified by the manufacturer.** A charger that is suitable for one type of battery pack may create a risk of fire when used with another battery pack.
- **Use power tools only with specifically designated battery packs.** Use of any other battery packs may create a risk of injury and fire.

- **When battery pack is not in use, keep it away from other metal objects, like paper clips, coins, keys, nails, screws or other small metal objects, that can make a connection from one terminal to another.** Shorting the battery terminals together may cause burns or a fire.
- **Under abusive conditions, liquid may be ejected from the battery; avoid contact. If contact accidentally occurs, flush with water. If liquid contacts eyes, additionally seek medical help.** Liquid ejected from the battery may cause irritation or burns.

SERVICE

- **Have your power tool serviced by a qualified repair person using only identical replacement parts.** This will ensure that the safety of the power tool is maintained.
- **When servicing a power tool, use only identical replacement parts. Follow instructions in the Maintenance section of this manual.** Use of unauthorized parts or failure to follow Maintenance instructions may create a risk of shock or injury.

ANGLE GRINDER SAFETY WARNINGS

SAFETY WARNINGS COMMON FOR GRINDING, SANDING, WIRE BRUSHING AND POLISHING OPERATIONS

- **This power tool is intended to function as a grinder, sander, wire brush, or polisher. Read all safety warnings, instructions, illustrations and specifications provided with this power tool.** Failure to follow all instructions listed below may result in electric shock, fire and/or serious injury.
- **Operations such as cutting-off are not recommended to be performed with this power tool.** Operations for which the power tool was not designed may create a hazard and cause personal injury.
- **Do not use accessories which are not specifically designed and recommended by the tool manufacturer.** Just because the accessory can be attached to your power tool, it does not assure safe operation.
- **The rated speed of the accessory must be at least equal to the maximum speed marked on the power tool.** Accessories running faster than their RATED SPEED can break and fly apart.
- **The outside diameter and the thickness of your accessory must be within the capacity rating of your power tool.** Incorrectly sized accessories cannot be adequately guarded or controlled.

- **The arbour size of wheels, flanges, backing pads or any other accessory must properly fit the spindle of the power tool.** Accessories with arbour holes that do not match the mounting hardware of the power tool will run out of balance, vibrate excessively and may cause loss of control.
- **Do not use a damaged accessory. Before each use inspect the accessory such as abrasive wheels for chips and cracks, backing pad for cracks, tears or excess wear, wire brush for loose or cracked wires. If power tool or accessory is dropped, inspect for damage or install an undamaged accessory. After inspecting and installing an accessory, position yourself and bystanders away from the plane of the rotating accessory and run the power tool at maximum no-load speed for one minute.** Damaged accessories will normally break apart during this test time.
- **Wear personal protective equipment. Depending on application, use face shield, safety goggles or safety glasses. As appropriate, wear dust mask, hearing protectors, gloves and workshop apron capable of stopping small abrasive or workpiece fragments.** The eye protection must be capable of stopping flying debris generated by various operations. The dust mask or respirator must be capable of filtering particles generated by your operation. Prolonged exposure to high intensity noise may cause hearing loss.

ANGLE GRINDER SAFETY WARNINGS

- **Keep bystanders a safe distance away from work area.** Anyone entering the work area must wear personal protective equipment. Fragments of workpiece or of a broken accessory may fly away and cause injury beyond immediate area of operation.
- **Hold power tool by insulated gripping surfaces only, when performing an operation where the cutting accessory may contact hidden wiring or its own cord.** Cutting accessory contacting a “live” wire may make exposed metal parts of the power tool “live” and shock the operator.
- **Position the cord clear of the spinning accessory.** If you lose control, the cord may be cut or snagged and your hand or arm may be pulled into the spinning accessory.
- **Never lay the power tool down until the accessory has come to a complete stop.** The spinning accessory may grab the surface and pull the power tool out of your control.
- **Do not run the power tool while carrying it at your side.** Accidental contact with the spinning accessory could snag your clothing, pulling the accessory into your body.
- **Regularly clean the power tool’s air vents.** The motor’s fan will draw the dust inside the housing and excessive accumulation of powdered metal may cause electrical hazards.
- **Do not operate the power tool near flammable materials.** Sparks could ignite these materials.
- **Do not use accessories that require liquid coolants.** Using water or other liquid coolants may result in electrocution or shock.

KICKBACK AND RELATED WARNINGS

Kickback is a sudden reaction to a pinched or snagged rotating wheel, backing pad, brush or any other accessory. Pinching or snagging causes rapid stalling of the rotating accessory which in turn causes the uncontrolled power tool to be forced in the direction opposite of the accessory’s rotation at the point of the binding.

For example, if an abrasive wheel is snagged or pinched by the workpiece, the edge of the wheel that is entering into the pinch point can dig into the surface of the material causing the wheel to climb out or kick out. The wheel may either jump toward or away from the operator, depending on direction of the wheel’s movement at the point of pinching. Abrasive wheels may also break under these conditions.

Kickback is the result of power tool misuse and/or incorrect operating procedures or conditions and can be avoided by taking proper precautions as given below.

- **Maintain a firm grip on the power tool and position your body and arm to allow you to resist kickback forces.** Always use auxiliary handle, if provided, for

maximum control over kickback or torque reaction during start-up. The operator can control torque reactions or kickback forces, if proper precautions are taken.

- **Never place your hand near the rotating accessory.** Accessory may kickback over your hand.
- **Do not position your body in the area where power tool will move if kickback occurs.** Kickback will propel the tool in direction opposite to the wheel’s movement at the point of snagging.
- **Use special care when working corners, sharp edges, etc. Avoid bouncing and snagging the accessory.** Corners, sharp edges or bouncing have a tendency to snag the rotating accessory and cause loss of control or kickback.
- **Do not attach a saw chain woodcarving blade or toothed saw blade.** Such blades create frequent kickback and loss of control.

SAFETY WARNINGS SPECIFIC FOR GRINDING OPERATIONS

- **Use only wheel types that are recommended for your power tool and the specific guard designed for the selected wheel.** Wheels for which the power tool was not designed cannot be adequately guarded and are unsafe.
- **The guard must be securely attached to the power tool and positioned for maximum safety, so the least amount of wheel is exposed towards the operator.** The guard helps to protect operator from broken wheel fragments and accidental contact with wheel.
- **Wheels must be used only for recommended applications. For example: do not grind with the side of cut-off wheel.** Abrasive cut-off wheels are intended for peripheral grinding, side forces applied to these wheels may cause them to shatter.
- **Always use undamaged wheel flanges that are of correct size and shape for your selected wheel.** Proper wheel flanges support the wheel thus reducing the possibility of wheel breakage. Flanges for cut-off wheels may be different from grinding wheel flanges.
- **Do not use worn down wheels from larger power tools.** Wheel intended for larger power tool is not suitable for the higher speed of a smaller tool and may burst.

SAFETY WARNINGS SPECIFIC FOR SANDING OPERATIONS

- **Do not use excessively oversized sanding disc paper. Follow manufacturers recommendations, when selecting sanding paper.** Larger sanding paper extending beyond the sanding pad presents a laceration hazard and may cause snagging, tearing of the disc or kickback.

ANGLE GRINDER SAFETY WARNINGS

SAFETY WARNINGS SPECIFIC FOR POLISHING OPERATIONS

- **Do not allow any loose portion of the polishing bonnet or its attachment strings to spin freely. Tuck away or trim any loose attachment strings.** Loose and spinning attachment strings can entangle your fingers or snag on the workpiece.

SAFETY WARNINGS SPECIFIC FOR WIRE BRUSH OPERATIONS

- **Be aware that wire bristles are thrown by the brush even during ordinary operation. Do not overstress the wires by applying excessive load to the brush.** The wire bristles can easily penetrate light clothing and/or skin.
- **If the use of a guard is recommended for wire brushing, do not allow any interference of the wire wheel or brush with the guard.** Wire wheel or brush may expand in diameter due to work load and centrifugal forces.

ADDITIONAL SAFETY RULES

- **Always use proper guard with grinding wheel.** A guard protects operator from broken wheel fragments.
- **Know your power tool. Read operator's manual carefully. Learn its applications and limitations, as well as the specific potential hazards related to this power tool.** Following this rule will reduce the risk of electric shock, fire, or serious injury.
- **Always wear eye protection with side shields marked to comply with ANSI Z87.1.** Following this rule will reduce the risk of serious personal injury.
- **Protect your lungs. Wear a face or dust mask if the operation is dusty.** Following this rule will reduce the risk of serious personal injury.
- **Protect your hearing. Wear hearing protection during extended periods of operation.** Following this rule will reduce the risk of serious personal injury.

CALIFORNIA PROPOSITION 65

WARNING:

This product and some dust created by power sanding, sawing, grinding, drilling, and other construction activities may contain chemicals, including lead, known to the State of California to cause cancer, birth defects, or other reproductive harm. ***Wash hands after handling.***

Some examples of these chemicals are:




- lead from lead-based paints,
- crystalline silica from bricks and cement and other masonry products and,
- arsenic and chromium from chemically treated lumber.

Your risk from exposure to these chemicals varies, depending on how often you do this type of work. To reduce your exposure, work in a well-ventilated area and with approved safety equipment, such as dust masks that are specially designed to filter out microscopic particles injury.







- **Battery tools do not have to be plugged into an electrical outlet; therefore, they are always in operating condition. Be aware of possible hazards when not using your battery tool or when changing accessories.** Following this rule will reduce the risk of electric shock, fire, or serious personal injury.
- **Do not place battery tools or their batteries near fire or heat.** This will reduce the risk of explosion and possibly injury.
- **Do not crush, drop or damage battery pack. Do not use a battery pack or charger that has been dropped or received a sharp blow.** A damaged battery is subject to explosion. Properly dispose of a dropped or damaged battery immediately.
- **Batteries can explode in the presence of a source of ignition, such as a pilot light.** To reduce the risk of serious personal injury, never use any cordless product in the presence of open flame. An exploded battery can propel debris and chemicals. If exposed, flush with water immediately.
- **Do not charge battery tool in a damp or wet location.** Following this rule will reduce the risk of electric shock.
- **For best results, your battery tool should be charged in a location where the temperature is more than 50°F but less than 100°F.** To reduce the risk of serious personal injury, do not store outside or in vehicles.
- **Under extreme usage or temperature conditions, battery leakage may occur. If liquid comes in contact with your skin, wash immediately with soap and water. If liquid gets into your eyes, flush them with clean water for at least 10 minutes, then seek immediate medical attention.** Following this rule will reduce the risk of serious personal injury.
- **Save these instructions.** Refer to them frequently and use them to instruct others who may use this tool. If you loan someone this tool, loan them these instructions also.

SYMBOLS

The following signal words and meanings are intended to explain the levels of risk associated with this product.

SYMBOL	SIGNAL	MEANING
	DANGER:	Indicates an imminently hazardous situation, which, if not avoided, will result in death or serious injury.
	WARNING:	Indicates a potentially hazardous situation, which, if not avoided, could result in death or serious injury.
	CAUTION:	Indicates a potentially hazardous situation, which, if not avoided, may result in minor or moderate injury.
	NOTICE:	(Without Safety Alert Symbol) Indicates important information not related to an injury hazard, such as a situation that may result in property damage.

Some of the following symbols may be used on this product. Please study them and learn their meaning. Proper interpretation of these symbols will allow you to operate the product better and safer.

SYMBOL	NAME	DESIGNATION/EXPLANATION
	Safety Alert	Indicates a potential personal injury hazard.
	Read Operator's Manual	To reduce the risk of injury, user must read and understand operator's manual before using this product.
	Eye Protection	Always wear eye protection with side shields marked to comply with ANSI Z87.1.
	Eye and Hearing Protection	Always wear eye protection with side shields marked to comply with ANSI Z87.1 as well as hearing protection when operating this equipment.
	Wet Conditions Alert	Do not expose to rain or use in damp locations.
	Recycle Symbol	This product uses lithium-ion (Li-ion) batteries. Local, state or federal laws may prohibit disposal of batteries in ordinary trash. Consult your local waste authority for information regarding available recycling and/or disposal options.
V	Volts	Voltage
min	Minutes	Time
==	Direct Current	Type or a characteristic of current
n ₀	No Load Speed	Rotational speed, at no load
.../min	Per Minute	Revolutions, strokes, surface speed, orbits etc., per minute

FEATURES

PRODUCT SPECIFICATIONS

Grinding Wheel Capacity.....4-1/2 in.
Motor..... 18 Volt DC

No Load Speed 9,000 /min. (RPM)
Spindle Thread 5/8 in. x 11 UNC

KNOW YOUR ANGLE GRINDER

See Figure 1, page 11.

The safe use of this product requires an understanding of the information on the product and in this operator's manual as well as a knowledge of the project you are attempting. Before use of this product, familiarize yourself with all operating features and safety rules.

OVERLOAD LED

The overload LED will flash when the grinder nears overload condition. To avoid overload, apply less pressure on the grinder or discontinue use.

OVERLOAD PROTECTION

Your tool has built-in protection to protect the motor during overloading. When the tool is forced or the motor is overloaded, the grinder will automatically shut off. **Do not force the tool.**

NOTE: If the grinder stops due to the overload protection feature, turn the tool off and back on to continue use.

ON/OFF SWITCH

Use the on/off switch to turn the tool on and off.

SIDE HANDLE

The side handle can be installed on the top, left, or right side of the grinder for stabilization and must be used during all operations.

SPINDLE LOCK

The spindle lock secures the spindle so that only one wrench is needed to change the grinding wheel.

TOOLLESS GUARD

A toolless guard deflects sparks and metal chips during use.

ASSEMBLY

UNPACKING

This product requires assembly.

- Carefully remove the tool and any accessories from the box. Make sure that all items listed in the packing list are included.

WARNING:

Do not use this product if any parts on the Includes List are already assembled to your product when you unpack it. Parts on this list are not assembled to the product by the manufacturer and require customer installation. Use of a product that may have been improperly assembled could result in serious personal injury.

- Inspect the tool carefully to make sure no breakage or damage occurred during shipping.
- Do not discard the packing material until you have carefully inspected and satisfactorily operated the tool.
- If any parts are damaged or missing, please call 1-866-539-1710 for assistance.

WARNING:

If any parts are damaged or missing do not operate this product until the parts are replaced. Use of this product with damaged or missing parts could result in serious personal injury.

WARNING:

Do not attempt to modify this product or create accessories not recommended for use with this product. Any such alteration or modification is misuse and could result in a hazardous condition leading to possible serious personal injury.

WARNING:

To prevent accidental starting that could cause serious personal injury, always remove the battery pack from the product when assembling parts.

INSTALLING GRINDING WHEEL

See Figure 2, page 11.

DANGER:

Use ONLY Type 27 depressed center grinding wheels (such as the one provided with this product). NEVER attach a Type 1 straight or cut-off wheel to this angle grinder. Use for any other purpose is not recommended and creates a hazard, which will result in serious injury.

TYPE 27 – OK TO USE



TYPE 1 – DO NOT USE



ASSEMBLY

DANGER:

Never attach a wood cutting or carving blade of any type to this grinder. It is only designed for grinding and sanding. Use for any other purpose is not recommended and creates a hazard, which will result in serious injury.

WARNING:

Thoroughly inspect a new grinding wheel before you install it on the grinder.

- Tap lightly around the wheel using a wooden hammer.
- Listen carefully to the resulting sounds. Places with fissures or cracks will result in a different sound.

Do not use a wheel containing fissures or cracks.

When you install a new grinding wheel, carry out a no load revolution test of approximately one minute with the grinding wheel facing a safe direction, i.e., away from people or objects.

- Depress the spindle lock button and rotate the clamp nut until the spindle locks.
-

NOTICE:

To prevent damage to the spindle or spindle lock, always allow motor to come to a complete stop before engaging spindle lock.

- Loosen and remove the clamp nut from the spindle. Do not remove the disc flange.
-

OPERATION

WARNING:

Do not allow familiarity with this product to make you careless. Remember that a careless fraction of a second is sufficient to inflict serious injury.

WARNING:

Always wear eye protection with side shields marked to comply with ANSI Z87.1, along with hearing protection. Failure to do so could result in objects being thrown into your eyes and other possible serious injuries.

- Make sure the flats on the bottom of the disc flange are engaged with the flats on the spindle.
 - Place the grinding wheel over the spindle.
-

WARNING:

Always install a grinding wheel with the depressed center against the disc flange. Failure to do so will cause the grinding wheel to crack when tightening the clamp nut. This could result in serious personal injury because of loose particles breaking off and being thrown from the grinder. Do not overtighten.

- Thread the clamp nut on the spindle with the flat side of the nut facing up.
 - Fit the raised, small diameter portion of the clamp nut into the hole in the wheel and finger tighten.
 - Depress the spindle lock button and rotate the wheel clockwise until the spindle locks in position.
 - Tighten the clamp nut securely with the wrench provided. Do not overtighten.
-

INSTALLING THE SIDE HANDLE

See Figure 3, page 11.

WARNING:

The side handle must always be used to help prevent loss of control and possible serious injury.

The side handle can be installed on the top, left, or right side of the grinder, depending on operator preference.

- Insert the side handle into the desired operating position.
 - Turn the side handle clockwise to securely tighten.
-

WARNING:

Do not use any attachments or accessories not recommended by the manufacturer of this product. The use of attachments or accessories not recommended can result in serious personal injury.

APPLICATIONS

You may use this product for the purpose listed below:

- Grinding metals
 - Sanding wood or metal surfaces
-

WARNING:

Battery products are always in operating condition. Therefore, the on/off switch should always be in the **OFF** position when not in use or carrying at your side.

OPERATION

INSTALLING/REMOVING BATTERY PACK

See Figure 4, page 11.

To install:

- Place the on/off switch in the **OFF** position.
NOTE: If the on/off switch is in the **ON** position when the battery is installed, the overload LED will flash and the tool will not function. If this occurs, turn the tool off and back on to begin use.
- Insert the battery pack.
- Make sure the latches on each side of the battery pack snap in place and that battery pack is secured in the product before beginning operation.

To remove:

- Depress the latches on each side of the battery pack.

STARTING/STOPPING THE GRINDER

See Figure 5, page 11.

- To turn the angle grinder on, push the on/off switch forward to the **ON** position. To lock the grinder in the **ON** position, depress the front of the switch.
- To stop the grinder, place the on/off switch in the **OFF** position. If the switch is in the locked position, depress the rear of the switch.

NOTICE:

Never cover air vents. They must always be open for proper motor cooling.

POSITIONING THE GUARD

See Figures 6 - 8, page 12.

The guard on the grinder should be correctly positioned depending on which side the handle is mounted. Never use the grinder without the guard correctly in place.

WARNING:

Never place the guard so that it is in front of the grinder. This could result in serious injury because sparks and loose particles thrown from the grinding wheel would be directed toward the operator. Always place the guard in the correct location as shown.

To reposition the guard:

- Remove the battery pack.
- Depress lever and rotate the guard to its correct position as shown.
NOTE: Be sure the raised ridge on the guard is seated in the groove on the bearing cap. Never use the grinder without the guard in place and properly adjusted.

OPERATING THE GRINDER

See Figure 9, page 12.

Always carefully select and use grinding wheels that are recommended for the material to be ground. Make sure that the minimum operating speed of any accessory wheel selected is 9,000 /min. or more. The grinding wheel provided with the grinder is suitable for grinding welds, preparing surfaces to be welded, grinding structural steel, and grinding stainless steel.

To operate the grinder:

- Secure all work in a vise or clamp to a workbench.
-

DANGER:

Never use the grinder with the guard removed. It has been designed for use only with the guard installed. Attempting to use grinder with guard removed will result in loose particles being thrown against the operator resulting in serious personal injury.

- Hold the grinder in front and away from you with both hands, keeping the grinding wheel clear of the workpiece.
 - Turn on the grinder and let the motor and grinding wheel build up to full speed.
 - Lower the grinder gradually until the grinding wheel contacts the workpiece.
 - Keep the grinder tilted at an angle from 5 to 15 degrees from the work surface.
-

WARNING:

To prevent loss of control and possible serious personal injury, always operate the grinder with both hands, keeping one hand on the side handle.

- Move the grinder continuously at a steady, consistent pace.
-

NOTICE:

If the grinder is held in one spot too long, it will gouge and cut grooves in the workpiece. If the grinder is held at too sharp an angle, it will also gouge the workpiece because of concentration of pressure on a small area.

- Use just enough pressure to keep the grinder from chattering or bouncing. When too much pressure is applied, the overload LED will flash. If the pressure isn't relieved, the tool will automatically shut off.

NOTE: Heavy pressure will decrease the grinder's speed and put a strain on the motor. Normally the weight of the tool alone is adequate for most grinding jobs. Use light pressure when grinding jagged edges or loose bolts where there is the potential for the grinder to snag on the metal edge.

- Lift the grinder away from the workpiece before turning off the grinder.

MAINTENANCE

WARNING:

When servicing, use only identical replacement parts. Use of any other part could create a hazard or cause product damage.

WARNING:

Always wear eye protection with side shields marked to comply with ANSI Z87.1, along with hearing protection. Failure to do so could result in objects being thrown into your eyes and other possible serious injuries.

WARNING:

To avoid serious personal injury, always remove the battery pack from the tool when cleaning, performing any maintenance, or when storing the tool.

GENERAL MAINTENANCE

Avoid using solvents when cleaning plastic parts. Most plastics are susceptible to damage from various types of commercial solvents and can be damaged by their use. Use clean cloths to remove dirt, dust, oil, grease, etc.

WARNING:

Do not at any time let brake fluids, gasoline, petroleum-based products, penetrating oils, etc., come in contact with plastic parts. Chemicals can damage, weaken or destroy plastic which could result in serious personal injury.

REPLACING THE GUARD

See Figure 10, page 12.

After extended use, the guard may wear and need replacing. If you drop the grinder and damage the guard it may also be necessary for you to replace it.

To replace the guard:

- Remove the battery pack from the grinder.
- Remove the clamp nut, grinding wheel, and disc flange. Refer to **Installing Grinding Wheel** earlier in this manual.
- Depress lever and rotate the old guard until the index arrows on the guard and bearing cap are aligned. Remove the old guard.
- Place the new guard on the shoulder of the bearing cap by aligning index arrows on guard and bearing cap. Press down on guard until it is fully seated.
- Depress the lever and rotate guard to the correct position. Refer to **Positioning the Guard**.
NOTE: Be sure the raised ridge on the guard is seated in the groove on the bearing cap.
- Install disc flange, grinding wheel, and clamp nut. Refer to **Installing Grinding Wheel**.
- Tighten clamp nut securely with the wrench provided.

BATTERY PACK REMOVAL AND PREPARATION FOR RECYCLING

WARNING:

Upon removal, cover the battery pack's terminals with heavy-duty adhesive tape. Do not attempt to destroy or disassemble battery pack or remove any of its components. Batteries must be recycled or disposed of properly. Also, never touch both terminals with metal objects and/or body parts as short circuit may result. Keep away from children. Failure to comply with these warnings could result in fire and/or serious injury.

NOTE: Figures (illustrations) start on page 11.

This product has a 90-Day Satisfaction Guarantee Policy, as well as a Three-year Limited Warranty. For Warranty and Policy details, please go to www.RIDGID.com or call (toll free) 1-866-539-1710.

AVERTISSEMENTS GÉNÉRAUX DE SÉCURITÉ EN CE QUI A TRAIT AUX OUTILS ÉLECTRIQUES



AVERTISSEMENT

Lire tous les avertissements et toutes les instructions.

Ne pas suivre l'ensemble des avertissements et des instructions peut entraîner une électrocution, un incendie ou des blessures graves.

Conserver les avertissements et les instructions à des fins de référence ultérieure. Le terme « outil motorisé », utilisé dans tous les avertissements ci-dessous désigne tout outil fonctionnant sur secteur (câblé) ou sur piles (sans fil).

SÉCURITÉ DU LIEU DE TRAVAIL

- **Garder le lieu de travail propre et bien éclairé.** Les endroits encombrés ou sombres sont propices aux accidents.
- **Ne pas utiliser d'outils électriques dans des atmosphères explosives, par exemple en présence de liquides, gaz ou poussières inflammables.** Les outils électriques produisent des étincelles risquant d'enflammer les poussières ou vapeurs.
- **Garder les enfants et badauds à l'écart pendant l'utilisation d'un outil électrique.** Les distractions peuvent causer une perte de contrôle.

SÉCURITÉ ÉLECTRIQUE

- **Les fiches des outils électriques doivent correspondre à la prise secteur utilisée. Ne jamais modifier la fiche, de quelque façon que ce soit. Ne jamais utiliser d'adaptateurs de fiche avec des outils mis à la terre.** Les fiches et prises non modifiées réduisent le risque de choc électrique.
- **Éviter tout contact du corps avec des surfaces mises à la terre, telles que tuyaux, radiateurs, cuisinières et réfrigérateurs.** Le risque de choc électrique est accru lorsque le corps est mis à la terre.
- **Ne pas exposer les outils électriques à l'eau ou l'humidité.** La pénétration d'eau dans ces outils accroît le risque de choc électrique.
- **Ne pas maltraiter le cordon d'alimentation. Ne jamais utiliser le cordon d'alimentation pour transporter l'outil et ne jamais débrancher ce dernier en tirant sur le cordon. Garder le cordon à l'écart de la chaleur, de l'huile, des objets tranchants et des pièces en mouvement.** Un cordon endommagé ou emmêlé accroît le risque de choc électrique.
- **Pour les travaux à l'extérieur, utiliser un cordon spécialement conçu à cet effet.** Utiliser un cordon conçu pour l'usage extérieur pour réduire les risques de choc électrique.
- **S'il est nécessaire d'utiliser l'outil électrique dans un endroit humide, employer un dispositif interrupteur de défaut à la terre (GFCI).** L'utilisation d'un GFCI réduit le risque de décharge électrique.
- **Pour utiliser l'appareil avec des piles au lithium-ion de 18 V, consulter le supplément de raccordement pour chargeur/outils/piles/appareil n° 988000-302.**

SÉCURITÉ PERSONNELLE

- **Rester attentif, prêter attention au travail et faire preuve de bon sens lors de l'utilisation de tout outil électrique. Ne pas utiliser cet outil en état de fatigue ou sous l'influence de l'alcool, de drogues ou de médicaments.** Un moment d'inattention pendant l'utilisation d'un outil électrique peut entraîner des blessures graves.

- **Utiliser l'équipement de sécurité. Toujours porter une protection oculaire.** L'équipement de sécurité, tel qu'un masque filtrant, de chaussures de sécurité, d'un casque ou d'une protection auditive, utilisé dans des conditions appropriées réduira le risque de blessures.
- **Éviter les démarrages accidentels. S'assurer que le commutateur est en position d'arrêt avant de brancher l'outil.** Porter un outil avec le doigt sur son commutateur ou brancher un outil dont le commutateur est en position de marche peut causer un accident.
- **Retirer les clés de réglage avant de mettre l'outil en marche.** Une clé laissée sur une pièce rotative de l'outil peut causer des blessures.
- **Ne pas travailler hors de portée. Toujours se tenir bien campé et en équilibre.** Ceci permettra de mieux contrôler l'outil en cas de situation imprévue.
- **Porter une tenue appropriée. Ne porter ni vêtements amples, ni bijoux. Garder les cheveux, les vêtements et les gants à l'écart des pièces en mouvement.** Les vêtements amples, bijoux et cheveux longs peuvent se prendre dans les pièces en mouvement.
- **Si les outils sont équipés de dispositifs de dépoussiérage, s'assurer qu'ils sont connectés et correctement utilisés.** L'usage de ces dispositifs de dépoussiérage peut réduire les dangers présentés par la poussière.
- **Ne porter ni vêtements amples, ni bijoux. Attacher ou couvrir les cheveux longs.** Les vêtements amples, bijoux et cheveux longs peuvent se prendre dans les ouïes d'aération.
- **Ne pas utiliser l'outil sur une échelle ou un support instable.** Une bonne tenue et un bon équilibre permettent de mieux contrôler l'outil en cas de situation imprévue.

UTILISATION ET ENTRETIEN DES OUTILS ÉLECTRIQUES

- **Ne pas forcer l'outil. Utiliser l'outil approprié pour l'application.** Un outil approprié exécutera le travail mieux et de façon moins dangereuse s'il est utilisé dans les limites prévues.
- **Ne pas utiliser l'outil si le commutateur ne permet pas de le mettre en marche ou de l'arrêter.** Tout outil qui ne peut pas être contrôlé par son commutateur est dangereux et doit être réparé.
- **Débrancher l'outil et/ou retirer le bloc-piles avant d'effectuer des réglages, de changer d'accessoire ou de remiser l'outil.** Ces mesures de sécurité préventives réduisent les risques de démarrage accidentel de l'outil.
- **Ranger les outils motorisés hors de la portée des enfants et ne laisser personne n'étant pas familiarisé avec l'outil ou ces instructions utiliser l'outil.** Dans les mains de personnes n'ayant pas reçu des instructions adéquates, les outils sont dangereux.
- **Entretien des outils motorisés. Vérifier qu'aucune pièce mobile n'est mal alignée ou bloquée, qu'aucune pièce n'est brisée et s'assurer qu'aucun autre problème ne risque d'affecter le bon fonctionnement de l'outil. En cas de dommages faire réparer l'outil avant de l'utiliser de nouveau.** Beaucoup d'accidents sont causés par des outils mal entretenus.
- **Garder les outils bien affûtés et propres.** Des outils correctement entretenus et dont les tranchants sont bien affûtés risquent moins de se bloquer et sont plus faciles à contrôler.

AVERTISSEMENTS GÉNÉRAUX DE SÉCURITÉ EN CE QUI A TRAIT AUX OUTILS ÉLECTRIQUES

- **Utiliser l'outil, les accessoires et embouts, etc. conformément à ces instructions pour les applications pour lesquelles ils sont conçus, en tenant compte des conditions et du type de travail à exécuter.** L'usage d'un outil motorisé pour des applications pour lesquelles il n'est pas conçu peut être dangereux.

UTILISATION ET ENTRETIEN DE LA PILE

- **Ne recharger qu'avec l'appareil spécifié par le fabricant.** Un chargeur approprié pour un type de pile peut créer un risque d'incendie s'il est utilisé avec un autre type de pile.
- **Utiliser exclusivement le bloc-pile spécifiquement indiqué pour l'outil.** L'usage de tout autre bloc peut créer un risque de blessures et d'incendie.
- **Lorsque le bloc-piles n'est pas en usage, le garder à l'écart d'articles tels qu'attaches trombones, pièces de monnaie, clous, vis ou autres petits objets métalliques risquant d'établir le contact entre les deux bornes.** La mise en court-

circuit des bornes de piles peut causer des étincelles, des brûlures ou un incendie.

- **En cas d'usage abusif, du liquide peut s'échapper des piles. Éviter tout contact avec ce liquide. En cas de contact accidentel, rincer immédiatement les parties atteintes avec de l'eau. En cas d'éclaboussure dans les yeux consulter un médecin.** Le liquide s'échappant des piles peut causer des irritations ou des brûlures.

DÉPANNAGE

- **Les réparations doivent être confiées à un technicien qualifié, utilisant exclusivement des pièces identiques à celles d'origine.** Ceci assurera le maintien de la sécurité de l'outil.
- **Utiliser exclusivement des pièces identiques à celles d'origine pour les réparations. Se conformer aux instructions de la section Entretien de ce manuel.** L'usage de pièces non autorisées ou le non-respect des instructions peut présenter des risques de choc électrique ou de blessures.

AVERTISSEMENTS DE SÉCURITÉ RELATIFS AU MEULEUSE D'ANGLE

RÈGLES DE SÉCURITÉ GÉNÉRALES POUR LE MEULAGE, PONÇAGE, BROSSAGE MÉTALLIQUE ET POLISSAGE DES PIÈCES

- **Cet outil électrique est conçu pour servir de meuleuse, de ponceuse, de brosse métallique ou de polisseuse. Consulter tous les avertissements et toutes les instructions, les illustrations et les précisions fournis avec cet outil électrique.** Ne pas suivre l'ensemble des instructions décrites ci-dessous peut entraîner une électrocution, un incendie ou des blessures graves.
- **Il n'est pas recommandé d'utiliser cet outil électrique pour couper des pièces.** Le fait d'utiliser l'outil pour effectuer des tâches pour lesquelles il n'est pas conçu peut présenter du danger et entraîner des blessures.
- **Ne pas utiliser des accessoires qui ne sont pas spécialement conçus pour le modèle d'outil ou qui ne sont pas recommandés par le fabricant.** Le simple fait qu'un accessoire peut s'ajuster sur l'outil électrique ne signifie pas qu'il peut être utilisé en toute sécurité.
- **La vitesse nominale de l'accessoire doit au moins être égale à la vitesse maximale indiquée sur l'outil électrique.** Les accessoires qui sont utilisés à une vitesse supérieure à leur VITESSE NOMINALE peuvent se briser et se détacher.
- **Le diamètre extérieur et l'épaisseur de l'accessoire doivent être conformes à la capacité de l'outil électrique.** Il est impossible d'envelopper ou de contrôler adéquatement un accessoire de dimension inappropriée.
- **La taille de l'arbre des meules, des brides, des plateaux porte-disque ou de tout autre accessoire doit convenir parfaitement à la broche de l'outil électrique.** Si les accessoires utilisés sont dotés d'alésages centraux qui ne conviennent pas à la pièce de montage de l'outil, ils se déstabiliseront, vibreront de façon excessive et pourront causer une perte de contrôle.

- **Ne pas utiliser un accessoire endommagé. Inspecter l'accessoire avant chaque utilisation afin de s'assurer que les meules, par exemple, sont exemptes d'ébréchures et de fissures, que le plateau porte-disque est exempt de fissures et qu'il n'est pas usé de façon excessive, et que la brosse métallique ne comprend pas de fils détachés ou craquelés. Si l'outil électrique ou l'accessoire est échappé, s'assurer qu'il n'est pas endommagé ou installer un autre accessoire. Après avoir effectué cette opération, se tenir à distance de l'accessoire en rotation et faire fonctionner l'outil à sa vitesse à vide maximale pendant une minute.** S'assurer que personne ne se tient à proximité de l'outil. Les accessoires endommagés se brisent généralement lors de cette vérification.
- **Porter de l'équipement de protection de qualité professionnelle. Selon le type d'opération, porter un masque de protection ou des lunettes de sécurité. Au besoin, porter également un masque antipoussières, un protecteur d'oreille, des gants et un tablier d'atelier résistant aux petits fragments abrasifs ou aux fragments provenant des pièces à travailler.** La protection oculaire utilisée doit résister aux débris projetés lors des différentes opérations. Le masque anti-poussières et le masque filtrant doivent filtrer les particules produites lors de l'opération. Une exposition prolongée à un bruit fort peut entraîner une perte auditive.
- **S'assurer que personne ne se tient à proximité du lieu de travail. Toute personne qui entre sur le lieu de travail doit porter l'équipement de protection requis.** Des fragments provenant de la pièce à travailler ou d'un accessoire brisé peuvent être projetés et causer des blessures, même à des personnes se tenant à une certaine distance du lieu de travail immédiat.
- **Tenir l'outil par ses surfaces de préhension isolées lors des opérations pendant lesquelles l'accessoire de coupe peut entrer en contact avec du câblage caché ou avec son propre cordon d'alimentation.** Le contact d'un accessoire de coupe avec un fil sous tension « électrifié » les pièces métalliques exposées de l'outil et peut électrocuter l'utilisateur.

AVERTISSEMENTS DE SÉCURITÉ RELATIFS AU MEULEUSE D'ANGLE

- **Tenir le cordon loin de l'accessoire en rotation.** En cas de perte de contrôle, le cordon peut être coupé ou accroché, et la main ou le bras de l'utilisateur risquent d'entrer en contact avec l'accessoire en rotation.
- **Ne jamais déposer l'outil électrique avant l'arrêt complet de l'accessoire.** L'accessoire en rotation peut attraper la surface et occasionner une perte de contrôle.
- **Ne jamais laisser l'outil électrique fonctionner en le transportant à ses côtés.** L'accessoire en rotation peut s'accrocher accidentellement aux vêtements et entrer en contact avec l'utilisateur.
- **Nettoyer régulièrement les événements d'aération de l'outil électrique.** Le ventilateur du moteur aspire la poussière dans le logement et crée une accumulation excessive de métal fritté, ce qui peut causer un danger électrique.
- **Ne pas faire fonctionner l'outil électrique à proximité de matériaux inflammables.** Les étincelles peuvent enflammer ces matériaux.
- **Ne pas utiliser d'accessoires qui nécessitent des liquide de refroidissement.** L'utilisation d'eau ou d'un autre liquide de refroidissement peut entraîner une électrocution ou un choc électrique.

REBONDS ET AVERTISSEMENTS CONNEXES

Un rebond est une réaction soudaine attribuable au pincement ou à l'accrochage de la meule, du plateau porte-disque, de la brosse ou de tout autre accessoire en rotation. Un pincement ou un accrochage provoque le blocage immédiat de l'accessoire en rotation qui, à son tour, entraîne l'outil incontrôlé dans le sens opposé à la rotation de l'accessoire, à l'endroit du coincement.

Par exemple, si une meule abrasive est accrochée ou pincée par la pièce à travailler, le rebord de la meule qui entre dans le point de pincement peut s'enfoncer dans la surface du matériau, éjectant la meule de la pièce à travailler ou la faisant rebondir, vers l'utilisateur ou loin de lui, selon le sens du mouvement de la meule au point de pincement. Dans ces conditions d'utilisation, les meules abrasives peuvent également se briser.

Un rebond est attribuable à une mauvaise utilisation de l'outil ou au non-respect des procédures ou des conditions d'utilisation. Pour empêcher les rebonds, respecter les directives décrites ci-dessous.

- **Tenir fermement l'outil électrique et placer le corps et les mains de manière à pouvoir résister aux rebonds. Toujours utiliser la poignée auxiliaire, s'il y en a une, pour assurer un contrôle optimal en cas de rebond ou de réaction de couple lors du démarrage de l'outil.** L'utilisateur peut contrôler les rebonds et les réactions de couple s'il respecte les directives prescrites.
- **Ne jamais placer les mains à proximité de l'accessoire en rotation.** En cas de rebond, l'accessoire peut dévier sur celles-ci.
- **Ne pas positionner le corps à l'endroit où sera entraîné l'outil électrique si un rebond se produit.** Un rebond entraînera l'outil dans le sens opposé au mouvement de la meule, à l'endroit de l'accrochage.
- **Faire preuve d'une extrême prudence au moment d'utiliser l'outil sur des coins ou des rebords tranchants. Éviter de faire rebondir ou coincer l'accessoire.** Les coins, les rebords tranchants et les surfaces qui tressautent ont tendance à s'accrocher à la pièce en rotation et à causer une perte de contrôle ou des rebonds.

- **Ne pas fixer une lame de sculpteur pour scie à chaîne ou une lame de scie dentée.** Ces deux types de lame occasionnent de nombreux rebonds et des pertes de contrôle fréquentes.

RÈGLES DE SÉCURITÉ PARTICULIÈRES POUR LE MEULAGE DES PIÈCES

- **Utiliser seulement les types de meule recommandés pour cet outil électrique et le garde-meule spécialement conçu pour la meule utilisée.** Il est impossible d'envelopper de façon adéquate et sécuritaire les meules qui ne sont pas spécialement conçues pour l'outil électrique.
- **Le garde-meule doit être fixé solidement à l'outil électrique et positionné de manière à garantir une sécurité optimale; il importe donc de diriger le moins possible la meule vers l'utilisateur.** Le garde meule aide à protéger l'utilisateur des fragments qui peuvent se détacher de la meule et du contact accidentel avec la meule.
- **Utiliser seulement les meules pour effectuer des opérations pour lesquelles elles sont conçues. Par exemple, ne pas meuler avec le côté d'une meule à tronçonner. Les meules à tronçonner abrasives doivent être utilisées pour la rectification périphérique. Le fait d'appliquer une force latérale sur les meules peut provoquer leur bris.**
- **Toujours utiliser des brides de meule non endommagées de formes et de dimensions convenables pour la meule choisie.** Les brides de meule adéquates soutiennent la meule, ce qui minimise les risques de bris de celle-ci. Les brides de meules à tronçonner peuvent différer des brides de meules standards.
- **Ne pas utiliser de meules usées qui proviennent d'outils électriques de plus grandes dimensions.** Les meules conçues pour des outils électriques de plus grandes dimensions ne conviennent pas à la vitesse plus élevée des outils de plus petites dimension et peuvent éclater.

RÈGLES DE SÉCURITÉ GÉNÉRALES POUR LE PONÇAGE DES PIÈCES

- **Ne pas utiliser un papier pour disque abrasif surdimensionné. Suivre les recommandations du fabricant au moment de choisir le papier abrasif.** Un papier abrasif qui excède la surface du disque de ponçage présente un danger de lacération et peut s'accrocher, se déchirer, ou entraîner un rebond.

RÈGLES DE SÉCURITÉ GÉNÉRALES POUR LE POLISSAGE DES PIÈCES

- **Ne permettre à aucune partie lâche de la coiffe à polir ou à ses filaments de tourner librement. Enlever ou couper tous les filaments libres.** Les filaments libres et en rotation peuvent s'empêtrer dans les doigts ou s'accrocher à la pièce à travailler.

RÈGLES DE SÉCURITÉ PARTICULIÈRES POUR OPÉRATIONS DE LA BROSSÉ MÉTALLIQUE

- **Porter une attention particulière à la brosse métallique, dont les poils peuvent être projetés même pendant une opération régulière. Éviter de surcharger les poils en appuyant sur la brosse de manière excessive.** Les poils de la brosse métallique peuvent pénétrer facilement dans les vêtements légers ou la peau.
- **S'il est recommandé d'installer un dispositif protecteur pour utiliser une brosse métallique, s'assurer qu'il n'entre pas en contact avec la brosse.** Le diamètre de la brosse métallique peut augmenter en raison de la charge et de la force centrifuge.

AVERTISSEMENTS DE SÉCURITÉ RELATIFS AU MEULEUSE D'ANGLE

RÈGLES SUPPLÉMENTAIRES DE SÉCURITÉ

- **Toujours utiliser une garde appropriée pour la meule.** Cette garde protège l'opérateur des fragments de meule brisés et projetés.
- **Apprendre à connaître l'outil. Lire attentivement le manuel d'utilisation. Apprendre les applications et les limites de l'outil, ainsi que les risques spécifiques relatifs à son utilisation.** Le respect de cette consigne réduira les risques d'incendie, de choc électrique et de blessures graves.
- **Toujours porter une protection oculaire avec écrans latéraux certifiée conforme à la norme ANSI Z87.1.** Le respect de cette règle réduira les risques de blessures graves.
- **Protection respiratoire. Porter un masque facial ou un masque antipoussière si le travail produit de la poussière.** Le respect de cette consigne réduira les risques de blessures graves.
- **Protection auditive. Porter une protection auditive lors de l'utilisation prolongée.** Le respect de cette règle réduira les risques de blessures graves.
- **Les outils fonctionnant sur piles n'ayant pas besoin d'être branchés sur une prise secteur, ils sont toujours en état de fonctionnement. Tenir compte des dangers possibles lorsque l'outil n'est pas en usage et lors du remplacement des piles.** Le respect de cette consigne réduira les risques d'incendie, de choc électrique et de blessures graves.
- **Ne pas placer les outils électriques sans fil ou leurs piles à proximité de flammes ou d'une source de chaleur.** Ceci réduira les risques d'explosion et de blessures.
- **Ne pas écraser, faire tomber ou endommager le bloc-piles. Ne jamais utiliser un bloc-piles ou un chargeur qui est tombé, a été écrasé, a reçu un choc violent ou a été endommagé de quelque façon que ce soit.** Une pile endommagée risque d'exploser. Éliminer immédiatement toute pile endommagée, selon une méthode appropriée.
- **Les piles peuvent exploser en présence d'une source d'allumage, telle qu'une veilleuse.** Pour réduire les risques de blessures graves, ne jamais utiliser un appareil sans fil, quel qu'il soit, en présence d'une flamme vive. En explosant, une pile peut projeter des débris et des produits chimiques. En cas d'exposition, rincer immédiatement les parties atteintes avec de l'eau.
- **Ne pas recharger un outil fonctionnant sur piles dans un endroit humide ou mouillé.** Le respect de cette règle réduira les risques de choc électrique.
- **Pour un résultat optimal, les piles de l'outil doivent être rechargées dans un local où la température est de 10 à 38 °C (50 à 100 °F).** Ne pas ranger l'outil à l'extérieur ou dans un véhicule.
- **Si l'outil est utilisé de façon intensive ou sous des températures extrêmes, des fuites de pile peuvent se produire. En cas de contact du liquide avec la peau, rincer immédiatement la partie atteinte avec de l'eau. En cas d'éclaboussure dans les yeux, les rincer à l'eau fraîche pendant au moins 10 minutes, puis contacter immédiatement un médecin.** Le respect de cette règle réduira les risques de blessures graves.
- **Conserver ces instructions.** Les consulter fréquemment et les utiliser pour instruire les autres utilisateurs éventuels. Si cet outil est prêté, il doit être accompagné de ces instructions, afin d'éviter un usage incorrect et d'éventuelles blessures.

PROPOSITION 65 DE L'ÉTAT DE CALIFORNIE



AVERTISSEMENT :

Ce produit et la poussière dégagée lors du ponçage, sciage, meulage, perçage de certains matériaux et lors d'autres opérations de construction peuvent contenir des produits chimiques, notamment du plomb qui, selon l'État de la Californie, peuvent causer le cancer, des anomalies congénitales et d'autres dommages au système reproducteur. ***Bien se laver les mains après toute manipulation.***




Voici certains exemples de ces produits chimiques :

- le plomb contenu dans la peinture au plomb,
- la silice cristalline contenue dans les briques, le béton et d'autres produits de maçonnerie, ainsi que
- l'arsenic et le chrome contenus dans le bois de construction traité par produits chimiques.







Le risque présenté par l'exposition à ces produits varie en fonction de la fréquence de ce type de travail. Pour réduire l'exposition, travailler dans un endroit bien aéré et utiliser des équipements de sécurité approuvés tels que masques antipoussières spécialement conçus pour filtrer les particules microscopiques.

SYMBOLES

Les termes de mise en garde suivants et leur signification ont pour but d'expliquer le degré de risques associé à l'utilisation de ce produit.

SYMBOLE	SIGNAL	SIGNIFICATION
	DANGER :	Indique une situation extrêmement dangereuse qui, si elle n'est pas évitée, aura pour conséquences des blessures graves ou mortelles.
	AVERTISSEMENT :	Indique une situation potentiellement dangereuse qui, si elle n'est pas évitée, pourrait entraîner des blessures graves ou mortelles.
	ATTENTION :	Indique une situation potentiellement dangereuse qui, si elle n'est pas évitée, pourrait entraîner des blessures légères ou de gravité modérée.
	AVIS :	(Sans symbole d'alerte de sécurité) Indique une information importante ne concernant pas un risque de blessure comme une situation pouvant occasionner des dommages matériels.

Certains des symboles ci-dessous peuvent être utilisés sur produit. Veiller à les étudier et à apprendre leur signification. Une interprétation correcte de ces symboles permettra d'utiliser produit plus efficacement et de réduire les risques.

SYMBOLE	NOM	DÉSIGNATION / EXPLICATION
	Symbole d'alerte de sécurité	Indique un risque de blessure potentiel.
	Lire manuel d'utilisation	Pour réduire les risques de blessures, l'utilisateur doit lire et veiller à bien comprendre le manuel d'utilisation avant d'utiliser ce produit.
	Protection oculaire	Toujours porter une protection oculaire avec écrans latéraux certifiée conforme à la norme ANSI Z87.1.
	Protection oculaire et auditive	Toujours porter une protection oculaire avec écrans latéraux certifiée conforme à la norme ANSI Z87.1 ainsi qu'un protection auditive.
	Avertissement concernant l'humidité	Ne pas exposer à la pluie ou l'humidité.
	Symbole de recyclage	Ce produit utilise les piles de lithium-ion (Li-ion). Les réglementations locales ou gouvernementales peuvent interdire de jeter les piles dans les ordures ménagères. Consulter les autorités locales compétentes pour les options de recyclage et/ou l'élimination.
V	Volts	Tension
min	Minutes	Temps
==	Courant continu	Type ou caractéristique du courant
n_0	Vitesse à vide	Vitesse de rotation à vide
.../min	Par minute	Tours, coups, vitesse périphérique, orbites, etc., par minute

CARACTÉRISTIQUES

FICHE TECHNIQUE

Taille de meule..... 114 mm (4-1/2 po)
Moteur 18 V c.c.

VEILLER À BIEN CONNAÎTRE LA MEULEUSE D'ANGLE

Voir la figure 1, page 11.

La sécurité d'utilisation de ce produit exige la compréhension des informations apposées sur l'outil et contenues dans ce manuel d'utilisation, ainsi que la connaissance du travail à exécuter. Avant d'utiliser ce produit, se familiariser avec toutes ses fonctions et règles de sécurité.

TÉMOIN DEL DE SURCHARGE

Le témoin DEL de surcharge clignotera dès que la meule subit une pression près de la condition de surcharge. Pour éviter cette surcharge, appliquer moins de pression sur la meule ou cesser de l'utiliser.

PROTECTION CONTRE LES SURCHARGES

Cet outil est équipé d'un dispositif de sécurité contre les surcharges intégré pour protéger le moteur des surcharges. L'outil arrêtera automatiquement l'outil s'il est forcé ou lors d'une surcharge du moteur. **Ne pas forcer l'outil.**

ASSEMBLAGE

DÉBALLAGE

Ce produit nécessite un assemblage.

- Avec précaution, sortir l'outil et les accessoires de la boîte. S'assurer que toutes les pièces figurant sur la liste de contrôle sont incluses.

⚠ AVERTISSEMENT :

Ne pas utiliser le produit si, en le déballant, vous constatez que des éléments figurant dans la liste d'inclut sont déjà assemblés. Certaines pièces figurant sur cette liste n'ont pas été assemblées par le fabricant et exigent une installation. Le fait d'utiliser un produit qui a été assemblé de façon inadéquate peut entraîner des blessures.

- Examiner soigneusement l'outil pour s'assurer que rien n'a été brisé ou endommagé en cours de transport.
- Ne pas jeter les matériaux d'emballage avant d'avoir soigneusement examiné l'outil et avoir vérifié qu'il fonctionne correctement.
- Si des pièces manquent ou sont endommagées, appeler le 1-866-539-1710.

⚠ AVERTISSEMENT :

Si des pièces manquent ou sont endommagées, ne pas utiliser cet outil avant qu'elles aient été remplacées. Le non-respect de cet avertissement pourrait entraîner des blessures graves.

Vitesse à vide 9 000 /min (RPM)
Diamètre de broche..... 5/8 po x 11 UNC

NOTE : Si la meule s'arrête à cause du dispositif de surcharge, éteindre puis remettre l'outil en marche et continuer l'utilisation.

COMMUTATEUR MARCHÉ/ARRÊT

Utiliser le commutateur marche/arrêt afin de mettre l'outil en marche et à l'arrêt.

POIGNÉE LATÉRALE

La poignée latérale peut être montée sur la partie supérieure de la meule, à gauche ou à droite, pour plus de stabilité et doit être utilisé pour toutes les opérations.

VERROUILLAGE DE L'AXE

Ce bouton bloque l'axe, ce qui permet de remplacer la meule avec une seule clé.

GARDE SANS OUTIL

Cette garde sans outil dévie les étincelles et la limaille pendant l'utilisation.

⚠ AVERTISSEMENT :

Ne pas essayer de modifier cet outil ou de créer des accessoires non recommandés pour l'outil. De telles altérations ou modifications sont considérées comme un usage abusif et peuvent créer des conditions dangereuses, risquant d'entraîner des blessures graves.

⚠ AVERTISSEMENT :

Ne pas brancher sur le secteur avant d'avoir terminé l'assemblage. Le non-respect de cet avertissement peut causer un démarrage accidentel, entraînant des blessures graves.

INSTALLATION/REPLACEMENT DE LA MEULE

Voir la figure 2, page 11.

⚠ DANGER :

Utiliser SEULEMENT les meules à moyeu déporté de type 27 (comme celles fournies avec le produit). Ne jamais attacher une meule de tronçonnage ni une meule de Type 1 à cette meuleuse. Ce produit est exclusivement conçue pour le meulage. Tout autre usage est déconseillé et présente un risque de blessures graves.

TYPE 27 – PRÊTES À UTILISER



TYPE 1 – NE PAS UTILISER



ASSEMBLAGE

DANGER :

Ne jamais installer de lame ou de ciseau de quelque type que ce soit sur cette meuleuse. Elle est exclusivement conçue pour le meulage et le ponçage. Tout autre usage est déconseillé et peut créer un danger de blessures graves.

AVERTISSEMENT :

Inspecter soigneusement les meules neuves avant de les installer.

- Frapper légèrement le pourtour de la meule avec un maillet en bois.
- Écouter attentivement le son produit. Le son change lorsque la meule est frappée à un endroit fissuré ou fendu.

Ne pas utiliser les meules présentant des fissures ou fêlures.

Après avoir installé une meule neuve la tester en la laissant tourner à vide pendant environ une minute, en veillant à ne pas la diriger vers des personnes ou objets.

- Appuyer sur le bouton de verrouillage de l'axe et tourner la meule dans le sens horaire jusqu'à ce que l'axe se verrouille en position.

AVIS :

Pour éviter des dommages à la broche ou au verrouillage de broche, toujours laisser le moteur s'arrêter complètement avant d'enclencher le verrouillage de broche.

- Desserrer et retirer l'écrou de l'axe. Ne pas retirer le bride circulaire.

UTILISATION

AVERTISSEMENT :

Ne pas laisser la familiarité avec l'outil faire oublier la prudence. Ne pas oublier qu'une fraction de seconde d'inattention peut entraîner des blessures graves.

AVERTISSEMENT :

Toujours porter une protection oculaire avec écrans latéraux certifiée conforme à la norme ANSI Z87.1. Si une opération dégage de la poussière, porter également un masque anti-poussière.

AVERTISSEMENT :

Ne pas utiliser d'outils ou accessoires non recommandés par le fabricant pour cet outil. L'utilisation de pièces et accessoires non recommandés peut entraîner des blessures graves.

- S'assurer que les méplats au dessous de la bride circulaire s'engagent dans ceux de l'axe.
- Placer la meule sur l'axe.

AVERTISSEMENT :

Toujours installer les meules côté concave contre la bride circulaire. Si cette précaution n'est pas prise, la meule se brisera lors du serrage de l'écrou. Ceci pourrait entraîner des blessures graves par les morceaux de meule projetés. Ne pas trop serrer.

- Visser l'écrou de serrage sur l'axe, son côté plat étant dirigé vers le haut.
- Engager la partie saillante de petit diamètre de l'écrou dans le trou de la meule et serrer à la main.
- Appuyer sur le bouton de verrouillage de l'axe et tourner la meule dans le sens horaire jusqu'à ce que l'axe se verrouille en position.
- Serrer fermement l'écrou à l'aide de la clé fournie. Ne pas trop serrer.

INSTALLATION DE LA POIGNÉE LATÉRALE

Voir la figure 3, page 11.

AVERTISSEMENT :

Elle doit toujours être utilisée pour éviter une perte de contrôle pouvant entraîner des blessures graves.

La poignée peut être montée à droite ou à gauche, selon la préférence de l'utilisateur.

- Insérer la poignée latérale dans la position d'opération désirée.
- Bien serrer en tournant la poignée dans le sens horaire.

APPLICATIONS

Cet outil ne doit être utilisé que pour les applications listées ci-dessous :

- Meulage des métaux
- Ponçage du bois ou des métaux

AVERTISSEMENT :

Les outils à piles sont toujours en état de fonctionnement. Alors, l'interrupteur ON/OFF (marche/arrêt) devrait toujours être mis à la position **OFF** (arrêt) quand l'outil n'est pas utilisé ou lors du transport.

UTILISATION

INSTALLATION/RETRAIT DU BLOC-PILES

Voir la figure 4, page 11.

Pour install :

- Régler l'interrupteur ON/OFF (marche/arrêt) à la position **OFF** (arrêt).

NOTE : Si l'interrupteur ON/OFF (marche/arrêt) est à la position **ON** (marche) lorsque la pile est installée, le témoin DEL de surcharge clignotera et l'outil ne fonctionnera pas. Si c'est le cas, éteindre l'outil et le remettre en marche pour commencer son utilisation.

- Insérer le bloc-piles.
- S'assurer que les loquets de chaque côté de la batterie s'enclenchent en place et que la batterie est bien fixée avant d'utiliser l'outil.

Pour retrait :

- Appuyer sur les loquets de chaque côté du bloc-pile.

MISE EN MARCHÉ ET ARRÊT DU MEULEUSE

Voir la figure 5, page 11.

- Mettre la meule à angle en marche, pousser sur l'interrupteur ON/OFF (marche/arrêt) vers l'avant pour le mettre à la position **ON** (marche). Pour verrouiller la meule à la position **ON** (marche), enfoncer la partie avant de l'interrupteur.
- Pour arrêter la meule, placer l'interrupteur ON/OFF (marche/arrêt) à la position **OFF** (arrêt). Si l'interrupteur est verrouillé, appuyer sur la partie arrière de l'interrupteur.

AVIS :

Ne jamais couvrir les trous d'aération. Ces derniers doivent toujours être dégagés pour permettre le refroidissement adéquat du moteur.

POSITIONNEMENT DU GARDE

Voir la figure 6, page 12.

Le garde doit être correctement installé, en fonction du côté sur lequel la poignée est montée. Ne jamais utiliser la meuleuse si le garde n'est pas correctement installée ou les flèches correctement alignées.

AVERTISSEMENT :

Ne jamais installer le garde de manière à ce qu'il se trouve sur l'avant de la meuleuse. Les étincelles et la limaille pourraient être projetées en direction de l'opérateur et le blesser sérieusement. Toujours installer le garde en position correcte, comme illustré.

Pour repositionner le garde :

- Retirer le bloc-pile.
- Appuyer sur le levier et faire tourner le garde en position correcte, comme illustré.

NOTE : S'assurer que la saillie du garde est engagée dans la rainure du chapeau de palier. Ne jamais utiliser la meuleuse sans avoir installé et ajusté le garde.

UTILISATION DE LA MEULEUSE

Voir la figure 7, page 12.

Toujours choisir et utiliser les meules recommandées pour les matériaux à travailler. S'assurer que la vitesse de fonctionnement minimum de tout accessoire à meule est de 9 000 /min. ou plus. La meule fournie avec l'outil convient au meulage des soudures, à la préparation des surfaces à souder, au meulage des structures en acier et au meulage de l'acier inoxydable.

Utilisation de la meuleuse :

- Placer la pièce à meuler dans un étau ou l'assujettir sur un établi.

DANGER :

Ne jamais utiliser la meuleuse sans le garde. Elle est conçue pour n'être utilisée qu'avec le garde en place. Si cette précaution n'est pas prise, de la limaille peut être en direction de l'opérateur et causer des blessures graves.

- Tenir la meuleuse devant soi, loin du corps, sans la laisser toucher la pièce à meuler.
- Mettre la meuleuse en marche et laisser le moteur parvenir à pleine vitesse.
- Abaisser progressivement l'outil, jusqu'à ce que la meule entre en contact avec la pièce à travailler.
- GARDER la meuleuse inclinée à un angle de 5 à 15 degrés de surface de travail.

AVERTISSEMENT :

Pour éviter la perte du contrôle et des blessures graves, toujours tenir la meuleuse à deux mains, l'une étant placée sur la poignée latérale.

- Déplacer la meuleuse continuellement, à une vitesse uniforme.

AVIS :

Si la meuleuse est maintenue trop longtemps à un endroit, elle entamera et creusera la pièce. Si la meuleuse est tenue à un angle trop prononcé elle entamera également la pièce, la pression étant concentrée sur une trop petite surface.

- Utiliser une pression juste suffisante pour empêcher l'outil de brouter ou de sautiller. Le témoin DEL de surcharge clignotera lorsque la pression appliquée devient trop intense. L'outil s'arrêtera automatiquement si cette pression excessive est maintenue.

NOTE : Une pression excessive réduirait la vitesse de rotation de la meule et imposerait une charge excessive sur le moteur. Normalement le poids de l'outil suffit pour la plupart des travaux de meulage. Utiliser une légère pression pour le meulage des bords irréguliers et des boulons desserrés qui risque de causer un blocage de la meule.

- Soulever la meuleuse de la pièce avant de l'arrêter.

ENTRETIEN

AVERTISSEMENT :

Utiliser exclusivement des pièces d'origine pour les réparations. L'usage de toute autre pièce pourrait créer une situation dangereuse ou endommager le produit.

AVERTISSEMENT :

Toujours porter une protection oculaire avec écrans latéraux certifiée conforme à la norme ANSI Z87.1, avec protection auditive. Si cette précaution n'est pas prise, des objets peuvent être projetés dans les yeux et d'autres lésions graves.

AVERTISSEMENT :

Pour empêcher un démarrage accidentel pouvant entraîner des blessures graves, toujours retirer le bloc-piles de l'outil avant tout nettoyage ou entretien.

ENTRETIEN GÉNÉRAL

Éviter d'utiliser des solvants pour le nettoyage des pièces en plastique. La plupart des matières plastiques peuvent être endommagées par divers types de solvants du commerce. Utiliser un chiffon propre pour éliminer la saleté, la poussière, l'huile, la graisse, etc.

AVERTISSEMENT :

Ne jamais laisser de liquides tels que le fluide de freins, l'essence, les produits à base de pétrole, les huiles pénétrantes, etc., entrer en contact avec les pièces en plastique. Les produits chimiques peuvent endommager, affaiblir ou détruire le plastique, ce qui peut entraîner des blessures graves.

REMPACEMENT DE LA GARDE

Voir la figure 8, page 12.

Après un certain temps, le garde peut s'user et devoir être remplacé. Si le garde est endommagé à la suite d'une chute de la meuleuse, il devra également être remplacé.

Pour remplacer le garde :

- Retirer le bloc-piles.
- Retirer l'écrou de serrage, la meule et le flasque de la meule. Voir la section **Installation de la meule** plus haut dans ce manuel.
- Appuyer sur le levier et tourner le dispositif de protection usagé jusqu'à ce la flèche du protecteur et du couvercle de palier soient alignées. Retirer le dispositif de protection usagé.
- Installer le dispositif de protection neuf sur l'épaulement du couvercle de palier en alignant la flèche du protecteur et du couvercle de palier. Appuyer sur le dispositif de protection jusqu'à ce qu'il soit bien en place.
- Appuyer sur le levier et tourner le garde en position correcte. Voir la section **Positionnement du garde**.

NOTE : S'assurer que la nervure en saillie du garde est engagée dans la rainure du chapeau de roulement.

- Installer le flasque, la meule et l'écrou de serrage. Voir la section **Installation de la meule** plus haut dans ce manuel.
- Serrer fermement l'écrou à l'aide de la clé fournie.

RETRAIT ET PRÉPARATION DU PILES POUR LE RECYCLAGE

AVERTISSEMENT :

Après avoir retiré le piles, couvrir ses bornes avec un ruban adhésif de qualité industrielle. Ne pas essayer de démonter ou détruire le piles, ni de retirer des composants quels qu'ils soient. Les piles épuisées doivent être recyclées ou éliminées selon une méthode appropriée. Ne jamais toucher les deux bornes avec des objets en métal ou une partie du corps, car cela pourrait créer un court-circuit. Garder hors de la portée des enfants. Le non-respect de ces mises en garde peut résulter en un incendie et/ou des blessures graves.

NOTE : Figures (illustrations) commençant sur 11 de page.

Ce produit est accompagné d'une politique de satisfaction de 90 jours et d'une garantie limitée de trois (3) ans. Pour obtenir les détails de la garantie et de la politique, visiter le site www.RIDGID.com ou appeler (sans frais) au 1-866-539-1710.

ADVERTENCIAS DE SEGURIDAD GENERALES PARA EL USO DE HERRAMIENTAS ELÉCTRICAS



ADVERTENCIA

Lea todas las advertencias de seguridad y las instrucciones. La inobservancia de las advertencias e instrucciones puede causar descargas eléctricas, incendios o lesiones graves.

Guarde todas las advertencias e instrucciones para futuras consultas. El término “herramienta eléctrica” empleado en todos los avisos de advertencia enumerados abajo se refiere a las herramientas eléctricas de cordón (alámbricas) y de baterías (inalámbricas).

SEGURIDAD EN EL ÁREA DE TRABAJO

- **Mantenga limpia y bien iluminada el área de trabajo.** Un área de trabajo mal despejada o mal iluminada propicia accidentes.
- **No utilice herramientas motorizadas en atmósferas explosivas, como las existentes alrededor de líquidos, gases y polvos inflamables.** Las herramientas eléctricas generan chispas que pueden encender el polvo y los vapores inflamables.
- **Mantenga alejados a los niños y circunstantes al maniobrar una herramienta eléctrica.** Toda distracción puede causar pérdida del control de la herramienta.

SEGURIDAD ELÉCTRICA

- **Las clavijas de las herramientas eléctricas deben corresponder a las tomas de corriente donde se conectan. Nunca modifique la clavija de ninguna forma. No utilice ninguna clavija adaptadora con herramientas eléctricas dotadas de contacto a tierra.** Conectando las clavijas originales en las tomas de corriente donde corresponden se disminuye el riesgo de una descarga eléctrica.
- **Evite el contacto del cuerpo con las superficies de objetos que estén haciendo tierra o estén conectados a ésta, como tuberías, radiadores, estufas y refrigeradores.** Existe un mayor riesgo de descargas eléctricas si el cuerpo está haciendo tierra.
- **No exponga las herramientas eléctricas a la lluvia ni a condiciones de humedad.** La introducción de agua en una herramienta eléctrica aumenta el riesgo de descargas eléctricas.
- **No maltrate el cordón eléctrico. Nunca utilice el cordón para trasladar, desconectar o tirar de la herramienta eléctrica. Mantenga el cordón alejado del calor, del aceite, de bordes afilados y de piezas móviles.** Los cordones eléctricos dañados o enredados aumentan el riesgo de descargas eléctricas.
- **Al utilizar una herramienta eléctrica a la intemperie, use un cordón de extensión apropiado para el exterior.** Usando un cordón adecuado para el exterior se disminuye el riesgo de descargas eléctricas.
- **Si debe operar una herramienta en lugares húmedos, use un suministro protegido por un interruptor de circuito con pérdida a tierra (GFCI).** El uso de un GFCI reduce el riesgo de descargas eléctricas.
- **Para utilizar con paquetes de baterías de iones de litio de 18 V, consulte el folleto de la herramienta/aparato/paquete de baterías/cargador complementario 988000-302.**

SEGURIDAD PERSONAL

- **Permanezca alerta, preste atención a lo que esté haciendo y aplique el sentido común al utilizar herramientas eléctricas. No utilice la herramienta eléctrica si está cansado o se encuentra bajo los efectos de alguna droga, alcohol o medicamento.** Un momento de inatención al utilizar una herramienta eléctrica puede causar lesiones corporales serias.
- **Use equipo de seguridad. Siempre póngase protección ocular.** El uso de equipo de seguridad como mascarilla para el polvo, calzado de seguridad, casco y protección para los oídos en las circunstancias donde corresponda disminuye el riesgo de lesiones.
- **Evite un arranque accidental de la unidad. Asegúrese de que el interruptor esté en la posición de apagado antes de conectar la herramienta.** Portar las herramientas eléctricas con el dedo en el interruptor, o conectarlas con el interruptor puesto, propicia accidentes.
- **Retire toda llave o herramienta de ajuste antes de encender la herramienta eléctrica.** Toda llave o herramienta de ajuste dejada en una pieza giratoria de la herramienta eléctrica puede causar lesiones.
- **No estire el cuerpo para alcanzar mayor distancia. Mantenga una postura firme y buen equilibrio en todo momento.** De esta manera se logra un mejor control de la herramienta eléctrica en situaciones inesperadas.
- **Vístase adecuadamente. No vista ropas holgadas ni joyas. Mantenga el cabello, la ropa y los guantes alejados de las piezas móviles.** Las ropas holgadas, las joyas y el cabello largo pueden engancharse en las piezas móviles.
- **Si se suministran dispositivos para conectar mangueras de extracción y captación de polvo, asegúrese de que éstas estén bien conectadas y se usen correctamente.** La utilización de captador de polvo puede disminuir los peligros relacionados con el polvo.
- **No vista ropas holgadas ni joyas. Recójase el cabello si está largo.** Las ropas holgadas y las joyas, así como el cabello largo, pueden resultar atraídas hacia el interior de las aberturas de ventilación.
- **No utilice la unidad al estar en una escalera o en un soporte inestable.** Una postura estable sobre una superficie sólida permite un mejor control de la herramienta eléctrica en situaciones inesperadas.

EMPLEO Y CUIDADO DE LA HERRAMIENTA ELÉCTRICA

- **No fuerce la herramienta eléctrica. Utilice la herramienta eléctrica adecuada para cada trabajo.** La herramienta eléctrica adecuada efectúa mejor y de manera más segura el trabajo, si además se maneja a la velocidad para la que está diseñada.
- **No utilice la herramienta si el interruptor no enciende o no apaga.** Cualquier herramienta eléctrica que no pueda controlarse con el interruptor es peligrosa y debe repararse.
- **Desconecte la clavija del suministro de corriente o retire el paquete de baterías de la herramienta eléctrica, según sea el caso, antes de efectuarle cualquier ajuste, cambiarle accesorios o guardarla.** Tales medidas preventivas de seguridad reducen el riesgo de poner en marcha accidentalmente la herramienta.

ADVERTENCIAS DE SEGURIDAD GENERALES PARA EL USO DE HERRAMIENTAS ELÉCTRICAS

- **Guarde las herramientas eléctricas desocupadas fuera del alcance de los niños y no permita que las utilicen personas no familiarizadas con las mismas o con estas instrucciones.** Las herramientas eléctricas son peligrosas en manos de personas no capacitadas en el uso de las mismas.
- **Preste servicio a las herramientas eléctricas. Revise para ver si hay desalineación o atoramiento de piezas móviles, ruptura de piezas o cualquier otra condición que pueda afectar el funcionamiento de la herramienta. Si está dañada la herramienta eléctrica, permita que la reparen antes de usarla.** Numerosos accidentes son causados por herramientas eléctricas mal cuidadas.
- **Mantenga las herramientas de corte afiladas y limpias.** Las herramientas de corte bien cuidadas y con bordes bien afilados, tienen menos probabilidad de atascarse en la pieza de trabajo y son más fáciles de controlar.
- **Utilice la herramienta eléctrica, los accesorios y brocas, hojas y cuchillas de corte, muelas de esmeril, etc. de conformidad con estas instrucciones, tomando en cuenta las condiciones de trabajo y la tarea por realizar.** Si se utiliza la herramienta eléctrica para operaciones diferentes de las indicadas podría originar una situación peligrosa.

EMPLEO Y CUIDADO DE LA HERRAMIENTA DE BATERÍAS

- **Sólo cargue el paquete de baterías con el cargador especificado por el fabricante.** Un cargador adecuado para un tipo paquete de baterías puede significar un riesgo de incendio si se emplea con un paquete de baterías diferente.

- **Utilice las herramientas eléctricas sólo con los paquetes de baterías específicamente indicados.** El empleo de paquetes de baterías diferentes puede presentar un riesgo de incendio.
- **Cuando no esté utilizándose el paquete de baterías, manténgalo lejos de otros objetos metálicos, como clips, monedas, llaves, clavos, tornillos o otros objetos metálicos, pequeños que puedan establecer conexión entre ambas terminales.** Establecer una conexión directa entre las dos terminales de las baterías puede causar quemaduras o incendios.
- **Si se maltratan las baterías, puede derramarse líquido de las mismas; evite todo contacto con éste. En caso de contacto, lávese con agua. Si el líquido llega a tocar los ojos, además busque atención médica.** El líquido de las baterías puede causar irritación y quemaduras.

SERVICIO

- **Permita que un técnico de reparación calificado preste servicio a la herramienta eléctrica, y sólo con piezas de repuesto idénticas.** De esta manera se mantiene la seguridad de la herramienta eléctrica.
- **Al dar servicio a una herramienta eléctrica, sólo utilice piezas de repuesto idénticas. Siga las instrucciones señaladas en la sección Mantenimiento de este manual.** El empleo de piezas no autorizadas o el incumplimiento de las instrucciones de mantenimiento puede significar un riesgo de descarga eléctrica o de lesiones.

ADVERTENCIAS DE SEGURIDAD AMOLADORA ANGULAR

ADVERTENCIAS DE SEGURIDAD GENERALES PARA LAS OPERACIONES DE ESMERILADO, LIJADO, CEPILLO DE ALAMBRE Y PULIR

- **Esta herramienta eléctrica está diseñada para funcionar como una amoladora, una lijadora, un cepillo de alambre o una enceradora. Lea todas las advertencias de seguridad, ilustraciones y especificaciones suministradas con esta herramienta eléctrica.** La inobservancia de todas las instrucciones que se enumeran a continuación puede causar descargas eléctricas, incendios o lesiones graves.
- **No se recomienda realizar ciertas operaciones con esta herramienta eléctrica, como cortar.** Realizar operaciones para las cuales esta herramienta no fue diseñada puede representar un peligro y producir lesiones.
- **No utilice accesorios que no estén específicamente diseñados y recomendados por el fabricante de la herramienta.** El hecho de que el accesorio pueda acoplarse a su herramienta eléctrica no significa que su funcionamiento sea seguro.
- **La velocidad nominal del accesorio debe ser, por lo menos, igual a la velocidad máxima que se indica en la herramienta.** Los accesorios que se utilizan a una mayor velocidad que su VELOCIDAD NOMINAL pueden romperse y salir lanzados.

- **El diámetro exterior y el espesor del accesorio deben tener la capacidad nominal de su herramienta eléctrica.** Los accesorios de un tamaño incorrecto no pueden protegerse ni controlarse de forma adecuada.
- **El diámetro del árbol de las muelas, las bridas, las almohadillas de respaldo o cualquier otro accesorio deben encajar correctamente en el husillo de la herramienta eléctrica.** Los accesorios con orificios del árbol que no coincidan con los elementos de montaje de la herramienta eléctrica se desequilibrarán, vibrarán excesivamente y pueden causar la pérdida de control.
- **No use un accesorio dañado. Antes de cada uso inspeccione los accesorios como discos abrasivos para controlar si hay virutas y grietas, almohadillas de respaldo para controlar si hay grietas, desgaste y deterioro excesivo, cepillo de alambre para controlar si hay cables sueltos y agrietados.** Si la herramienta eléctrica o el accesorio se caen, examine los daños o instale un accesorio en buen estado. Luego de inspeccionar e instalar un accesorio, usted y las personas presentes deben mantenerse alejados del plano del accesorio giratorio. Usted debe accionar la herramienta durante un minuto en la velocidad máxima en vacío. Normalmente, los accesorios dañados se quiebran durante esta prueba.
- **Use un equipo de protección personal. Según la aplicación, use protectores faciales, gafas o lentes de seguridad. Según corresponda, use máscaras contra polvo, protectores**

ADVERTENCIAS DE SEGURIDAD AMOLADORA ANGULAR

auditivos, guantes y delantales de trabajo que puedan detener pequeños fragmentos y abrasivos o de la pieza de trabajo. La protección ocular debe proteger de los residuos suspendidos en el aire que se generan por varias operaciones. La máscara contra polvo o el respirador deben filtrar las partículas generadas durante el funcionamiento. La exposición prolongada a ruidos de alta intensidad puede producir pérdida auditiva.

- **Mantenga a las personas presentes a una distancia segura del área de trabajo. Todas las personas que ingresen al área de trabajo deben usar equipo de protección personal.** Los fragmentos de la pieza de trabajo o de un accesorio roto pueden salir despedidos y causar lesiones más allá del área próxima al funcionamiento.
- **Sostenga la herramienta eléctrica por los asideros aislados sólo cuando realice una operación en la que el accesorio de corte pueda entrar en contacto con cables ocultos o con su propio cable.** El accesorio de corte en contacto con un cable “vivo” puede “cargar” las partes metálicas expuestas de la herramienta eléctrica y dar una descarga eléctrica al operador.
- **Coloque el cable alejado del accesorio en movimiento.** Si pierde el control, el cable puede cortarse o atorarse y la mano o el brazo pueden ser arrastrados al accesorio en movimiento.
- **Nunca suelte la herramienta eléctrica antes de que el accesorio se haya detenido por completo.** El accesorio en movimiento puede prenderse de la superficie y hacer que usted pierda el control de la herramienta.
- **No haga funcionar la herramienta mientras la transporta a su costado.** El contacto accidental con el accesorio en movimiento puede enganchar la ropa y hacer que el accesorio se arrastre hacia el cuerpo.
- **Limpie regularmente las rejillas de ventilación de la herramienta eléctrica.** El ventilador del motor aspirará el polvo dentro de la carcasa y la acumulación excesiva de metal en polvo puede producir riesgos eléctricos.
- **No utilice la herramienta eléctrica cerca de materiales inflamables.** Las chispas pueden encender estos materiales.
- **No use accesorios que requieran refrigerantes líquidos.** El uso de agua u otros refrigerantes líquidos puede causar electrocución o descarga eléctrica.

CONTRAGOLPE Y ADVERTENCIAS RELACIONADAS

El contragolpe es una reacción súbita a un disco en movimiento, almohadilla de respaldo, cepillo o cualquier otro accesorio pellizcado o atorado. El pellizcamiento o atoramiento hacen que el accesorio rotatorio se detenga repentinamente; esto, a la vez, hace que la herramienta eléctrica fuera de control sea despedida en dirección opuesta a la rotación del accesorio en el punto del atoramiento.

Por ejemplo, si un disco abrasivo se pellizca o atora en la pieza de trabajo, el borde del disco que entra en el punto de pellizcamiento puede penetrar en la superficie del material haciendo que el disco se salga o dé un contragolpe. Es posible que el disco salte hacia el operador o en dirección opuesta a él, según la dirección del movimiento del disco en el punto de pellizcamiento. Los discos abrasivos también se pueden romper en estas condiciones.

El contragolpe es el resultado del uso incorrecto de la herramienta eléctrica y/o de procedimientos o condiciones de trabajo incorrectas, y puede evitarse tomando las medidas de precaución adecuadas, como las señaladas abajo.

- **Sujete firmemente la herramienta eléctrica y coloque el cuerpo y los brazos de manera tal que resista la fuerza del contragolpe. Siempre utilice el mango auxiliar, si se proporciona, para tener un máximo control sobre los contragolpes o las reacciones por el par de torsión durante el encendido.** El operador puede controlar las reacciones por el par de torsión o por las fuerzas de contragolpe, siempre que tome las precauciones adecuadas.
- **Nunca coloque la mano cerca del accesorio giratorio.** El accesorio puede rebotar en la mano.
- **No coloque el cuerpo en el área en la que la herramienta llegue a moverse si ocurre una fuerza de contragolpe.** El contragolpe impulsará la herramienta en la dirección opuesta del movimiento del disco en el punto de enganche.
- **Preste especial atención cuando trabaje sobre ángulos, bordes filosos, etc. Evite que el accesorio rebote o se atore.** Los ángulos, los bordes filosos o el rebote tienden a enganchar el accesorio giratorio y hacer perder el control o producir contragolpes.
- **No acople una hoja de motosierra para tallar en madera ni una hoja de sierra dentada.** Dichas hojas producen frecuentes contragolpes y la pérdida de control.

ADVERTENCIAS DE SEGURIDAD ESPECÍFICAS PARA LAS OPERACIONES DE ESMERILADO

- **Sólo utilice los tipos de discos recomendados para su herramienta eléctrica y el protector específico diseñado para el disco seleccionado.** Los discos que no fueron diseñados para la herramienta eléctrica no pueden protegerse correctamente y no son seguros.
- **La protección debe ajustarse de forma segura a la herramienta y colocarse para brindar la máxima seguridad de modo que el operador esté expuesto a una sección mínima del disco.** La protección ayuda a resguardar al operador de los fragmentos rotos del disco y del contacto accidental con la muela.
- **Sólo se debe utilizar el disco para las aplicaciones recomendadas. Por ejemplo: no esmerile con el costado del disco de corte.** Los discos de trocear abrasivos están diseñados para el esmerilado periférico y, si se aplican fuerzas laterales a estos discos, pueden romperse.
- **Use siempre bridas para discos en buen estado que sean de la forma y el tamaño correctos para el disco seleccionado.** Las bridas adecuadas soportan al disco y de este modo reducen la posibilidad de que el disco se rompa. Las bridas para discos de corte pueden ser diferentes de las bridas de discos abrasivos.
- **No utilice discos gastados de herramientas eléctricas más grandes.** Los discos diseñados para herramientas eléctricas más grandes no son adecuados para la velocidad más alta de las herramientas más pequeñas y pueden explotar.

ADVERTENCIAS DE SEGURIDAD ESPECÍFICAS PARA LAS OPERACIONES DE LIJADO

- **No utilice papel para disco lijador de tamaño excesivamente mayor. Siga las instrucciones del fabricante cuando seleccione el papel de lija.** El papel de lija más grande que exceda la almohadilla presenta un peligro de laceración y puede producir enganches, rasgaduras del disco o contragolpes.

ADVERTENCIAS DE SEGURIDAD AMOLADORA ANGULAR

ADVERTENCIAS DE SEGURIDAD ESPECÍFICAS PARA LAS OPERACIONES DE PULIR

- No permita que ninguna parte suelta del disco pulidor ni sus tiras de sujeción giren libremente. Oculte o corte todas las tiras de sujeción que estén sueltas. Las tiras de sujeción sueltas y que estén girando pueden enredarse en sus dedos o atorarse en la pieza de trabajo.

ADVERTENCIAS DE SEGURIDAD ESPECÍFICAS PARA LAS OPERACIONES DEL CEPILLO DE ALAMBRE

- Tenga presente que el cepillo arroja cerdas de alambre incluso durante el funcionamiento normal. No fuerce demasiado las cerdas de alambre al aplicar una carga excesiva sobre el cepillo. Las cerdas pueden penetrar fácilmente las prendas finas y la piel.
- Si se recomienda la utilización de una protección para las operaciones con cepillo de alambre, evite que se introduzcan elementos entre el disco o cepillo de alambre y la protección. Es probable que el disco o cepillo aumente de diámetro debido a la carga de trabajo y las fuerzas centrífugas.

REGLAS ADICIONALES DE SEGURIDAD

- Siempre utilice la muela abrasiva con la debida protección montada. La protección protege al operador de los fragmentos lanzados de la muela si se rompe ésta.
- Familiarícese con su herramienta eléctrica. Lea cuidadosamente el manual del operador. Aprenda sus usos y limitaciones, así como los posibles peligros específicos de esta herramienta eléctrica. Con el cumplimiento de esta regla se reduce el riesgo de una descarga eléctrica, incendio o lesión seria.
- Siempre póngase protección ocular con protección lateral con la marca de cumplimiento de la norma ANSI Z87.1. Con el cumplimiento de esta regla se reduce el riesgo de lesiones corporales serias.
- Protéjase los pulmones. Use una careta o mascarilla contra el polvo si la operación genera mucho polvo. Con el cumplimiento de esta regla se reduce el riesgo de lesiones serias.
- Protéjase los oídos. Durante períodos prolongados de utilización del producto, póngase protección para los

oídos. Con el cumplimiento de esta regla se reduce el riesgo de lesiones corporales serias.

- No se necesita conectar a una toma de corriente las herramientas de baterías; por lo tanto, siempre están en condiciones de funcionamiento. Esté consciente de los posibles peligros cuando no esté usando la herramienta de baterías o cuando esté cambiando los accesorios de la misma. Con el cumplimiento de esta regla se reduce el riesgo de una descarga eléctrica, incendio o lesión corporal seria.
- No coloque herramientas de baterías ni las baterías mismas cerca del fuego o del calor. De esta manera se reduce el riesgo de explosiones y de lesiones.
- No aplaste, deje caer o dañe de baterías. Nunca utilice una batería o cargador que se ha caído, aplastado, recibido un golpe contundente o ha sido dañado(a) de alguna manera. Las baterías dañadas pueden sufrir explosiones. Deseche de inmediato toda batería que haya sufrido una caída o cualquier daño.
- Las baterías pueden explotar en presencia de fuentes de inflamación, como los pilotos de gas. Para reducir el riesgo de lesiones serias, nunca use un producto inalámbrico en presencia de llamas expuestas. La explosión de una batería puede lanzar fragmentos y compuestos químicos. Si ha quedado expuesto a la explosión de una batería, lávese de inmediato con agua.
- No cargue herramientas de baterías en lugares mojados o húmedos. Con el cumplimiento de esta regla se reduce el riesgo de una descarga eléctrica.
- Para obtener resultados óptimos, debe cargar la herramienta de baterías en un lugar donde la temperatura esté entre 10 y 38 °C (entre 50 y 100 °F). No guarde la herramienta a la intemperie ni en el interior de vehículos.
- En condiciones extremas de uso o temperatura las baterías pueden emanar líquido. Si el líquido llega a tocarle la piel, lávese de inmediato con agua y jabón. Si le entra líquido en los ojos, láveselos con agua limpia por lo menos 10 minutos, y después busque de inmediato atención médica. Con el cumplimiento de esta regla se reduce el riesgo de lesiones corporales serias.
- Guarde estas instrucciones. Consúltelas con frecuencia y empléelas para instruir a otras personas que puedan utilizar esta herramienta. Si presta a alguien esta herramienta, facilítele también las instrucciones.

CALIFORNIA - PROPUESTA DE LEY NÚM. 65

ADVERTENCIA:

Este producto y algunos polvos generados al efectuarse operaciones de lijado, aserrado, esmerilado, taladrado y otras actividades de la construcción, contienen sustancias químicas reconocidas por el estado de California como causantes de cáncer, defectos congénitos y otras afecciones del aparato reproductor. **Lávese las manos después de utilizar el aparato.**




Algunos ejemplos de estas sustancias químicas son:

- plomo de las pinturas a base de plomo,
- sílice cristalino de los ladrillos, del cemento y de otros productos de albañilería, y
- arsénico y cromo de la madera químicamente tratada.







El riesgo de la exposición a estos compuestos varía, según la frecuencia con que se realice este tipo de trabajo. Para reducir la exposición personal, trabaje en áreas bien ventiladas, y con equipo de seguridad aprobado, tal como las caretas para el polvo especialmente diseñadas para filtrar partículas microscópicas.

SÍMBOLOS

Las siguientes palabras de señalización y sus significados tienen el objeto de explicar los niveles de riesgo relacionados con este producto.

SÍMBOLO	SEÑAL	SIGNIFICADO
	PELIGRO:	Indica una situación peligrosa inminente, la cual, si no se evita, causará la muerte o lesiones serias.
	ADVERTENCIA:	Indica una situación peligrosa posible, la cual, si no se evita, podría causar la muerte o lesiones serias.
	PRECAUCIÓN:	Indica una situación peligrosa posible, la cual, si no se evita, podría causar lesiones menores o leves.
	AVISO:	(Sin el símbolo de alerta de seguridad) Indica información importante no relacionada con ningún peligro de lesiones, como una situación que puede ocasionar daños físicos.

Es posible que se empleen en este producto algunos de los siguientes símbolos. Le suplicamos estudiarlos y aprender su significado. Una correcta interpretación de estos símbolos le permitirá utilizar mejor y de manera más segura el producto.

SÍMBOLO	NOMBRE	DENOMINACIÓN/EXPLICACIÓN
	Alerta de seguridad	Indica un peligro posible de lesiones personales.
	Lea el manual del operador	Para reducir el riesgo de lesiones, el usuario debe leer y comprender el manual del operador antes de usar este producto.
	Protección para los ojos	Siempre póngase la protección ocular con protección lateral marcada conforme al ANSI Z87.
	Protección para los ojos y oídos	Siempre póngase protección ocular con protección lateral con la marca de cumplimiento de la norma ANSI Z87.1 junto con protección auditiva.
	Alerta de condiciones húmedas	No exponga la unidad a la lluvia ni la use en lugares húmedos.
	Símbolo de reciclado	Este producto contiene baterías de iones de litio (Li-ion). Es posible que algunas leyes municipales, estatales o federales prohíban desechar las baterías en la basura normal. Consulte a las autoridades reguladoras de desechos para obtener información en relación con las alternativas de reciclado y desecho disponibles.
V	Volts	Voltaje
min	Minutos	Tiempo
—	Corriente continua	Tipo o característica de corriente
n _o	Velocidad en vacío	Velocidad de rotación, en vacío
.../min	Por minuto	Revoluciones, carreras, velocidad superficial, órbitas, etc., por minuto

CARACTERÍSTICAS

ESPECIFICACIONES DEL PRODUCTO

Capacidad de la muela abrasiva..... 114 mm (4-1/2 pulg.)
Motor..... 18 V, corr. cont.

FAMILIARÍCESE CON SU AMOLADORA ANGULAR

Vea la figura 1, página 11.

Para usar este producto con la debida seguridad se debe comprender la información indicada en la herramienta misma y en este manual, y se debe comprender también el trabajo que intenta realizar. Antes de usar este producto, familiarícese con todas las características de funcionamiento y normas de seguridad del mismo.

LED DE SOBRECARGA

El LED de sobrecarga titilará cuando la esmeriladora se acerque a una condición de sobrecarga. Para evitar la sobrecarga, aplique menos presión sobre la esmeriladora o deje de usarla.

PROTECCIÓN CONTRA SOBRECARGAS

La herramienta posee protección integrada que protege al motor durante las sobrecargas. Cuando se fuerza la herramienta o se sobrecarga el motor, la amoladora apagará automáticamente la herramienta. **No fuerce la herramienta.**

ARMADO

DESEMPAQUETADO

Este producto requiere armarse.

- Extraiga cuidadosamente de la caja la herramienta y los accesorios. Compruebe que estén presentes todos los artículos enumerados en la lista de empaquetado.

⚠ ADVERTENCIA:

No utilice este producto si alguna pieza incluida en la lista de incluye ya está ensamblada al producto cuando lo desempaqueta. El fabricante no ensambla las piezas de esta lista en el producto. Éstas deben ser instaladas por el usuario. El uso de un producto que puede haber sido ensamblado de forma inadecuada podría causar lesiones personales graves.

- Inspeccione cuidadosamente la herramienta, para verificar que no haya sufrido ninguna rotura o daño durante el transporte.
- No deseche el material de empaquetado hasta que haya inspeccionado la herramienta con cuidado y la haya utilizado satisfactoriamente.
- Si hay piezas dañadas o faltantes, sírvase llamar al 1-866-539-1710, donde le brindaremos la asistencia necesaria.

⚠ ADVERTENCIA:

Si falta o está dañada alguna pieza, no utilice este producto sin haber reemplazado la pieza. Usar este producto con partes dañadas o faltantes puede causar lesiones serias al operador.

Velocidad en vacío 9 000 /min (RPM)
Rosca del husillo 5/8 pulg. x 11 UNC

NOTA: Si la esmeriladora se detiene debido a la función de protección contra sobrecargas, apague y vuelva a encender la herramienta para seguir usándola.

INTERRUPTOR DE ENCENDIDO/APAGADO

Use el interruptor de encendido/apagado para encender y apagar la herramienta.

MANGO LATERAL

El mango lateral puede ser instalado en la parte superior, la izquierda o la derecha de la amoladora para estabilizarla y debe ser utilizada durante todas las operaciones.

BLOQUEO DEL HUSILLO

Bloqueo del husillo asegura éste de manera que sólo se necesita una llave para cambiar la muela abrasiva.

PROTECCIÓN NO NECESITA HERRAMIENTAS

La protección no necesita herramientas desvía las chispas y las virutas de metal durante el uso.

⚠ ADVERTENCIA:

No intente modificar este producto ni hacer accesorios no recomendados para la misma. Cualquier alteración o modificación constituye maltrato el cual puede causar una condición peligrosa, y como consecuencia posibles lesiones corporales serias.

⚠ ADVERTENCIA:

Para evitar un arranque accidental que puede causar lesiones corporales graves, siempre desmonte de la herramienta el paquete de baterías al montarle piezas a aquélla.

INSTALACIÓN DE LAS MUELAS ABRASIVAS

Vea la figura 2, página 11.

⚠ PELIGRO:

Use SÓLO muelas tipo 27 con centro hundido (como la que se provee con este producto). Nunca conecte un Tipo 1 recto ni la muela de corte de operaciones a esta muela. Este producto es sólo diseñado para moler. Utilice para cualquier otro propósito no es recomendado y crea un peligro, que tendrá como resultado la herida grave.

TIPO 27 – APTO PARA EL USO



TIPO 1 – NO APTO PARA EL USO



ARMADO

PELIGRO:

Nunca monte en esta amoladora hojas de cortar o tallar madera de ningún tipo. Solamente está diseñada para esmerilar y lijar. No se recomienda utilizar la herramienta para ningún otro uso, ya que puede presentar un peligro de lesiones serias.

ADVERTENCIA:

Inspeccione completamente toda muela abrasiva antes de instalarla en la amoladora.

- Golpee levemente alrededor de la muela con un martillo de madera.
- Escuche cuidadosamente los sonidos producidos. Los lugares con fisuras o grietas producen un sonido diferente.

No utilice muelas que tengan fisuras o grietas.

Al instalar una nueva muela abrasiva, efectúe una prueba de revolución en vacío de un minuto aproximadamente, con la muela orientada en una dirección segura, o sea hacia donde no haya personas ni objetos.

- Oprima el botón del bloqueo del husillo y gire la tuerca de presión hasta que se inmovilice el husillo.

AVISO:

Para evitar que se dañe el husillo o el seguro del husillo, siempre deje que el motor se detenga por completo antes de accionar el seguro del husillo.

- Afloje y retire del husillo la tuerca de sujeción. No retire la brida del disco.
- Asegúrese de que las partes planas de la parte inferior de la brida del disco queden enganchadas en las partes planas del husillo.

FUNCIONAMIENTO

ADVERTENCIA:

No permita que su familiarización con este producto le vuelva descuidado. Tenga presente que un descuido de un instante es suficiente para infligir una lesión grave.

ADVERTENCIA:

Siempre póngase protección ocular con protección lateral con la marca de cumplimiento de la norma ANSI Z87.1. La inobservancia de esta advertencia puede permitir que los objetos lanzados hacia los ojos puedan provocarles lesiones graves.

- Coloque la muela abrasiva en el husillo.

ADVERTENCIA:

Siempre instale las muelas abrasivas con el centro hundido contra la brida del disco. De otra manera se causa el agrietamiento de la muela abrasiva al apretar la tuerca de sujeción. Esto puede producir lesiones corporales serias debido a la separación y lanzamiento de partículas flojas de la muela. No la apriete excesivamente.

- Enrosque la tuerca de sujeción en el husillo con el lado plano de la tuerca hacia arriba.
- Acomode la parte elevada, la del diámetro pequeño de la tuerca de presión, en el orificio de la muela y apriétela con los dedos.
- Oprima el botón del bloqueo del husillo y gire hacia la derecha la muela hasta que se inmovilice el husillo en su posición.
- Con la llave suministrada apriete firmemente la tuerca de presión. No la apriete excesivamente.

INSTALACIÓN DEL MANGO LATERAL

Vea la figura 3, página 11.

ADVERTENCIA:

Siempre debe utilizarse para evitar la pérdida del control y posibles lesiones serias.

El mango puede instalarse en el lado izquierdo o derecho o la parte superior de la amoladora, según la preferencia del operador.

- Coloque el conjunto del mango lateral en la posición de trabajo deseada.
- Apriete firmemente del mango lateral; para ello, gírelo a la derecha.

ADVERTENCIA:

No utilice ningún aditamento o accesorio no recomendado por el fabricante de este producto. El empleo de aditamentos o accesorios no recomendados podría causar lesiones serias.

APLICACIONES

Este producto puede emplearse para el fin señalado abajo:

- Esmerilado de metales
- Lijado de superficies de productos de madera o de metal

ADVERTENCIA:

Las productos de baterías siempre están en condiciones de funcionamiento. En consecuencia, el interruptor de encendido/apagado siempre debe estar en la posición **OFF** (APAGADO) cuando no utilice la herramienta o cuando la lleve al costado del cuerpo.

FUNCIONAMIENTO

INSTALACIÓN/QUITAR DEL PAQUETE DE BATERÍAS

Vea la figura 4, página 11.

Para instalar:

- Lleve el interruptor de encendido/apagado a la posición **OFF** (APAGADO).

NOTA: Si el interruptor de encendido/apagado se encuentra en la posición **ON** (ENCENDIDO) cuando se instala la batería, el LED de sobrecarga titilará y la herramienta no funcionará. Si esto sucede, apague y vuelva a encender la herramienta antes de usarla.

- Instale el paquete de baterías.
- Asegúrese de que los pestillos situados a ambos lados del paquete de baterías entren completamente en su lugar con un chasquido y de que el paquete quede bien asegurado en la herramienta antes de comenzar a utilizarla.

Para retirar:

- Oprima los pestillos laterales del paquete de baterías.

ENCENDIDO Y APAGADO DEL AMOLADORA

Vea la figura 5, página 11.

- Para encender la esmeriladora angular, lleve hacia adelante el interruptor de encendido/apagado, hasta la posición **ON** (ENCENDIDO). Para bloquear la esmeriladora en la posición **ON** (ENCENDIDO), presione la parte delantera del interruptor.
- Para detener la esmeriladora, lleve el interruptor de encendido/apagado a la posición **OFF** (APAGADO). Si el interruptor se encuentra en la posición de bloqueo, presione la parte posterior del interruptor.

AVISO:

Nunca cubra los orificios de ventilación. Deben estar siempre libres para enfriar correctamente el motor.

POSICIONAMIENTO DE LA PROTECCIÓN

Vea la figura 6, página 12.

La protección de la amoladora debe instalarse debidamente según el lado en que se monte el mango. Nunca utilice la amoladora si la protección no está debidamente en su lugar.

ADVERTENCIA:

Nunca coloque la protección de manera que quede al frente de la amoladora como se muestra. Esto puede producir lesiones serias debido a que las chispas y partículas sueltas lanzadas por la muela abrasiva saldrían dirigidas hacia el operador. Siempre coloque la protección en el lugar correcto, como se muestra.

Para ajustar la posición la protección:

- Retire el paquete de baterías.
- Oprima la palanca y gire la protección a su posición correcta, como se muestra.

NOTA: Asegúrese de que la costilla realizada de la protección quede sentada en la ranura de la tapa del cojinete. Nunca utilice la amoladora sin la protección montada en su lugar y ajustada correctamente.

UTILIZACIÓN DE LA AMOLADORA

Vea la figura 7, página 12.

Siempre escoja y utilice cuidadosamente las muelas abrasivas recomendadas para el material por esmerilar. Cerciórese de que la velocidad de funcionamiento mínima de la muela accesoria seleccionada sea al menos de 9 000/min. o más. La muela abrasiva suministrada con la amoladora es apropiada para esmerilar partes soldadas, preparar superficies por soldar, esmerilar acero estructural y esmerilar acero inoxidable.

Para utilizar la amoladora:

- Asegure el trabajo con una prensa de mano o fíjela en un banco de trabajo.

PELIGRO:

Nunca utilice la amoladora con la protección desmontada. La herramienta ha sido diseñada para utilizarse solamente con la protección montada. Intentar utilizar la amoladora con la protección desmontada puede causar el lanzamiento de partículas flojas hacia el operador, con las consiguientes lesiones corporales serias.

- Sostenga con ambas manos la amoladora al frente y lejos de usted, manteniendo la muela abrasiva alejada de la pieza de trabajo.
- Encienda la amoladora y deje que el motor y la muela abrasiva alcancen la máxima velocidad.
- Baje gradualmente la amoladora hasta que la muela abrasiva toque la pieza de trabajo.
- Mantenga la amoladora inclinada a un ángulo entre 5 y 15 grados de la superficie de trabajo.

ADVERTENCIA:

Para evitar perder el control y sufrir lesiones corporales serias, siempre maneje la amoladora con ambas manos, manteniendo una de ellas en el mango lateral.

- Mueva continuamente la amoladora, a un paso estable y uniforme.

AVISO:

Si se mantiene la amoladora en un solo lugar demasiado tiempo, deja marcas y ranuras en la pieza de trabajo. Si se sostiene la amoladora a un ángulo muy pronunciado, también deja marcas en la pieza de trabajo debido a la concentración de presión en un área pequeña.

- Aplique justamente la presión suficiente para evitar el traqueteo y el rebote de la amoladora. Cuando se aplique demasiada presión, titilará el LED de sobrecarga. Si no se deja de aplicar la presión, la herramienta se apagará automáticamente.

NOTA: Una presión elevada disminuye la velocidad de la amoladora y exige más esfuerzo por parte del motor. Normalmente el peso de la herramienta por sí mismo suministra la presión adecuada para la mayoría de los trabajos de esmerilado. Aplique una presión leve al esmerilar bordes mellados o pernos flojos, donde exista la posibilidad de que la amoladora se atore en el borde metálico.

- Levante la amoladora de la pieza de trabajo antes de apagarla.

MANTENIMIENTO

ADVERTENCIA:

Al dar servicio a la herramienta, utilice solamente piezas de repuesto idénticas. El empleo de piezas diferentes puede implicar peligro o causar daños al producto.

ADVERTENCIA:

Siempre póngase protección ocular con protección lateral con la marca de cumplimiento de la norma ANSI Z87.1 junto con protección para los oídos. La inobservancia de esta advertencia puede permitir que los objetos lanzados hacia los ojos y otros provocar lesiones graves.

ADVERTENCIA:

Para evitar lesiones corporales graves, siempre retire el paquete de baterías de la herramienta al limpiarla, darle mantenimiento o guardarla.

MANTENIMIENTO GENERAL

Evite el empleo de solventes al limpiar piezas de plástico. La mayor parte de los plásticos son susceptibles a diferentes tipos de solventes comerciales y pueden resultar dañados. Utilice paños limpios para eliminar la suciedad, polvo, aceite, grasa, etc.

ADVERTENCIA:

No permita en ningún momento que líquido para frenos, gasolina, productos a base de petróleo, aceites penetrantes, etc., entren en contacto con las piezas de plástico. Las sustancias químicas pueden dañar, debilitar o destruir el plástico, lo cual puede a su vez producir lesiones corporales graves.

REEMPLAZO DE LA PROTECCIÓN

Vea la figura 8, página 12.

Después de un uso prolongado, la protección puede gastarse y necesitar cambiarse. Si deja caer la amoladora y se daña la protección, también es posible que sea necesario cambiarla.

Para cambiar la protección:

- Retire de la herramienta el paquete de baterías de la amoladora.
 - Retire la tuerca de sujeción, el disco esmeril y la brida del disco. Consulte el apartado **Instalación de las muelas abrasivas**, previamente en este manual.
 - Presione la palanca y gire el protector usado hasta que las flechas de índice del protector y la tapa del cojinete queden alineadas. Retire el protector usado.
 - Coloque el protector nuevo sobre la pestaña de la tapa del cojinete alineando las flechas de índice del protector y la tapa del cojinete. Ejercer presión hacia abajo sobre el protector hasta que quede totalmente asentado.
 - Oprima la palanca y gire la protección a la posición correcta. Consulte el apartado **Posicionamiento de la protección**.
- NOTA:** Asegúrese de que la costilla realizada de la protección quede sentada en la ranura de la tapa del cojinete.
- Instale la brida del disco, el disco esmeril y la tuerca de sujeción. Consulte el apartado **Instalación de las muelas abrasivas**, previamente en este manual.
 - Con la llave suministrada apriete firmemente la tuerca de presión.

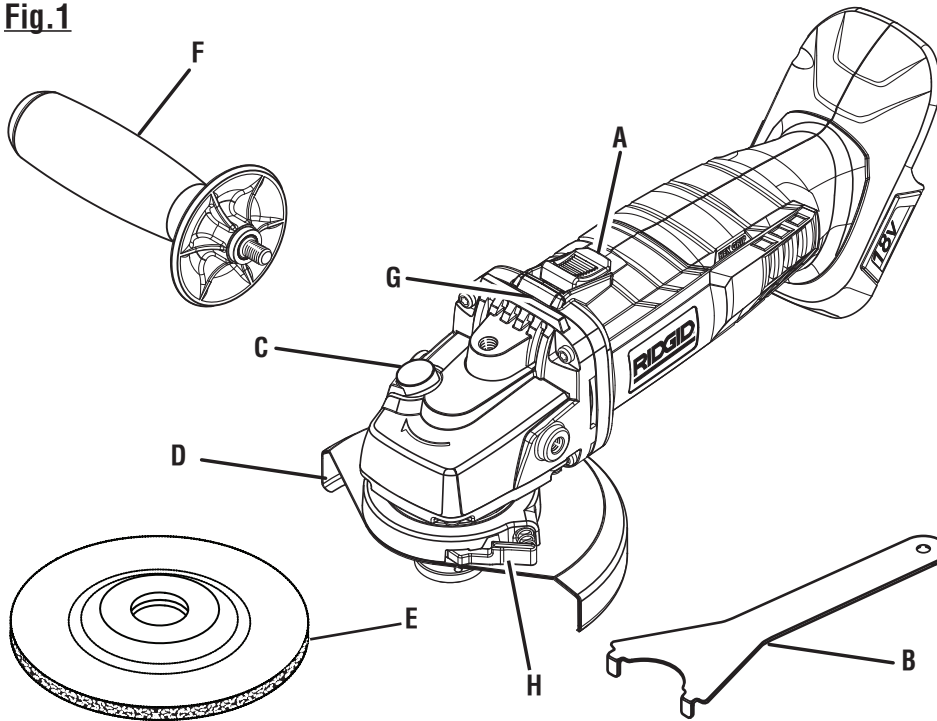
REMOCIÓN DEL PAQUETE DE BATERÍAS PARA EL RECICLADO

ADVERTENCIA:

Al retirar el paquete de baterías, cubra las terminales del mismo con cinta adhesiva reforzada. No intente destruir o desarmar el paquete de baterías, ni de desmontar ninguno de sus componentes. Las baterías de níquel-cadmio deben reciclarse o desecharse debidamente. También, nunca toque ambas terminales con objetos metálicos y partes del cuerpo, ya que puede producirse un corto circuito. Manténgase fuera del alcance de los niños. La inobservancia de estas advertencias puede causar incendios y lesiones corporales serias.

NOTA: Figuras (ilustraciones) comenzando en la página 11. Este producto tiene una política de satisfacción garantizada de 90 días y una garantía limitada de tres años. Para obtener detalles sobre la garantía y la política de satisfacción garantizada, diríjase a www.RIDGID.com o llame sin cargo al 1-866-539-1710.

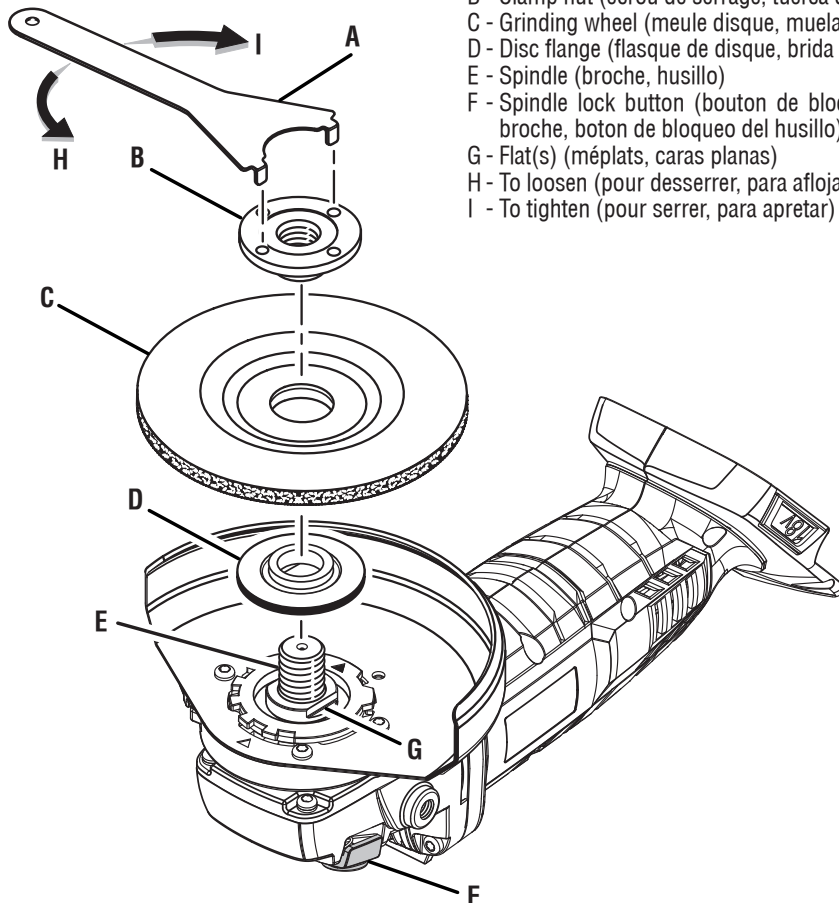
Fig.1



- A - On/Off switch (commutateur marche/arrêt, interruptor de encendido/apagado)
- B - Wrench (clé, llave)
- C - Spindle lock button (bouton de blocage de la broche, boton de bloqueo del husillo)
- D - Toolless guard (garde sans outil, protección no necesita herramientas)

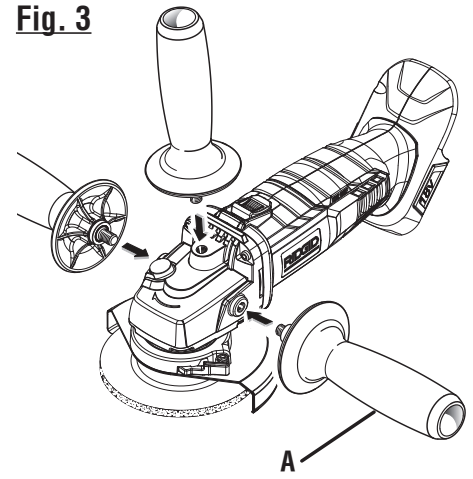
- E - Grinding wheel (meule disque, muela abrasiva)
- F - Side handle (poignée latérale, mango lateral)
- G - Overload LED (témoin DEL de surcharge, LED de sobrecarga)
- H - Guard lever (levier du garde, palanca de protección)

Fig.2



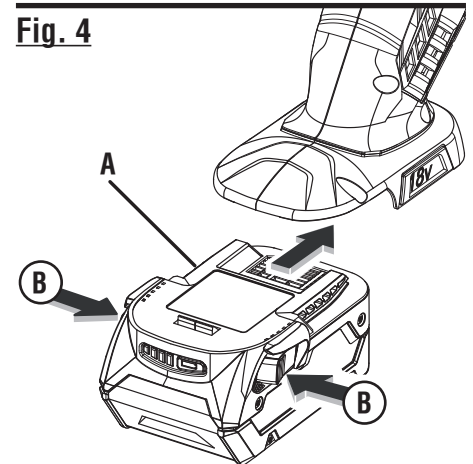
- A - Wrench (clé, llave)
- B - Clamp nut (écrou de serrage, tuerca de fijación)
- C - Grinding wheel (meule disque, muela abrasiva)
- D - Disc flange (flasque de disque, brida del disco)
- E - Spindle (broche, husillo)
- F - Spindle lock button (bouton de blocage de la broche, boton de bloqueo del husillo)
- G - Flat(s) (méplats, caras planas)
- H - To loosen (pour desserrer, para aflojar)
- I - To tighten (pour serrer, para apretar)

Fig.3



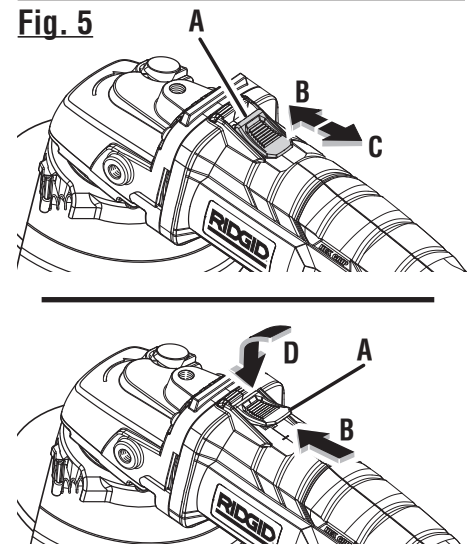
- A - Side handle (poignée latérale, mango lateral)

Fig.4



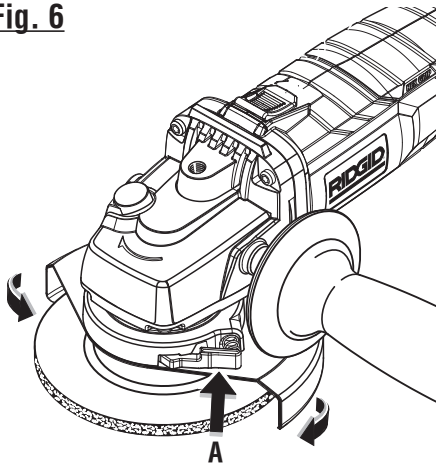
- A - Battery pack (bloc-pile, paquete de baterías)
- B - Depress latches to release battery pack (appuyer sur le loquet pour libérer le bloc-pile, para soltar el paquete de baterías oprima el pestillo)

Fig.5



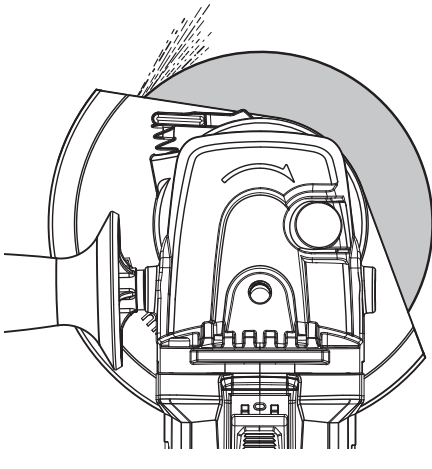
- A - On/Off switch (commutateur marche/arrêt, interruptor de encendido/apagado)
- B - On position (position marche, posición encendido)
- C - Off position (position d'arrêt, posición apagado)
- D - Locked position (position engagé, posición trabada)

Fig. 6



A - Depress lever to rotate (appuyer sur le levier pour faire tourner, oprima la palanca para girar)

Fig. 7 SIDE HANDLE ON LEFT SIDE OF GRINDER
POIGNÉE LATÉRALE SUR LE CÔTÉ GAUCHE DE LA MEULE
MANGO LATERAL EN EL LADO IZQUIERDO DE LA AMOLADORA



SIDE HANDLE ON RIGHT SIDE OF GRINDER
POIGNÉE LATÉRALE SUR LE CÔTÉ DROIT DE LA MEULE
MANGO LATERAL EN EL LADO DERECHO DE LA AMOLADORA

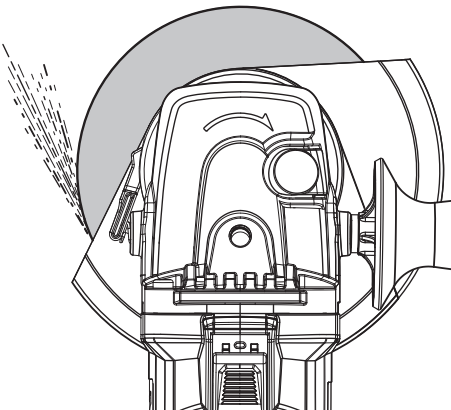


Fig. 8

**INCORRECT
INCORRECT / INCORRECTA**

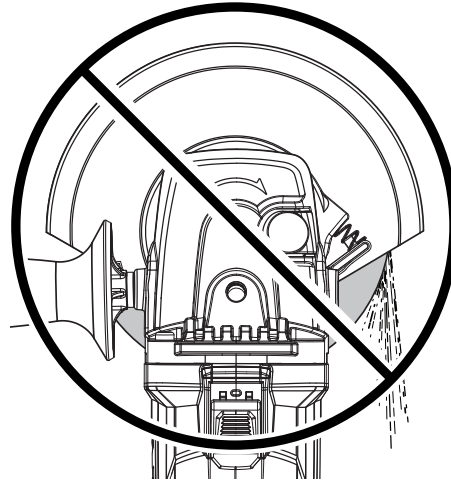


Fig. 9

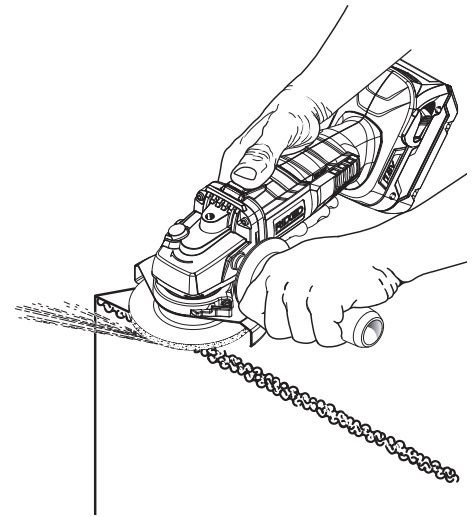
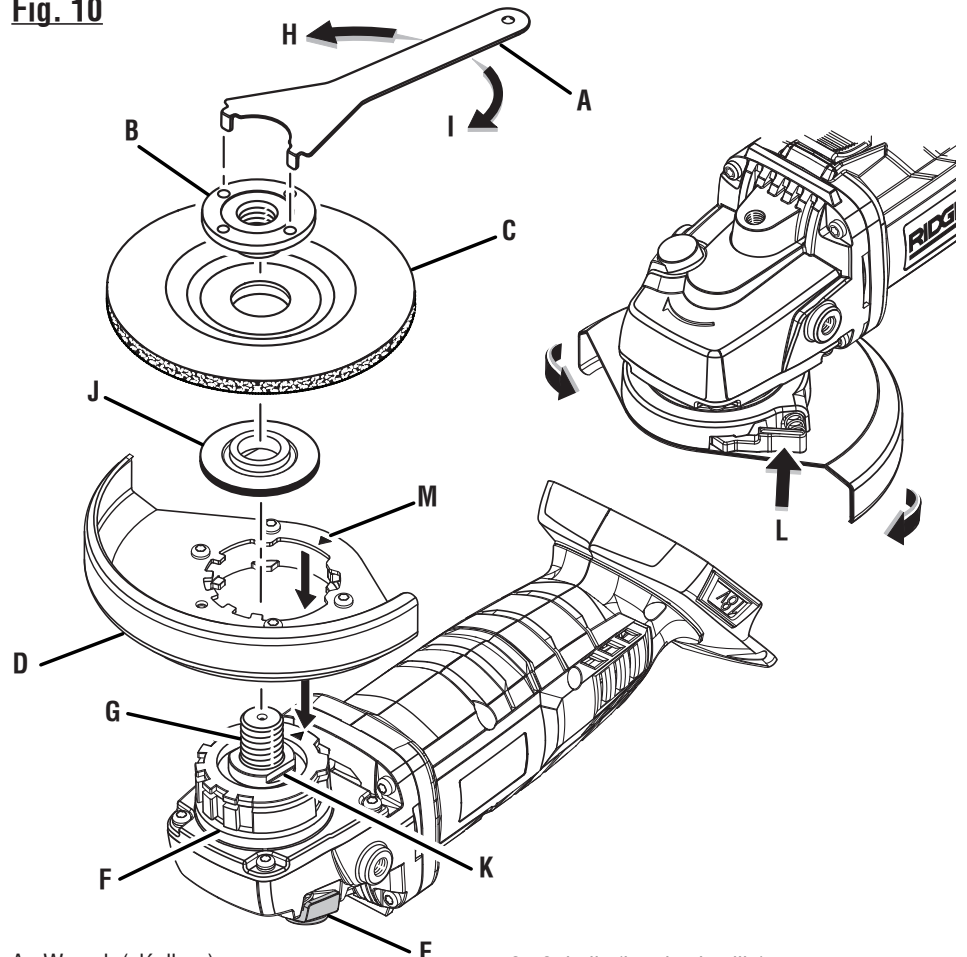


Fig. 10



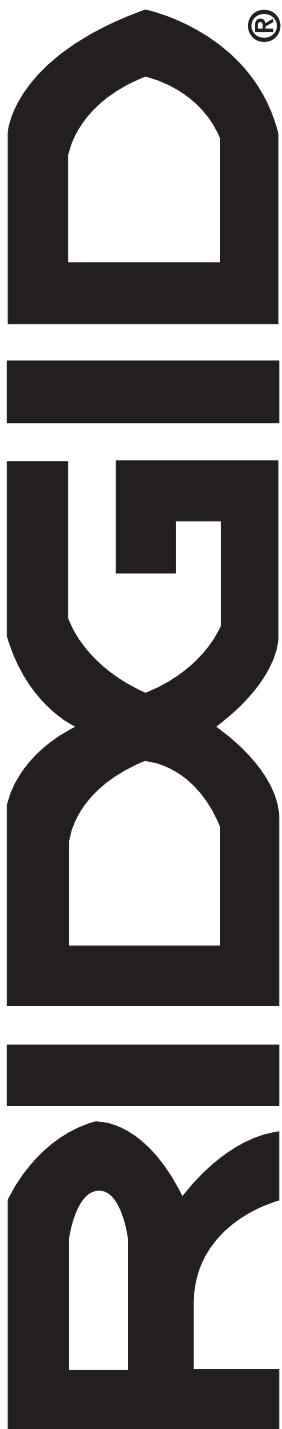
A - Wrench (clé, llave)
B - Clamp nut (écrou de serrage, tuerca de fijación)
C - Grinding wheel (meule disque, muela abrasiva)
D - Toolless guard (garde sans outil, protección no necesita herramientas)
E - Spindle lock button (bouton de blocage de la broche, boton de bloqueo del husillo)
F - Bearing cap (bouchon du roulement, tapa de cojinete)

G - Spindle (broche, husillo)
H - To loosen (pour desserrer, para aflojar)
I - To tighten (pour serrer, para apretar)
J - Disc flange (flasque de disque, brida del disco)
K - Flat(s) (méplats, caras planas)
L - Depress lever to rotate (appuyer sur le levier pour faire tourner, oprima la palanca para girar)
M - Index arrow (flèche de référence, flecha del índice)

OPERATOR'S MANUAL MANUEL D'UTILISATION MANUAL DEL OPERADOR

18 VOLT ANGLE GRINDER 18 V MEULEUSE D'ANGLE 18 V AMALADORA ANGULAR

R86040



Customer Service Information:

For parts or service, contact your nearest RIDGID® authorized service center. Be sure to provide all relevant information when you call or visit. For the location of the authorized service center nearest you, please call 1-866-539-1710 or visit us online at www.ridgid.com.

The model number of this tool is found on a plate attached to the motor housing. Please record the serial number in the space provided below. When ordering repair parts, always give the following information:

Model No. _____

Serial No. _____

Service après-vente :

Pour acheter des pièces ou pour un dépannage, contacter le centre de réparations RIDGID® agréé le plus proche. Veiller à fournir toutes les informations pertinentes lors de tout appel téléphonique ou visite. Pour obtenir l'adresse du centre de réparations agréé le plus proche, téléphoner au 1-866-539-1710 ou visiter notre site www.ridgid.com.

Le numéro de modèle se trouve sur une plaquette fixée au boîtier du moteur. Noter le numéro de série dans l'espace ci-dessous. Lors de toute commande de pièces détachées, fournir les informations suivantes :

No. de modèle _____

No. de série _____

Información sobre servicio al consumidor:

Para piezas de repuesto o servicio, comuníquese con el centro de servicio autorizado de productos RIDGID® de su preferencia. Asegúrese de proporcionar todos los datos pertinentes al llamar o al presentarse personalmente. Para obtener información sobre el centro de servicio autorizado más cercano a usted, le suplicamos llamar al 1-866-539-1710 o visitar nuestro sitio en la red mundial, en la dirección www.ridgid.com.

El número de modelo de este producto se encuentra en una placa adherida al alojamiento del motor. Le suplicamos anotar el número de serie en el espacio suministrado abajo. Al pedir piezas de repuesto siempre proporcione la siguiente información:

Núm. de modelo _____

Núm. de serie _____