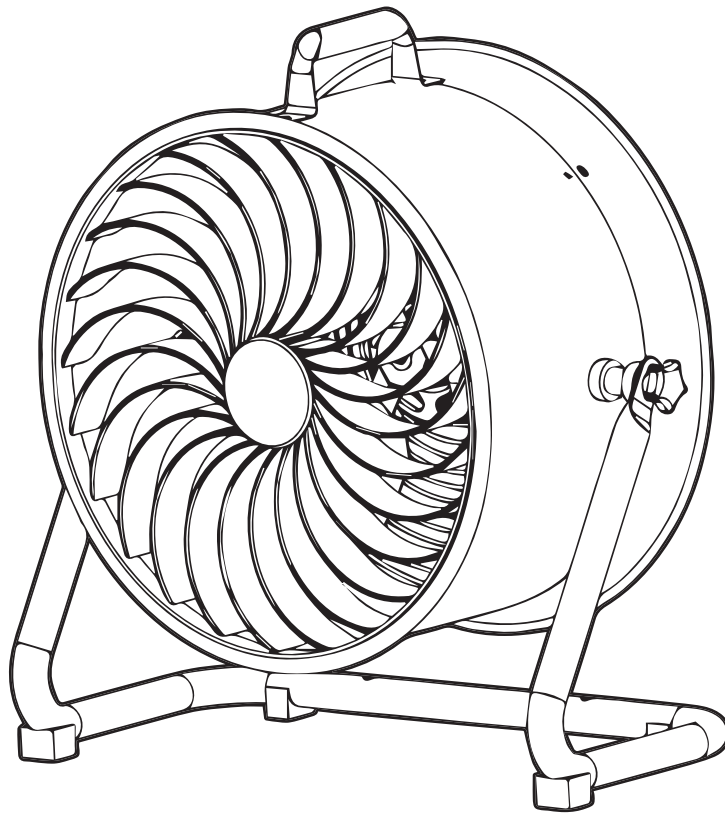


USE AND CARE GUIDE

16 IN. TURBO HIGH-VELOCITY FLOOR FAN



Questions, problems, missing parts? Before returning to the store,
call Commercial Electric Customer Service
8 a.m. - 7 p.m., EST, Monday - Friday, 9 a.m. - 6 p.m., EST, Saturday

1-877-527-0313

HOMEDEPOT.COM

THANK YOU

We appreciate the trust and confidence you have placed in Commercial Electric through the purchase of this fan. We strive to continually create quality products designed to enhance your home. Visit us online to see our full line of products available for your home improvement needs.

Thank you for choosing Commercial Electric!


Table of Contents


Table of Contents 2
Safety Information 2
Warranty 3
Pre-Assembly 4
 Package Contents 4

Assembly and Operation 5
Maintenance 6
Service Parts 6

Safety Information


READ AND SAVE THESE INSTRUCTIONS. DO NOT USE THIS FAN IF ANY PART IS DAMAGED OR MISSING.

 **WARNING:** This fan is not intended for use by persons including children with reduced physical, mental, or sensory capabilities or lack of experience or knowledge, unless they have been given supervision or instruction concerning use of the product by a person responsible for their safety. Children should be supervised to ensure that they do not play with the fan.


 **WARNING:** It is normal for the fan motor to feel warm to the touch after continuous operation. This fan features a thermal cutoff that will automatically shut off the motor should it overheat for any reason. If this happens, unplug the fan from the outlet immediately.


- Unplug this fan for storage, when not in use, or moving locations.
- Never insert fingers or any other objects through the grille when the fan is in operation.
- Ensure the fan is on a stable, flat surface when in operation.


 **WARNING:** To reduce the risk of fire or electric shock, do not use with any solid-state speed control device.


 **WARNING:** To reduce the risk of fire or electrical shock, do not expose to water or rain.

 **WARNING:** This fan has a 3-prong plug. To reduce the risk of electrical shock, this plug is intended to fit in any outlet only one way.

 **WARNING:** If this fan does not fit the outlet, contact a qualified electrician. Do not attempt to bypass this procedure.

 **WARNING:** If the supply cord is damaged, it must be replaced by the manufacturer, its service agent, or a similarly qualified person in order to avoid a hazard.

 **WARNING:** Do not use this fan in windows. Rain and moisture may create an electrical hazard.

 **WARNING:** Ensure the front and rear guard screws are completely screwed down in the locking position before operation.

 **CAUTION:** Do not alter the fan's assembly.

Warranty

The manufacturer extends this warranty to the original retail purchaser of its model or, if this unit is purchased and installed by a building contractor, then to the original owner of the home. No subsequent purchaser of the unit or of a home which it is installed is entitled to any of the benefits of this warranty.

This product is warranted against defects in materials and workmanship for a period of two (2) years from the date of original retail purchase. No other parts or components are warranted. There is no warranty for defects caused by abuse, faulty installation, or the like. Repairs or replacement parts supplied under this warranty are warranted only for the period of this warranty; that is, two (2) years from the date of the original retail purchase of the unit.

In the event of a defect or malfunction, we will replace or repair the defective part or component only and return the new or repaired part to you freight prepaid. You must bear all other expenses incurred in obtaining repairs, including labor required for field repair or replacement, and the cost of shipping the defective part to us. You must also bear the cost of replacement of any part or component and the shipping charges incurred for the replacement and return to you any part or component not covered by this warranty, including parts or components damaged by you.

The manufacturer reserves the right to demand and receive written evidence of the date of purchase before undertaking to perform its obligations under this warranty. You should, therefore, retain your sales slip. There is no informal dispute settling mechanism available in the event of a controversy involving this warranty. Any and all implied warranties which may exist terminate upon the expiration of this warranty, two (2) years from the date of the original retail purchase. Some states do not allow limitations on how long an implied warranty lasts, so this limitation may not apply to you.

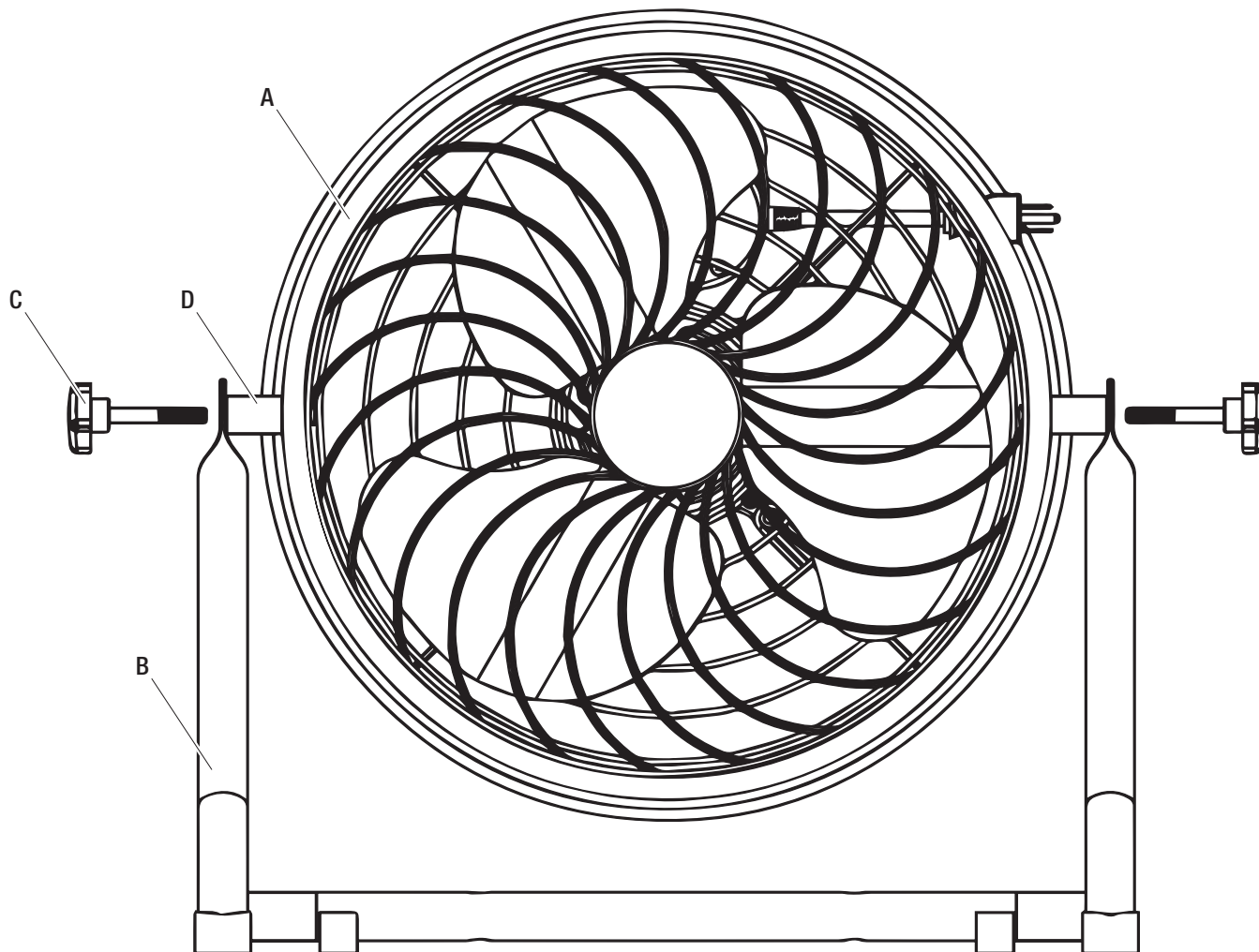
The manufacturer is not liable to you for incidental or consequential damages arising out of a defect or malfunction of a unit, or its installation, or out of any alleged breach of this warranty. Some states do not allow the exclusion or limitation of incidental or consequential damages, so this limitation may not apply to you. This warranty gives you specific legal rights, and you may also have other rights which vary from state to state.

Contact the Customer Service Team at 1-877-527-0313 or visit www.HomeDepot.com.

Pre-Assembly

PACKAGE CONTENTS

Compare all parts with the package contents list. If any part appears missing or damaged, do not assemble or operate this fan. Contact the customer service team at 1-877-527-0313 or visit www.HomeDepot.com.

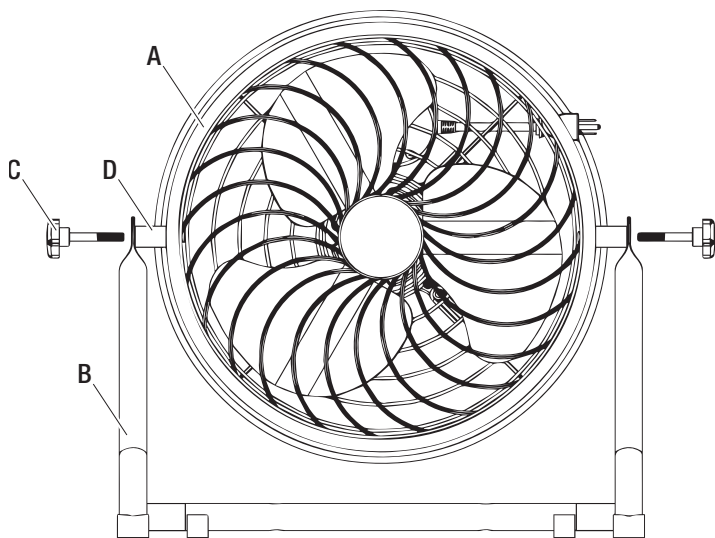


Part	Description	Quantity
A	Fan head with power cord	1
B	Stand	1
C	Adjustment knob	2
D	Washer	2

Assembly and Operation

1 Assembling the fan

- Position a washer (D) between the fan head (A) and one side of the stand (B), aligning the washer (D) with the pre-drilled holes.
- Secure the stand (B) to the fan head (A) by inserting an adjustment knob (C) through the stand (B), washer (D), and into the fan head (A). Repeat for the other side of the fan.

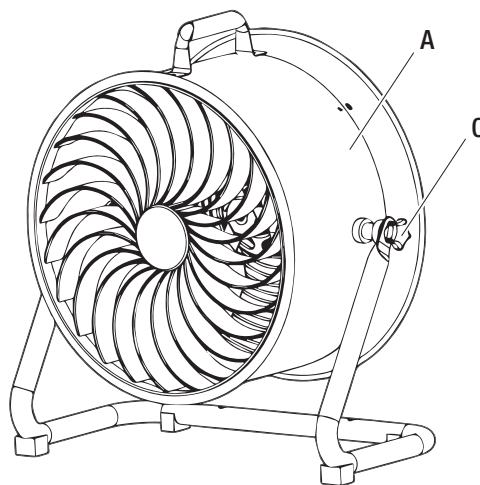


2 Adjusting the fan tilt



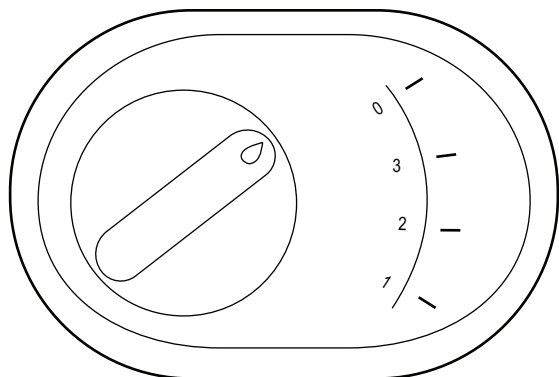
WARNING: Do not move or adjust fan while in operation.

- Loosen the adjustment knobs (C) on each side of the fan by turning counterclockwise and tilt the fan head (A) to the desired angle.
- When finished, tighten the adjustment knobs (C) by turning them clockwise.



3 Turning the fan On/Off and adjusting the fan speed

- Plug the power cord into an outlet.
- Rotate the switch to one of the following settings: 0 = Off, 1 = Low, 2 = Medium, and 3 = High

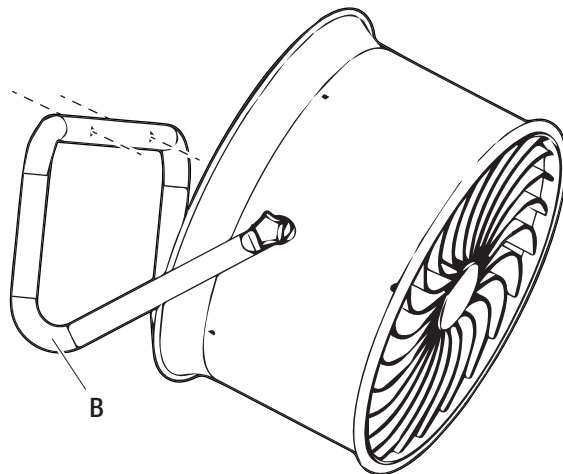


4 (Optional) Mounting the fan to a wall



WARNING: Ensure the front and rear guard screws are completely screwed down in the locking position before operation.

- Use properly-sized screws (not included) to mount the stand (B) portion of the fan assembly to the wall.



Maintenance

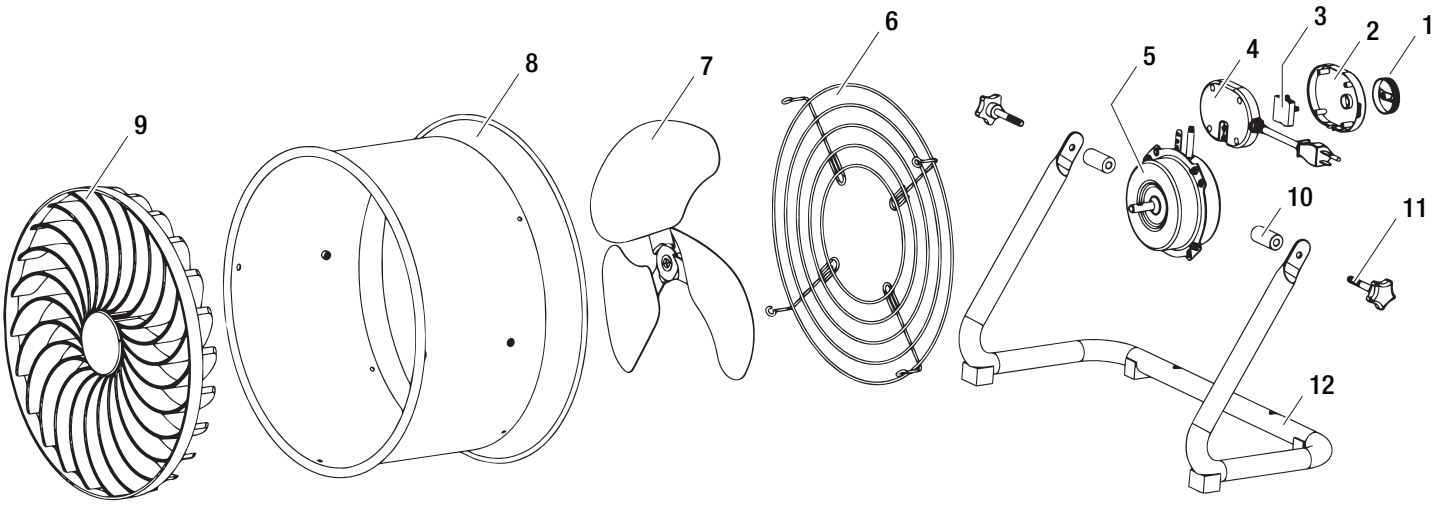
WARNING: Unplug the fan from the electrical supply before cleaning. After servicing, any safety device (including grilles and blades) must be reinstalled or remounted as previously installed.

Use a soft, damp cloth to clean and then wipe with a dry cloth. Do not use a cleaning solution that is harmful to paints or plastics.

Do not bend the blades.

The motor bearings are permanently sealed and do not require additional lubrication.

Service Parts



Number	Part Name
1	Knob
2	Switch box
3	On/Off switch
4	Switch box
5	Motor
6	Rear grille

Number	Part Name
7	Fan blade
8	Metal drum
9	Front grille
10	Washer
11	Knob
12	Stand



Questions, problems, missing parts? Before returning to the store,
call Commercial Electric Customer Service
8 a.m. - 7 p.m., EST, Monday-Friday, 9 a.m. - 6 p.m., EST, Saturday

1-877-527-0313

HOMEDEPOT.COM

Retain this manual for future use.