

**PASSAGE™ 60" x 72" FRAMELESS SHOWER DOOR**

**☐ AM801703400.213 FRAMELESS SHOWER DOOR**

**Product Features:**

- Frameless shower with barn door-type sliding operation
- Coordinates with Passage 60" Custom Shower Walls and Passage 60" shower base
- Clear, 3/8" thick tempered glass for safety
- Easy-to-clean glass helps prevent streaking by sheeting the water to carry away dirt
- Reversible door opening installs with sliding door on left or right
- Aluminum components and stainless steel screws prevent rusting or corrosion
- 24" door opening width
- Out-of-plumb adjustability
- 15" chrome handle for ease of use



**Door Panel Dimensions:**

29-1/2" x 72"  
(749 x 1829mm)

**Fixed Panel Dimensions:**

27-3/4" x 72"  
(705 x 1829mm)

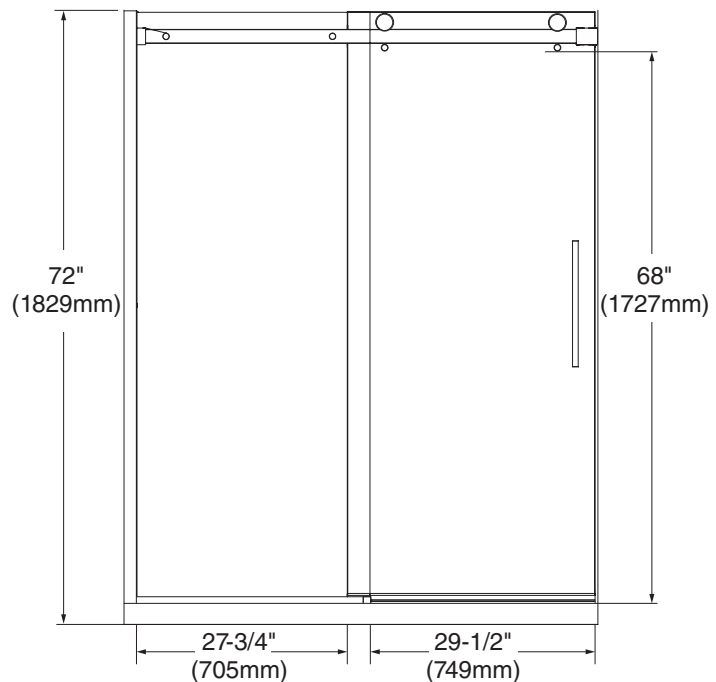
**For use with:**

- A8011T-RHO or A8011T-LHO Passage alcove shower base
- P2971SWT Passage Custom Shower Walls

**Compliance Certifications -**

**Meets or Exceeds the Following Specifications:**

- ANSI Z97.1



**60" x 32" PASSAGE™ CUSTOM SHOWER WALLS**

**P2971SWT**

Take your bathroom from basic to beautiful with the Passage Custom Bathing System. Decorative walls in 5 natural effect finishes provide the perfect alternative to tile.

**Product Features:**

- Elegant textured patterns for an alcove bath space
- High quality laminate mounts over moisture-resistant wall board or sound ceramic tile
- Adhesive and caulk included
- Bull-nosed edges provide an elegant, finished look
- Virtually seamless tongue and groove mating of back wall panels
- Beautiful and stylish alternative to tile
- Customize with coordinating Passage shower base, frameless shower door, shower shelves
- Easily wipes clean using mild soap and a damp cloth

**Nominal Dimensions (Installed):**

60" x 32" x 72"  
(1524 x 813 x 1829mm)

**Wall Set Includes:**

- Four panels of 7/16" (11.5mm) thickness
- Two back wall panels: 29-1/2" w x 72" h (749 x 1829mm)
- Two side wall panels: 31-7/16" w x 72" h (787 x 1829mm)
- Two tubes of adhesive and one tube of color-matched caulk



**To Be Specified - Required:**

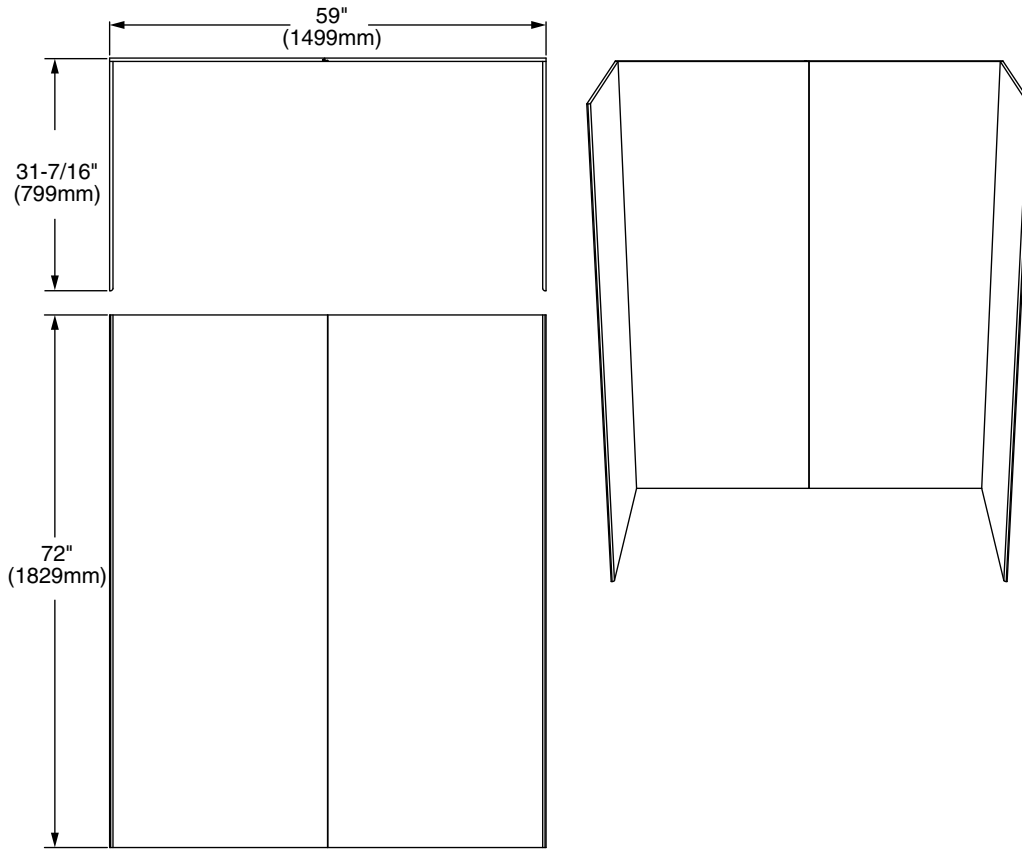
Color pattern choice

- .370 Pewter Travertine
- .371 Powder Marble
- .372 Gray Concrete
- .373 Gray Timber
- .374 Platinum Marble

**To Be Specified - Optional:**

- A8011T-RHO: 60" x 32" x 2-1/4" (1524 x 813 x 57mm)  
Acrylic Shower Base Right Outlet
- A8011T-LHO: 60" x 32" x 2-1/4" (1524 x 813 x 57mm)  
Acrylic Shower Base Left Outlet
- AM801703400.213: 60" x 72" (1524 x 1829mm)  
Frameless Shower Door with Easy-to-Clean™ Clear Glass
- 1202-008.XXX: Corner Shower Shelf-Brushed Metal  
9" x 9" x 3-1/2" (229 x 229 x 89 mm)
- 1202-012.XXX: Shower Shelf-Brushed Metal  
12" x 5" x 3" (305 x 127 x 76 mm)

SEE NEXT PAGE FOR ROUGHING-IN DIMENSIONS  
AND PRODUCT SPECIFICATIONS



**60" x 32" PASSAGE™ SHOWER BASE**

- A8011T-LHO PASSAGE SHOWER BASE**  
Left Hand Drain
- A8011T-RHO PASSAGE SHOWER BASE**  
Right Hand Drain

**Features:**

- Durable acrylic with fiberglass reinforced construction
- Low 2-1/4" threshold height
- Unique and pleasing geometric shape
- Deck platform creates distinct showering and storage spaces
- Integral three-sided, tiling/water retention flange
- End drain outlet
- Textured floor helps prevent slips and falls
- Shower drain not included
- Limited Lifetime warranty

**Nominal Dimensions:**

60" x 32" x 2-1/4"  
(1524 x 813 x 57mm)

**Compliance Certifications -**

**Meets or Exceeds the Following Specifications:**

- CSA B45.5 / IAPMO Z124



**A8011T-LHO SHOWER BASE**  
Left Hand Drain



**A8011T-RHO SHOWER BASE**  
Right Hand Drain

SEE NEXT PAGE FOR ROUGHING-IN DIMENSIONS  
AND PRODUCT SPECIFICATIONS

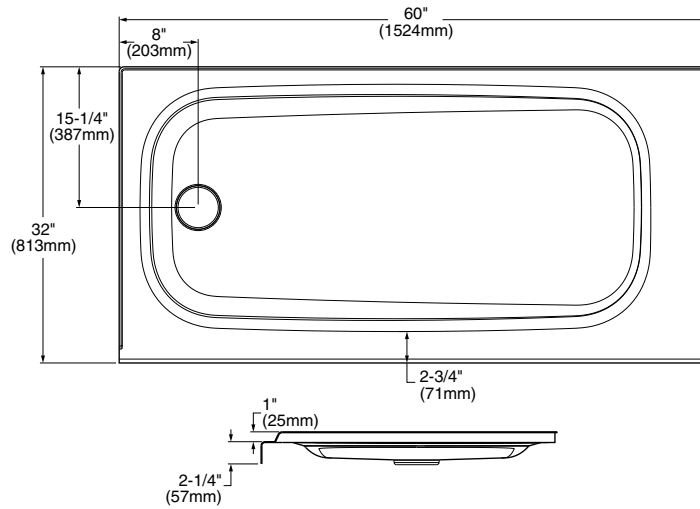
**To Be Specified - Required:**

- Drain: 751819-XXX (specify finish)
- Color: .020 White

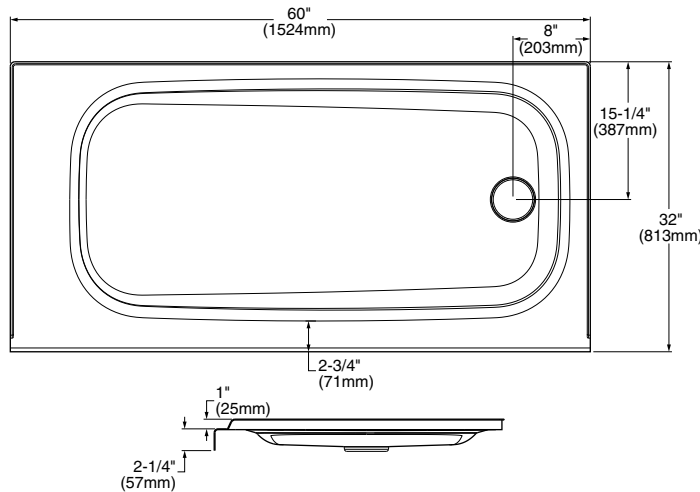
**To Be Specified - Optional:**

- Shower Walls: P2971SWT.XXX
- Shower Door: AM801703400.213 Frameless shower door with Easy-to-Clean clear glass

A8011T-LHO



A8011T-RHO



**GENERAL SPECIFICATIONS FOR A8011T BASE**

INSTALLED SIZE	60 x 32 x 2-1/4 In. (1524 x 813 x 57mm)
WEIGHT	47.5 Lbs. (21.5 Kg)
SHOWER WELL AT SUMP	46-13/16 x 21-1/4 In. (1190 x 539mm)
SHOWER WELL AT RIM	51-3/4 x 27-1/8 In. (1314 x 691mm)
PTS.	1.92
CUBE (FT <sup>3</sup> )	5.27

**NOTES:**

REFER TO INSTALLATION INSTRUCTIONS SUPPLIED WITH PRODUCT FOR ADDITIONAL INFORMATION.

FITTINGS NOT INCLUDED AND MUST BE ORDERED SEPARATELY.

PROVIDE SUITABLE REINFORCEMENT FOR ALL SUPPORTS.

**IMPORTANT:** Dimensions of fixtures are nominal and may vary within the range of tolerances established by ANSI Standard Z124. These measurements are subject to change or cancellation. No responsibility is assumed for use of superseded or voided leaflet.